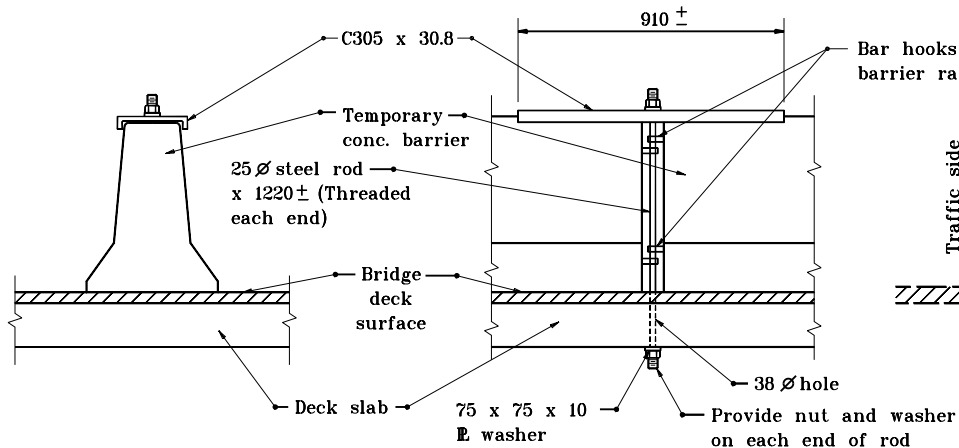


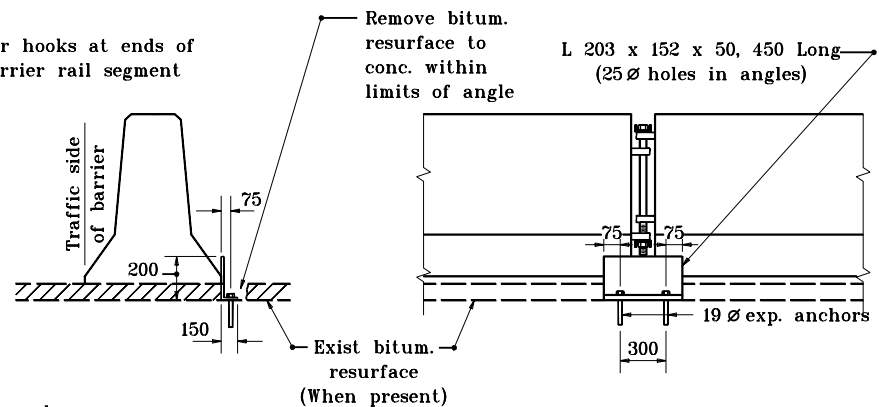
**DETAIL OF BARRIER ANCHORAGE  
ON BITUMINOUS ①**

**GENERAL NOTES**

① When anchoring against lateral movement is specified for temporary concrete barrier located on concrete or bituminous pavement or shoulder, the method of anchoring shall be as shown.



**ALTERNATE METHOD FOR BRIDGE FLOORS**



**STANDARD METHOD FOR BRIDGE  
FLOORS AND CONCRETE PAVEMENT**

**DETAILS OF BARRIER ANCHORAGE ON CONCRETE ①**

All dimensions are in mm unless otherwise specified.

INDIANA DEPARTMENT OF TRANSPORTATION	
<b>TEMPORARY CONCRETE BARRIER</b>	
SEPTEMBER 1997	
STANDARD DRAWING NO. <b>602-TCCB-04</b>	
	/s/ Anthony L. Uremovich 9-01-97 DESIGN STANDARDS ENGINEER DATE
	/s/ Donald W. Lucas 9-01-97 CHIEF HIGHWAY ENGINEER DATE