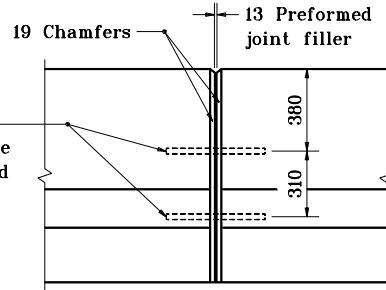
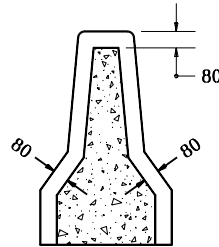
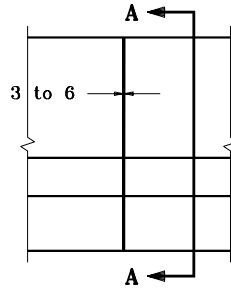


2-30 x 460 \emptyset dowel bars
located on vertical centerline
and coated with an approved
material to break bond.

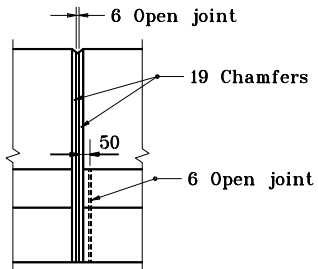


JOINT A

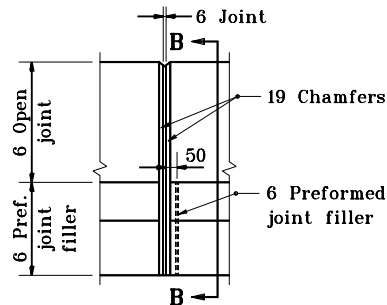


SECTION A-A

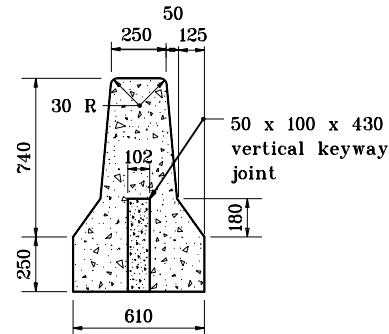
JOINT B



JOINT C



JOINT D



SECTION B-B

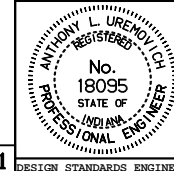
All dimensions are in mm unless otherwise specified.

INDIANA DEPARTMENT OF TRANSPORTATION

CONCRETE MEDIAN BARRIER

JUNE 1996

STANDARD DRAWING NO. **602-CCMB-01**



/s/ Anthony L. Uremovich 6-03-96
DESIGN STANDARDS ENGINEER DATE

/s/ Donald W. Lucas 6-03-96
CHIEF HIGHWAY ENGINEER DATE