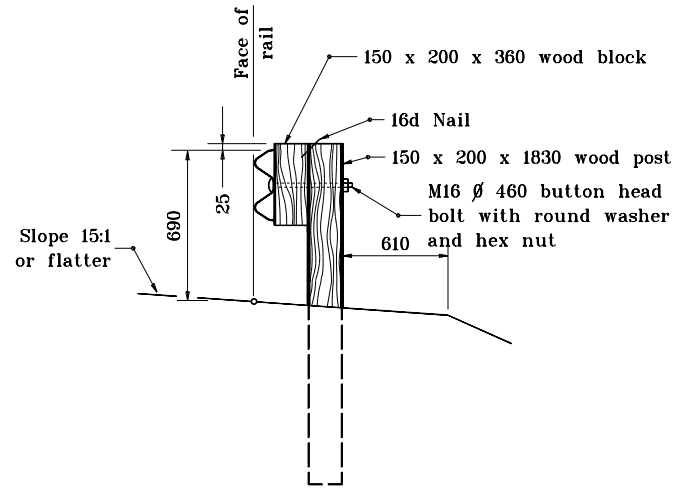
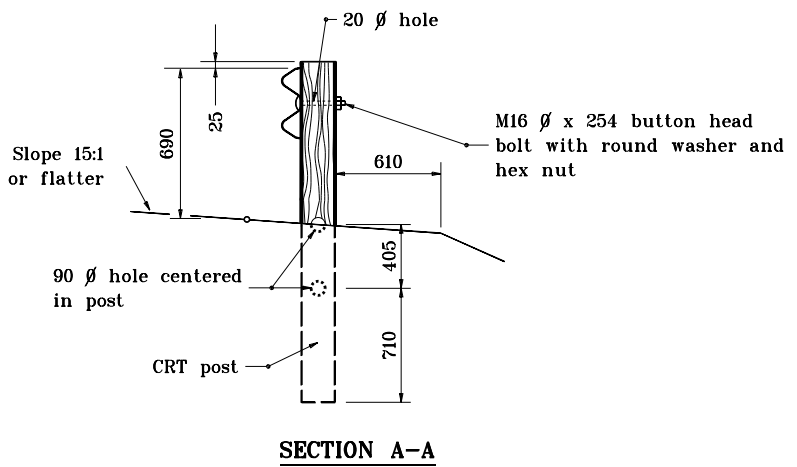


RADIUS	NO. OF CRT POSTS	REQUIRED AREA FREE OF FIXED OBJECTS L x W
2590	5	7620 x 4570
5180	6	9140 x 4570
7770	8	12190 x 6100
10670	11	15240 x 6100

See Standard Drawing 601-CWGS-03 for General Notes.



SECTION B-B

All dimensions are in mm unless otherwise specified.

INDIANA DEPARTMENT OF TRANSPORTATION  
**CURVED W-BEAM  
 GUARDRAIL SYSTEM**  
 MAY 1997  
 STANDARD DRAWING NO. **601-CWGS-02**

ANTHONY L. UREMOWICH  
 REGISTERED PROFESSIONAL ENGINEER  
 No. 18095  
 STATE OF INDIANA

/s/ Anthony L. Uremovich 5-01-97  
 DESIGN STANDARDS ENGINEER DATE

/s/ Donald W. Lucas 5-01-97  
 CHIEF HIGHWAY ENGINEER DATE