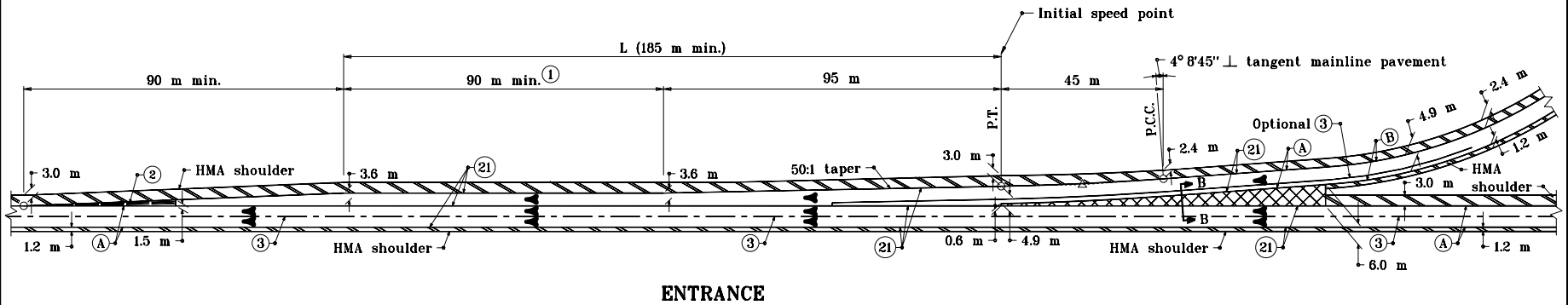


GENERAL NOTES

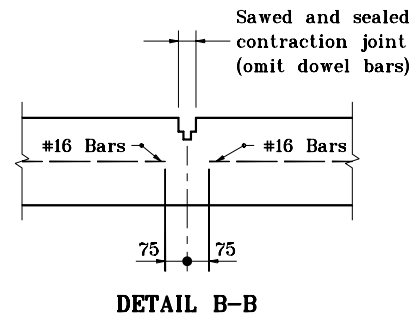
- ① Required additional length of L above the 185 m minimum shall be added to the length of this parallel lane segment. (Example: If required L = 220 m, then this parallel lane segment length = 125 m). See tables on Standard Drawing 401-REBS-04.
- ② Ear construction type A: 2 lines of #16 bars required (Est. mass = 116 kg). Transverse sawed and sealed joint, in line with pavement contraction joint, shall extend through ear construction. The #16 bars shall be discontinued at such joints. See Detail B-B.
- 3. See Standard Drawing 401-REBS-03 for Section B-B.

CURVE DATA

R = 873.188 m
 $\Delta = 3^{\circ}00'00''$
 T = 22.867 m
 L = 45.720 m
 E = 0.299 m



ENTRANCE

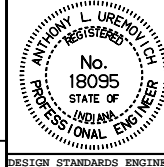


LEGEND

- (A) Pavement type and thickness as specified for the mainline.
- (B) Pavement type and thickness as specified for ramps.
- (4) Longitudinal joint
- (21) Longitudinal construction joint
- HMA shoulder (Thickness of mainline pavement)
- HMA shoulder (Thickness as specified on Typical Sections)

All dimensions are in mm unless otherwise specified.
 INDIANA DEPARTMENT OF TRANSPORTATION
RAMP ENTRANCE TERMINAL
HMA SHOULDER
 JANUARY 1999

STANDARD DRAWING NO. 401-REBS-01



/s/ Anthony L. Uremovich 1-04-99
 DESIGN STANDARDS ENGINEER DATE

/s/ Donald W. Lucas 1-04-99
 CHIEF HIGHWAY ENGINEER DATE