

ENOS WETLAND

SITE NO.	CONTRACT NO.
898	DEL2115208087/E008-317

PIKE COUNTY



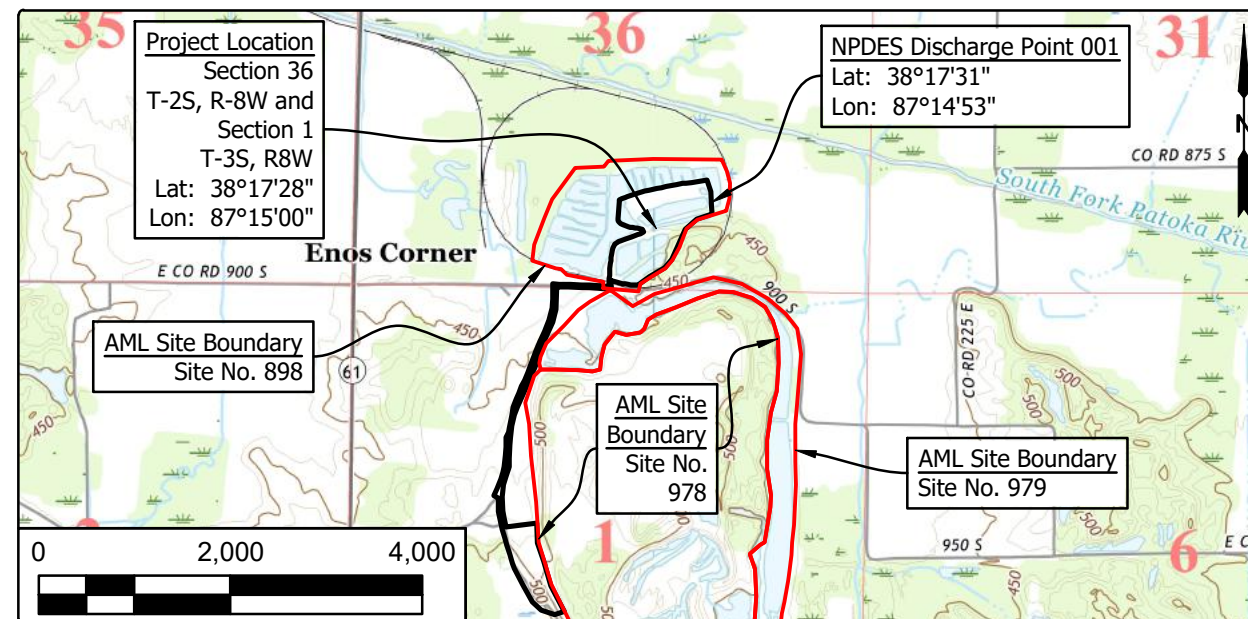
STATE OF INDIANA
INDIANA DEPARTMENT OF NATURAL RESOURCES
DIVISION OF RECLAMATION



ABANDONED COAL MINE
RESTORATION

ENOS WETLAND
SITE 898
CONTRACT DEL2115208087/E008-317
PIKE COUNTY

Remove and replace substrate material in the west treatment cell, stir the substrate material in the east treatment cell, and improve flow in the sediment pond.



Project Location Map
Augusta and Oakland City US TOPO Series Maps (USGS, 2019)

GENERAL NOTES

2010 AML Standard Specifications to be used with these plans.
Plans developed from topographic mapping survey flown in 2008 by Williams Aerial & Mapping, Inc. in NAD 83, Indiana State Plane West, Feet.
An NPDES permit is required for this project.

INDEX

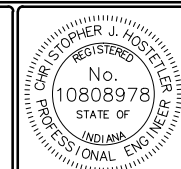
SHEET NO.	SHEET TITLE
1	TITLE, INDEX, & LOCATION MAP
2	SITE MAP
3-4	SITE PLANS
5	DETAILS

UTILITIES

The facilities of the following utilities exist near the project site but are not expected to be affected by the proposed construction. If questions arise, the utility may be contacted using the information below.

ELECTRIC: Duke Energy, Inc. 390 N Main Street Martinsville, IN 46151 (317) 776 - 5341	WATER/SANITARY: Pike-Gibson Water, Inc. 300 N Jackson St. Oakland City, IN 47660 (812) 749 - 4916
NATURAL GAS: Vectren (South) 1800 W. 26th St. Muncie, IN 47302 (765) 287 - 2119	Spurgeon Water Corporation 11440 S State Road 61 Spurgeon, IN 47584 (812) 721 - 2043
TELECOM: Frontier 8001 West Jefferson Blvd Fort Wayne, IN 46804 (260) 461 - 3324	

Call Before You Dig. Indiana Underground Plant Protection Service (IUPPS) 1-800-382-5544 or 811 from your mobile phone.



PLANS PREPARED BY: INDIANA DEPARTMENT OF NATURAL RESOURCES
DIVISION OF RECLAMATION (812) 665-2207
PHONE NUMBER
CERTIFIED BY: *Christopher J. Hostetler* 7/20/2020
DATE
APPROVED FOR LETTING: *[Signature]* 7/31/2020
DATE
DIVISION OF RECLAMATION

SCALE AS NOTED	SHEET 1 OF 5
PROJECT E008-317	SITE 898

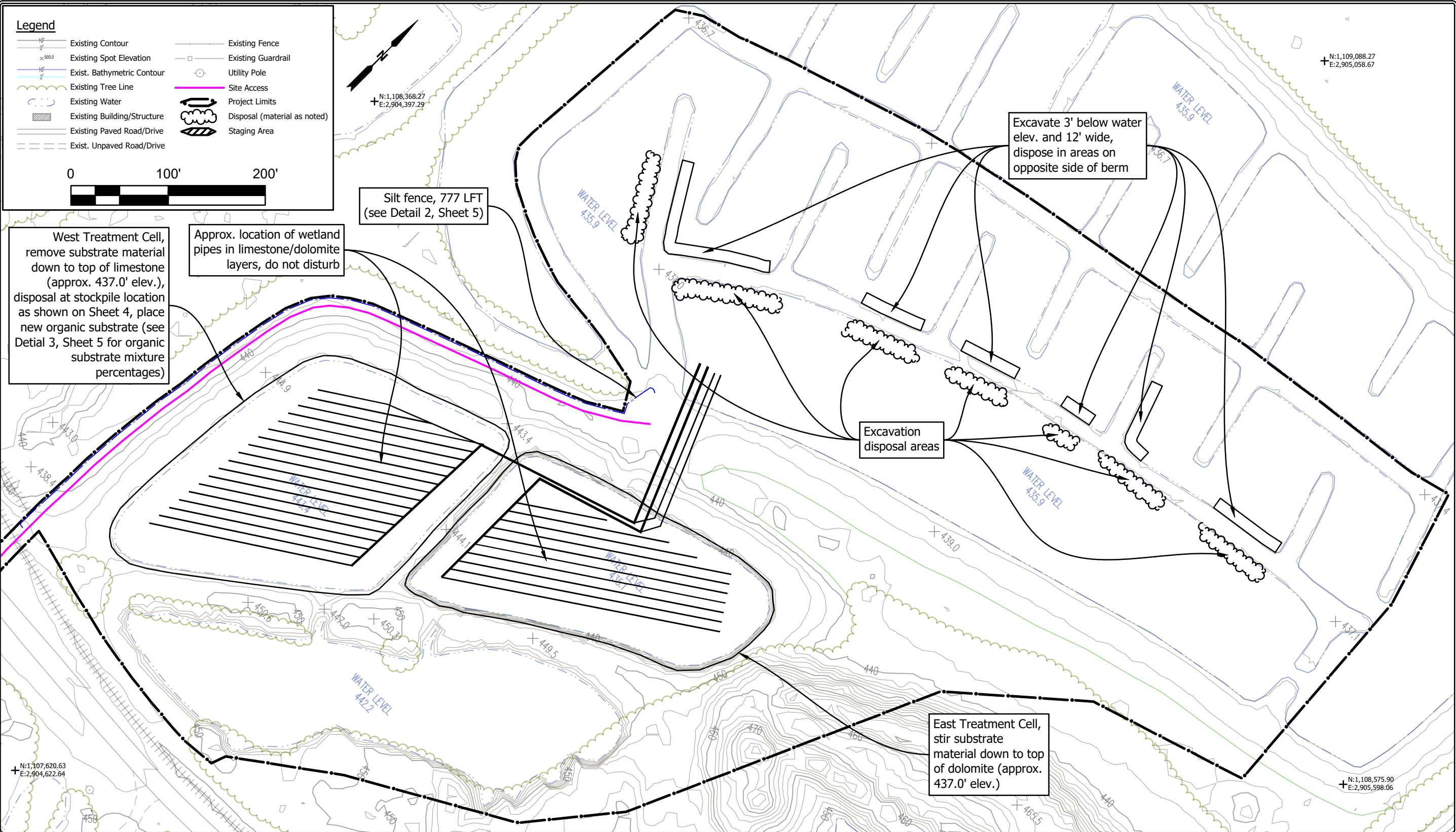


Legend

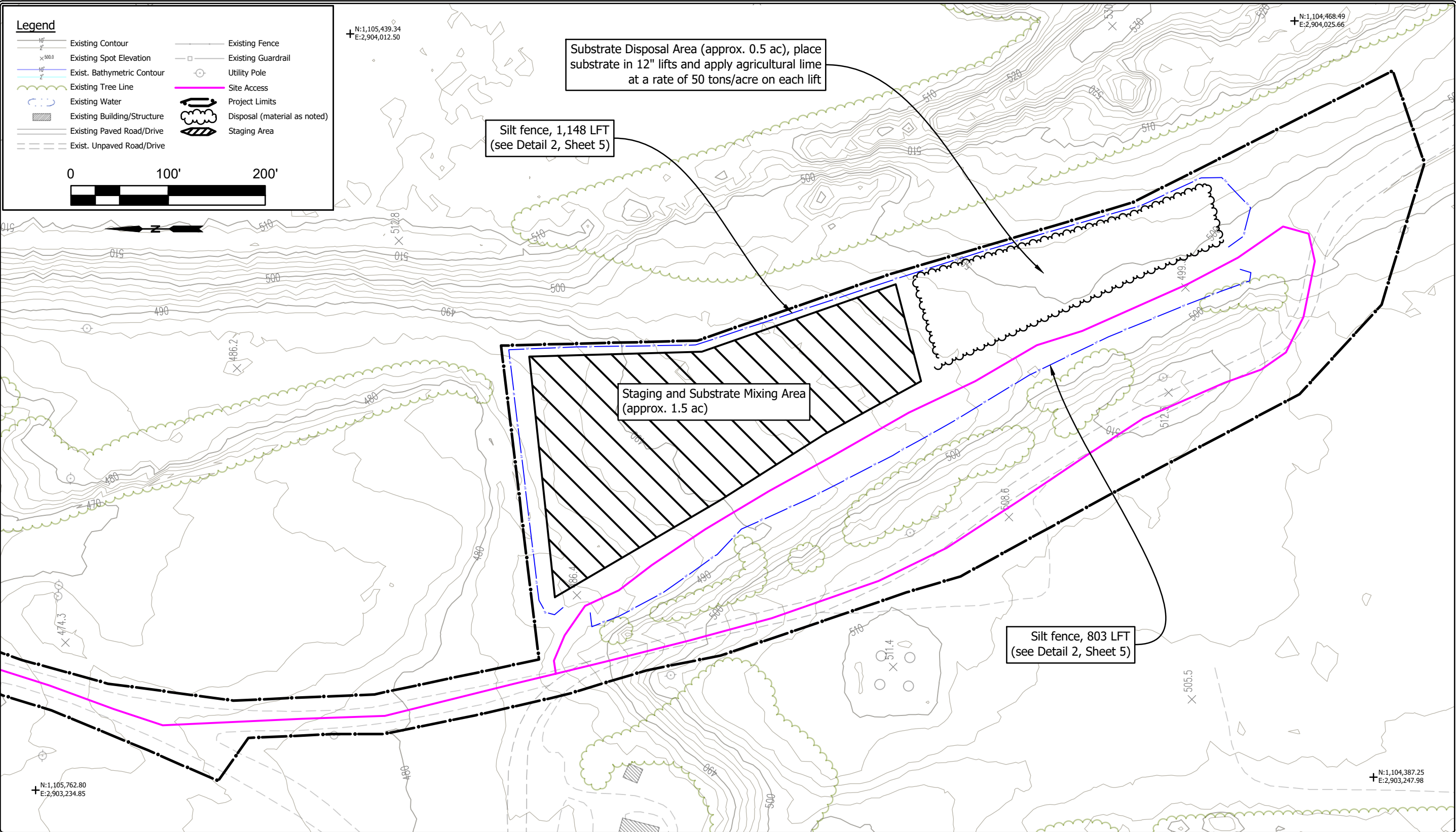
- AML Site Boundary
- Project Limits
- Site Access
- Staging Area
- Sheet Index



	RECOMMENDED FOR APPROVAL: <i>Christopher J. Hostetler</i> 7/20/2020 <small>DATE</small>		DATE MADE 5/13/2020	SITE MAP <small>STATE OF INDIANA</small> DEPARTMENT OF NATURAL RESOURCES <small>DIVISION OF RECLAMATION</small>		SCALE 1" = 300'	SHEET 2 OF 5
	DESIGNED BY C.J.H.	DRAWN BY C.J.H.	DATE REVISED 7/15/2020 11:34:34 AM			PROJECT E008-317	SITE 898



	RECOMMENDED FOR APPROVAL: <i>Christopher J. Hostetler</i> - 7/20/2020 DATE	DATE MADE 5/13/2020	SITE PLAN - TREATMENT CELLS & SEDIMENT POND	SCALE 1" = 100'	SHEET 3 OF 5
	DESIGNED BY C.J.H.	DRAWN BY C.J.H.		DATE REVISED 7/15/2020 11:34:34 AM	PROJECT E008-317
STATE OF INDIANA DEPARTMENT OF NATURAL RESOURCES DIVISION OF RECLAMATION					



Legend

	Existing Contour		Existing Fence
	Existing Spot Elevation		Existing Guardrail
	Exist. Bathymetric Contour		Utility Pole
	Existing Tree Line		Site Access
	Existing Water		Project Limits
	Existing Building/Structure		Disposal (material as noted)
	Existing Paved Road/Drive		Staging Area
	Exist. Unpaved Road/Drive		

0 100' 200'

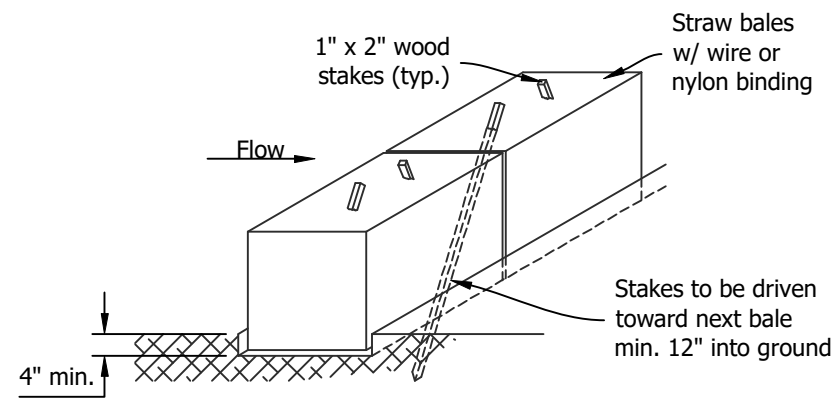
Substrate Disposal Area (approx. 0.5 ac), place substrate in 12" lifts and apply agricultural lime at a rate of 50 tons/acre on each lift

Silt fence, 1,148 LFT (see Detail 2, Sheet 5)

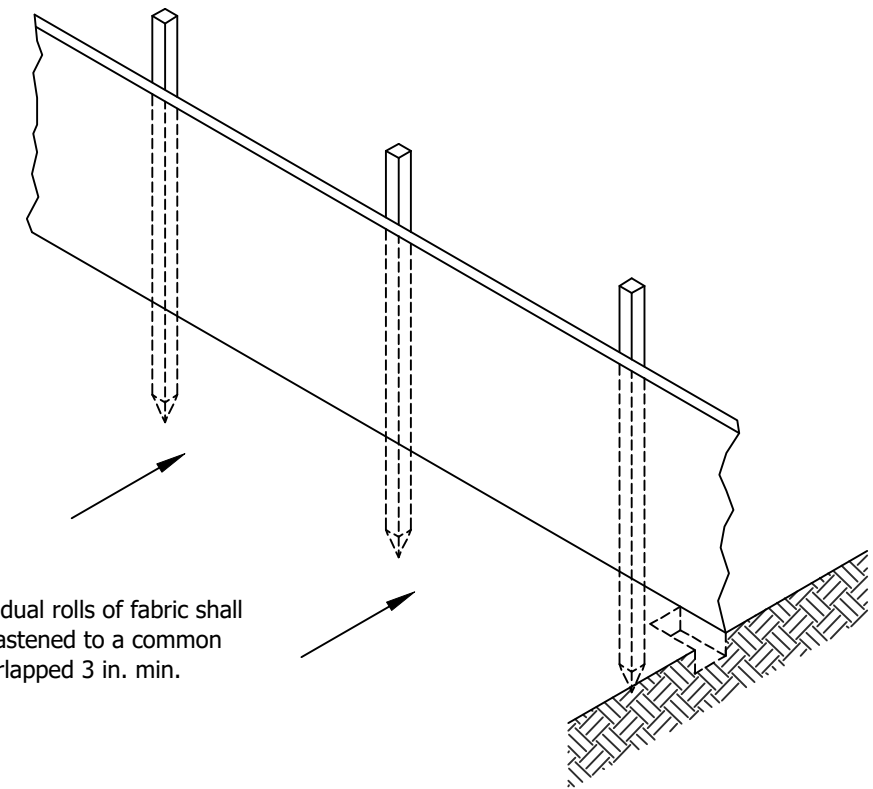
Staging and Substrate Mixing Area (approx. 1.5 ac)

Silt fence, 803 LFT (see Detail 2, Sheet 5)

	RECOMMENDED FOR APPROVAL: <i>Christopher J. Hostetler</i> 7/20/2020 DATE	DATE MADE 5/13/2020	SITE PLAN - STAGING, MIXING, & DISPOSAL AREAS	SCALE 1" = 100'	SHEET 4 OF 5
	DESIGNED BY C.J.H.	DRAWN BY C.J.H.		DATE REVISED 7/15/2020 11:34:34 AM	PROJECT E008-317
STATE OF INDIANA DEPARTMENT OF NATURAL RESOURCES DIVISION OF RECLAMATION					

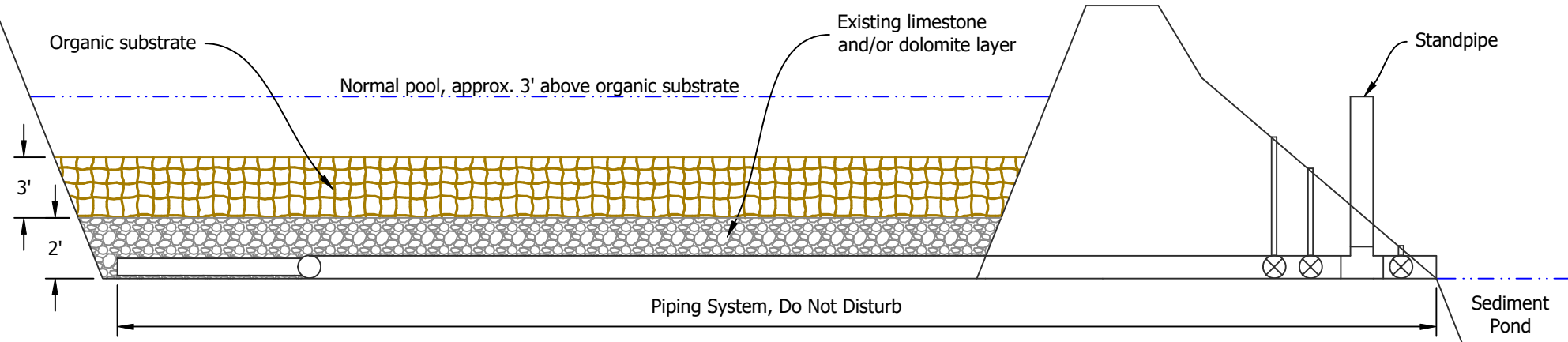


1 Temporary Check Dam, Straw Bale
Not to Scale

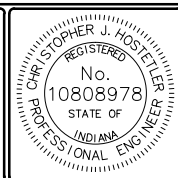


2 Silt Fence
Not to Scale

Notes:
New organic substrate material in the west treatment cell shall consist of a mix by volume of the following materials: 60% wood chips, 10% agricultural lime, 20% straw/hay, and 10% compost.



3 Typical Existing Treatment Cell (from As-builts)
Not to Scale



RECOMMENDED FOR APPROVAL: *Christopher J. Hostetler* 7/20/2020
DATE

DESIGNED BY
C.J.H.

DRAWN BY
C.J.H.

DATE MADE
5/13/2020

DATE REVISED
7/15/2020 11:34:34 AM

DETAILS
STATE OF INDIANA
DEPARTMENT OF NATURAL RESOURCES
DIVISION OF RECLAMATION

SCALE
AS NOTED

PROJECT
E008-317

SHEET
5 OF 5

SITE
898