



RUNDELL ERNSTBERGER ASSOCIATES

origin

INDIANAPOLIS

email | reaindy@reasite.com | internet | www.reasite.com

addendum

Various DNR Properties – ADA Compliant Playground Improvements
IDOA Project #E010-017A

Addendum #3 – January 3, 2018

This addendum is being issued prior to the date for receiving bids.

The modifications, additional data and specifications included herein shall be incorporated into the Project Manual for the above-mentioned project. All other provisions of the Drawings and Specifications shall remain unchanged.

This addendum is issued in accordance with the provisions of Information for Bidders section of the Project Manual. All bids shall be based upon work as modified by this Addendum or Prior Addenda.

Acknowledge receipt of this Addendum on the Bid Form. Failure to do so may subject the bidder to disqualification. This addendum forms a part of the Contract Documents.

GENERAL CLARIFICATIONS & SUPPLEMENTAL INFORMATION

ITEM #1: Written record and/or additional documentation of full compliance with the requirements of the project specification should have been submitted no later than 12:00pm (local Indianapolis time), Wednesday, January 3, 2018 to the Design Consultant for substitution consideration.

For purposes of clarity in response to the several questions to date, please see the following additional General Notes that shall apply to all work at all locations:

ITEM #2: The Contractor shall be responsible for all portions of the work to conform to ADA; therefore, the Contractor shall be responsible for all final grades in the area of work to be in full conformance with ADA including but not limited to ADA parking spaces, access aisles, access pathways, and playground surfaces. If ADA parking space(s) and/or access aisle(s) are indicated in an area of existing pavement that would not comply with the ADA slope requirements; then the contractor shall make it compliant through reconstruction and/or wedging-and-leveling (in the case of asphalt); all pavement work will meet the requirements of the Contract Documents and current INDOT specifications as applicable. All final grades including those that must be ADA compliant shall also maintain positive drainage. The contractor shall transition the ADA parking space(s) and access aisle(s) grades starting at their perimeter edge to meet the existing grades of adjoining pavement at a slope not exceeding 7%.

ITEM #3: In order to accommodate and/or coordinate with final ADA compliant grades, the contractor shall be responsible for avoiding and/or

adjusting the height/location of any utilities, manholes, drain structures, and/or other interfering infrastructure as necessary.

ITEM #4: The contractor shall be responsible to remove any conflicting trees) including grubbing of stump and roots as necessary to install the work complete and in full conformance to the Contract Documents. Contractor shall not remove those trees indicated in a layout plan for protection. Contractor shall seek permission from the Owner prior to cutting any tree.

PHONE, EMAIL, AND PRE-BID MEETING QUESTIONS & ANSWERS

QUESTION #1: *Is prevailing wage required for playground installers?*

ANSWER #1: There are no common construction wage requirements included as part of this project.

QUESTION #2: *Detail 6/C504 shows a 5' diameter by 12' deep dry-well. In general, to provide that design would require a set of equipment that would likely be mobilized for the other work. In addition, we have observed rock in the vicinity of several of the project sites that may limit the depth of excavation. Can the design change to accommodate these conditions?*

ANSWER #2: See revised detail 6/C504. Consult with Project Engineer prior to installation for final location and drywell depth.

QUESTION #3: *There are a few conditions which do not appear to be accurately addressed on the sheet SD-B6 for Turkey Run. These conditions include: the addition of roughly two feet of fill at the existing drinking fountain, removal of a significant tree on the west side of the existing playground, and significant modification to the layout shown for the walkway. How will these issues be addressed?*

ANSWER #3: The contractor shall bid as per layout plan issued for bid for Turkey Run. The contractor shall be responsible for adjusting the height of the drinking fountain to accommodate and coordinate final constructed grades. Final constructed grades shall be as required to meet ADA and/or Contract Document requirements. Contractor shall remove conflicting trees including grubbing of stump and roots as necessary to install the work complete and in full conformance to the Contract Documents.

QUESTION #4: *At Shakamak State Park, Sheet SD208 calls for re-stripping of pavement in an area that is not paved. The area is actually a layer of loose grave*

spread over an old layer of oil and gravel. The drawings do not call for new pavement. Will new pavement be required?

ANSWER #4: Yes, Bidding Contractor shall provide new concrete pavement for extent of proposed parking stalls as detailed per 3/SD501.

QUESTION #5: *On Sheet SD501, Detail 6 and 7 both appear to call for a slope toward the perimeter sub-drain for the compacted #53 layer. This slope appears to contradict level grade clearly shown in all of the cross sections on sheets SD301 and SD302.*

ANSWER #5: Contractor shall construct playground sub-base as detailed on sheet SD301 and SD302. Contractor shall provide positive drainage.

QUESTION #6: *At Starve Hollow State Recreation Area, the proposed access pathway will require new concrete work in close proximity to mature trees as well as the building. The existing asphalt paths manifest impact from tree roots. There will likely be significant "field design" as well as input/review by DNR, for those walkways to be installed in a way that will not conflict with the root system of those trees, but will still be ADA compliant. How shall this be addressed?*

ANSWER #6: Contractor shall remove conflicting trees including grubbing of stump and roots as necessary to install the work complete and in full conformance to the Contract Documents.

QUESTION #7: *It appears that the designated location for the proposed playground and the grades of existing pavement are too steep to be ADA compliant at Deam Lake. The plan calls for construction of adjacent curbs, but do not provide grades. Is this area to be re-built by the Contractor as ADA compliant?*

ANSWER #7: Contractor shall be responsible for all portions of the work to conform to ADA; therefore, Contractor shall be responsible for all final grades in the area of work to be in full conformance with ADA including but not limited to ADA parking space(s) and access aisle(s).

QUESTION #8: *According to the plan, the new 6' wide access pathway will be accessed from the existing sidewalk at Patoka Lake. The existing sidewalk appears to be 48" wide. Please clarify what responsibility the Contractor will or will not have for any modification to the existing walkway.*

ANSWER #8: The existing sidewalk is intended to remain in place. Contractor will not be required to modify the existing walkway as part of this Contract.

QUESTION #9: *According to the plans, the existing play equipment at Patoka Lake is to be protected in place, whereas the play surface and containment band will be redone. There are no grades shown on the plans, and it appears that the border (and the play area) are not level. Have grades been*

checked and verified that a level surface as shown by the plan will work with the current vertical locations of the equipment? What is the responsibility of the Contractor in this matter?

ANSWER #9: Finish grade of play area shall match elevation of play equipment to align with manufacturer's fall height. Contractor shall be required to be make field adjustments as necessary to complete the work in full compliance with the requirements of ADA and the Contract Documents.

QUESTION #10: *It appears that the new parking stalls at Martin State Forest will not have sufficient distance for maneuverability in/out of them, without widening the exiting asphalt drive. Please clarify what will the Contractor's responsibility in this matter.*

ANSWER #10: The Contractor shall not be required to widen the asphalt drive as part of this Contract.

QUESTION #11: *At Potato Creek, will the memorial bench be removed, stored, and re-installed by DNR forces, or will that be the responsibility of the Contractor?*

ANSWER #11: The memorial bench shall be the responsibility of the State.

QUESTION #12: *There is an existing catch basin and storm drain in conflict with the design shown for the parking at Trine State Recreation Area. Will resolution of that conflict be the responsibility of the Contractor?*

ANSWER #12: See Revision to Drawings, sheet SD210. The existing catch basin shall remain in place. Contractor shall protect basin from damage during extent of Work. Contractor shall provide erosion/sediment control measures per the specifications.

QUESTION #13: *At Green-Sullivan State Forest, the layout shown by drawings SD103, and SD203 appears to represent the positions of the existing trees inaccurately. The actual tree positions relative to the shelter structure are different than shown on the plans. Additional tree removals of significant size would be required to accommodate the playground shown.*

ANSWER #13: See Revision to Drawings, sheet SD103. Contractor shall remove conflicting trees including grubbing of stump and roots as necessary to install the work complete and in full conformance to the Contract Documents.

QUESTION #14: *To place a level playground as shown on the layout plan for Green-Sullivan State Forest would necessitate a significant cut slope (nothing is shown on the plan regarding that condition). How should this issue be addressed?*

ANSWER #14: Contractor shall be required to be make field adjustments as necessary to complete the work in full compliance with the requirements of ADA and the Contract Documents.

QUESTION #15: Have existing grades on the pavement designated for accessible parking been checked for compliance with ADA at Green-Sullivan State Forest?

ANSWER #15: No. Information indicated on the plans are based on GIS data and aerial imagery.

QUESTION #16: *For Owen-Putnam, the layout shown on Sheet SD-C5 seems to be based on an obsolete photo. The design does not appear to fit the available area. To fit a playground at this location appears to require a significant modification to the design, substantial tree removal, and the relocation of an existing waterline (not shown on the plan). How should this issue be addressed?*

ANSWER #16: Contractor shall bid as per layout plan as issued for bid for Owen-Putnam. Attached to this Addendum is a map so that the general location of the site within the property is more easily discernable.

QUESTION #17: Specific locations for things such as staging areas, silt fence installation, and concrete washouts have been determined for sites in "Plan Group A". Do you also plan to specify such details for "Plan Group B & C"? If so, when? If not, what is the proposed process for submittal, review, and approval of such matters?

ANSWER #17: Location of erosion/sediment control measures and construction staging areas are shown on the plans for reference only. Final placement shall be determined in the field by the Contractor and subject to approval by the Owner. Erosion control measures shall be in compliance with the requirements of the Specifications and consistent with the standards and best-practices of the industry.

QUESTION #18: At some of the sites, there is currently a posted weight limit on the roads leading to the facilities. In some cases, that limit is well below the weight of a concrete truck. Are those limits seasonal? If so, when would we be able to bring in heavy vehicles? At any of the 20 sites, will gross vehicle weight be limited to less than 32 tons?

ANSWER #18: Weight limits on state-owned properties will be waived for Construction Equipment as part of this Contract except for weight limits that apply to bridges, overpasses, and/ or dam-top roadways within DNR properties which shall not be waived. Any waiver of roadway weight limits shall not relieve contractor of the responsibility for any damage caused to roadway and/ or other pavement during construction. Contractor shall coordinate large deliveries of materials to the site with the property managers.

ANSWER #19: Sheet SD202 calls for the relocation of existing concrete wheel stops at Clark State Forest. The wheel stops are 1' tall, and as such, are not wheel stops. Please clarify what is intended.

ANSWER #19: The concrete barriers shall be salvaged and reset by the Contractor to align with the new layout of parking spaces per the plans.

QUESTION #20: *The plans and specifications call for a 3.5" OD double arch swing. Can a single 5" OD post swing be substituted in lieu of the arch swing?*

QUESTION #20: No. Several other existing playgrounds on state-owned properties feature a double arch swing. The intent is to provide a uniform appearance of play equipment across multiple properties.

QUESTION #21: *Ten (10) of the twelve (12) sites indicated in Plan Groups B & C show a directional arrow within the playground with the label "1%" as if the intent is to sheet flow the surfaces. However, that would contradict the level surfaces clearly shown by the referenced cross-sections shown on Sheet SD301 and SD302.*

ANSWER #21: The Contractor shall construct the playground surface and sub-base as detailed per the cross sections on sheets SD301 and SD302.

QUESTION #22: *Detail 12 on sheet C504 references a concrete foundation with a "1/4-inch wash". Please clarify intent.*

ANSWER #22: Contractor shall provide positive drainage (an approximate 1/4" elevation change) on top surface of foundation away from sign post.

REVISIONS TO THE SPECIFICATIONS

- ITEM #1:** REVISE specification section 321816.13 “Playground Protective Surfacing”, Part 2, Article 2.4 to include the following as approved equals:
- d. Pierceton Rubber Products; 4’x3’x2” Dynacushion Wear Mat (model: R20C4836)
 - e. Playworld Systems; 3’x3’x1.5” Wear Mat (Model: ZZXX0038)

- ITEM #2:** REVISE specification section 116800 “Play Field Equipment and Structures”, Part 2, Article 2.4, Paragraph B, item 1 to include the following:

- 1) Metal Frame: Hot-dip galvanized steel or aluminum pipe or tubing with direct bolt system and finish grade line marking to indicate correct playground safety surfacing level.
 - Ai) Main Frame Posts, Aluminum: Not less than 3 1/2” OD x 1/8” (8 GA) wall thickness.
 - Aii) Main Frame Posts, Steel: Not less than 3 1/2” OD x 13 gauge wall thickness.

- ITEM #3:** REVISE specification section 116800 “Play Field Equipment and Structures”, Part 2, Article 2.6, Paragraph B to include the following:

- B. Steel: Material types, alloys, and forms recommended by the manufacturer for type of use and finish indicated, hot-dip galvanized.
 - a) Minimum tensile strength: 55,000 psi
 - b) Minimum yield strength: 50,000 psi
 - c) Hot-dip galvanized steel shall meet or exceed ASTM A123/A123M, ISO 1461, and all other applicable standards.

REVISIONS TO THE DRAWINGS

- ITEM #1:** REVISE sheet SD103. Revise keynote “E” on the most northeasterly existing tree within proposed playground footprint to be keynote “D”.

- ITEM #2:** REVISE sheet SD201. Revise keynote “C” to keynote “G” for bollards at perimeter of existing drive. Revise keynote “K” to keynote “M” for both western drainage outfalls.

- ITEM #3:** REVISE sheet SD204. All work associated with Patoka Lake shall be performed as part of Alternate #1 ONLY.

- ITEM #4:** REPLACE Sheet SD210 with the attached. Update parking lot layout as part of Alternate #1.

- ITEM #5:** REVISE details 2 & 6/SD302. Maintain existing containment band as indicated.

- ITEM #6:** REVISE detail 3/SD302 to reference concrete perimeter walk as detail 2/SD501.

ITEM #7: REVISE detail 2/SD502. Adjust layout of ADA parking space.

ITEM #8: REVISE detail 5/SD502. Adjust mounting height of sign panel.

ITEM #9: REVISE detail 6/C504. Adjust dimensioning of dry-well.

ATTACHMENTS:

ITEM #1: Sheet SD103 Demolition Plan

ITEM #2: Sheet SD201 Chain O' Lake Layout Plan

ITEM #3: Sheet SD210 Trine State Recreation Area Layout Plan

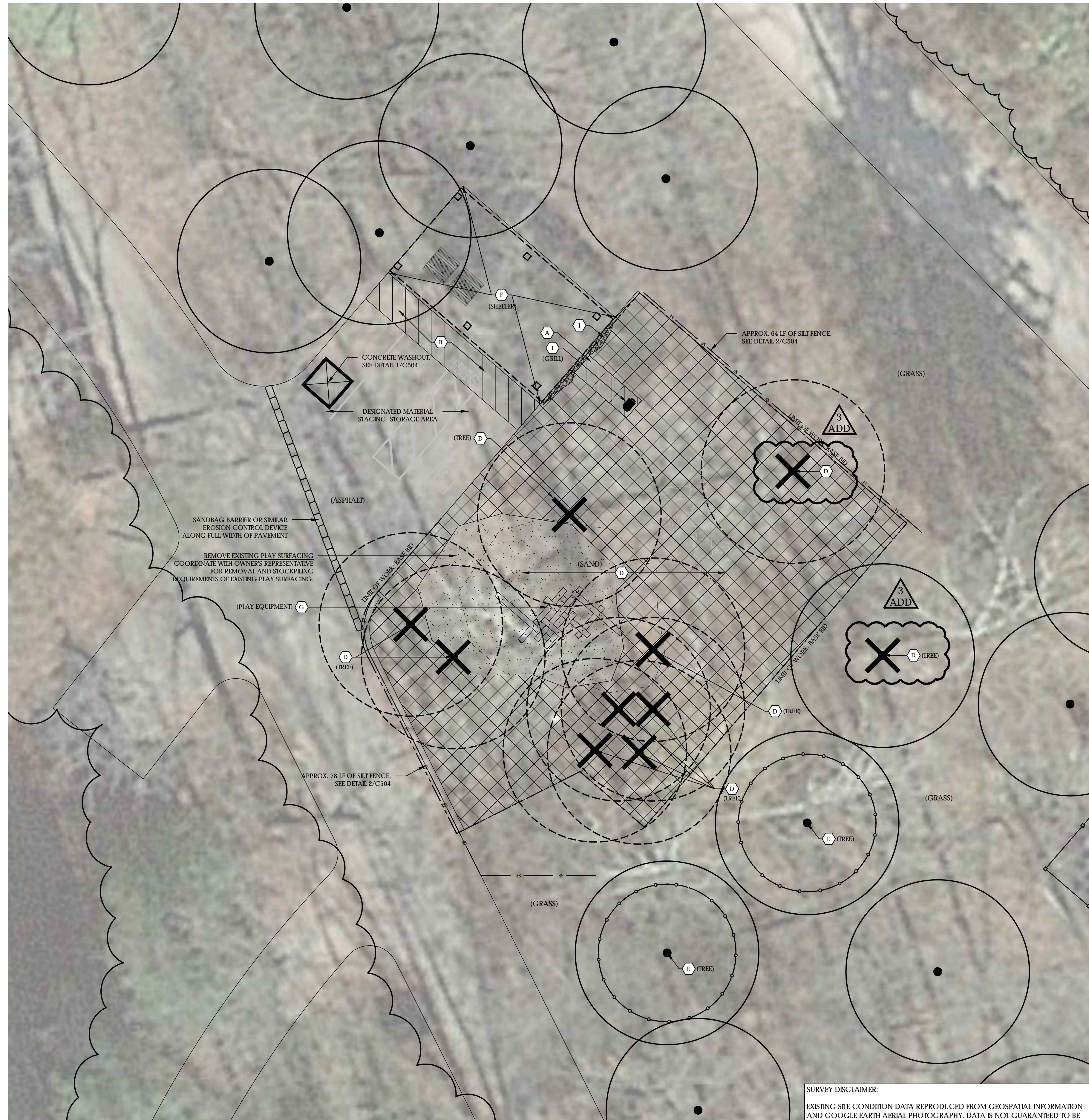
ITEM #4: Sheet SD302 Typical Cross Sections

ITEM #5: Sheet SD502 Site Details

ITEM #6: Sheet C504 Civil Details

ITEM #7: Owen-Putnam State Forest Location Map

END OF ADDENDUM #3



SURVEY DISCLAIMER:
 EXISTING SITE CONDITION DATA REPRODUCED FROM GEOSPATIAL INFORMATION AND GOOGLE EARTH AERIAL PHOTOGRAPHY. DATA IS NOT GUARANTEED TO BE ACCURATE. RUNDELL ERNSTBERGER ASSOCIATES IS NOT RESPONSIBLE FOR POSSIBLE ERRORS, OMISSIONS, MISUSE, OR MISINTERPRETATION OF THE DATA. EXISTING SITE CONDITIONS ARE PREPARED FOR REFERENCE PURPOSES ONLY AND SHOULD NOT BE USED, AND IS NOT INTENDED FOR, SURVEY OR ENGINEERING PURPOSES.

SALVAGE GENERAL NOTES:

- CONTRACTOR SHALL SALVAGE ALL LITTER RECEPTACLES, SIGNS, BOLLARDS, BENCHES, AND OTHER INCIDENTAL ITEMS WITHIN THE PROJECT AREA AND DELIVER TO OWNER'S STORAGE FACILITY OR OTHER LOCATION AS DIRECTED BY THE OWNER. CONTRACTOR IS RESPONSIBLE FOR TRANSPORTING SALVAGED ITEMS TO THE OWNER'S DESIGNATED FACILITIES.

DEMOLITION GENERAL NOTES:

- BIDDING CONTRACTORS SHALL MAKE THEMSELVES FAMILIAR WITH THE CONDITIONS OF THE CURRENT EXISTING CONDITIONS. BIDDING CONTRACTORS MAY MAKE ARRANGEMENTS TO VISIT THE PROJECT SITE AS DEEMED NECESSARY TO FAMILIARIZE THEMSELVES WITH CURRENT CONDITIONS AND THESE PLANNED SITE CONDITIONS.
- THE CONTRACTOR SHALL REPORT IMMEDIATELY TO THE LANDSCAPE ARCHITECT ANY DISCREPANCIES BETWEEN THE EXISTING CONDITIONS SHOWN ON THESE PLANS AND ACTUAL FIELD CONDITIONS. RUNDELL ERNSTBERGER ASSOCIATES, INC. IS NOT RESPONSIBLE FOR THE ACCURACY OF SURVEY INFORMATION AND FIELD-LOCATED EXISTING CONDITIONS.
- THE CONTRACTOR SHALL NOTIFY THE LANDSCAPE ARCHITECT IMMEDIATELY OF ANY DISCREPANCIES BETWEEN THE SPECIFICATIONS, DRAWINGS, AND SITE CONDITIONS, PRIOR TO THE BID DATE AND/OR PRIOR TO CONSTRUCTION.
- THE CONTRACTOR SHALL PROTECT ALL EXISTING BUILDINGS AND SITE ELEMENTS TO REMAIN DURING CONSTRUCTION. THE CONTRACTOR SHALL BE RESPONSIBLE FOR REPAIRING ANY DAMAGE RESULTING FROM CONSTRUCTION ACTIVITY.
- PROTECT ALL EXISTING UTILITIES NOT INDICATED TO BE REMOVED OR ADJUSTED. UNDERGROUND UTILITIES, IF SHOWN, ARE BASED ON ABOVE GROUND INDICATIONS AND CONSTRUCTION DRAWINGS ON FILE AT THE APPROPRIATE UTILITY. THERE IS NO GUARANTEE THAT ALL UNDERGROUND UTILITIES IN SERVICE OR ABANDONED ARE UNDERGROUND UTILITIES ARE SHOWN AS ACCURATELY AS POSSIBLE BUT MAY NOT BE EXACT. NO PHYSICAL UNDERGROUND UTILITY LOCATIONS WERE VERIFIED.
- PROTECT ALL CASTINGS, INLETS, AND UTILITIES (UNLESS NOTED TO BE REMOVED), REPLACE OR RESET TO GRADE AS REQUIRED BY GRADING PLAN.
- THE CONTRACTOR SHALL COORDINATE ALL WORK WITH AFFECTED UTILITIES PRIOR TO THE START OF CONSTRUCTION. THE CONTRACTOR SHALL REPORT IMMEDIATELY TO THE LANDSCAPE ARCHITECT ANY DISCREPANCIES BETWEEN THE EXISTING CONDITIONS SHOWN ON THESE PLANS AND ACTUAL FIELD CONDITIONS.
- THE CONTRACTOR SHALL SMOOTHLY SAWCUT EXISTING PAVEMENTS TO BE REMOVED FROM PAVEMENTS TO REMAIN. ALL SAW CUTS WILL BE TO THE NEAREST JOINT. PAVEMENTS TO REMAIN SHALL BE PROTECTED OR FURTHER REMOVED AS CONSTRUCTION PROGRESSES TO PROVIDE A CLEAN TRANSITION BETWEEN EXISTING AND FINAL WORK OF THIS CONTRACT. REFER TO PLANS FOR SAW CUT LOCATIONS RELATING TO EXISTING JOINTING.
- EVERY EFFORT SHALL BE MADE BY THE CONTRACTOR TO PROTECT EXISTING TREES TO THIS EFFORT SHALL INCLUDE, BUT IS NOT LIMITED TO, INSTALLING TREE PROTECTION FENCING AROUND TREES WITHIN THE AREAS OF CONSTRUCTION ACTIVITY. ALSO REFRAIN FROM PARKING OR MOVING ANY VEHICLES OR EQUIPMENT WITHIN THE DRP LINE OF THE TREES INDICATED TO BE PROTECTED. SEE TREE PROTECTION DETAIL.
- EVERY EFFORT SHALL BE MADE BY THE CONTRACTOR TO SECURE THE CONSTRUCTION SITE AND LIMIT PEDESTRIAN ACCESS INTO DISTURBED AREAS. THIS EFFORT SHALL INCLUDE, BUT IS NOT LIMITED TO, INSTALLING FENCING TO ENCLOSE THE AREAS OF CONSTRUCTION ACTIVITY AND ERECTING TEMPORARY PEDESTRIAN TRAFFIC SIGNAGE. REFER TO SPECIFICATIONS.
- TEMPORARY CONSTRUCTION FENCE MAY NOT BE DRILLED INTO EXISTING PAVEMENTS TO REMAIN. CONTRACTOR SHALL USE TEMPORARY ADA-COMPLIANT FENCE FOOTERS IF NECESSARY.
- THE CONTRACTOR SHALL COORDINATE AND BE RESPONSIBLE FOR THE STAGING AND REMOVAL OF ALL DEMOLITION ITEMS. UNSUITABLE MATERIALS AND FILL ARE TO BE LEGALLY REMOVED FROM THE SITE.
- THE CONTRACTOR SHALL BE RESPONSIBLE FOR DETERMINING QUANTITIES OF REMOVAL USING DRAWINGS AND SPECIFICATIONS.
- EROSION CONTROL MEASURES (I.E. SILT FENCING AND SEDIMENT CONTROL) SHALL BE PROVIDED BY THE CONTRACTOR.
- PROPOSED IMPROVEMENTS ARE SHOWN LIGHTLY FOR REFERENCE. SEE LAYOUT PLAN FOR ADDITIONAL INFORMATION.
- ALL WORK SHALL BE PERFORMED BY BIDDING CONTRACTOR UNLESS NOTED OTHERWISE.
- ALL WORK SHALL BE COORDINATED AND IN COMPLIANCE WITH STATE AND LOCAL MUNICIPALITIES AS WARRANTED.

DEMOLITION KEYNOTES:

- FULL-DEPTH SAW CUT AND REMOVAL OF CONCRETE PAVEMENT AND BASE TO DEPTH NECESSARY TO INSTALL NEW IMPROVEMENTS.
- FULL-DEPTH SAW CUT AND REMOVAL OF ASPHALT PAVEMENT AND BASE TO DEPTH NECESSARY TO INSTALL NEW IMPROVEMENTS.
- SALVAGE EXISTING AGGREGATE TO FOR USE AS SUBBASE FOR PROPOSED PARKING AREA.
- GRUB AND REMOVE ALL VEGETATION. EXCAVATE SOIL TO DEPTH NECESSARY IN ORDER TO INSTALL PROPOSED IMPROVEMENTS. PROTECT ALL UTILITIES, CASTINGS, AND STRUCTURES INDICATED TO REMAIN.
- EXISTING TREE TO REMAIN. INSTALL TREE PROTECTION FENCING AT THE DRIPLINE PRIOR TO CONSTRUCTION. SEE TREE PROTECTION DETAIL.
- ITEM TO REMAIN. PROTECT FROM DAMAGE.
- ITEM TO BE REMOVED BY OWNER PRIOR TO WORK OF THIS CONTRACT.
- ITEM TO BE REMOVED BY CONTRACTOR. REMOVE ANY ASSOCIATE FOUNDATIONS TO MIN. 18" BELOW PROPOSED FINISH GRADE. SEE SPECIFICATIONS FOR ADDITIONAL REQUIREMENTS.
- ITEM TO BE SALVAGED BY CONTRACTOR AND RETURNED TO OWNER. REMOVE ANY ASSOCIATE FOUNDATIONS TO MIN. 18" BELOW PROPOSED FINISH GRADE. SEE SPECIFICATIONS FOR ADDITIONAL REQUIREMENTS.

DEMOLITION LEGEND:

- REMOVE VEGETATION
- REMOVE AGGREGATE
- REMOVAL OF PAVEMENT
- TREE PROTECTION FENCE
- TEMPORARY FENCE
- SILT FENCE

PROJECT LEAD:

RUNDELL ERNSTBERGER ASSOCIATES
 Land Architecture + Urban Design + Land Planning
 618 East Market Street, Indianapolis, IN 46202
 TE [317] 263.0127 FX [317] 263.2080
 611 W Main Street, Suite 201, Louisville, KY 40202
 TE [502] 561.8676 FX [502] 561.9076
 www.reasite.com

PREPARED FOR:
INDIANA DEPARTMENT OF NATURAL RESOURCES
 Matthew Pore, Project Manager
 DIVISION OF ENGINEERING
 Indiana Government Center South
 402 W Washington Street, Room W299
 Indianapolis, Indiana 46204
 PH [317] 234-0176 FX [317] 233.1205

PROJECT:
INDIANA DNR PLAYGROUND SITE DESIGN IMPROVEMENTS
 CHAIN O' LAKES STATE PARK | CLARK STATE FOREST | GREEN-SULLIVAN STATE FOREST | PATOKA LAKE | POKHAGON STATE PARK | SHADIS STATE PARK | SHAKAMAK STATE PARK | TRINE STATE RECREATIONAL AREA
 IDOA PROJECT # E010017

REVISIONS:

NO.	BY	DESCRIPTION	DATE
ADD3	KDK	ADDENDUM #3	01/02/18

COPYRIGHT NOTICE:
 THE CONCEPTS, IDEAS, DESIGNS, PLANS, AND DETAILS AS SHOWN ON THIS DOCUMENT ARE THE SOLE PROPERTY OF RUNDELL ERNSTBERGER ASSOCIATES, AND WERE CREATED, DEVELOPED, AND PRESENTED FOR USE ON THIS SPECIFIC PROJECT. NONE OF THE CONCEPTS, IDEAS, DESIGNS, PLANS, AND DETAILS SHALL BE USED BY ANY PERSON, FIRM, OR CORPORATION FOR ANY PURPOSE WHATSOEVER WITHOUT THE EXPRESS WRITTEN CONSENT OF RUNDELL ERNSTBERGER ASSOCIATES. THE OWNER/CLIENT SHALL BE PERMITTED TO RETAIN COPIES FOR INFORMATION AND REFERENCE IN CONNECTION WITH THIS PROJECT.

DRAWING NAME:
PLAN GROUP A
DEMOLITION PLAN
GREEN-SULLIVAN STATE FOREST

REA Project #: 161448
 Date: 11/28/2017
 Drawn by: KK
 Reviewed by: CK

DRAWING #:
SD103

File: P:\1448 DNR Playgrounds.dwg_sheets\SD103 - Demolition Plan.dwg

1 DEMOLITION PLAN
 SCALE: 1" = 10'

File: P:\1448 DNR Playgrounds.dwg, sheets\SD201 - Layout Plan.dwg



SURVEY DISCLAIMER:

1. SITE LAYOUT DATA, INCLUDING COORDINATE POINTS, IS REPRODUCED FROM GEOSPATIAL INFORMATION AND GOOGLE EARTH AERIAL PHOTOGRAPHY. DATA IS NOT GUARANTEED TO BE ACCURATE. RUNDRELL ERNSTBERGER ASSOCIATES IS NOT RESPONSIBLE FOR POSSIBLE ERRORS, OMISSIONS, MISUSE, OR MISINTERPRETATION OF THE DATA. DRAWINGS ARE PREPARED FOR REFERENCE PURPOSES ONLY AND SHOULD NOT BE USED, AND IS NOT INTENDED FOR SURVEY OR ENGINEERING PURPOSES.
2. REPORT ANY DISCREPANCIES BETWEEN THE PLANS AND FIELD CONDITIONS TO THE OWNER AND LANDSCAPE ARCHITECT IMMEDIATELY. FIELD ADJUSTMENTS WILL BE REQUIRED.

LAYOUT GENERAL NOTES:

1. IF GIVEN, OR UNLESS NOTED OTHERWISE, ALL DIMENSIONS ARE TO THE FOLLOWING: FACE OF WALL, FACE OF BUILDING, FACE OF CURB, EDGE OF PAVEMENT, CENTERLINE OF PAVEMENT, OR CENTER OF LAYOUT POINT.
2. ALL EDGES OF PAVEMENT ARE TO BE STRAIGHT (OR CONSISTENT RADIUS IN THE CASE OF AS SHOWN HEREON; NO UNSPECIFIED TANGENTS OR KINKS WILL BE APPROVED).
3. THE CONTRACTOR SHALL COORDINATE ALL WORK WITH AFFECTED UTILITIES PRIOR TO THE START OF CONSTRUCTION. ALL UTILITIES SHALL BE FIELD LOCATED PRIOR TO THE START OF CONSTRUCTION. ALL UNDERGROUND UTILITIES SHALL BE MAINTAINED AND PROTECTED FROM DAMAGE.
4. ALL WORK SHALL BE COORDINATED AND IN COMPLIANCE WITH FEDERAL, STATE, COUNTY, AND LOCAL MUNICIPALITIES AS WARRANTED. ALL WORK PERFORMED AS PART OF THIS CONTRACT SHALL CONFORM TO INDIANA DEPARTMENT OF TRANSPORTATION (INDOT) STANDARDS.
5. EROSION CONTROL MEASURES (I.E. SILT FENCING, AND SEDIMENT CONTROL) SHALL BE PROVIDED BY THE CONTRACTOR PER THE SPECIFICATIONS. SEE EROSION CONTROL DRAWINGS AND SITE CLEARING SPECIFICATIONS.
6. CONTRACTOR SHALL ERECT CONSTRUCTION FENCING AND BARRICADES ALONG THE CONSTRUCTION LIMIT LINE AS NECESSARY. CONTRACTOR SHALL COORDINATE WITH THE OWNER ON THE FINAL LOCATION OF FENCING, BARRICADES, AND CONSTRUCTION ACCESS POINTS.
7. THE CONTRACTOR SHALL BE RESPONSIBLE FOR REPAIRING ANY DAMAGE RESULTING FROM DEMOLITION OR CONSTRUCTION ACTIVITY TO EXISTING SITE ELEMENTS THAT ARE TO REMAIN. ALL AREAS WHERE THE EXISTING PAVEMENT OR PAVEMENTS ARE DAMAGED DURING CONSTRUCTION FROM HEAVY TRAFFIC OR EQUIPMENT, FUEL OIL, GASOLINE, ETCETERA, BY THE GENERAL CONTRACTOR, SUB-CONTRACTOR, OR SUPPLIERS SHALL BE RECONSTRUCTED TO ITS ORIGINAL CONDITION. THIS RECONSTRUCTION SHALL TAKE PLACE AT THE END OF THE PROJECT CONSTRUCTION OR DURING THE SCHEDULED GRADING AND PAVING OF THOSE AREAS.
8. THE CONTRACTOR SHALL FOLLOW ALL MANUFACTURER'S REQUIREMENTS AND DIRECTIONS FOR INSTALLATION.
9. ALL DIMENSIONS INDICATED ON THE PLANS ARE PARALLEL AND PERPENDICULAR TO THE BASE LINES, PROPERTY LINES, AND OR BUILDING LINES UNLESS NOTED OTHERWISE.
10. PROVIDE A SMOOTH TRANSITION FROM NEWLY PAVED AREAS TO EXISTING AREAS AS NECESSARY.
11. IT IS THE RESPONSIBILITY OF THE CONTRACTOR OR CONTRACTORS TO OBTAIN ALL FEDERAL, STATE, COUNTY, CITY, AND LOCAL PERMITS FOR ANY AND ALL WORK REQUIRED UNLESS OTHERWISE NOTED. THE CONTRACTOR OR CONTRACTORS ARE RESPONSIBLE TO PAY FOR ALL REQUIRED PERMITS BY ANY OR ALL AGENCIES MENTIONED ABOVE UNLESS OTHERWISE NOTED BY THE CONTRACT OR SPECIFICATIONS.

LAYOUT KEYNOTES:

- | | |
|--|---|
| A. CONCRETE PAVEMENT
SEE DETAIL 2/SD501. | J. MEDIUM PLAYGROUND STRUCTURE
SEE DETAIL 2/SD503 AND SPECIFICATIONS. |
| B. HEAVY-DUTY CONCRETE PAVEMENT
SEE DETAIL 3/SD501. | K. PLAYGROUND WEAR MAT
SEE SPECIFICATIONS. |
| C. DETECTABLE WARNING PAVERS
SEE DETAIL 4/SD501. | L. DRYWELL
SEE DETAIL 6/C504. |
| D. ENGINEERED WOOD FIBER PLAY SURFACE
SEE DETAILS 6 & 8/SD501. | M. RIPRAP OUTFALL
SEE DETAIL 7/C504. |
| E. PLAY SURFACE CONTAINMENT BAND
SEE DETAIL 7/SD501. | N. ACCESSIBLE CURB RAMP
SEE DETAIL 3/SD502. |
| F. ACCESSIBLE TRANSITION RAMP
SEE DETAIL 9/SD501 AND 1/SD502. | O. PAVEMENT MARKING, 2" SOLID
DELINEATOR LINE, PAINTED
SEE DETAIL 2/SD502 AND SPECIFICATIONS. |
| G. WOOD BOLLARD
SEE DETAIL 10/SD501. | P. ACCESSIBLE PARKING SIGN
SEE DETAIL 5/SD502. |
| H. FREESTANDING SWING STRUCTURE
SEE DETAIL 10/SD501 AND SPECIFICATIONS. | Q. UNDERDRAIN AT WALK (AS REQ'D)
SEE DETAIL 13/SD501. |
| I. SMALL PLAYGROUND STRUCTURE
SEE DETAIL 1/SD503 AND SPECIFICATIONS. | |

LAYOUT LEGEND:

- | | | | |
|----------|--------------------------|--|---------------------------------|
| PT | POINT OF TANGENCY | | EXISTING TREE |
| V+ | VERTEX | | APPARENT EXTENTS OF WOODED AREA |
| CL | CENTERLINE | | MANHOLE |
| CJ | CONTROL JOINT | | TRANSFORMER |
| EJ | EXPANSION JOINT | | BBQ GRILL |
| --- | CONSTRUCTION LIMIT LINE | | BENCH |
| - - - | EXTENT OF ALTERNATE WORK | | SIGN |
| [P.O.B.] | POINT OF BEGINNING | | TOP OF CURB |
| [M.E.G.] | MATCH EXISTING GRADE | | FLOW LINE |

1 LAYOUT PLAN - CHAIN O' LAKES STATE PARK
SCALE: 1" = 10'

RUNDRELL ERNSTBERGER ASSOCIATES
Land Architecture + Urban Design + Land Planning
618 East Market Street, Indianapolis, IN 46202
TE (317) 263.0127 FX (317) 263.2080
611 W Main Street, Suite 201, Louisville, KY 40202
TE (502) 561.8676 FX (502) 561.9076
www.reasite.com

PREPARED FOR:
INDIANA DEPARTMENT OF NATURAL RESOURCES
Matthew Pore, Project Manager
DIVISION OF ENGINEERING
Indiana Government Center South
402 W Washington Street, Room W299
Indianapolis, Indiana 46204
PH (317) 234-0176 FX (317) 233.1205

INDIANA DNR PLAYGROUND SITE DESIGN IMPROVEMENTS
CHAIN O' LAKES STATE PARK | CLARK STATE FOREST | GREEN-SULLIVAN STATE FOREST | PATOKA LAKE | POKHAGON STATE PARK | SHADES STATE PARK | SHAKAMAK STATE PARK | TRINE STATE RECREATIONAL AREA
IDOA PROJECT # E010017

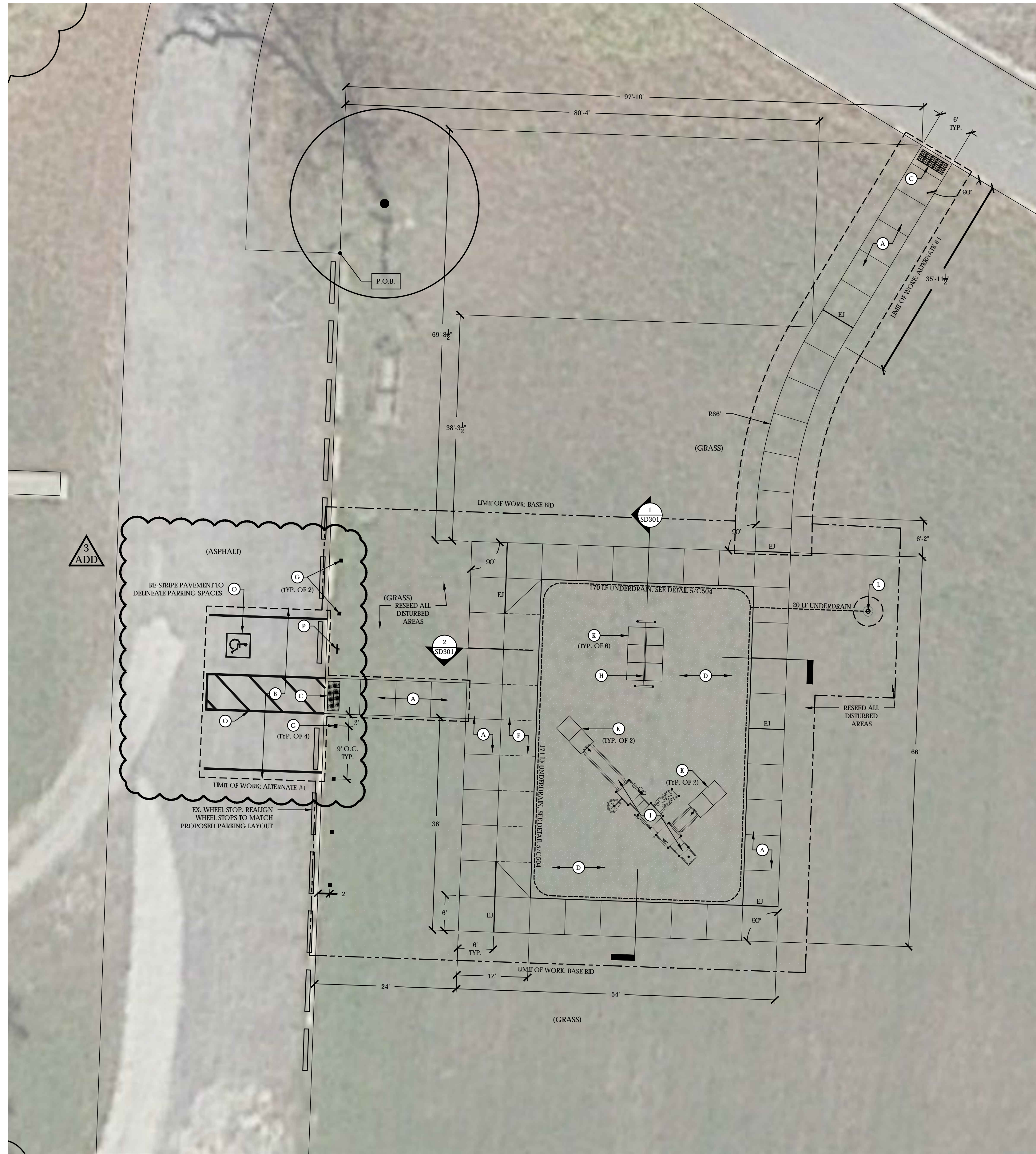
REVISIONS:

NO.	BY	DESCRIPTION	DATE
ADD3	KDK	ADDENDUM #3	01/02/18

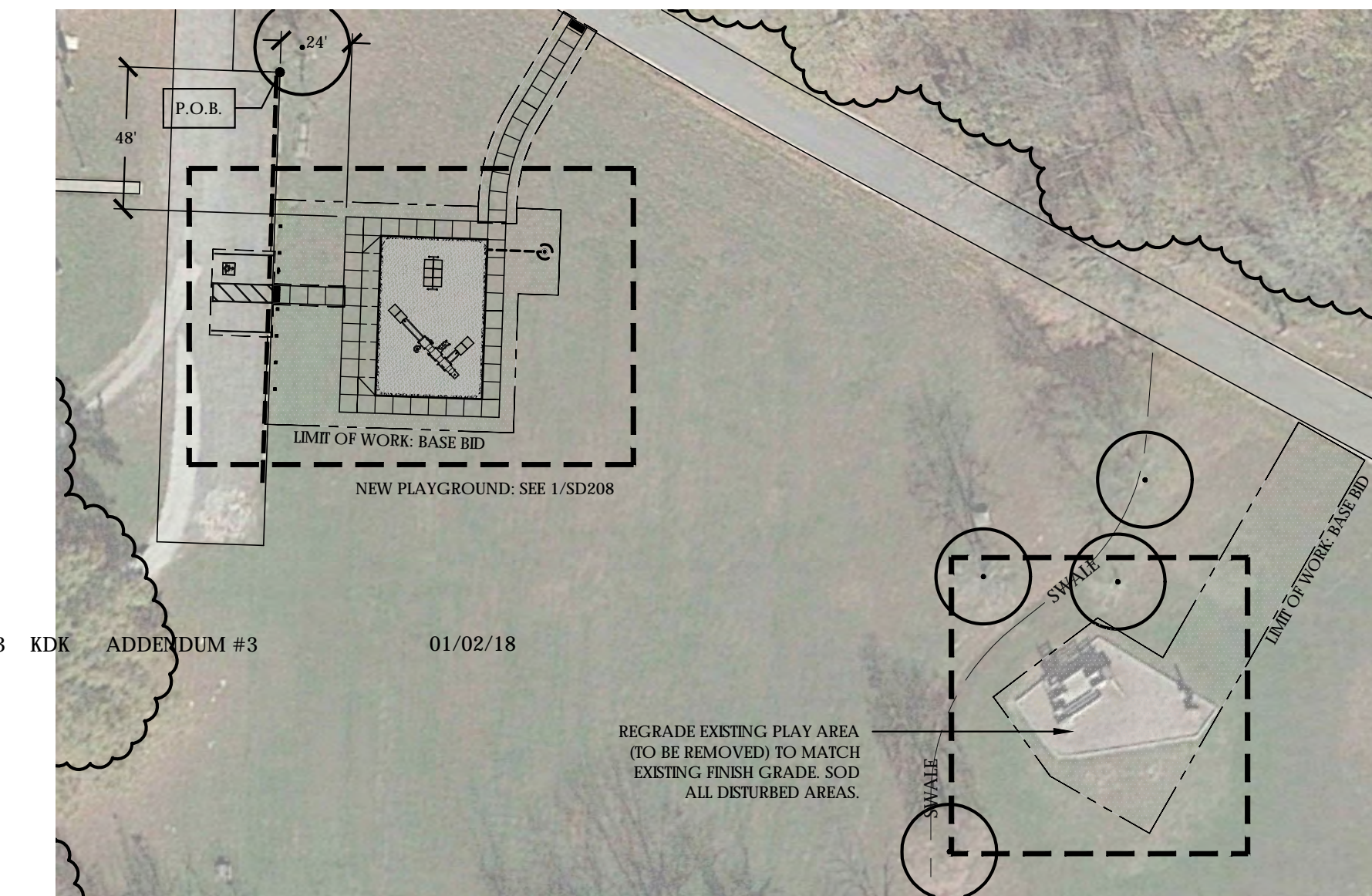
COPYRIGHT NOTICE:
THE CONCEPTS, IDEAS, DESIGNS, PLANS, AND DETAILS AS SHOWN ON THIS DOCUMENT ARE THE SOLE PROPERTY OF RUNDRELL ERNSTBERGER ASSOCIATES, AND WERE CREATED, DEVELOPED, AND PRESENTED FOR USE IN THIS SPECIFIC PROJECT. NO PART OF THE CONCEPTS, IDEAS, DESIGNS, PLANS, AND DETAILS SHALL BE USED BY ANY PERSON, FIRM, OR CORPORATION FOR ANY PURPOSE WHATSOEVER, WITHOUT THE EXPRESS WRITTEN CONSENT OF RUNDRELL ERNSTBERGER ASSOCIATES. THE OWNER/CLIENT SHALL BE FURNISHED WITH RETAIN COPIES FOR INFORMATION AND REFERENCE IN CONNECTION WITH THIS PROJECT.

DRAWING NAME: **PLAN GROUP A CHAIN O' LAKES STATE PARK LAYOUT PLAN**
REDA Project #: 161448
Date: 11/28/2017
Drawn by: KK
Reviewed by: CK
DRAWING #:
SD201

File: P:\1448 DNR Playgrounds.dwg sheets\SD208 - Layout Plan.dwg



2 LAYOUT PLAN - SHAKAMAK STATE PARK
SCALE: 1" = 10'



2 KEY PLAN
SCALE: 1" = 10'

SURVEY DISCLAIMER:

1. SITE LAYOUT DATA, INCLUDING COORDINATE POINTS, IS REPRODUCED FROM GEOSPATIAL INFORMATION AND GOOGLE EARTH AERIAL PHOTOGRAPHY. DATA IS NOT GUARANTEED TO BE ACCURATE. RUNDRELL ERNSTBERGER ASSOCIATES IS NOT RESPONSIBLE FOR POSSIBLE ERRORS, OMISSIONS, MISUSE, OR MISINTERPRETATION OF THE DATA. DRAWINGS ARE PREPARED FOR REFERENCE PURPOSES ONLY AND SHOULD NOT BE USED, AND IS NOT INTENDED FOR SURVEY OR ENGINEERING PURPOSES.
2. REPORT ANY DISCREPANCIES BETWEEN THE PLANS AND FIELD CONDITIONS TO THE OWNER AND LANDSCAPE ARCHITECT IMMEDIATELY. FIELD ADJUSTMENTS WILL BE REQUIRED.

LAYOUT GENERAL NOTES:

1. IF GIVEN, OR UNLESS NOTED OTHERWISE, ALL DIMENSIONS ARE TO THE FOLLOWING: FACE OF WALL, FACE OF BUILDING, FACE OF CURB, EDGE OF PAVEMENT, CENTERLINE OF PAVEMENT, OR CENTER OF LAYOUT POINT.
2. ALL EDGES OF PAVEMENT ARE TO BE STRAIGHT (OR CONSISTENT RADIUS IN THE CASE OF AS SHOWN HEREON; NO UNSPECIFIED TANGENTS OR KINKS WILL BE APPROVED.
3. THE CONTRACTOR SHALL COORDINATE ALL WORK WITH AFFECTED UTILITIES PRIOR TO THE START OF CONSTRUCTION. ALL UTILITIES SHALL BE FIELD LOCATED PRIOR TO THE START OF CONSTRUCTION. ALL UNDERGROUND UTILITIES SHALL BE MAINTAINED AND PROTECTED FROM DAMAGE.
4. ALL WORK SHALL BE COORDINATED AND IN COMPLIANCE WITH FEDERAL, STATE, COUNTY, AND LOCAL MUNICIPALITIES AS WARRANTED. ALL WORK TO BE COMPLETED WITHIN THE RIGHT-OF-WAY SHALL CONFORM TO THE CITY OF BLOOMINGTON STANDARDS.
5. EROSION CONTROL MEASURES (I.E. SILT FENCING, AND SEDIMENT CONTROL) SHALL BE PROVIDED BY THE CONTRACTOR PER THE SPECIFICATIONS. SEE EROSION CONTROL DRAWINGS AND SITE CLEARING SPECIFICATIONS.
6. CONTRACTOR SHALL ERECT CONSTRUCTION FENCING AND BARRICADES ALONG THE CONSTRUCTION LIMIT LINE AS NECESSARY. CONTRACTOR SHALL COORDINATE WITH THE OWNER ON THE FINAL LOCATION OF FENCING, BARRICADES, AND CONSTRUCTION ACCESS POINTS.
7. THE CONTRACTOR SHALL BE RESPONSIBLE FOR REPAIRING ANY DAMAGE RESULTING FROM DEMOLITION OR CONSTRUCTION ACTIVITY TO EXISTING SITE ELEMENTS THAT ARE TO REMAIN. ALL AREAS WHERE THE EXISTING PAVEMENT OR PAVEMENTS ARE DAMAGED DURING CONSTRUCTION FROM HEAVY TRAFFIC OR EQUIPMENT, FUEL OIL, GASOLINE, ETCETERA, BY THE GENERAL CONTRACTOR, SUBCONTRACTOR, OR SUPPLIERS SHALL BE RECONSTRUCTED TO ITS ORIGINAL CONDITION. THIS RECONSTRUCTION SHALL TAKE PLACE AT THE END OF THE PROJECT CONSTRUCTION OR DURING THE SCHEDULED GRADING AND PAVING OF THOSE AREAS.
8. THE CONTRACTOR SHALL FOLLOW ALL MANUFACTURER'S REQUIREMENTS AND DIRECTIONS FOR INSTALLATION.
9. ALL DIMENSIONS INDICATED ON THE PLANS ARE PARALLEL AND PERPENDICULAR TO THE BASE LINES, PROPERTY LINES, AND/OR BUILDING LINES UNLESS NOTED OTHERWISE.
10. PROVIDE A SMOOTH TRANSITION FROM NEWLY PAVED AREAS TO EXISTING AREAS AS NECESSARY.
11. IT IS THE RESPONSIBILITY OF THE CONTRACTOR OR CONTRACTORS TO OBTAIN ALL FEDERAL, STATE, COUNTY, CITY, AND LOCAL PERMITS FOR ANY AND ALL WORK REQUIRED UNLESS OTHERWISE NOTED. THE CONTRACTOR OR CONTRACTORS ARE RESPONSIBLE TO PAY FOR ALL REQUIRED PERMITS BY ANY OR ALL AGENCIES MENTIONED ABOVE UNLESS OTHERWISE NOTED BY THE CONTRACT OR SPECIFICATIONS.

LAYOUT KEYNOTES:

- A. CONCRETE PAVEMENT
SEE DETAIL 2/L501.
- B. HEAVY-DUTY CONCRETE PAVEMENT
SEE DETAIL 3/L501.
- C. DETECTABLE WARNING PAVERS
SEE DETAIL 4/L501.
- D. ENGINEERED WOOD FIBER PLAY SURFACE
SEE DETAILS 6 & 8/L501.
- E. PLAY SURFACE CONTAINMENT BAND
SEE DETAIL 7/L501.
- F. ACCESSIBLE TRANSITION RAMP
SEE DETAIL 9/L501 AND 1/L502.
- G. WOOD BOLLARD
SEE DETAIL 10/L501.
- H. FREESTANDING SWING STRUCTURE
SEE DETAIL 10/L501 AND SPECIFICATIONS.
- I. SMALL PLAYGROUND STRUCTURE
SEE DETAIL 1/L503 AND SPECIFICATIONS.
- J. MEDIUM PLAYGROUND STRUCTURE
SEE DETAIL 2/L503 AND SPECIFICATIONS.
- K. PLAYGROUND WEAR MAT
SEE SPECIFICATIONS.
- L. DRYWELL
SEE DETAIL 6/C504.
- M. RIPRAP OUTFALL
SEE DETAIL 7/C504.
- N. ACCESSIBLE CURB RAMP
SEE DETAIL 3/L502.
- O. ALTERNATE #2: PAVEMENT MARKING,
2" SOLID DELINEATOR LINE, PAINTED,
SEE DETAIL 2/L502 AND SPECIFICATIONS.
- P. ALTERNATE #2: ACCESSIBLE PARKING SIGN
SEE DETAIL 5/L502.
- Q. UNDERDRAIN AT WALK (AS REQ'D)
SEE DETAIL 13/L501.

LAYOUT LEGEND:

PT*	POINT OF TANGENCY		EXISTING TREE
V*	VERTEX		APPARENT EXTENT OF WOODED AREA
CL	CENTERLINE		MANHOLE
CJ	CONTROL JOINT		TRANSFORMER
EJ	EXPANSION JOINT		BBQ GRILL
---	CONSTRUCTION LIMIT LINE		BENCH
- - -	EXTENT OF ALTERNATE WORK		SIGN
P.O.B.	POINT OF BEGINNING		

RUNDRELL ERNSTBERGER ASSOCIATES
Land Architecture + Urban Design + Land Planning
618 East Market Street, Indianapolis, IN 46202
TE [317] 263.0127 FX [317] 263.2080
611 W Main Street, Suite 201, Louisville, KY 40202
TE [502] 561.8676 FX [502] 561.9076
www.reasite.com

PREPARED FOR:
INDIANA DEPARTMENT OF NATURAL RESOURCES
Matthew Pore, Project Manager
DIVISION OF ENGINEERING
Indiana Government Center South
402 W Washington Street, Room W299
Indianapolis, Indiana 46204
PH [317] 234-0176 FX [317] 233.1205

INDIANA DNR PLAYGROUND SITE DESIGN IMPROVEMENTS
CHAIN O' LAKES STATE PARK | CLARK STATE FOREST | GREEN-SULLIVAN STATE FOREST | PATOKA LAKE | POKHAGON STATE PARK | SHADES STATE PARK | SHAKAMAK STATE PARK | TRINE STATE RECREATIONAL AREA
IDOA PROJECT # E010017

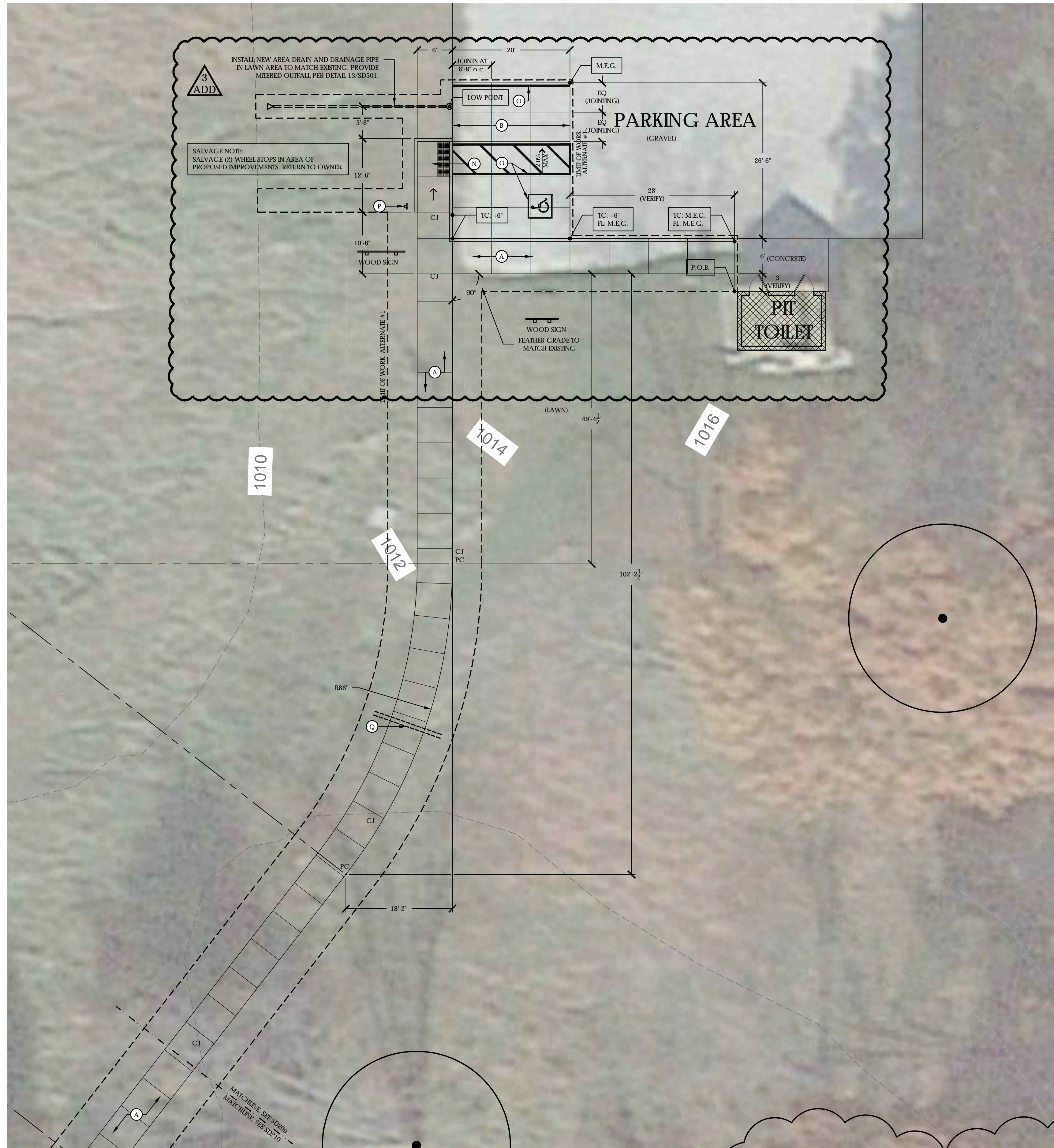
REVISIONS:

NO.	BY	DESCRIPTION	DATE

COPYRIGHT NOTICE:
THE CONCEPTS, IDEAS, DESIGN, PLANS, AND DETAILS AS SHOWN ON THIS DOCUMENT ARE THE SOLE PROPERTY OF RUNDRELL ERNSTBERGER ASSOCIATES, AND WERE CREATED, DEVELOPED, AND PRESENTED FOR USE ON THIS SPECIFIC PROJECT. NONE OF THE CONCEPTS, IDEAS, DESIGN, PLANS, AND DETAILS SHALL BE USED BY ANY PERSON, FIRM, OR CORPORATION FOR ANY PURPOSE WHATSOEVER, WITHOUT THE WRITTEN CONSENT OF RUNDRELL ERNSTBERGER ASSOCIATES. THE OWNER/CLIENT SHALL BE FURNISHED WITH REVISION COPIES FOR INFORMATION AND REFERENCE IN CONNECTION WITH THIS PROJECT.

DRAWING NAME: **PLAN GROUP A SHAKAMAK STATE PARK LAYOUT PLAN**
REA Project #: 161448
Date: 11/28/2017
Drawn by: KK
Reviewed by: CK
DRAWING #:
SD208

File: P:\1448 DNR Playgrounds.dwg_sheets\SD209-210 - Layout Plan.dwg



SURVEY DISCLAIMER:

1. SITE LAYOUT DATA, INCLUDING COORDINATE POINTS, IS REPRODUCED FROM GEOSPATIAL INFORMATION AND GOOGLE EARTH AERIAL PHOTOGRAPHY. DATA IS NOT GUARANTEED TO BE ACCURATE. RUNDELL ERNSTBERGER ASSOCIATES IS NOT RESPONSIBLE FOR POSSIBLE ERRORS, OMISSIONS, MISUSE, OR MISINTERPRETATION OF THE DATA. DRAWINGS ARE PREPARED FOR REFERENCE PURPOSES ONLY AND SHOULD NOT BE USED, AND IS NOT INTENDED FOR SURVEY OR ENGINEERING PURPOSES.
2. REPORT ANY DISCREPANCIES BETWEEN THE PLANS AND FIELD CONDITIONS TO THE OWNER AND LANDSCAPE ARCHITECT IMMEDIATELY. FIELD ADJUSTMENTS WILL BE REQUIRED.

LAYOUT GENERAL NOTES:

1. IF GIVEN, OR UNLESS NOTED OTHERWISE, ALL DIMENSIONS ARE TO THE FOLLOWING: FACE OF WALL, FACE OF BUILDING, FACE OF CURB, EDGE OF PAVEMENT, CENTERLINE OF PAVEMENT, OR CENTER OF LAYOUT POINT.
2. ALL EDGES OF PAVEMENT ARE TO BE STRAIGHT (OR CONSISTENT RADIUS IN THE CASE OF AS SHOWN HEREON; NO UNSPECIFIED TANGENTS OR KINKS WILL BE APPROVED).
3. THE CONTRACTOR SHALL COORDINATE ALL WORK WITH AFFECTED UTILITIES PRIOR TO THE START OF CONSTRUCTION. ALL UTILITIES SHALL BE FIELD LOCATED PRIOR TO THE START OF CONSTRUCTION. ALL UNDERGROUND UTILITIES SHALL BE MAINTAINED AND PROTECTED FROM DAMAGE.
4. ALL WORK SHALL BE COORDINATED AND IN COMPLIANCE WITH FEDERAL, STATE, COUNTY, AND LOCAL MUNICIPALITIES AS WARRANTED. ALL WORK PERFORMED AS PART OF THIS CONTRACT SHALL CONFORM TO INDIANA DEPARTMENT OF TRANSPORTATION (INDOT) STANDARDS.
5. EROSION CONTROL MEASURES (I.E. SILT FENCING, AND SEDIMENT CONTROL) SHALL BE PROVIDED BY THE CONTRACTOR PER THE SPECIFICATIONS. SEE EROSION CONTROL DRAWINGS AND SITE CLEARING SPECIFICATIONS.
6. CONTRACTOR SHALL ERECT CONSTRUCTION FENCING AND BARRICADES ALONG THE CONSTRUCTION LIMIT LINE AS NECESSARY. CONTRACTOR SHALL COORDINATE WITH THE OWNER ON THE FINAL LOCATION OF FENCING, BARRICADES, AND CONSTRUCTION ACCESS POINTS.
7. THE CONTRACTOR SHALL BE RESPONSIBLE FOR REPAIRING ANY DAMAGE RESULTING FROM DEMOLITION OR CONSTRUCTION ACTIVITY TO EXISTING SITE ELEMENTS THAT ARE TO REMAIN. ALL AREAS WHERE THE EXISTING PAVEMENT OR PAVEMENTS ARE DAMAGED DURING CONSTRUCTION FROM HEAVY TRAFFIC OR EQUIPMENT, FUEL OIL, GASOLINE, ETCETERA, BY THE GENERAL CONTRACTOR, SUB-CONTRACTOR, OR SUPPLIERS SHALL BE RECONSTRUCTED TO ITS ORIGINAL CONDITION. THIS RECONSTRUCTION SHALL TAKE PLACE AT THE END OF THE PROJECT CONSTRUCTION OR DURING THE SCHEDULED GRADING AND PAVING OF THOSE AREAS.
8. THE CONTRACTOR SHALL FOLLOW ALL MANUFACTURER'S REQUIREMENTS AND DIRECTIONS FOR INSTALLATION.
9. ALL DIMENSIONS INDICATED ON THE PLANS ARE PARALLEL AND PERPENDICULAR TO THE BASE LINES, PROPERTY LINES, AND OR BUILDING LINES UNLESS NOTED OTHERWISE.
10. PROVIDE A SMOOTH TRANSITION FROM NEWLY PAVED AREAS TO EXISTING AREAS AS NECESSARY.
11. IT IS THE RESPONSIBILITY OF THE CONTRACTOR OR CONTRACTORS TO OBTAIN ALL FEDERAL, STATE, COUNTY, CITY, AND LOCAL PERMITS FOR ANY AND ALL WORK REQUIRED UNLESS OTHERWISE NOTED. THE CONTRACTOR OR CONTRACTORS ARE RESPONSIBLE TO PAY FOR ALL REQUIRED PERMITS BY ANY OR ALL AGENCIES MENTIONED ABOVE UNLESS OTHERWISE NOTED BY THE CONTRACT OR SPECIFICATIONS.

LAYOUT KEYNOTES:

- | | |
|--|---|
| A. CONCRETE PAVEMENT
SEE DETAIL 2/SD501. | J. MEDIUM PLAYGROUND STRUCTURE
SEE DETAIL 2/SD503 AND SPECIFICATIONS. |
| B. HEAVY-DUTY CONCRETE PAVEMENT
SEE DETAIL 3/SD501. | K. PLAYGROUND WEAR MAT
SEE SPECIFICATIONS. |
| C. DETECTABLE WARNING PAVERS
SEE DETAIL 4/SD501. | L. DRYWELL
SEE DETAIL 6/C504. |
| D. ENGINEERED WOOD FIBER PLAY SURFACE
SEE DETAILS 6 & 8/SD501. | M. RIPRAP OUTFALL
SEE DETAIL 7/C504. |
| E. PLAY SURFACE CONTAINMENT BAND
SEE DETAIL 7/SD501. | N. ACCESSIBLE CURB RAMP
SEE DETAIL 3/SD502. |
| F. ACCESSIBLE TRANSITION RAMP
SEE DETAIL 9/SD501 AND 1/SD502. | O. PAVEMENT MARKING, 2" SOLID
DELINEATOR LINE, PAINTED
SEE DETAIL 2/SD502 AND SPECIFICATIONS. |
| G. WOOD BOLLARD
SEE DETAIL 10/SD501. | P. ACCESSIBLE PARKING SIGN
SEE DETAIL 5/SD502. |
| H. FREESTANDING SWING STRUCTURE
SEE DETAIL 10/SD501 AND SPECIFICATIONS. | Q. UNDERDRAIN AT WALK (AS REQ'D)
SEE DETAIL 13/SD501. |
| I. SMALL PLAYGROUND STRUCTURE
SEE DETAIL 1/SD503 AND SPECIFICATIONS. | |

LAYOUT LEGEND:

- | | | | |
|----------|--------------------------|----|---------------------------------|
| PT | POINT OF TANGENCY | | EXISTING TREE |
| V+ | VERTEX | | APPARENT EXTENTS OF WOODED AREA |
| CL | CENTERLINE | | MANHOLE |
| CJ | CONTROL JOINT | | TRANSFORMER |
| EJ | EXPANSION JOINT | | BBQ GRILL |
| --- | CONSTRUCTION LIMIT LINE | | BENCH |
| --- | EXTENT OF ALTERNATE WORK | | SIGN |
| [P.O.B.] | POINT OF BEGINNING | TC | TOP OF CURB |
| [M.E.G.] | MATCH EXISTING GRADE | FL | FLOW LINE |

1 LAYOUT PLAN - TRINE STATE RECREATIONAL AREA
SCALE: 1" = 10'

RUNDELL ERNSTBERGER ASSOCIATES
Land Architecture + Urban Design + Land Planning
618 East Market Street, Indianapolis, IN 46202
TE [317] 263.0127 FX [317] 263.2080
611 W Main Street, Suite 201, Louisville, KY 40202
TE [502] 561.8676 FX [502] 561.9076
www.reasite.com

PREPARED FOR:
INDIANA DEPARTMENT OF NATURAL RESOURCES
Matthew Pore, Project Manager
DIVISION OF ENGINEERING
Indiana Government Center South
402 W Washington Street, Room W299
Indianapolis, Indiana 46204
PH [317] 234-0176 FX [317] 233.1205

INDIANA DNR PLAYGROUND SITE DESIGN IMPROVEMENTS
CHAIN O' LAKES STATE PARK | CLARK STATE FOREST | GREEN-SULLIVAN STATE FOREST | PATOKA LAKE | POKHAGON STATE PARK | SHADES STATE PARK | SHAKAMAK STATE PARK | TRINE STATE RECREATIONAL AREA
IDOA PROJECT # E010017

REVISIONS:			
NO.	BY	DESCRIPTION	DATE
ADD3	KDK	ADDENDUM #3	01/02/18

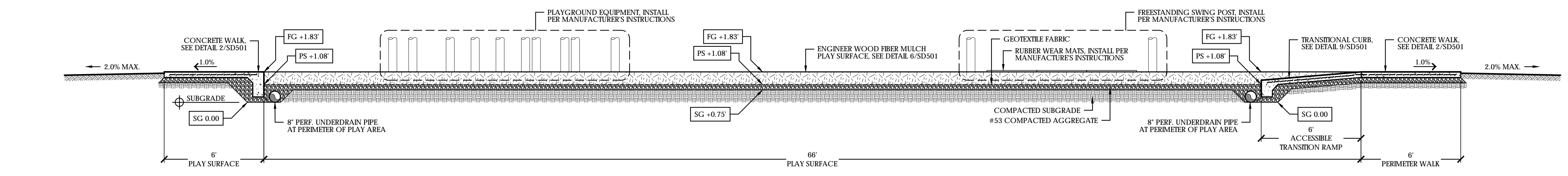
COPYRIGHT NOTICE:
THE CONCEPTS, IDEAS, DESIGNS, PLANS, AND DETAILS AS SHOWN ON THIS DOCUMENT ARE THE SOLE PROPERTY OF RUNDELL ERNSTBERGER ASSOCIATES, AND WERE CREATED, DEVELOPED, AND PRESENTED FOR USE ON THIS SPECIFIC PROJECT. NO PART OF THE CONCEPTS, IDEAS, DESIGNS, PLANS, AND DETAILS SHALL BE USED BY ANY PERSON, FIRM, OR CORPORATION FOR ANY PURPOSE WHATSOEVER, WITHOUT THE EXPRESS WRITTEN CONSENT OF RUNDELL ERNSTBERGER ASSOCIATES. THE OWNER/CLIENT SHALL BE PERMITTED TO RETAIN COPIES FOR INFORMATION AND REFERENCE IN CONNECTION WITH THIS PROJECT.

DRAWING NAME: **PLAN GROUP A TRINE STATE RECREATION AREA LAYOUT PLAN**

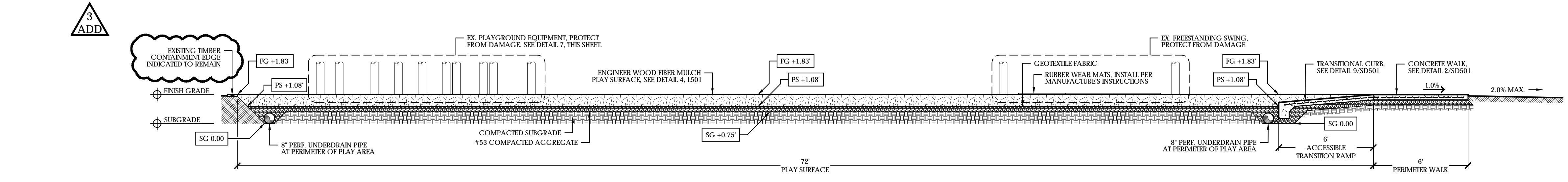
REA Project #:	161448
Date:	11/28/2017
Drawn by:	KK
Reviewed by:	CK
DRAWING #:	SD210

GENERAL NOTE
 DETAILS SHOWN ON THIS SHEET ARE TO CONVEY DESIGN INTENT ONLY. FIELD ADJUSTMENT WILL BE REQUIRED. FINAL LAYOUT STAKING TO BE REVIEWED AND APPROVED BY LANDSCAPE ARCHITECT PRIOR TO BEGINNING OF CONSTRUCTION.

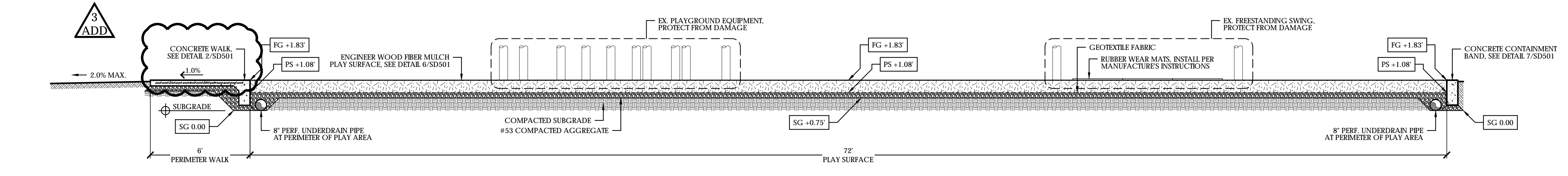
LEGEND
 FG +x.xx FINISH GRADE
 PS +x.xx BOTTOM DEPTH OF PLAY SURFACE
 SG +x.xx SUBGRADE



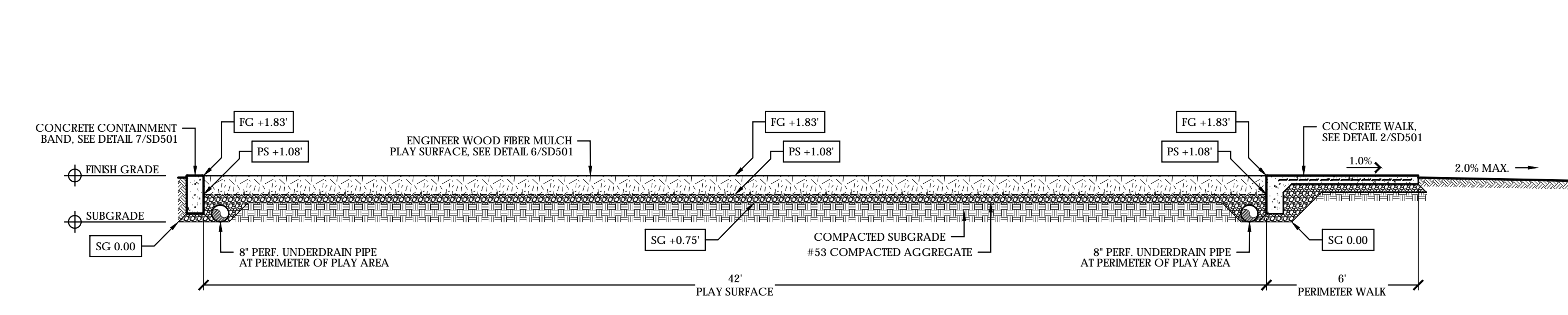
1 MEDIUM PLAYGROUND PROTOTYPE - LONGITUDINAL SECTION
 SCALE: 1/4" = 1'-0"



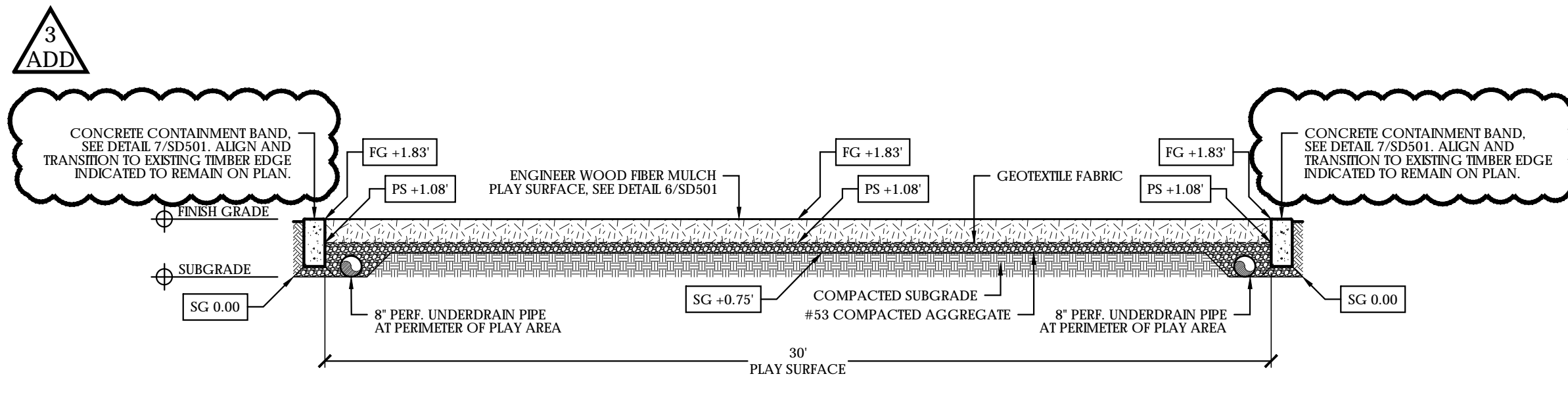
2 POKAGON PLAYGROUND - LONGITUDINAL SECTION
 SCALE: 1/4" = 1'-0"



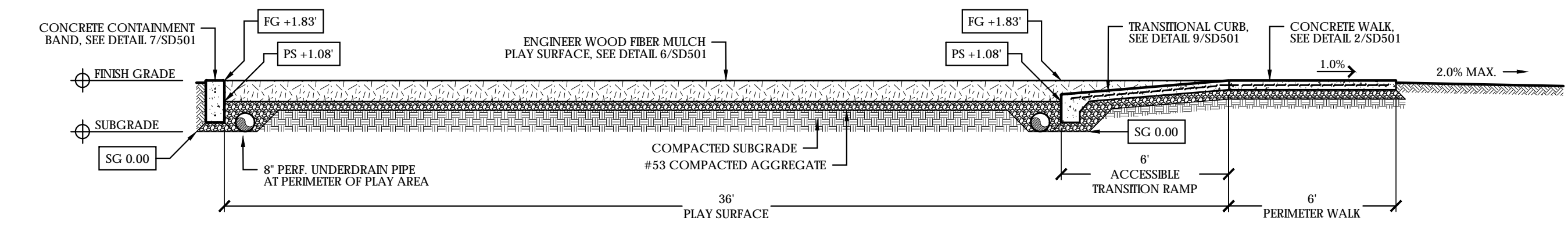
3 PATOKA LAKE PLAYGROUND - LONGITUDINAL SECTION
 SCALE: 1/4" = 1'-0"



4 PATOKA LAKE PLAYGROUND - CROSS SECTION A
 SCALE: 1/4" = 1'-0"



6 POKAGON PLAYGROUND - CROSS SECTION
 SCALE: 1/4" = 1'-0"



5 PATOKA LAKE PLAYGROUND - CROSS SECTION B
 SCALE: 1/4" = 1'-0"

7 POKAGON PLAYGROUND - ESTABLISHING FINISH GRADE
 SCALE: 1/4" = 1'-0"

REFERENCE DETAILS ON THIS SHEET FOR PLAN GROUP A, B, & C

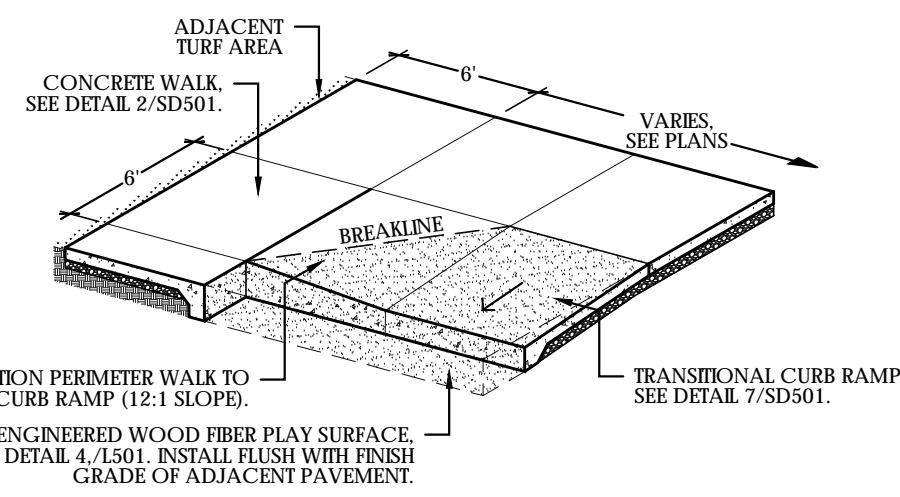
NO.	BY	DESCRIPTION	DATE
ADD3	KDK	ADDENDUM #3	12/29/17

COPYRIGHT NOTICE:
 THE CONCEPTS, IDEAS, DESIGNS, PLANS, AND DETAILS AS SHOWN ON THIS DOCUMENT ARE THE SOLE PROPERTY OF RUNDELL ERNSTBERGER ASSOCIATES, AND WERE CREATED, DEVELOPED AND PRESENTED FOR USE ON THIS SPECIFIC PROJECT. WORK OF THE CONCEPTS, IDEAS, DESIGNS, PLANS, AND DETAILS SHALL BE USED BY ANY PERSON, FIRM, OR CORPORATION FOR ANY PURPOSE WHATSOEVER, WITHOUT THE EXPRESS WRITTEN CONSENT OF RUNDELL ERNSTBERGER ASSOCIATES. THE OWNER/CLIENT SHALL BE FURNISHED WITH RETAIN COPIES FOR INFORMATION AND REFERENCE IN CONNECTION WITH THIS PROJECT.

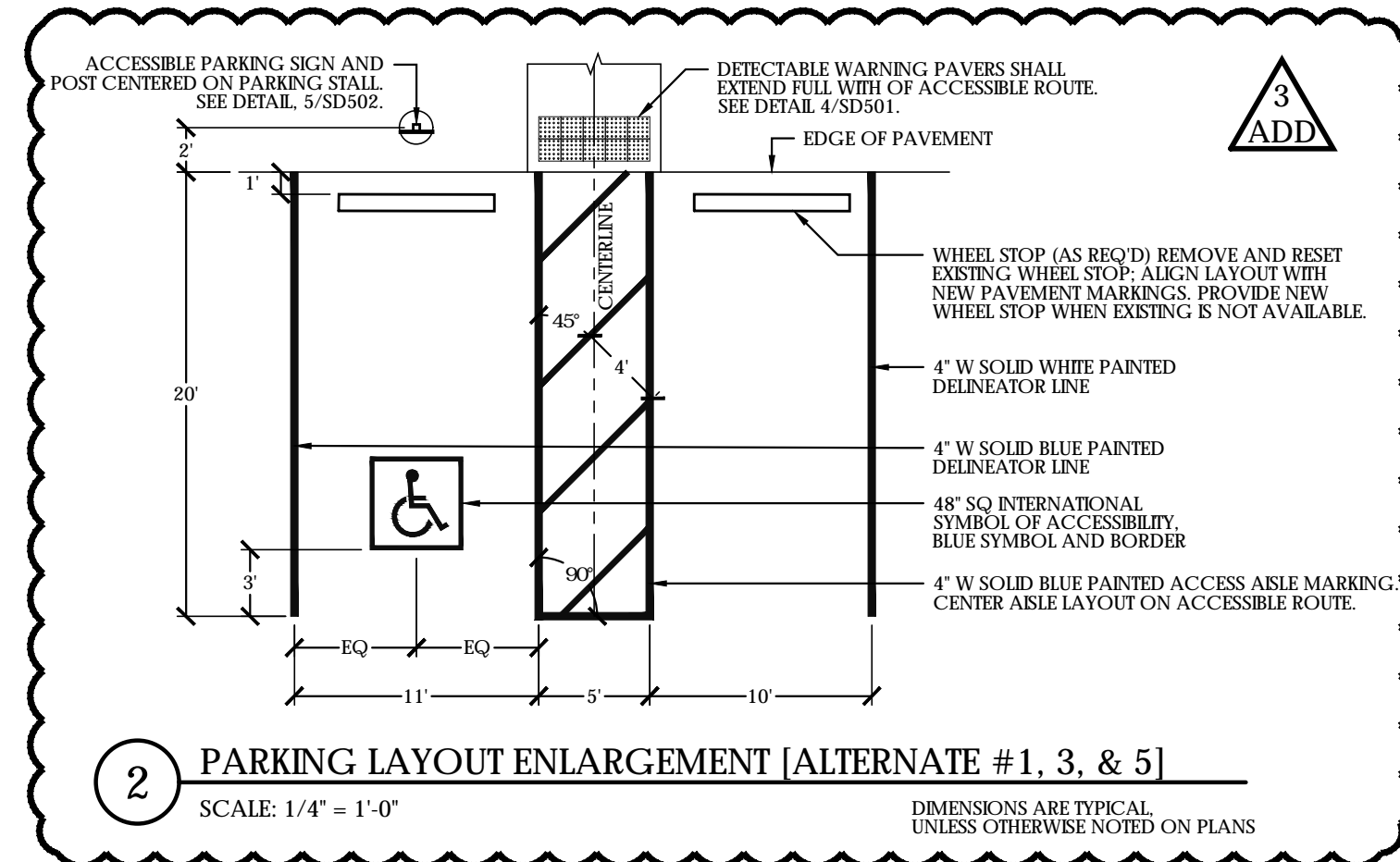
TYPICAL CROSS SECTIONS

REA Project #: 161448
 Date: 11/28/2017
 Drawn by: KK
 Reviewed by: CK

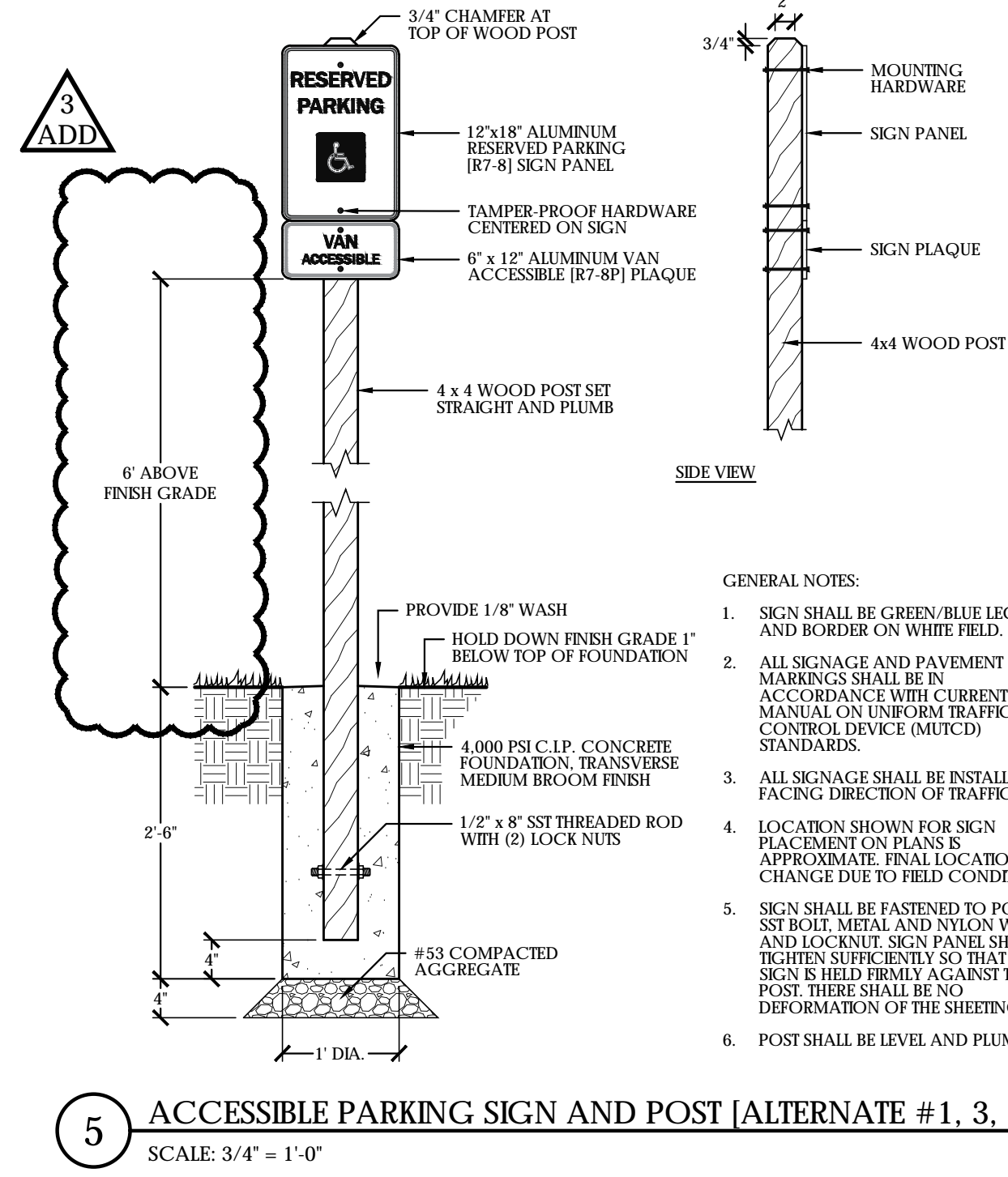
DRAWING #:
SD302



1 TRANSITIONAL CURB RAMP - CORNER CONDITION
NOT TO SCALE

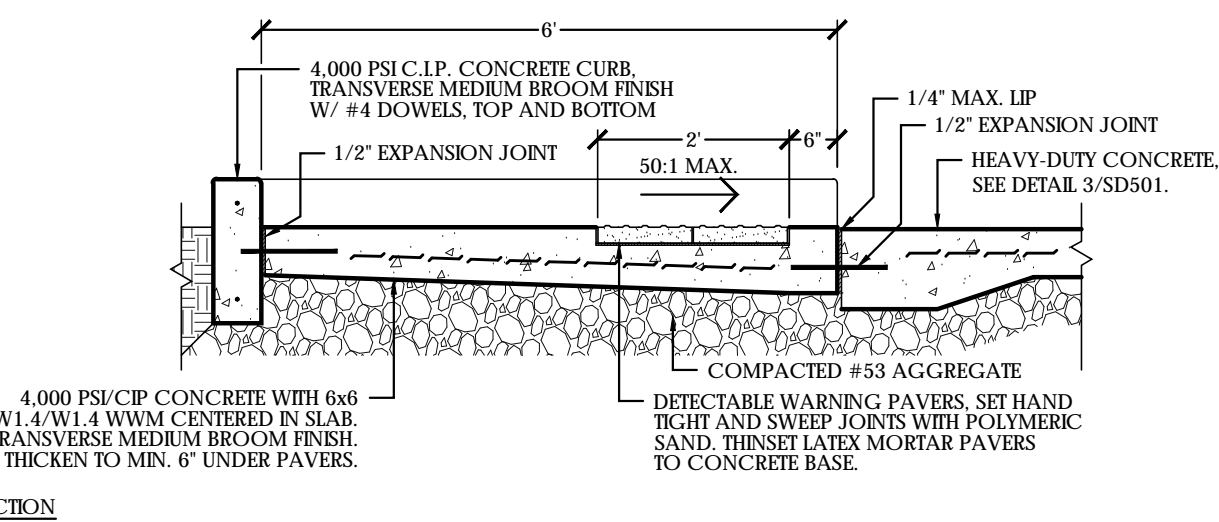


2 PARKING LAYOUT ENLARGEMENT [ALTERNATE #1, 3, & 5]
SCALE: 1/4" = 1'-0"
DIMENSIONS ARE TYPICAL UNLESS OTHERWISE NOTED ON PLANS

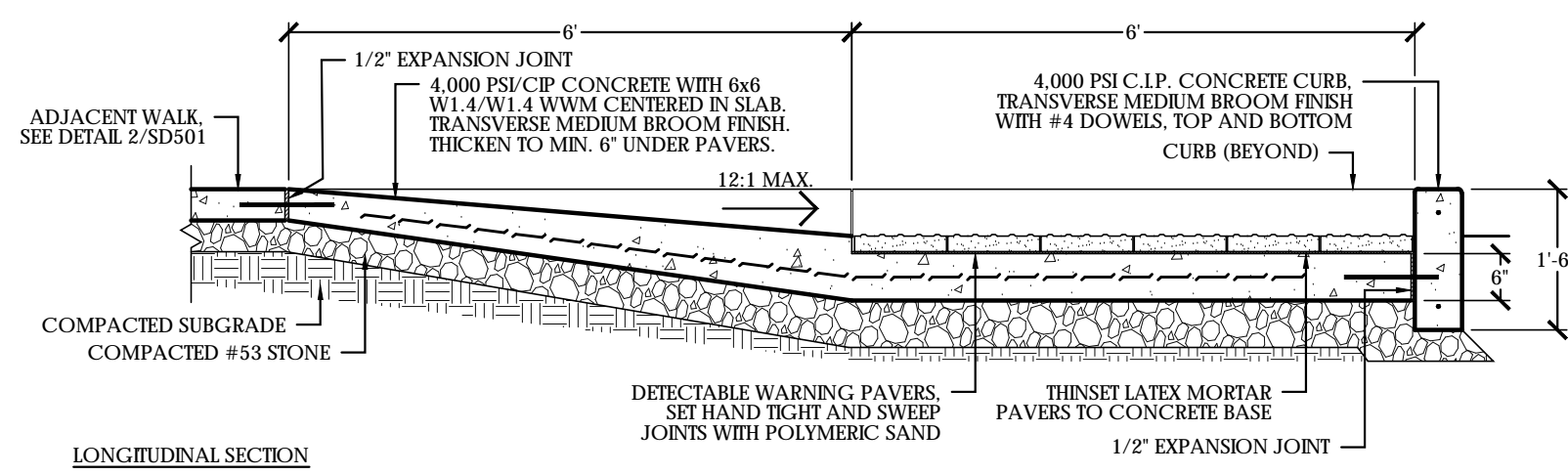


5 ACCESSIBLE PARKING SIGN AND POST [ALTERNATE #1, 3, & 5]
SCALE: 3/4" = 1'-0"

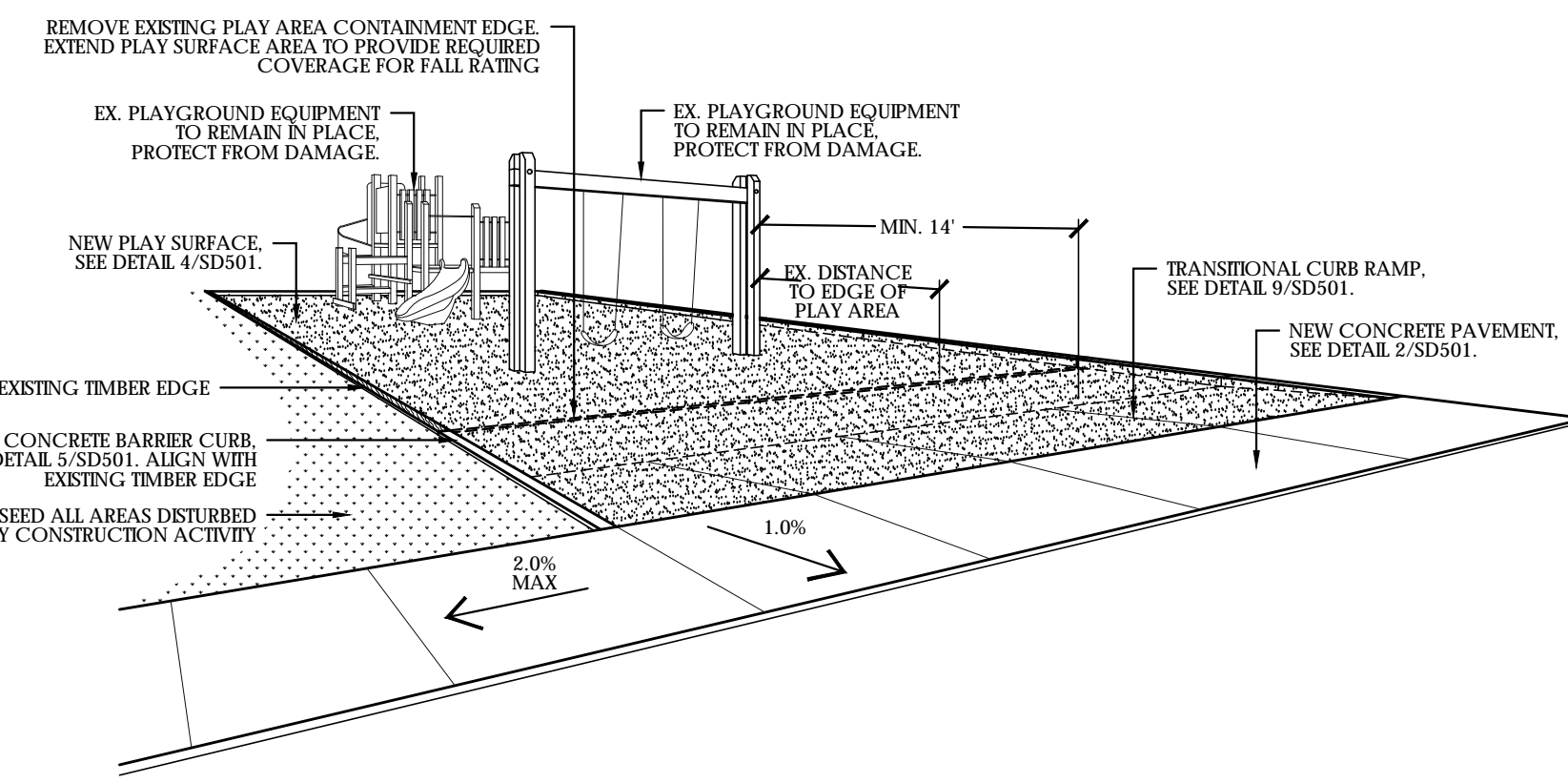
- GENERAL NOTES:
1. SIGN SHALL BE GREEN/BLUE LEGEND AND BORDER ON WHITE FIELD.
 2. ALL SIGNAGE AND PAVEMENT MARKINGS SHALL BE IN ACCORDANCE WITH CURRENT MANUAL ON UNIFORM TRAFFIC CONTROL DEVICE (MUTCD) STANDARDS.
 3. ALL SIGNAGE SHALL BE INSTALLED FACING DIRECTION OF TRAFFIC.
 4. LOCATION SHOWN FOR SIGN PLACEMENT ON PLANS IS APPROXIMATE. FINAL LOCATION MAY CHANGE DUE TO FIELD CONDITIONS.
 5. SIGN SHALL BE FASTENED TO POST WITH SST BOLT, METAL AND NYLON WASHER, AND LOCKNUT. SIGN PANEL SHALL BE TIGHTENED SUFFICIENTLY SO THAT THE SIGN IS HELD FIRMLY AGAINST THE POST. THERE SHALL BE NO DEFORMATION OF THE SHEETING.
 6. POST SHALL BE LEVEL AND PLUMB.



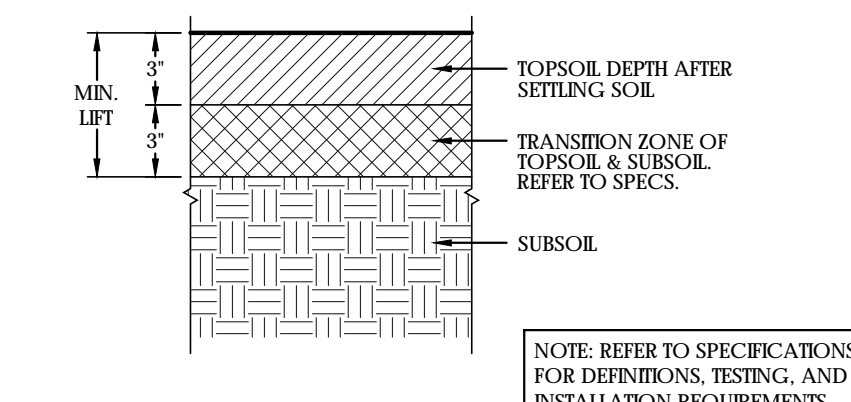
3 PARALLEL CURB RAMP [ALTERNATE #1, 3, & 5]
SCALE: 1/2" = 1'-0"



3 PARALLEL CURB RAMP [ALTERNATE #1, 3, & 5]
SCALE: 1/2" = 1'-0"



4 POKAGON STATE PARK PLAYGROUND RETROFIT [ALTERNATE #1]
NOT TO SCALE



6 PLANTING SOIL
NOT TO SCALE



RENDERING FOR REFERENCE ONLY. FINAL EQUIPMENT SELECTION TO BE DETERMINED.

7 CONCEPTUAL RENDERING - SMALL PLAYGROUND
NOT TO SCALE



RENDERING FOR REFERENCE ONLY. FINAL EQUIPMENT SELECTION TO BE DETERMINED.

8 CONCEPTUAL RENDERING - MEDIUM PLAYGROUND
NOT TO SCALE

RUNDELL ERNSTBERGER ASSOCIATES
Land Architecture + Urban Design + Land Planning
618 East Market Street, Indianapolis, IN 46202
TE (317) 263.0127 FX (317) 263.2080
611 W Main Street, Suite 201, Louisville, KY 40202
TE (502) 561.8676 FX (502) 561.9076
www.reasite.com

PREPARED FOR:
INDIANA DEPARTMENT OF NATURAL RESOURCES
Matthew Pore, Project Manager
DIVISION OF ENGINEERING
Indiana Government Center South
402 W Washington Street, Room W299
Indianapolis, Indiana 46204
PH (317) 234-0176 FX (317) 233.1205

PROJECT:
INDIANA DNR PLAYGROUND SITE DESIGN IMPROVEMENTS
CHAIN O' LAKES STATE PARK | CLARK STATE FOREST | GREEN-SULLIVAN STATE FOREST | PATOKA LAKE | POKHAGON STATE PARK | SHADIS STATE PARK | SHAKAMAK STATE PARK | TRINE STATE RECREATIONAL AREA
IDOA PROJECT # E010017

REFERENCE DETAILS ON THIS SHEET FOR PLAN GROUP A, B, & C

NO.	BY	DESCRIPTION	DATE
ADD3	KDK	ADDENDUM #3	01/02/18

COPYRIGHT NOTICE:
THE CONCEPT IDEAS, DESIGN PLANS, AND DETAILS AS SHOWN ON THIS DOCUMENT ARE THE SOLE PROPERTY OF RUNDELL ERNSTBERGER ASSOCIATES, AND WERE CREATED, DEVELOPED, AND PRESENTED FOR USE ON THIS SPECIFIC PROJECT BY THE COMPANY OF CONCEPT IDEAS, DESIGN, PLANS, AND DETAILS SHALL BE USED BY ANY PERSON, FIRM, OR CORPORATION FOR ANY PURPOSE WHATSOEVER, WITHOUT THE WRITTEN CONSENT OF RUNDELL ERNSTBERGER ASSOCIATES. THE OWNER/CLIENT SHALL BE PERMITTED TO RETAIN COPIES FOR INFORMATION AND REFERENCE IN CONNECTION WITH THIS PROJECT.

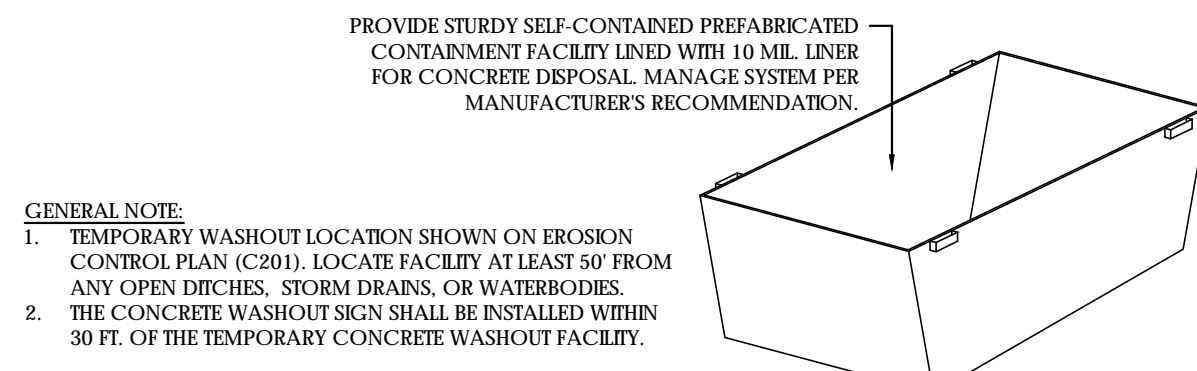
DRAWING NAME:
SITE DETAILS

REA Project #:	161448
Date:	11/28/2017
Drawn by:	KK
Reviewed by:	CK

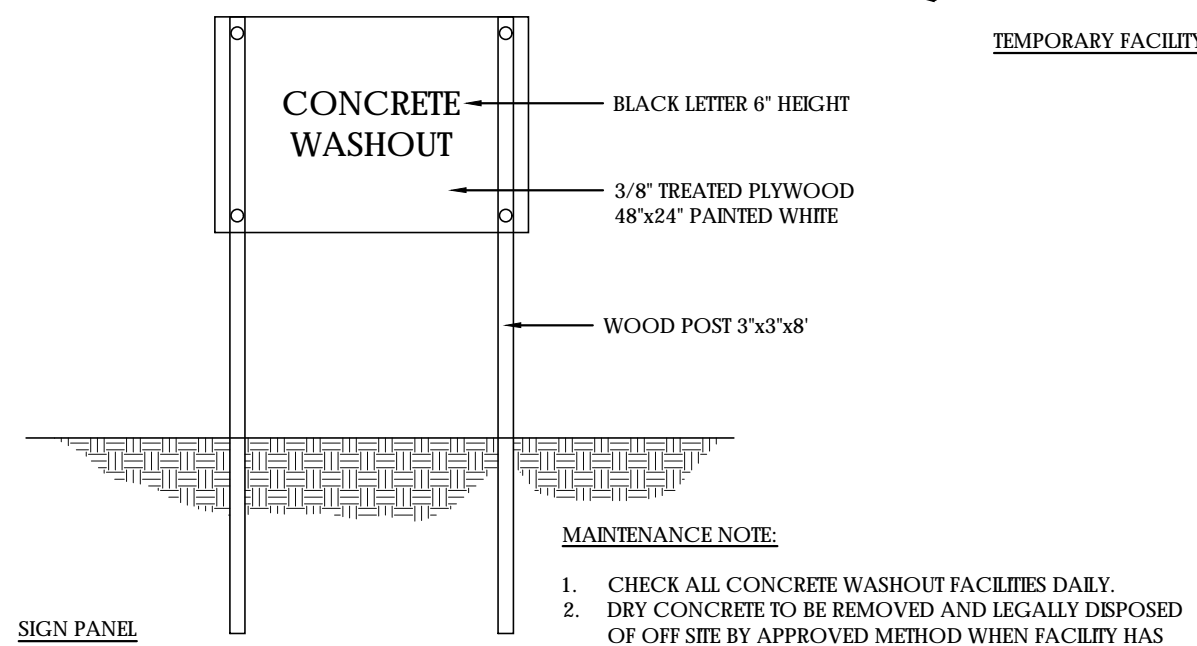
DRAWING #:
SD502

File: P:\1448 DNR Playgrounds.dwg, sheets\SD502 - Site Details.dwg

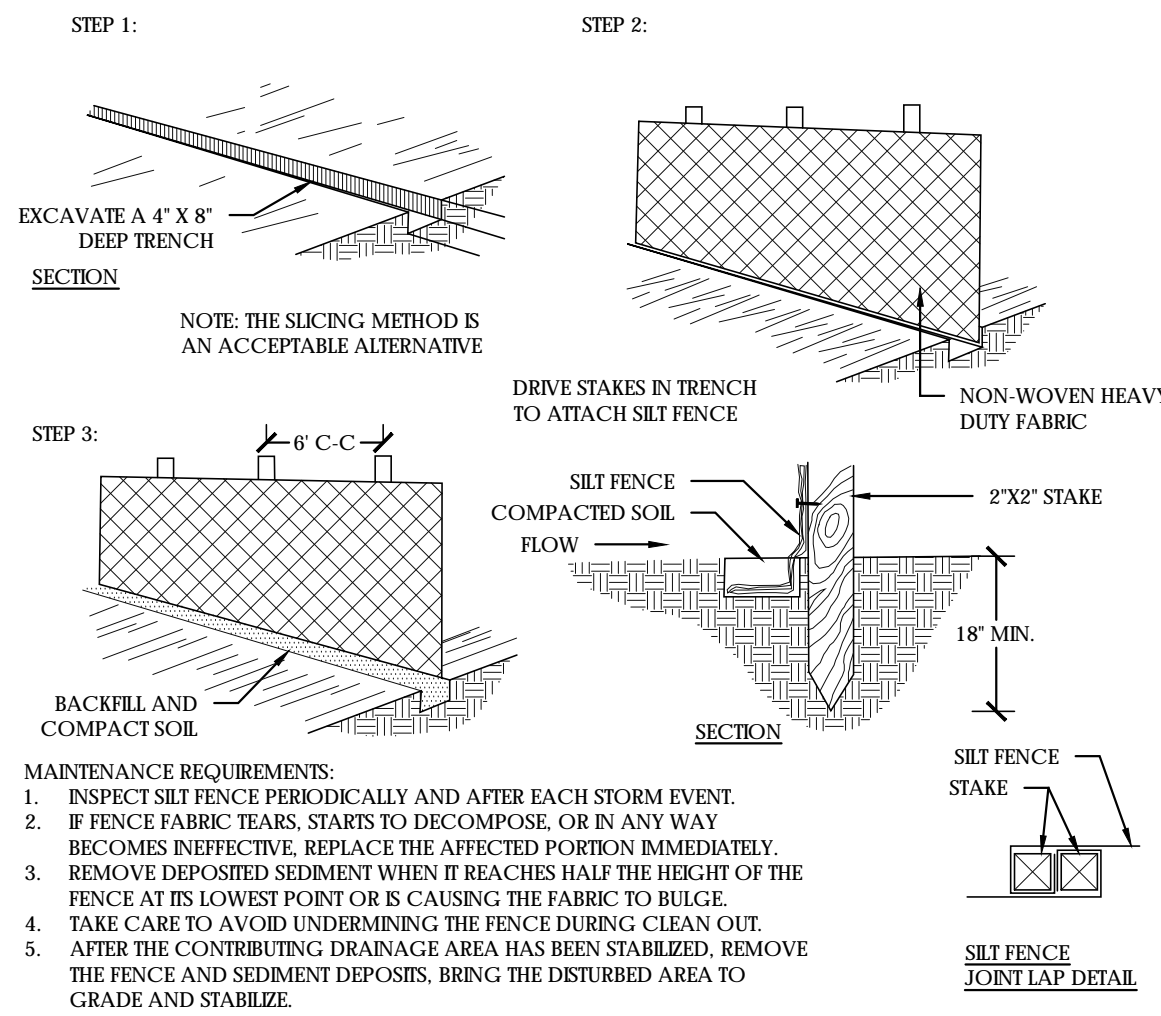
File: P:\1448 DNR Playgrounds.dwg, sheets\C504 - Civil Details.dwg



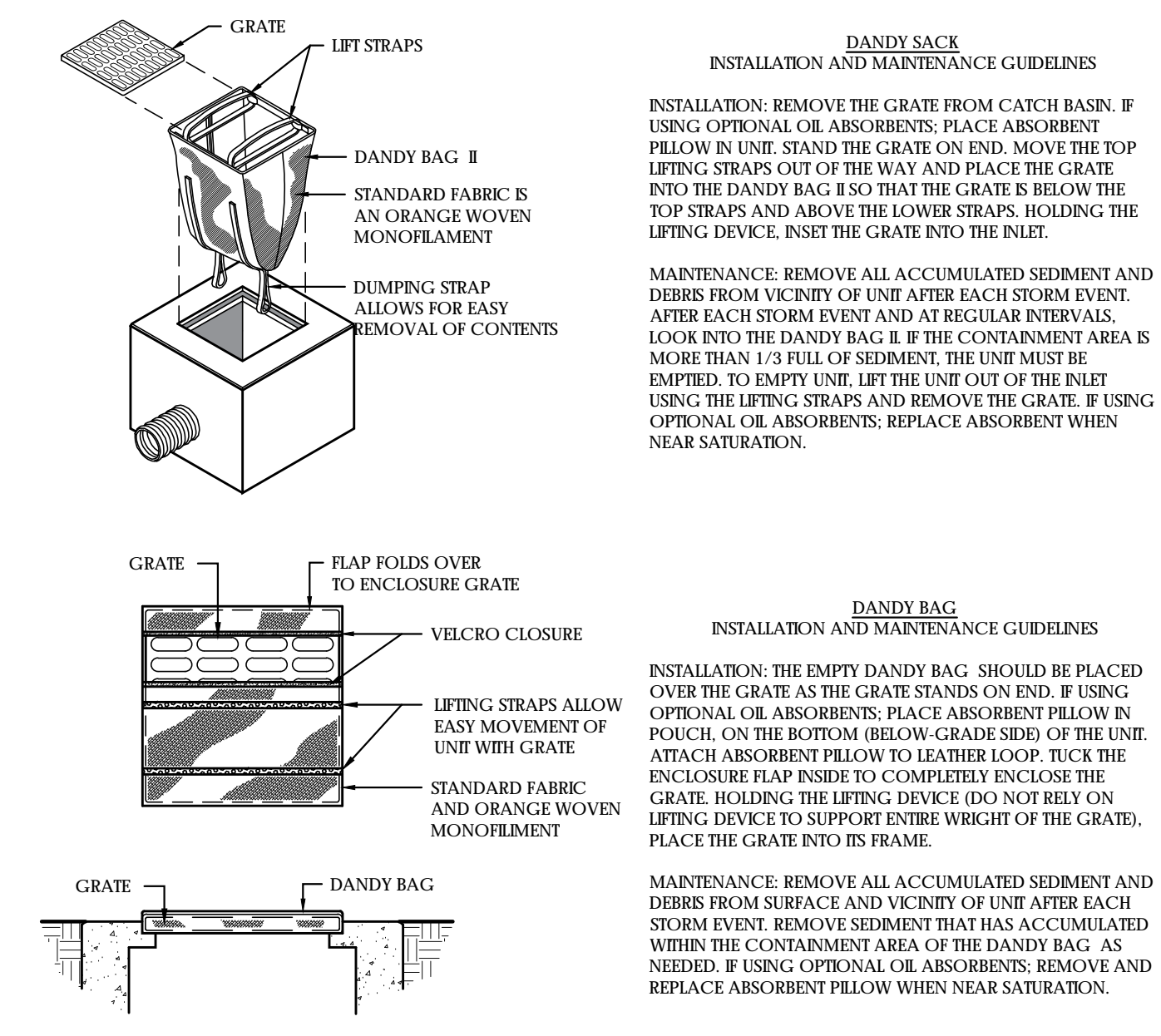
- GENERAL NOTE:
 1. TEMPORARY WASHOUT LOCATION SHOWN ON EROSION CONTROL PLAN (C201). LOCATE FACILITY AT LEAST 50' FROM ANY OPEN DITCHES, STORM DRAINS, OR WATERBODIES.
 2. THE CONCRETE WASHOUT SIGN SHALL BE INSTALLED WITHIN 30 FT. OF THE TEMPORARY CONCRETE WASHOUT FACILITY.



1 CONCRETE WASHOUT
 NOT TO SCALE

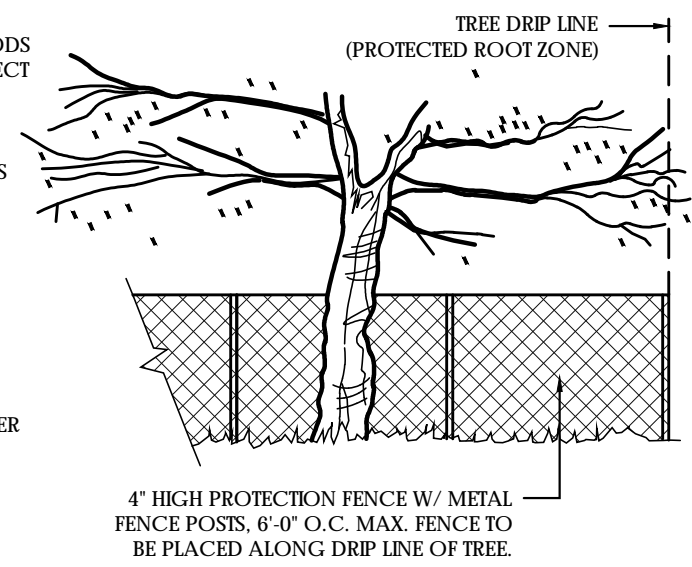


2 SILT FENCE BARRIER INSTALLATION
 NOT TO SCALE

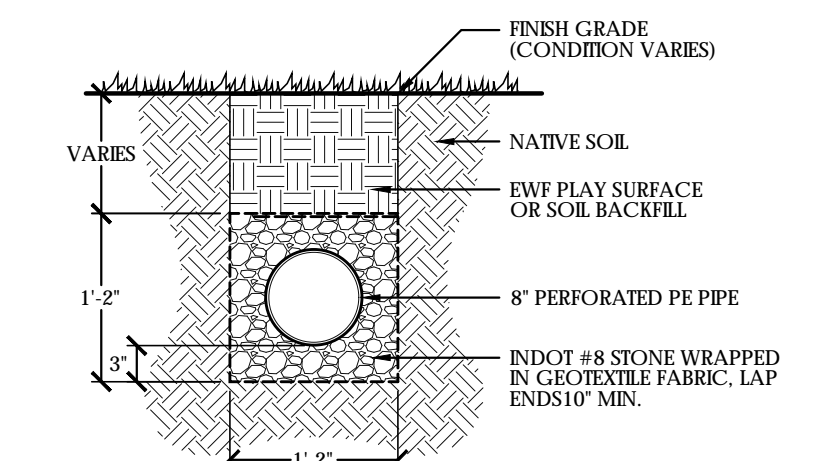


3 INLET PROTECTION (DANDY BAG) DETAILS
 NOT TO SCALE

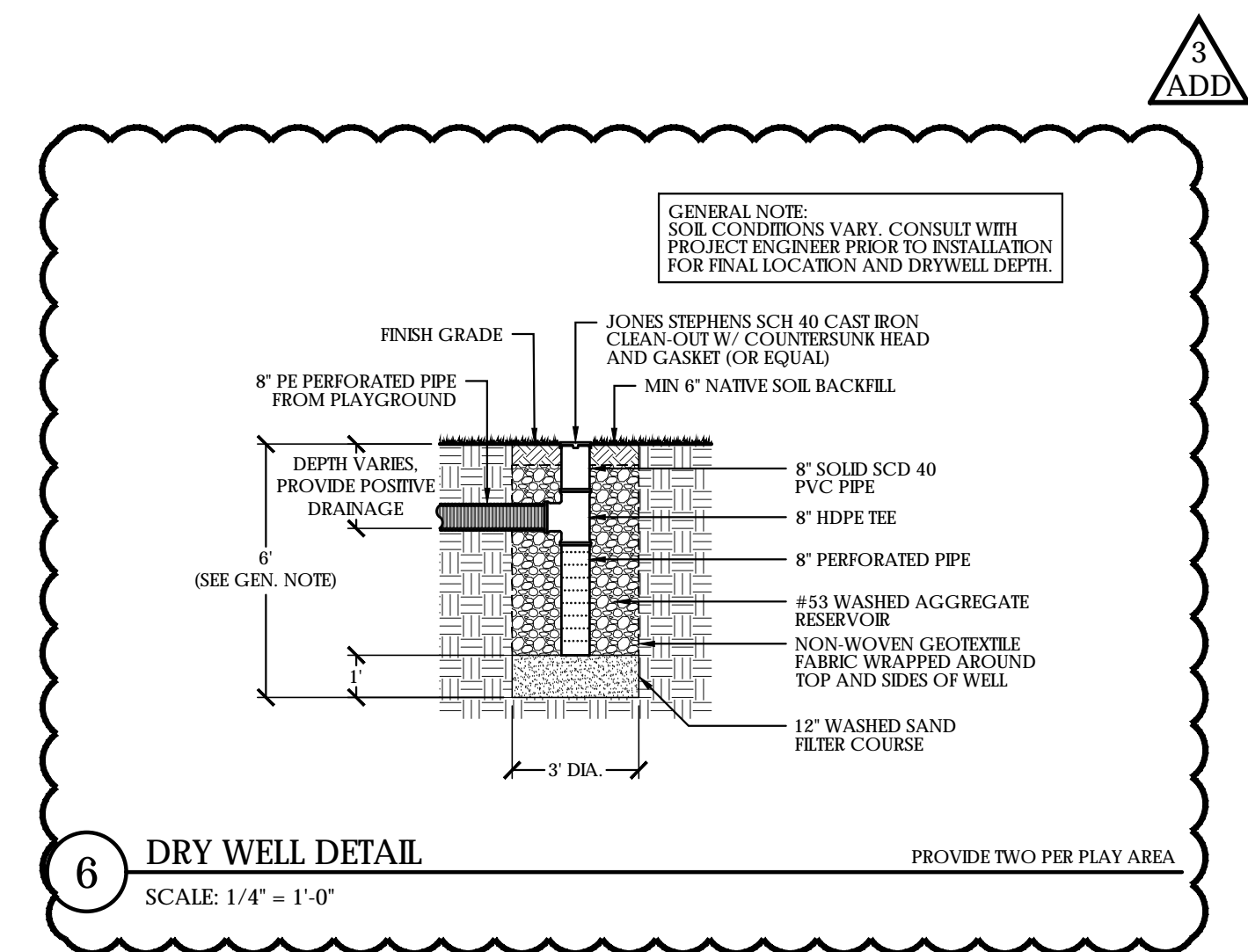
- GENERAL NOTES:
 1. CONTRACTOR MAY SUBMIT ALTERNATE METHODS OF TREE PROTECTION TO LANDSCAPE ARCHITECT FOR CONSIDERATION.
 2. PROTECT TREE ROOT ZONE FROM DAMAGE CAUSED BY RUNOFF OR SPILLAGE OF NOXIOUS MATERIALS. DO NOT ALLOW FIRES WITHIN PROTECTED ROOT ZONE.
 3. DO NOT STORE CONSTRUCTION MATERIALS, DEBRIS, OR EXCAVATED MATERIALS INSIDE PROTECTED ROOT ZONE.
 4. DO NOT PERMIT VEHICLES, MACHINERY, OR PERSISTENT FOOT TRAFFIC WITHIN PROTECTED ROOT ZONE. PREVENT SOIL COMPACTION OVER ROOT SYSTEMS.



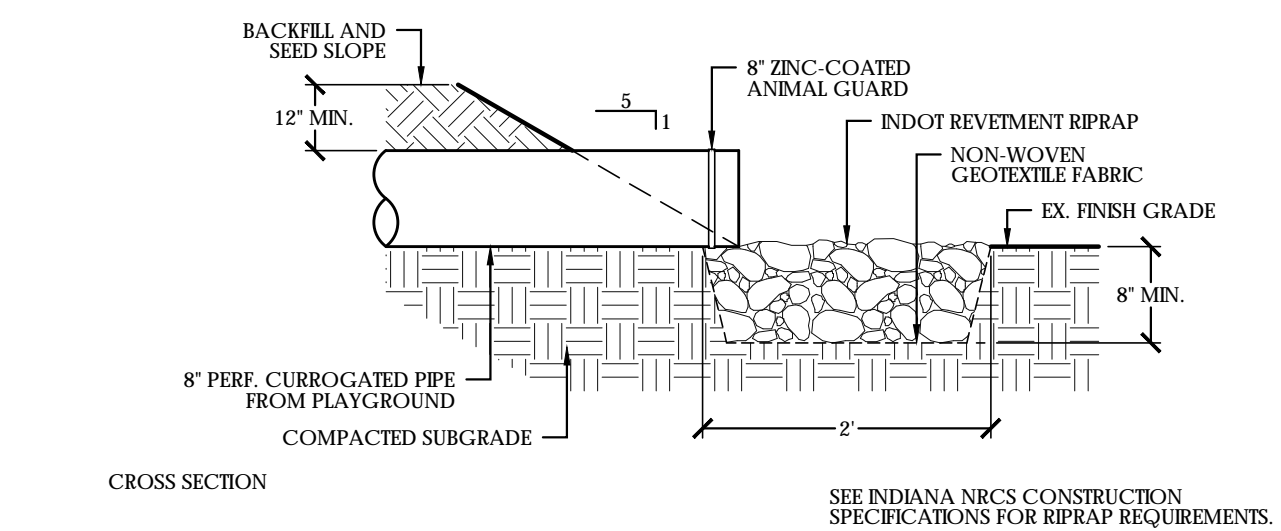
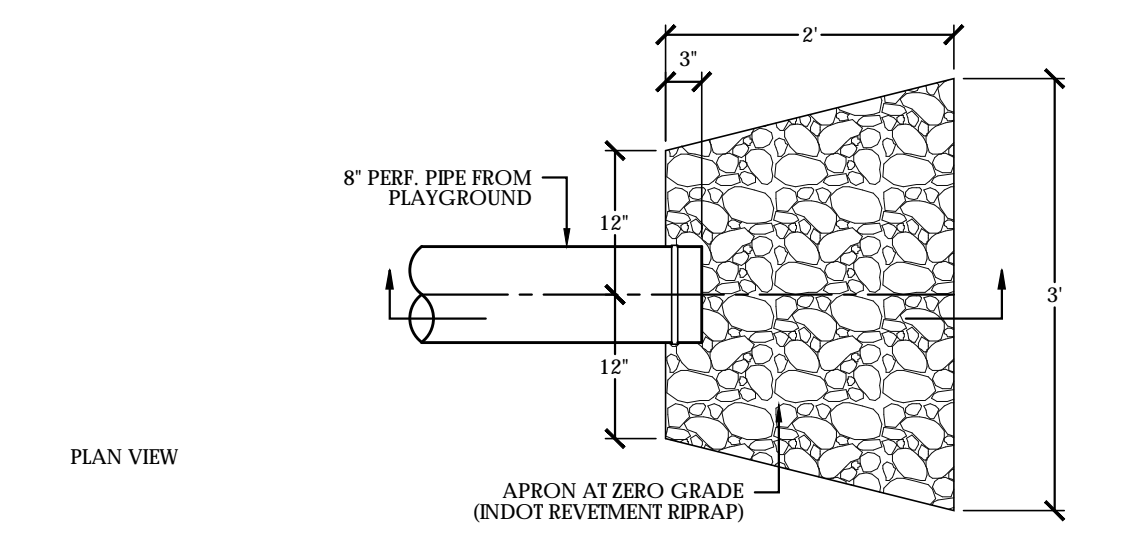
4 TEMPORARY TREE PROTECTION
 NOT TO SCALE



5 UNDERDRAIN PIPE
 SCALE: 3/4" = 1'-0"



6 DRY WELL DETAIL
 SCALE: 1/4" = 1'-0"



7 RIPRAP APRON AT OUTLET
 SCALE: 3/4" = 1'-0"

RUNDELL ERNSTBERGER ASSOCIATES
 Land Architecture + Urban Design + Land Planning
 618 East Market Street, Indianapolis, IN 46202
 TE [317] 263.0127 FX [317] 263.2080
 611 W Main Street, Suite 201, Louisville, KY 40202
 TE [502] 561.8676 FX [502] 561.9076
 www.reasite.com

PREPARED FOR:
INDIANA DEPARTMENT OF NATURAL RESOURCES
 Matthew Pore, Project Manager
 DIVISION OF ENGINEERING
 Indiana Government Center South
 402 W Washington Street, Room W299
 Indianapolis, Indiana 46204
 PH [317] 234-0176 FX [317] 233.1205

PROJECT:
INDIANA DNR PLAYGROUND SITE DESIGN IMPROVEMENTS
 CHAIN O' LAKES STATE PARK | CLARK STATE FOREST | GREEN-SULLIVAN STATE FOREST | PATOKA LAKE | POKHAGON STATE PARK | SHADIS STATE PARK | SHAKAMAK STATE PARK | TRINE STATE RECREATIONAL AREA
 IDOA PROJECT # E010017

REFERENCE DETAILS ON THIS SHEET FOR PLAN GROUP A, B, & C

NO.	BY	DESCRIPTION	DATE
ADD3	KDK	ADDENDUM #3	01/02/18

COPYRIGHT NOTICE:
 THE CONCEPTS, IDEAS, DESIGNS, PLANS, AND DETAILS SHOWN ON THIS DOCUMENT ARE THE SOLE PROPERTY OF RUNDELL ERNSTBERGER ASSOCIATES, AND WERE CREATED, DEVELOPED AND PRESENTED FOR USE IN THIS SPECIFIC PROJECT. NONE OF THE CONCEPTS, IDEAS, DESIGNS, PLANS, AND DETAILS SHALL BE USED BY ANY PERSON, FIRM, OR CORPORATION FOR ANY PURPOSE WITHOUT THE WRITTEN CONSENT OF RUNDELL ERNSTBERGER ASSOCIATES. THE OWNER/CLIENT SHALL BE PERMITTED TO REPRODUCE COPIES FOR INFORMATION AND REFERENCE IN CONNECTION WITH THIS PROJECT.

DRAWING NAME:
CIVIL DETAILS

REFER TO DETAILS, THIS SHEET FOR PLAN GROUP A, B, & C

REA Project #: 161448
 Date: 11/28/2017
 Drawn by: KK
 Reviewed by: CK

DRAWING #:
C504

OWEN-PUTNAM STATE FOREST



EXISTING PICNIC SHELTER

EXISTING OFFICE

PLAYGROUND LOCATION