



APPLICATION FOR VARIANCE

State Form 44400 (R7 / 10-13)
Approved by State Board of Accounts, 2013

INDIANA DEPARTMENT OF HOMELAND SECURITY CODE SERVICES SECTION

302 West Washington Street, Room W246
Indianapolis, IN 46204-2739
http://www.in.gov/dhs/fire/fp_bs_comm_code/



INSTRUCTIONS: Please refer to the attached four (4) page instructions.
Attach additional pages as needed to complete this application.

Variance number (Assigned by department)

17-06-04

1. APPLICANT INFORMATION (Person who would be in violation if variance is not granted; usually this is the owner)

Name of applicant	Title
Tina Gookins	Church Board Member, Treasurer
Name of organization	Telephone number
Newtown Community Church Inc.	(765) 585-0363
Address (number and street, city, state, and ZIP code)	
210 W. Washington St. Newtown, IN 47969	

2. PERSON SUBMITTING APPLICATION ON BEHALF OF THE APPLICANT (If not submitted by the applicant)

Name of applicant	Title
Name of organization	Telephone number
	()
Address (number and street, city, state, and ZIP code)	

3. DESIGN PROFESSIONAL OF RECORD (If applicable)

Name of design professional	License number
Name of organization	Telephone number
	()
Address (number and street, city, state, and ZIP code)	

4. PROJECT IDENTIFICATION

Name of project	State project number	County
Chair Lift Installation		Fountain
Address of site (number and street, city, state, and ZIP code)		
210 W. Washington St. Newtown, IN 47969		
Type of project		
<input type="checkbox"/> New <input type="checkbox"/> Addition <input checked="" type="checkbox"/> Alteration <input type="checkbox"/> Change of occupancy <input type="checkbox"/> Existing		

5. REQUIRED ADDITIONAL INFORMATION

The following required information has been included with this application (check as applicable):

- A check made payable to the Indiana Department of Homeland Security for the appropriate amount. (see instructions)
- One (1) set of plans or drawings and supporting data that describe the area affected by the requested variance and any proposed alternatives.
- Written documentation showing that the local fire official has received a copy of the variance application.
- Written documentation showing that the local building official has received a copy of the variance application.

6. VIOLATION INFORMATION

Has the Plan Review Section of the Division of Fire and Building Safety issued a Correction Order?

Yes (If yes, attach a copy of the Correction Order.) No

Has a violation been issued?

Yes (If yes, attach a copy of the Violation and answer the following.) No

Violation issued by:

Local Building Department
 State Fire and Building Code Enforcement Section
 Local Fire Department

7. DESCRIPTION OF REQUESTED VARIANCE

Name of code or standard and edition involved	Specific code section
675 IAC 12-4-9 Maintenance of buildings and structures	IC 22-12-6-6, IC 22-13-2-2, IC 22-13-2-8, IC 36-8-17-13

Nature of non-compliance (Include a description of spaces, equipment, etc. involved as necessary.)
 The church has a full basement including a fellowship hall. The basement level is served by two flights of stairs with a landing in between. The first flight of stairs is 65" W and the second flight of stairs measures 44" W. The proposed chair lift will have a permanent track that projects 9" into the stair width and a folded chair position that projects 16 1/8" into the stair. Enclosed find a technical data and specification sheet on proposed chair lift.

8. DEMONSTRATION THAT PUBLIC HEALTH, SAFETY, AND WELFARE WILL BE PROTECTED

Select one of the following statements:

- Non-compliance with the rule will not be adverse to the public health, safety or welfare; or
- Applicant will undertake alternative actions in lieu of compliance with the rule to ensure that granting of the variance will not be adverse to public health, safety, or welfare. Explain why alternative actions would be adequate (be specific).

Facts demonstrating that the above selected statement is true:

We have an additional/alternate exit in the basement. The dimensions for that exit are 36" W x 9 ft, with 10 steps. Based on the fact that we have an alternate exit in our basement the chair lift will not be adverse to safety.

9. DEMONSTRATION OF UNDUE HARDSHIP OR HISTORICALLY SIGNIFICANT STRUCTURE

Select at least one of the following statements:

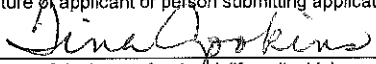
- Imposition of the rule would result in an undue hardship (unusual difficulty) because of physical limitations of the construction site or its utility services.
- Imposition of the rule would result in an undue hardship (unusual difficulty) because of major operational problems in the use of the building or structure.
- Imposition of the rule would result in an undue hardship (unusual difficulty) because of excessive costs of additional or altered construction elements.
- Imposition of the rule would prevent the preservation of an architecturally or a historically significant part of the building or structure.

Facts demonstrating that the above selected statement is true:

The chair lift will provide handicapped access from the sanctuary to the fellowship hall in the basement. The board has reviewed options of reconstructing the stairs and the possibility of an elevator, however the church building is very old and the cost of these options are not possible with our small congregation with a significant senior membership.


10. STATEMENT OF ACCURACY

I hereby certify under penalty of perjury that the information contained in this application is accurate.

Signature of applicant or person submitting application	Please print name	Date of signature (month, day, year)
	Tina Gookins, Church Board Member	5/9/17
Signature of design professional (if applicable)	Please print name	Date of signature (month, day, year)

11. STATEMENT OF AWARENESS (If the application is submitted on the applicant's behalf, the applicant must sign the following statement.)

I hereby certify under penalty of perjury that I am aware of this request for variance and that this application is being submitted on my behalf.

Signature of applicant	Please print name	Date of signature (month, day, year)
	Tina Gookins, Church Board Member	5/9/17

for Newtown Community Church, Inc.

675 IAC 12-4-9 Maintenance of buildings and structures

Authority: IC 22-13-2-13

Affected: IC 22-12-6-6; IC 22-13-2-2; IC 22-13-2-8; IC 36-8-17-13

Sec. 9. (a) All buildings and structures, and any part of the permanent heating, ventilating, air conditioning, electrical, plumbing, sanitary, emergency detection, emergency communication, or fire or explosion systems, and all parts thereof, shall be maintained in conformance with the applicable rules of the commission, or applicable rules of its predecessor agencies, in effect when constructed, installed, or altered.

(b) The requirements of subsection (a) shall not prohibit maintenance in conformance with the current applicable building rules of the commission or in another manner which would be at least as safe, sanitary, energy conserving and accessible to persons with a physical disability as that required by subsection (a).

(c) Buildings and structures, and any part of the permanent heating, ventilating, air conditioning, electrical, plumbing, sanitary, emergency detection, emergency communication, or fire or explosion suppression systems, and all parts thereof, constructed, installed, or altered prior to the adoption of applicable rules by the commission or its predecessor agencies (including construction, installation, or alteration prior to the creation of the predecessor agencies) shall be maintained in a condition at least as safe and sanitary as they were when constructed, installed, or altered.

(d) This section does not prohibit the removal of buildings, structures, or any part of the permanent heating, ventilating, air conditioning, electrical, plumbing, sanitary, emergency detection, emergency communication, or fire or explosion suppression systems, or components thereof not required for the current use and occupancy by the rules of the commission or its predecessor agencies at the time of construction, installation, or alteration (including construction, installation, or alteration prior to the creation of the predecessor agencies).

(e) Notwithstanding subsection (d), no alteration or removal shall cause an existing building, structure, or any part of the permanent heating, ventilating, air conditioning, electrical, plumbing, sanitary, emergency detection, emergency communication, or fire or explosion suppression systems to become unsafe or overloaded under the provisions of the current rules of the commission for new construction.

(f) Notwithstanding subsection (d), no alteration or removal shall reduce existing fire protection or detection systems or exit capacities to a level less than that required under the provisions of the current rules of the commission for new construction. (*Fire Prevention and Building Safety Commission; 675 IAC 12-4-9; filed Jul 17, 1987, 2:30 p.m.: 10 IR 2683, eff Aug 1, 1987 [IC 4-22-2-36 suspends the effectiveness of a rule document for 30 days after filing with the secretary of state. LSA Document #87-53 was filed Jul 17, 1987.]; filed Jan 30, 1998, 4:00 p.m.: 21 IR 2083; errata filed Feb 2, 1998, 8:30 a.m.: 21 IR 2129; readopted filed Sep 11, 2001, 2:49 p.m.: 25 IR 530; readopted filed Sep 21, 2007, 9:20 a.m.: 20071010-IR-675070388RFA; readopted filed Oct 10, 2007, 9:16 a.m.: 20071031-IR-675070388RFA; readopted filed Aug 8, 2012, 8:08 a.m.: 20120905-IR-675120260RFA*)

Thomas A. Shoaff CBI, CBO, CFI
Senior Code Official, Code Enforcement
Indiana Department of Homeland Security
State Fire Marshal's Office
Cell: 317-417-3713
Fax: 317-233-0307
Email: tshoaff@dhs.in.gov

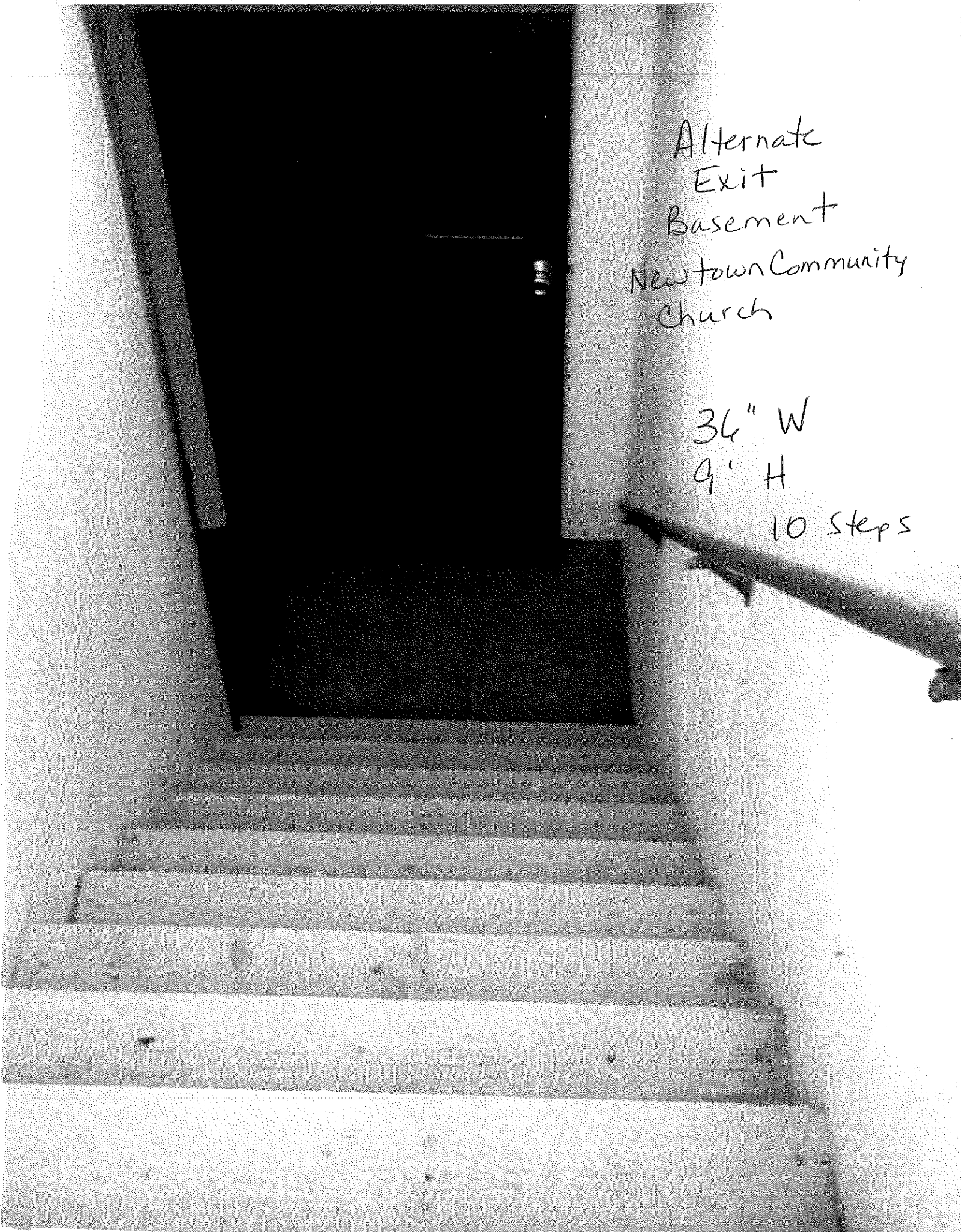


Alternate
Exit
Basement
Newtown Community
Church

36" W

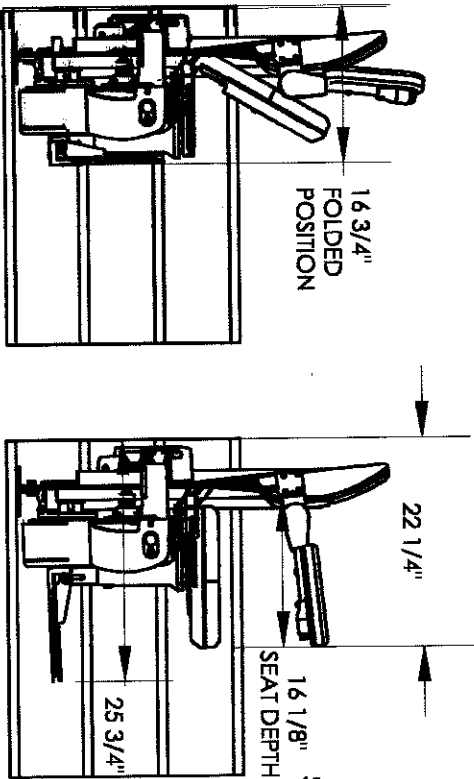
9' H

10 Steps

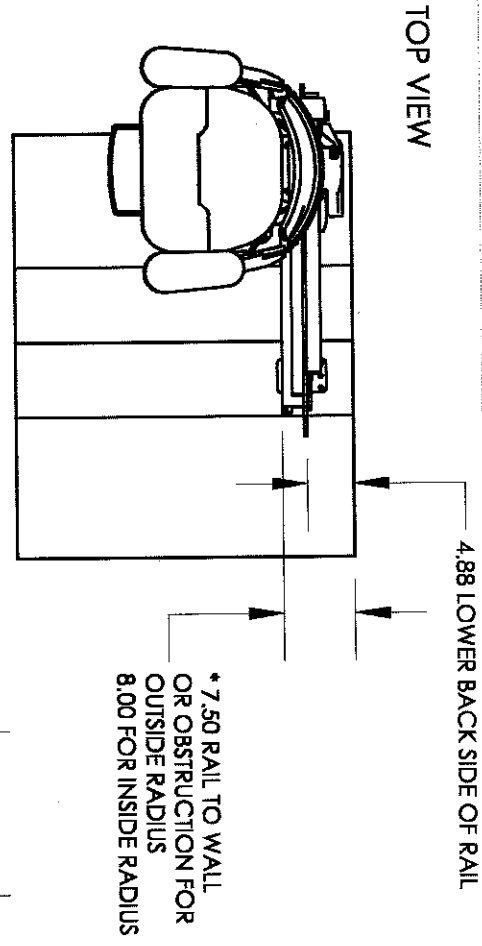


TECHNICAL DATA/SPECIFICATION

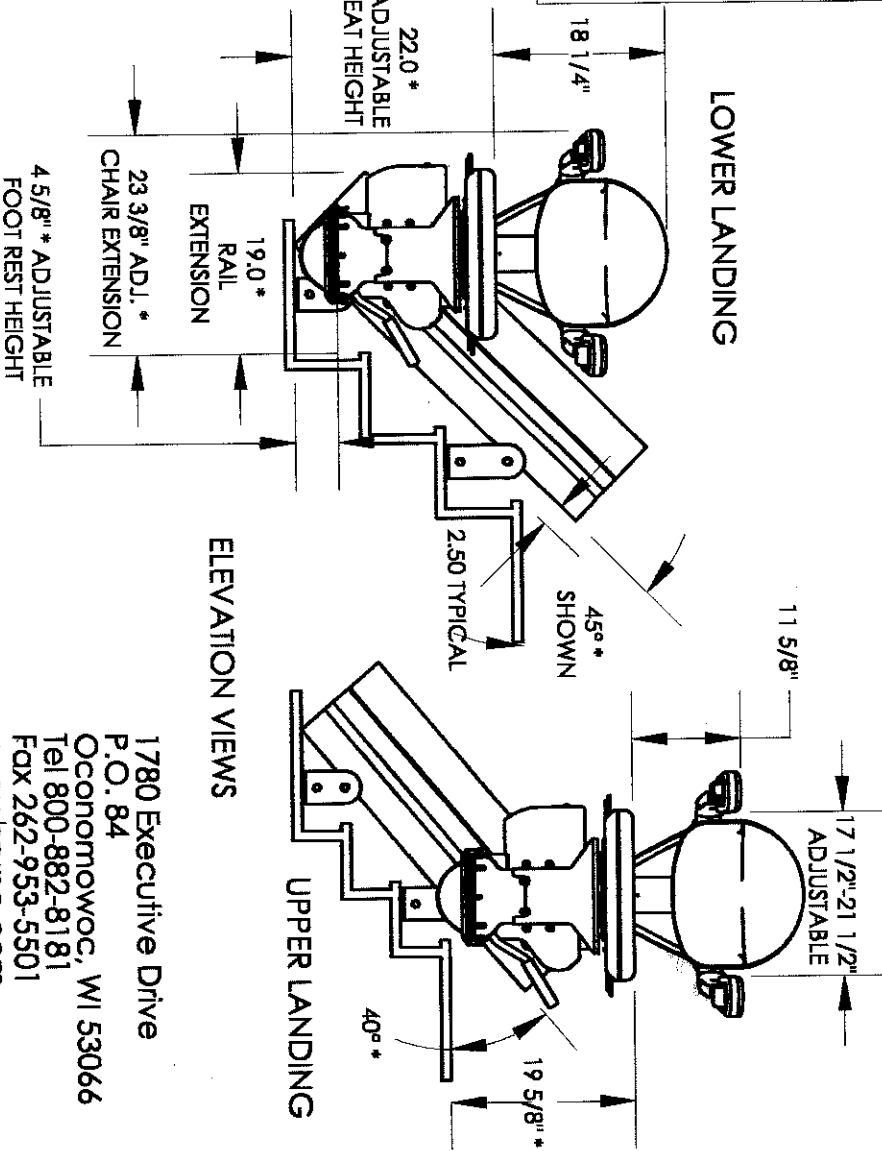
MODEL: CRE-2110 ELITE CURVE
RATED LOAD: 400 LBS, ONE PASSENGER
POWER SOURCE: 24 VOLT DC COMPRISED OF (2) 7 AMP/HR 12 VOLT SEALED BATTERIES
 110 VOLT AC 1.5 AMP, 24 VOLT DC 2 AMP CONTINUOUS MONITORING CHARGER.
DRIVE: 24 VOLT DC DIRECT DRIVE GEAR-MOTOR, 2 POLE RATED .68 HP, 58:1 RIGHT ANGLE SELF LOCKING GEARBOX, 41.5 RPM NO LOAD RPM OUTPUT SPEED.
SUSPENSION: RACK & PINION - INTEGRATED 8DP GEAR RACK ON RAIL WITH A SPUR GEAR ON THE OUTPUT SHAFT OF THE GEAR BOX.
BRAKING: DYNAMIC MOTOR BRAKING THROUGH THE MOTOR CONTROLLER, SELF LOCKING WORM GEAR, AND ELECTRO-MECHANICAL MOTOR BRAKE.
CONTROLS: CONTINUOUS PRESSURE ROCKER SWITCH LOCATED ON THE ARM REST AND WALL MOUNTED CALL/SEND CONTROLS LOCATED AT BOTH THE TOP AND BOTTOM LANDINGS.
ANGLES: 0 TO 45 DEGREES (SPECIALS UP TO 50 DEGREES) RIGHT OR LEFT HAND ORIENTATIONS.
BYPASS:
 1) KEYED CALL/SEND CONTROLS,
 2) KEYED CONTROL ON CHAIR,
 3) COMMERCIAL PACKAGE W/OVERSPEED SAFETY BRAKE.



DIMENSIONS ARE BASED ON 7.5" RAIL TO WALL POSITION
 SIDE VIEWS



TOP VIEW



LOWER LANDING

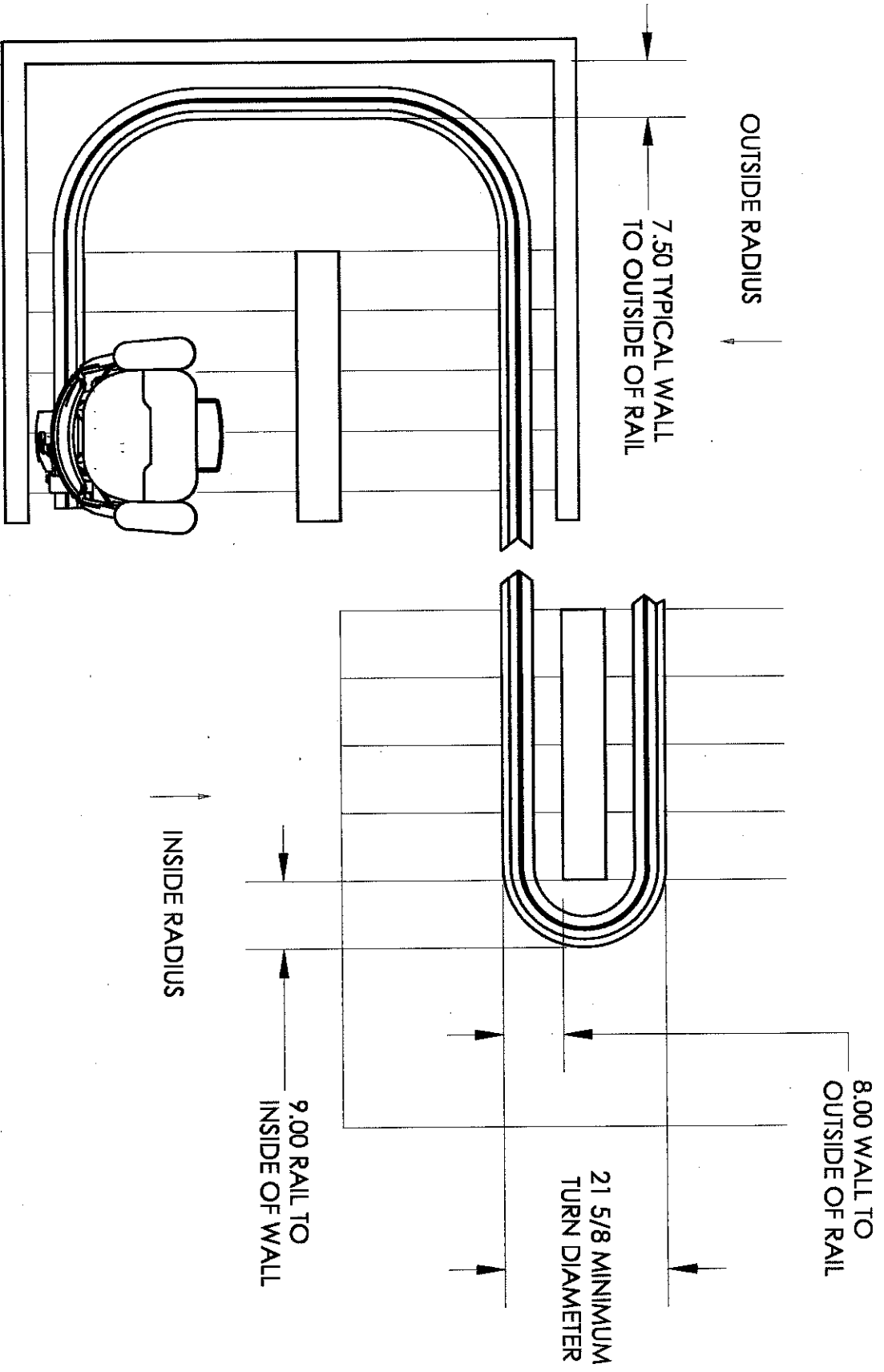
ELEVATION VIEWS

UPPER LANDING

DIMENSIONS WITH * ARE APPROXIMATE. THESE DIMENSIONS MAY VARY BASED ON THE SLOPE, RISER HEIGHT, AND CUSTOM SEAT ADJUSTMENTS MADE FOR THE USER.

1780 Executive Drive
 P.O. 84
 Oconomowoc, WI 53066
 Tel 800-882-8181
 Fax 262-953-5501
 www.bruno.com

CRE-2110 TECH DRAWING



ILS-00904
SHEET 2 OF 2
REV 10-05-09

BRUNO
for your independence
Bruno is a registered trademark of Bruno Assistive Technology, Inc.

CRE-2110 Elite Curve - Custom Curved Rail Stairlift **Technical Specifications**

MODEL NUMBER: CRE-2110 and CRE-2110C

RATED LOAD: 400 lb (181 kg) maximum

ETL-Intertek C-US Listed: Control Number: 4004689

PERFORMANCE STANDARDS:

ANSI/ASME: A18.1-1999 (Sec. 4 or 7) Safety Standards for Platform Lifts and Stairway Chairlifts

ANSI/ASME: A18.1-2003 (Sec. 4 or 7) Safety Standards for Platform Lifts and Stairway Chairlifts

ANSI/ASME: A18.1-2005 (Sec. 4 or 7) Safety Standards for Platform Lifts and Stairway Chairlifts

ANSI/ASME: A18.1-2008 (Sec. 4 or 7) Safety Standards for Platform Lifts and Stairway Chairlifts

ANSI/ASME: A18.1-2011 (Sec. 4 or 7) Safety Standards for Platform Lifts and Stairway Chairlifts

ANSI/ASME: A18.1-2014 (Sec. 4 or 7) Safety Standards for Platform Lifts and Stairway Chairlifts

CSA B613 Private Residence Lifts

ANSI/ASME: CSA B44.1/ASME-A17.5 Elevator and Escalator Electrical Equipment

MODEL NUMBER: CRE-2110G

RATED LOAD: 420 lb (190 kg) maximum

APPLICATIONS: straight staircases, straight with top and bottom overruns and straight with intermediate landing; variety of flat, spiral, and custom staircase configurations on both inside and outside of staircase

NUMBER OF PASSENGERS: 1

POWER SOURCE: 24VDC comprised of 2 each 7AH 12 volt sealed maintenance-free lead acid batteries; On/Off power switch to prevent battery drain over lengthy storage periods

CHARGER: 105-230VAC/1.5A, 24VDC/2A continuous monitoring, full primary cut off

DRIVE: 24VDC direct-drive gear-motor, 2 pole rated .68 HP, 58:1 right-angle self-locking worm gear box, 41.5 RPM on the output shaft of the gear box

FINAL DRIVE: integrated 8dp gear rack on rail with a spur gear on the gearbox output shaft

MOTOR CONTROLLER: custom 24VDC PWM controller with acceleration ramping

BRAKING: dynamic motor braking through motor controller, self-locking worm gear box, and electro-mechanical motor brake

CALL/SEND CONTROL: 2.4GHz RF wireless control with interference suppression; momentary switching requiring a user to continuously hold button to control unit

ARMREST CONTROL: 3-position momentary rocker switch requiring user to continuously hold rocker switch to control unit; switch mounted under armrest; optional keyed control

SUPPORTS: clamps anchored to stair tread; normal rail position is 2 1/2" (63.5 mm) above step nose; number of clamps dependent on the length of rail

ANGLE: from 0° to 45° standard, custom to 50°

SPEED: maximum top speed is 25 ft/min (0.13 m/s); actual speed varies depending on rider weight and angle of incline

LENGTH OF TRACK: custom lengths to 50 feet (15 m)

TRACK CONSTRUCTION: 5/16" (8 mm) mild steel welded shape, covered gear rack welded to rail; joint with welded side clamp blocks at each rail joint

TRACK LOCATION: track designed to contour of stairway and can fit to within 7" - 8" (178-203 mm) of wall or obstruction.

TRACK EXTENSION: standard track extension is approximately 6.5" (165 mm) past top step nose and 18" - 20" (457-508 mm) past bottom step nose

FOOTREST: folding footrest with safety sensor panel and handle actuator

SEAT: padded, folding and swivel with stops at 45° (bottom), 0° (forward), 60° (top), and 90° (top); multiple-position seat height adjustment

ARMRESTS: fixed to seat frame; armrest may be individually rotated toward seat back for smaller profile when not in use and to facilitate transfers; armrests have 4" (102 mm) width adjustment

SAFETY EQUIPMENT:

- 1) seat swivel switch allowing operation only when chair is in center position
- 2) carriage and footrest safety switches
- 3) retractable seat positioning belt
- 4) charging light (green) on carriage; charging light (amber) at each end of rail
- 5) 30A manual reset breaker on motor control circuit
- 6) 5A fuse on control circuits
- 7) final end stop bumper at each end of rail
- 8) final limit switch
- 9) full diagnostic user interface PC board

BATTERY CAPACITY/POWER OUTAGE:

cycles: variable depending on angle, length of run, ambient temperature and rider weight batteries: between 28 and 36 hours if power is disconnected

WEIGHT OF UNIT:

100 lb (45 kg) carriage and drive, 50 lb (23 kg) seat and footrest, and 16 lb/ft (23.8 kg/m) rail weight

TESTING PERFORMED:

- 1) battery charger UL tested and listed to standard UL1012
- 2) self-locking gear box statically tested with 3200 lb (1451 kg) (8 times rated load) on a 45° rail for 5 minutes with no carriage movement; test was performed at manufacturer's location.
- 3) repetitive tests performed to determine power outage cycling
- 4) electrical discharge to ground testing

OPTIONS:

- 5) keyed call/send controls
- 6) keyed controls on chair arm
- 7) commercial package with overspeed safety brake and keyed controls on chair arm
- 8) power swivel seat at top landing (up to 90° of rotation)
- 9) power folding footrest
- 10) mid park and charge
- 11) larger seat
- 12) larger footrest (manual and powered)

ELITE INDOOR
CURVED

MADE IN AMERICA



TECHNICAL SPECIFICATIONS

Standard Seat Pad Size: 17.5" /
445 mm wide x 15" / 381 mm deep

Larger Seat Pad Option: 21.5" /
546 mm wide x 16" / 406 mm deep

Standard Footrest Size: 10" / 254
mm long x 9" / 229 mm wide

Larger Footrest Option: 12" /
305 mm long x 11" / 279 mm wide



High-quality American craftsmanship is the hallmark of custom-made Bruno Elite curved rail stairlifts. Designed to the exact specifications of your staircase, the Elite melds into every curve. The plush chair properly reflects the beauty of your home. Let Bruno's Elite safely connect you to all levels of your home again.

- Weight capacity: 400 lb/ 181 kg
- Plush, generous-size seat with multiple height adjustments
- Adjustable width arm rests to 21.75" / 552 mm between arms
- Offset swivel seat makes getting on/off safe and easy
- Under-armrest rocker switch for easy operation
- Painted rail with covered gear rack gives a sleek appearance
- Flip up arms, seat, and footrest create plenty of extra space on steps ✓
- Two wireless call/sends allow unit to be controlled remotely
- Two 12-v batteries ensure dependable performance even in a power outage
- Soft start/stop for a smooth ride from start to finish
- Adjustable footrest height for maximum comfort
- Onboard audio/visual diagnostics for easy service
- Obstruction safety sensors, seat belt ensure safety
- Gold warranty: five year major components; two-year parts

See reverse side for optional features. Learn more at www.bruno.com

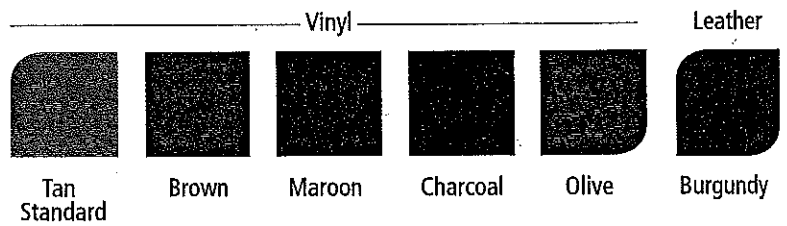
 **BRUNO**
for your independence



ELITE CURVED OPTIONS

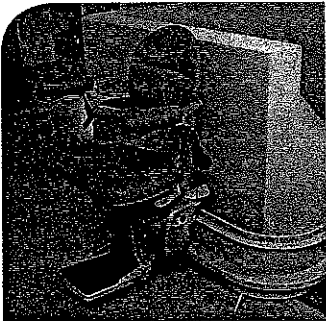


Standard tan vinyl with five optional upholstery selections. Or, supply your own fabric and Bruno will custom upholster the chair for you.

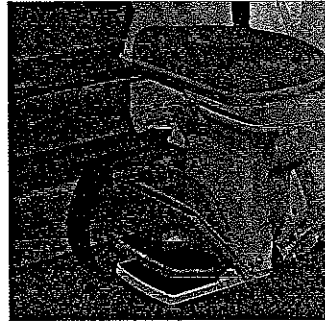


• Wider seat

• Wider footrest



Top or bottom park position extends rail away from the staircase.



Power folding footrest automatically flips up/down when seat is raised/lowered.



Power swivel seat for effortless exit. Controlled on chair arm or wireless call/send.



Mid-park and charge station for staircases with middle landings.

ACCESS ELEVATOR
 4855 S. Emerson Ave. Suite 101 Indianapolis, IN 46203
www.Access-Elevator.com
 PHONE 317-784-2900 - FAX 317-784-6391



Bruno Independent Living Aids, Inc.
 1780 Executive Drive, Oconomowoc, WI 53066
www.bruno.com

Newtown Community Church Basement Fellowship Hall

