



APPLICATION FOR VARIANCE

State Form 44400 (R7 / 10-13)
Approved by State Board of Accounts, 2013

INDIANA DEPARTMENT OF HOMELAND SECURITY
CODE SERVICES SECTION
302 West Washington Street, Room W246
Indianapolis, IN 46204-2739
http://www.in.gov/dhs/fire/fp_bs_comm_code/



INSTRUCTIONS: Please refer to the attached four (4) page instructions.
Attach additional pages as needed to complete this application.

Variance number (Assigned by department)
16-09-03

1. APPLICANT INFORMATION (Person who would be in violation if variance is not granted; usually this is the owner)

Name of applicant	A. Hamilton Baker	Title	OWNER
Name of organization	SVC (Spring Valley Camp)	Telephone number	765 354-4521
Address (number and street, city, state, and ZIP code)			
8180 W 92 ST N		Middletown, IN	47350

2. PERSON SUBMITTING APPLICATION ON BEHALF OF THE APPLICANT (If not submitted by the applicant)

Name of applicant	Faion Medley	Title	Manager
Name of organization	SVC	Telephone number	765 354-4521
Address (number and street, city, state, and ZIP code)			
" " " "			

3. DESIGN PROFESSIONAL OF RECORD (If applicable)

Name of design professional	N/A	License number	
Name of organization		Telephone number	()
Address (number and street, city, state, and ZIP code)			

4. PROJECT IDENTIFICATION

Name of project	Spring Valley Camp Pool	State project number	384776	County	Henry
Address of site (number and street, city, state, and ZIP code)					
8180 W 92 ST N		Middletown, IN		47350	
Type of project					
<input checked="" type="checkbox"/> New <input type="checkbox"/> Addition <input type="checkbox"/> Alteration <input type="checkbox"/> Change of occupancy <input type="checkbox"/> Existing					

5. REQUIRED ADDITIONAL INFORMATION

The following required information has been included with this application (check as applicable):

- A check made payable to the Indiana Department of Homeland Security for the appropriate amount. (see instructions)
- One (1) set of plans or drawings and supporting data that describe the area affected by the requested variance and any proposed alternatives.
- Written documentation showing that the local fire official has received a copy of the variance application.
- Written documentation showing that the local building official has received a copy of the variance application.

6. VIOLATION INFORMATION

Has the Plan Review Section of the Division of Fire and Building Safety issued a Correction Order?

Yes (If yes, attach a copy of the Correction Order.) No

Has a violation been issued?

Yes (If yes, attach a copy of the Violation and answer the following.) No

Violation issued by:

Local Building Department
 State Fire and Building Code Enforcement Section
 Local Fire Department

7. DESCRIPTION OF REQUESTED VARIANCE

Name of code or standard and edition involved, 410 IAC 6-2-1-26(a)	Specific code section § 675 IAC 20-2-21(C)(2)
Nature of non-compliance (Include a description of spaces, equipment, etc. involved as necessary.) Pool is fitted with one Hayward SP124 skimmer along side wall, mid-way. Our skimmer has 4 directional jets with adjustable speed variations to accommodate 100% of surface towards skimmer located along opposite wall. Please see attached drawing	

8. DEMONSTRATION THAT PUBLIC HEALTH, SAFETY, AND WELFARE WILL BE PROTECTED

Select one of the following statements:

Non-compliance with the rule will not be adverse to the public health, safety or welfare; or

Applicant will undertake alternative actions in lieu of compliance with the rule to ensure that granting of the variance will not be adverse to public health, safety, or welfare. Explain why alternative actions would be adequate (be specific).

Facts demonstrating that the above selected statement is true:

Please see attached

9. DEMONSTRATION OF UNDUE HARDSHIP OR HISTORICALLY SIGNIFICANT STRUCTURE

Select at least one of the following statements:

Imposition of the rule would result in an undue hardship (unusual difficulty) because of physical limitations of the construction site or its utility services.

Imposition of the rule would result in an undue hardship (unusual difficulty) because of major operational problems in the use of the building or structure.

Imposition of the rule would result in an undue hardship (unusual difficulty) because of excessive costs of additional or altered construction elements.

Imposition of the rule would prevent the preservation of an architecturally or a historically significant part of the building or structure.

Facts demonstrating that the above selected statement is true:

Please see attached

10. STATEMENT OF ACCURACY

I hereby certify under penalty of perjury that the information contained in this application is accurate.

Signature of applicant or person submitting application [Signature]	Please print name Fallon Medley	Date of signature (month, day, year) 7/1/16
Signature of design professional (if applicable)	Please print name	Date of signature (month, day, year)

11. STATEMENT OF AWARENESS (If the application is submitted on the applicant's behalf, the applicant must sign the following statement.)

I hereby certify under penalty of perjury that I am aware of this request for variance and that this application is being submitted on my behalf.

Signature of applicant [Signature]	Please print name A Hamilton Baker	Date of signature (month, day, year) 7/1/16
--	--	---



**Henry County Health Department
1201 Race Street, Suite 208
New Castle, IN, 47362
Office 765-521-7059**

Swimming Pool Inspection Report

Facility	Owner
Spring Valley Lake Pool 8186 W CR 575 N, Middletown, IN 47356 License Number:	Spring Valley Lake Hamilton Baker 8186 W CR 575 N, Middletown, IN 47356

The Spring Valley Lake Swimming Pool was closed on 05/12/2016 by Steve Yeary, Shalei Rogers, & Steve Allen.

The pool cannot be permitted to open by the Henry County Health Department or the Indiana State Department of Health until the violations below have been addressed as well as any additional deficiencies noted in the Indiana Department of Homeland Security design release. A design release must be obtained from Homeland Security prior to opening as well.

1. The pool was constructed without a design release being issued by the Fire Prevention Safety Commission / Code Services of the Indiana Department of Homeland Security. This is a violation of 410 IAC 62.1-26 (a), 675 IAC 12-6-2 and 675 IAC 20.
2. The pool is constructed without at least two (2) main drains/outlets provided in the lowest point of the pool that are manifolded together to allow for 100% of the system's flow through either drain. These drains must be separated by three (3) feet but not more than 30' of manifold pipe. This is a violation of 410 IAC 6-2.1-26(a), 675 IAC 20-2020.1(c), and 675 IAC 20-2-17(g). The two additional outlets in the sidewall of the pool near the skimmer are not in the lowest portion of the pool and therefore do not replace one of the two necessary main drains/outlets.
3. The two outlets located several feet below the water line (not at the deepest portion of the pool and not surface skimmers) near the single skimmer are not positioned to facilitate uniform circulation of water once the required two main drains have been installed in the deepest portion of the pool. This is a violation of 410 IAC 6-2.1-26(a) and 675 IAC 20-2-20.1(a).
4. The roughly 597ft² surface area pool has a single surface skimmer, despite needing one surface skimmer for every 500ft² of surface area. This is a violation of 410 IAC 6-2.1-26(a) and 675 IAC 20-2-21(c)(2). At least one additional surface skimmer is required. Surface skimmers should be positioned to facilitate uniform circulation of the water.
5. A meter to measure the flow of water through the pool water recirculation system was not provided. This is a violation of 410 IAC 6-2.1-32(c). Until a flow gauge is installed, numerous additional factors such as the turnover rate of the pool and the sizing of the filter (max flow rate) cannot be evaluated.
6. The pool is not fenced with a fence at least 6 feet high and constructed to discourage the entrance of unwanted persons. This is a violation of 410 IAC 6-2.1-26(a) and 675 IAC 20-2-26(f). The current fence is approximately 5' high.
7. Fence gates are not both self latching and self closing. This is a violation 410 IAC 6-2.1-26(a) and 675 IAC 20-2-26(f). Any gate utilized by patrons (and not padlocked at the time of use) MUST be both self-closing and self-latching.
8. Pool chemicals and chemical feeders were stored in an unsecured area accessible to patrons (no fence or building to restrict access to the acid feeder). This is a violation of 410 IAC 6-2.1-33(c).
9. Depth markings were not provided on the vertical pool wall above the waterline AND on the top of the coping or edge with 4" letters as specified in 675 IAC 20-2-26 (c). This is a violation of 410 IAC 6-2.1-26(a) and 675 IAC 20-2-26 (c).
10. A transition line was not provided where the pool depth transitions from shallow (less than 5') to deep (greater than 5') as described in 675 IAC 20-2-26(b). This is a violation of 410 IAC 6-2.1-26 (a) and 675 IAC 20-2-26(b).
11. The warning signs required in 410 IAC 6-2.1-36(a) and (b) are not provided. This is a violation of 410 IAC 6-2.1-36.

If you have questions, please contact the Henry County Health Department.



Henry County Health Department
1201 Race Street, Suite 208
New Castle, IN, 47362
Office 765-521-7059

Swimming Pool Inspection Report

Facility	Owner
Spring Valley Lake Pool 8186 W CR 575 N, Middletown, IN 47356 License Number:	Spring Valley Lake Hamilton Baker 8186 W CR 575 N, Middletown, IN 47356

The Spring Valley Lake Swimming Pool was closed on 05/12/2016 by Steve Yeary, Shalei Rogers, & Steve Allen.

The pool cannot be permitted to open by the Henry County Health Department or the Indiana State Department of Health until the violations below have been addressed as well as any additional deficiencies noted in the Indiana Department of Homeland Security design release. A design release must be obtained from Homeland Security prior to opening as well.

1. The pool was constructed without a design release being issued by the Fire Prevention Safety Commission / Code Services of the Indiana Department of Homeland Security. This is a violation of 410 IAC 62.1-26 (a), 675 IAC 12-6-2 and 675 IAC 20.
2. The pool is constructed without at least two (2) main drains/outlets provided in the lowest point of the pool that are manifolded together to allow for 100% of the system's flow through either drain. These drains must be separated by three (3) feet but not more than 30' of manifold pipe. This is a violation of 410 IAC 6-2.1-26(a), 675 IAC 20-2020.1(c), and 675 IAC 20-2-17(g). The two additional outlets in the sidewall of the pool near the skimmer are not in the lowest portion of the pool and therefore do not replace one of the two necessary main drains/outlets.
3. The two outlets located several feet below the water line (not at the deepest portion of the pool and not surface skimmers) near the single skimmer are not positioned to facilitate uniform circulation of water once the required two main drains have been installed in the deepest portion of the pool. This is a violation of 410 IAC 6-2.1-26(a) and 675 IAC 20-2-20.1(a).
4. The roughly 597ft² surface area pool has a single surface skimmer, despite needing one surface skimmer for every 500ft² of surface area. This is a violation of 410 IAC 6-2.1-26(a) and 675 IAC 20-2-21(c)(2). At least one additional surface skimmer is required. Surface skimmers should be positioned to facilitate uniform circulation of the water.
5. A meter to measure the flow of water through the pool water recirculation system was not provided. This is a violation of 410 IAC 6-2.1-32(c). Until a flow gauge is installed, numerous additional factors such as the turnover rate of the pool and the sizing of the filter (max flow rate) cannot be evaluated.
6. The pool is not fenced with a fence at least 6 feet high and constructed to discourage the entrance of unwanted persons. This is a violation of 410 IAC 6-2.1-26(a) and 675 IAC 20-2-26(f). The current fence is approximately 5' high.
7. Fence gates are not both self latching and self closing. This is a violation 410 IAC 6-2.1-26(a) and 675 IAC 20-2-26(f). Any gate utilized by patrons (and not padlocked at the time of use) MUST be both self-closing and self-latching.
8. Pool chemicals and chemical feeders were stored in an unsecured area accessible to patrons (no fence or building to restrict access to the acid feeder). This is a violation of 410 IAC 6-2.1-33(c).
9. Depth markings were not provided on the vertical pool wall above the waterline AND on the top of the coping or edge with 4" letters as specified in 675 IAC 20-2-26 (c). This is a violation of 410 IAC 6-2.1-26(a) and 675 IAC 20-2-26 (c).
10. A transition line was not provided where the pool depth transitions from shallow (less than 5') to deep (greater than 5') as described in 675 IAC 20-2-26(b). This is a violation of 410 IAC 6-2.1-26 (a) and 675 IAC 20-2-26(b).
11. The warning signs required in 410 IAC 6-2.1-36(a) and (b) are not provided. This is a violation of 410 IAC 6-2.1-36.

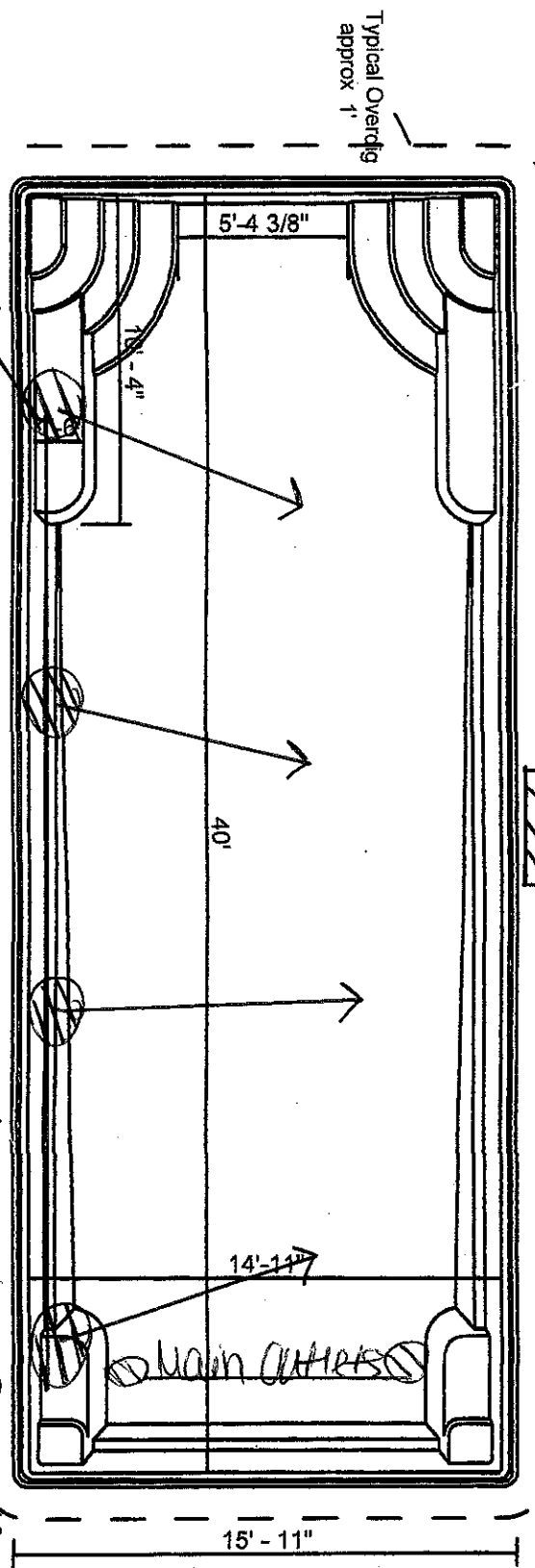
If you have questions, please contact the Henry County Health Department.

THURSDAY POOLS

Goliath 1641

Depth: 3' - 8" to 6' - 8"

4" Hayward spray skimmer location



*Water return jets with adjustable speeds & direction allowing water movement towards skimmer.

Skimmer & jets: water return to pump operates at four (4) speed variations. When operating at no. 1 system runs at 47 GPM, no. 2 operates at 100 GPM, no. 3 70 GPM, no. 4 85-100 GPM with rates changeable at any time, along with changeable direction to accommodate 100% of surface water.

Sheet No. DB Revision No. 01	To be filed out by Thursday Pools LLC Date: 9/25/13	To be filed out by Pool Dealer POOL NAME: Goliath 1641 OWNER: ADDRESS: POOL DEALER:	THURSDAY POOLS, LLC your weekend starts early with us . . . 840 Commerce Parkway Fortville, Indiana 46040 Note: for technical help please call Thursday Pools LLC at Toll Free (877) 828-POOL (7665) Local (317) 873-0280	CONTROL <table border="1"> <tr> <td>Designed By:</td> <td>Created By:</td> <td>Checked By:</td> </tr> <tr> <td>D.C.</td> <td>TP</td> <td>SK</td> </tr> </table>	Designed By:	Created By:	Checked By:	D.C.	TP	SK	SPECIFICATIONS: volume: 17,000 gal. (est.) Weight: 3,850 lbs. (est.) Area: 600 sq. ft. (est.) Perimeter: 110' SCALE:
	Designed By:	Created By:	Checked By:								
D.C.	TP	SK									

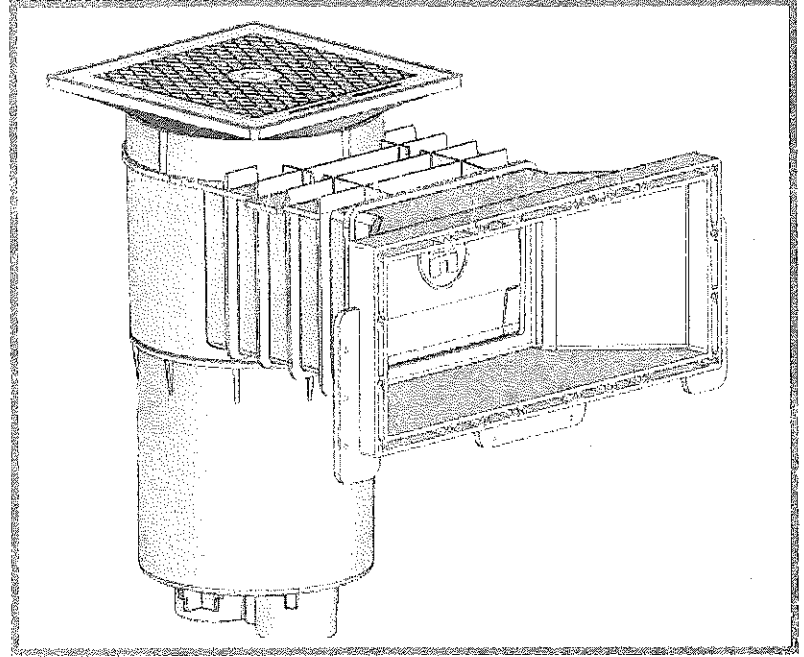
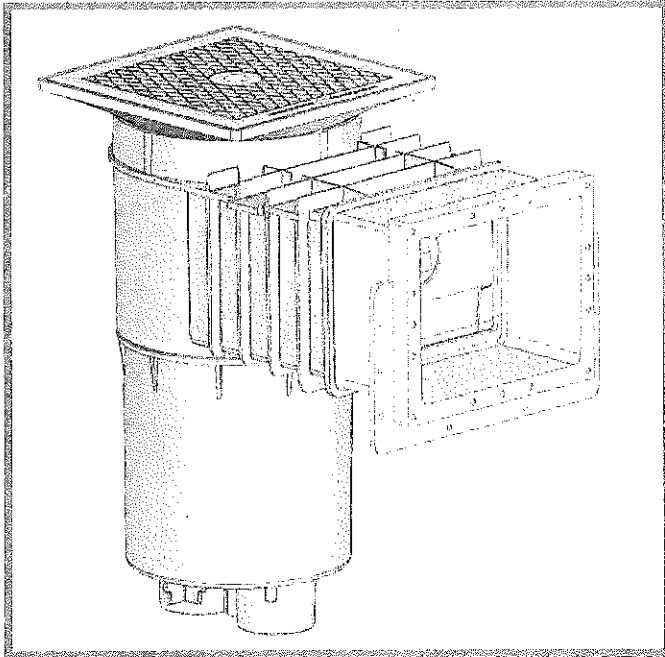
A/Skimmer

IS1084 Rev: F



SERIES AUTO-SKIM™ by HAYWARD®

Owner's Manual



AUTOMATIC SURFACE SKIMMER

Models SP1084-SP1085

IMPORTANT SAFETY INSTRUCTIONS

Basic safety precautions should always be followed, including the following: Failure to follow instructions can cause severe injury and/or death.

⚠ This is the safety-alert symbol. When you see this symbol on your equipment or in this manual, look for one of the following signal words and be alert to the potential for personal injury.

⚠ **WARNING** warns about hazards that **could** cause serious personal injury, death or major property damage and if ignored presents a potential hazard.

⚠ **CAUTION** warns about hazards that **will** or **can** cause minor or moderate personal injury and/or property damage and if ignored presents a potential hazard. It can also make consumers aware of actions that are unpredictable and unsafe.

The **NOTICE** label indicates special instructions that are important but not related to hazards.

Hayward Pool Products
620 Division Street, Elizabeth, NJ 07207
Phone: (908) 351.5400
www.haywardnet.com

INSTALLATION INSTRUCTIONS:

The SP1084/1085 Series Auto-Skim™ is a rugged and versatile automatic surface skimmer molded of non-corrosive ABS for residential or commercial installations. The SP1084/1085 is the basic skimmer unit, featuring totally corrosion-proof, body, adjustable deck collar and square access cover, self-adjusting weir, large debris basket, and multiple plumbing connections for easier installation. The optional SP1082FV Float Valve/By-Pass Assembly installs easily in the SP1084 / SP1085 basic skimmer to provide a suction outlet thru-skimmer system and an auto safety by-pass for low water conditions.

Where required for commercial installations, the SP1082FVEKIT Float Valve and Equalizer Valve Kit and cover WG1082E can easily adapt the skimmer of your choice for commercial application. Refer to illustrations for details.

BASIC SKIMMER UNIT

FLOW ADJUSTMENT For full flow, move Flo-Control Slide Plate to full open.
To adjust flow, move Slide Plate to desired position over pump outlet.

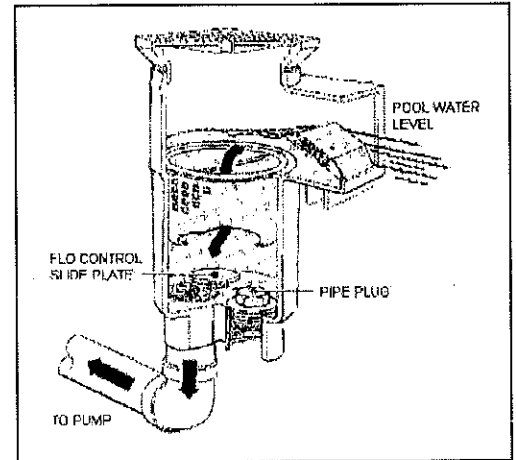
TO VACUUM Remove cover and basket. Screw hose adapter into pump outlet. Fill vacuum hose with water and insert over hose adapter. Or use optional SP1106 or SP1107 Skim-Vac over basket vacuum plate.

SKIMMER INSTALLED WITH SUCTION OUTLET CONNECTION AND SP1082GV VALVE.

FULL SKIM- Place valve lever in straight-up position. Open Slide Plate.
FULL SUCTION OUTLET (SWEEP)- Place Valve Lever in down position. Close Slide Plate

1/2 SKIM - 1/2 SUCTION OUTLET- Place Valve Lever at 45°. - Open Slide Plate 1/2.

WARNING: To prevent hair or body entrapment, a suction outlet fitting conforming to ANSI/ASME A112.19.8 must be installed.



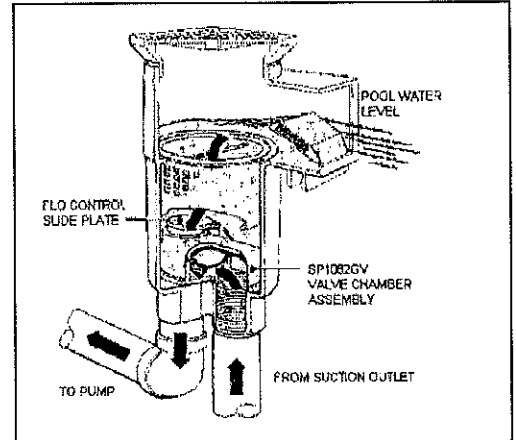
SKIMMER INSTALLED WITH SUCTION OUTLET CONNECTION AND FLOAT VALVE.

When used with the SP1082FV Float Valve, water is drawn by pump suction from the surface of the pool and from the suction outlet line. Flow is balanced by means of the Flo-Control Trimmer Plate under the float valve assembly. If obstruction to flow or evaporation occurs, causing a significant reduction of flow over the weir, the float will automatically snap shut. This diverts all flow to the pump from the suction outlet line and prevents possible air lock. When the pump is shut off, the float will rise back to the top of the float valve assembly, allowing for normal operation.

WARNING: To prevent hair or body entrapment, a suction outlet fitting conforming to ANSI/ASME A112.19.8 must be installed.

TO SWEEP / BRUSH To divert all suction to the suction outlet, simply hold the weir up above normal operating level and allow the float to "snap" shut. Or, lift out float valve assembly, close flo-control plate and replace. To reset float after sweeping, turn off pump for 10-15 seconds and allow float to rise.

TO VACUUM Remove cover, basket and float valve assembly. Screw hose adapter into pump outlet. Fill vacuum hose with water and insert over hose adapter. Or use optional SP1106 Skim-Vac. If Skim-Vac is used, block off suction outlet port for maximum efficiency.

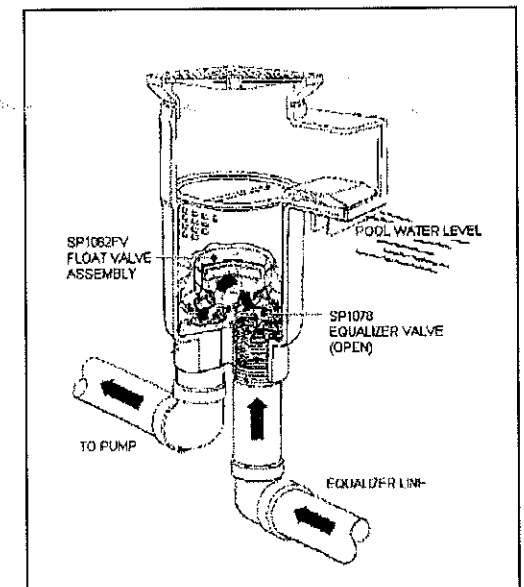


SKIMMER INSTALLED WITH EQUALIZER VALVE AND FLOAT VALVE

When using SP1082FVEKIT for commercial application, the Equalizer Check Valve installs over front port, and is used in conjunction with the Float Valve. If water level drops below skimmer opening, or if skimmer flow is obstructed, the float will automatically snap shut and the equalizer valve will open. This diverts all flow to the pump from the equalizer line and prevents airlock in the pump. When the pump is shut off, and the water level condition is corrected, the float will rise and the equalizer valve will close, allowing normal skimming operation when the pump is restarted.

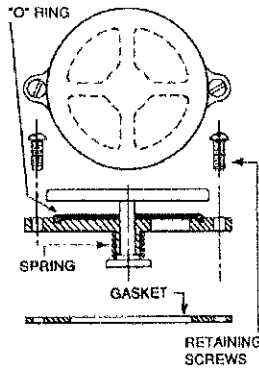
WARNING: To prevent hair or body entrapment at the skimmer equalizer, a equalizer wall or a suction outlet fitting conforming to ANSI/ASME A112.19.8 must be installed.

	FLOW RATING			
	MAXIMUM		MINIMUM	
PIPE	GPM	LPM	GPM	LPM
1 1/2"	36	136	10	37
2"	55	206	10	37



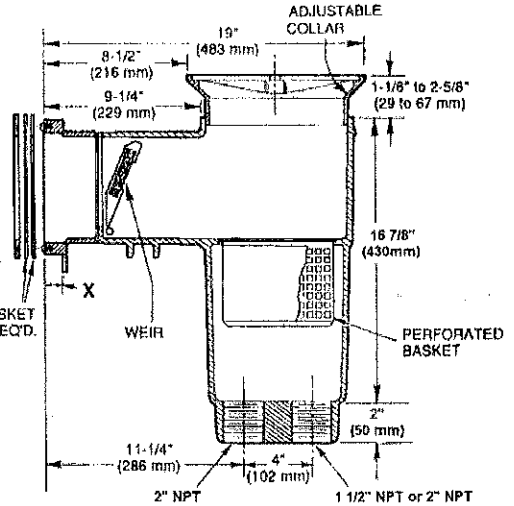
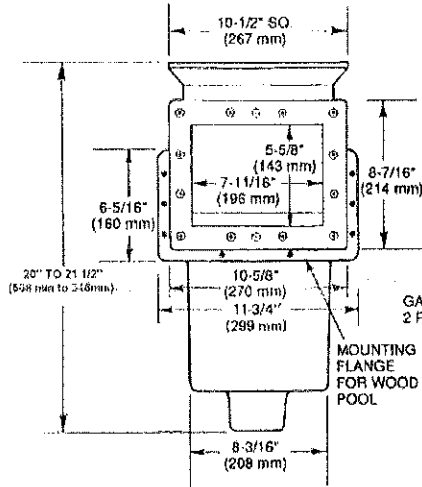
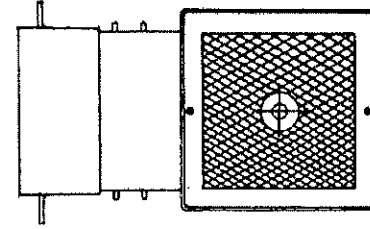
USE ONLY HAYWARD GENUINE REPLACEMENT PARTS

EQUALIZER VALVE ASSEMBLY SP1078

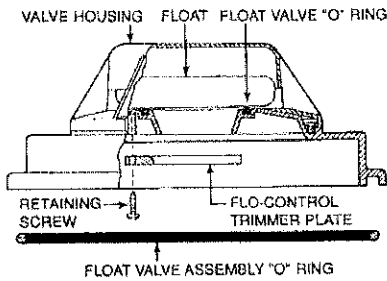


1. Place gasket over equalizer port. (Normally the port closest to the pool.) Align the holes in the gasket with the skimmer body.
2. Place Equalizer Assembly over gasket.
3. Insert the screws through the ear tabs and gasket. Tighten retaining screws.

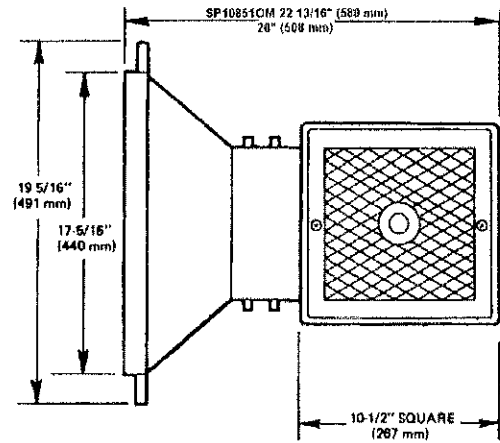
Part No.	"X" Inch
Sp10841	3/4
Sp10841R	3/4
SP10841OM	3/32
SP10841OMR	3/32
SP1084	3/4



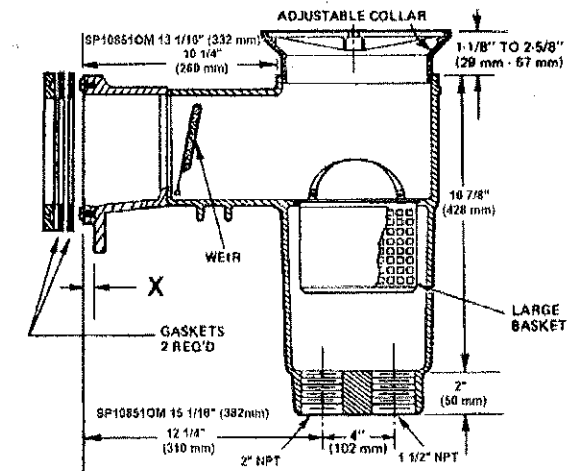
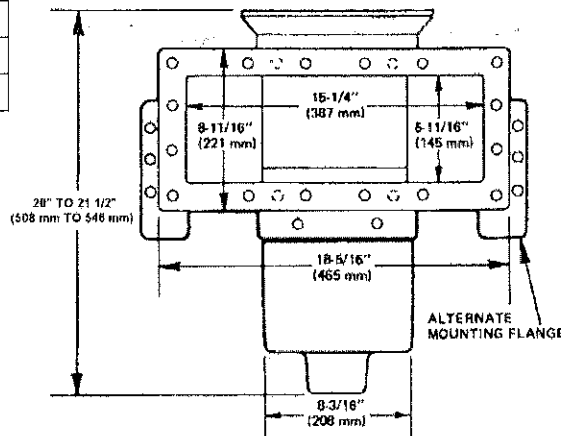
SKIMMER / SUCTION OUTLET FLOAT BY-PASS SP1082FV



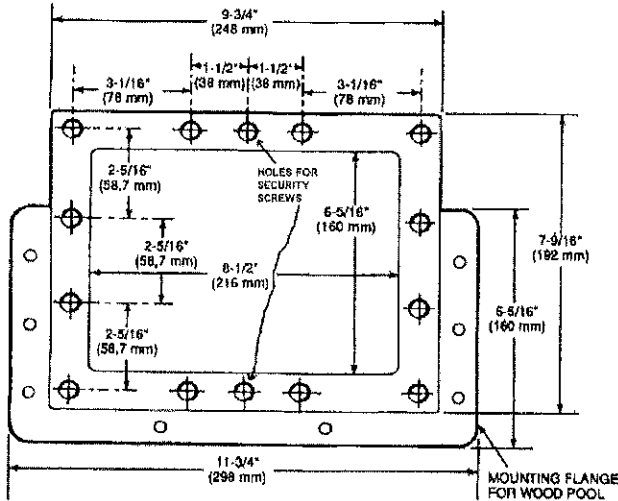
1. From body of skimmer remove pipe plug (in installed), screw and Flo-Control Slide Plate (if installed).
2. Using the screw provided, attach the Flo-Control Trimmer Plate to float assembly.
3. Place Float Valve Assembly, assuring the o-ring is in place, into the skimmer. Adjust Flo-Control Trimmer Plate as desired.



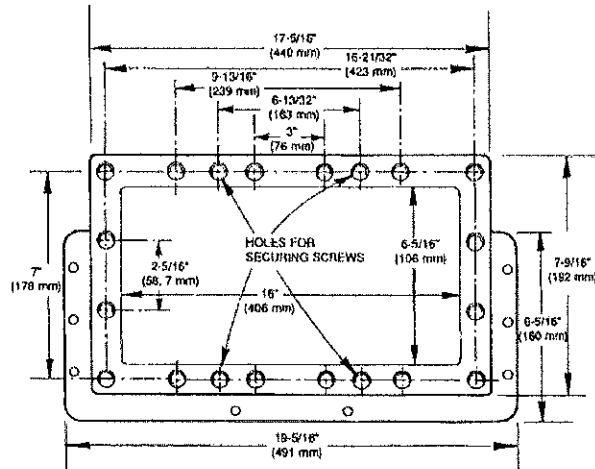
Part No.	X inch
SP10851OM	3/32
SP10852	3/4
SP10852OM	3/32



USE ONLY HAYWARD GENUINE REPLACEMENT PARTS

SP1084 SERIES


CUT OUT PANEL : A-HEIGHT MAX 6 1/4" (150mm) Min 6" (152mm)
 B-WIDTH MAX 8 3/4" (210mm) MIN 8" (203mm)
 DRILL or PUNCH 14 HOLES 3/4" DIAMETER AS SHOWN, TWELVE (12)
 FOR THRU HOLES , TWO (2) FOR SECURING SCREWS

SP1085 SERIES


CUT OUT PANEL : A-HEIGHT MAX 6 1/4" (150mm) Min 6" (152mm)
 B-WIDTH MAX 15 13/16" (210mm) MIN 15 9/16" (203mm)
 DRILL or PUNCH 20 HOLES 3/4" DIAMETER AS SHOWN, TWELVE (16)
 FOR THRU HOLES , TWO (4) FOR SECURING SCREWS

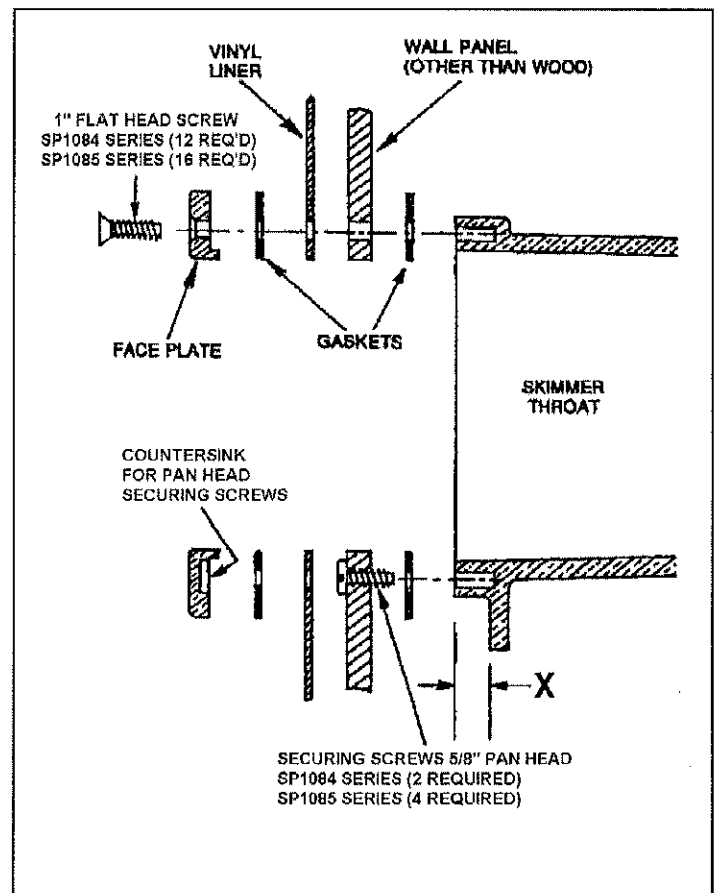
INSTRUCTIONS FOR OTHER THAN WOOD PANEL

1. Drill and cut wall panel section per above dimensions
2. Place gasket on skimmer face, making sure holes in gasket align with holes in skimmer face. (A very light application of silicon sealant will assist in holding gasket in place.)
3. Align skimmer face and gasket with drilled panel holes and fasten to wall panel at top center and bottom center (For SP1084 Series) with the pan head securing screws. Use appropriate holes and four screws for SP1085 Series.
4. If vinyl liner pool, install liner before proceeding to step 5.
5. Align second gasket and face plate. Tightly fasten the skimmer face with the 1" long flat head screws. Sp1084 series (12) Sp1085 Series (16). If vinyl liner pool, pierce liner through face plate holes one at a time prior to inserting screws. Screws must go through Face Plate, Gasket, Liner, Wall Panel, Gasket, and into Skimmer Face.
6. If vinyl liner pool, cut out liner along inside edge of Face Plate.

5. Align second gasket and face plate. Fasten tightly to skimmer face with 1" screws. Sp1084 series (12) Sp1085 Series (16). Pierce liner through face plate holes one at a time by inserting screws.
6. Cut out liner along inside edge of Face Plate.

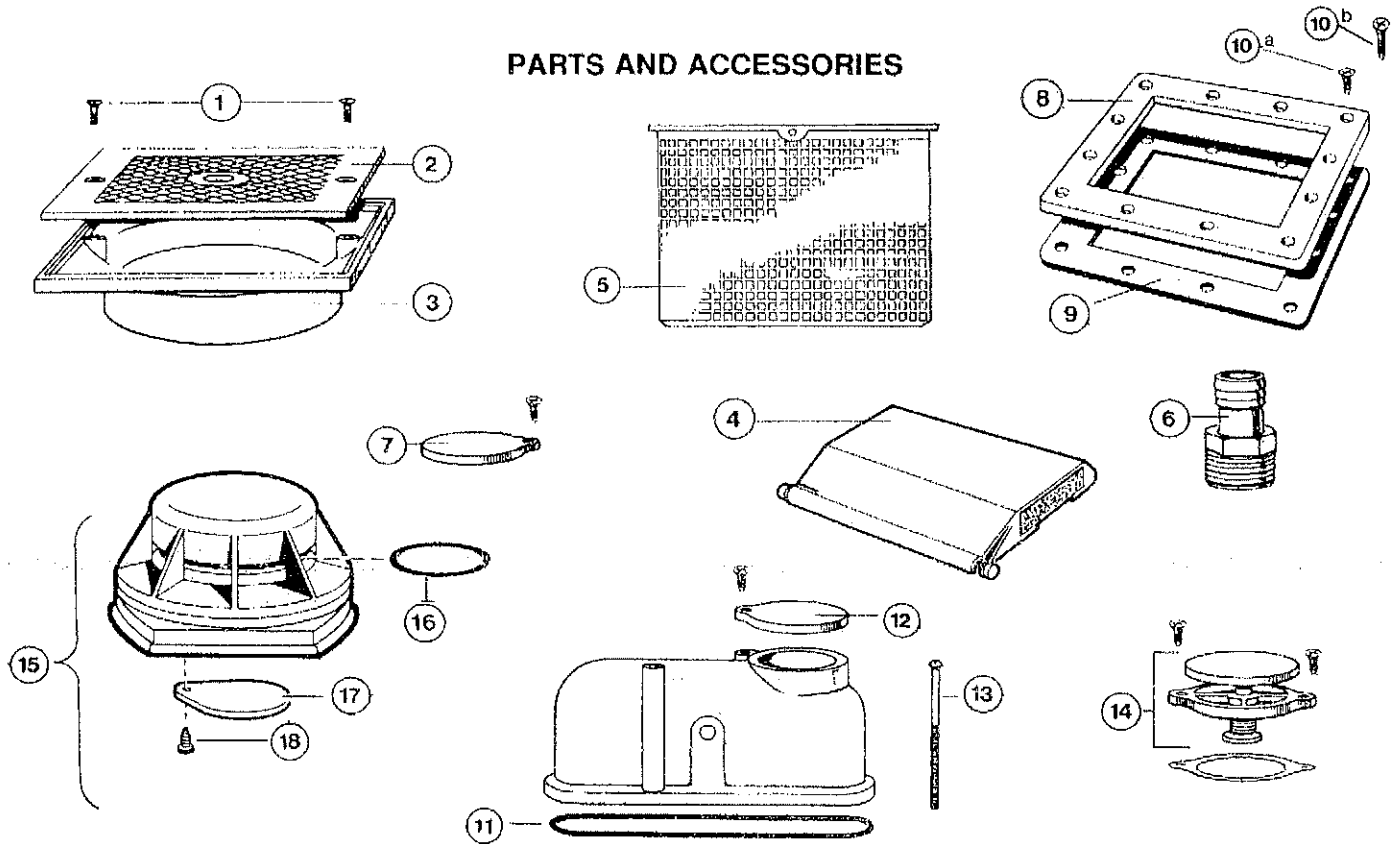
INSTRUCTIONS FOR WOOD PANEL WITH VINYL LINER

1. Cut out wall panel approximately 1/8" larger than outside dimensions of skimmer face (NOT Face Plate)
2. Insert skimmer into panel cut out from rear. Butt the mounting flange against the rear of the panel. Use "U" shims, if necessary to make the face of the skimmer flush with the inside of the pool. Fasten the skimmer to the rear of the wood panel by securing with stainless or brass wood screws through the skimmer mounting flange.
3. Place gasket on skimmer face, make sure the holes in the gasket align with holes in skimmer face. (A very light application of silicon sealant will assist in holding gasket in place.)
4. Install vinyl liner.



USE ONLY HAYWARD GENUINE REPLACEMENT PARTS

PARTS AND ACCESSORIES



REF NO.	PART NUMBER	DESCRIPTION	NO. REQ'D
1	SPX1082Z1	COVER RETAINING SCREW	2
2	SPX1082E*	COVER - SQUARE	1
2	WGX1082E	COVER - SQUARE FOR COMMERCIAL APPLICATIONS	
2	SPX1084R	COVER - ROUND	
3	SPX1082F	ADJUSTING COLLAR - SQUARE	1
4	SPX1082K*	WEIR ASSEMBLY	1
5	SPX1082CA	BASKET	1
6	SPX1082Z3	VACUUM ADAPTER	1
7	SPX1082H1	FLO-CONTROL SLIDE PLATE	1
8	SPX1048L*	FACE PLATE (SP1084)	1
8a	SPX1085B*	FACE PLATE (SP1085) WIDE TRACK	1
9	SPX1084B	GASKET (SP1084)	2
9	SPX1085D	GASKET (SP1085) WIDE TRACK	2
10	SPX1084Z4	SCREW SET CONTAINING 12 SHORT FLAT HEAD SCREWS AND 2 PAN HEAD SCREWS	1
10	SPX1084Z4AM	SCREW SET CONTAINING 12 LONG FLAT HEAD SCREWS AND 2 PAN HEAD SCREWS	1
10	SPX1085Z1	SCREW SET CONTAINING 16 SHORT FLAT HEAD SCREWS AND 2 PAN HEAD SCREWS FOR WIDE TRACK	1
10	SPX1085Z1AM	SCREW SET CONTAINING 16 LONG FLAT HEAD SCREWS AND 4 PAN HEAD SCREWS FOR WIDE TRACK	1

* Add GR, DGR, or BLK suffix for Gray, Dark Gray or Black

11	SPX1082Z5B	O-RING	1
12	SPX1082H1A	FLO-CONTROL SLIDE PLATE	1
13	SPX1082Z6	RETAINING SCREW	2
14	SP1078	EQUALIZER VALVE ASSEMBLY	1
15	SP1082FV	FLOAT VALVE ASSEMBLY	1
16	SPX1070Z2	FLOAT VALVE O-RING	1
17	SPX1070FA	FLO-CONTROL PLATE	1
18	SPX1070Z6	RETAINING SCREW	1
19	SP1082GV	SKIMMER VALVE ASSEMBLY	
20	SP1106	ASSEMBLY SKIM-VAC PLATE W/ GASKET (NOT PICTURED)	
21	SP1107	SKIM-VAC PLATE (NOT PICTURED)	

USE ONLY HAYWARD GENUINE REPLACEMENT PARTS

B) Main Outlet

CERTIFICATION OF COMPLIANCE

5" SUPER HI-FLO SUCTION: SPC-3 VP

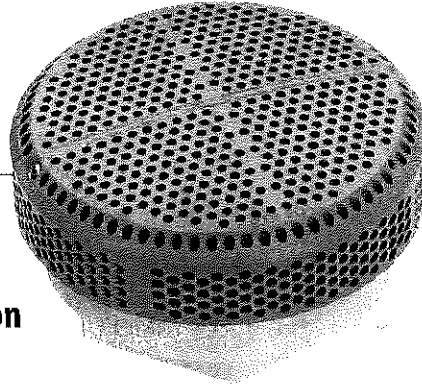
Contents: 1 - 2

Model Number: **SPC-3 VP**

Description: **Super Hi-Flo Suction**

Size: **5"**

Wall Flow Rate: **251 GPM**



Date of Installation: _____

Name of Installer: Herdyach Pool

Signature of Installer: [Signature]

This product has been tested, certified and listed to the requirements of ASME/ANSI A112.19.8-2007, ASME/ANSI A112.19.8a-2008, ASME/ANSI A112.19.8b-2009 and APSP-16-2011 per §1404 of the Virginia Graham Baker (VGB 2008) Pool and Spa Safety Act. Certified by: Underwriters Laboratories, Inc., 2929 E. Imperial Highway, Suite 100, Brea, CA 92821-6729

This product is certified to comply with §1404 of the Virginia Graham Baker (VGB 2008) Pool and Spa Safety Act. A copy of the test results for the above may be found at www.waterwayplastics.com or go to: www.ul.com. This product is manufactured by Waterway Plastics, Oxnard CA 93030

This certificate not valid without signature.



Waterway™

2200 East Sturgis Road Oxnard CA 93030 • Phone 805.981.0262 • Fax 805.981.9403
waterway@waterwayplastics.com • www.waterwayplastics.com

Middletown Volunteer Fire Department

317-354-2281
Middletown, Indiana 47356

Since 1896

July 14, 2016

Middletown Fire Department
Brian Rednour, Chief
653 Locust Street
Middletown, IN 47356

To Whom It May Concern:

I have received the application for variance from SVC (Spring Valley Camp) 8186 W CR 575 N,
Middletown, IN 47356.


Brian Rednour, Chief

SVC Pool skimmer variance

Inbox x

**springvalleycamp**

Hi Larry, per our conversation, here is our application request for variance,...

Larry Toy <ltoy@henryco.net>

3:34 PM

to me

The Henry County, Building Department has received the variance request for the skimmer.
If we can be of any help please let me know.

Thanks

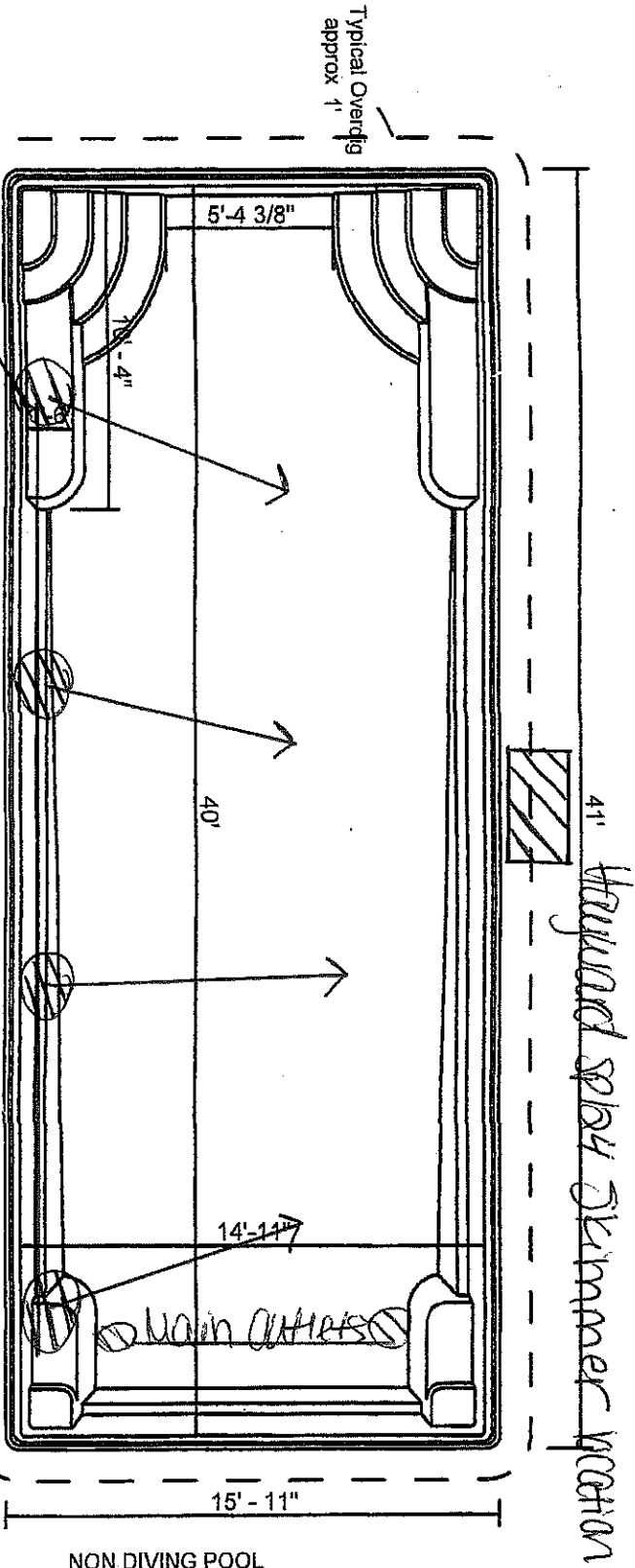
Larry a. toy

Henry Co. Building commissioner

From: springvalleycamp [mailto:springvalleycamp@gmail.com]**Sent:** Friday, July 01, 2016 2:01 PM**To:** Larry Toy**Subject:** SVC Pool skimmer variance

THURSDAY POOLS®

Goliath 1641 Depth: 3' - 8" to 6' - 8"



*WATER RETURN JETS WITH ADJUSTABLE SPEEDS & DIRECTION SHOWING WATER MOVEMENT TOWARDS SKIMMER.

Skimmer & jets: water return to pump operates at four (4) speed variations. When operating at no. 1 system runs at 47 GPM, no. 2 operates at 100 GPM, no. 3 70 GPM, no. 4 85-100 GPM WITH KATES CHANGABLE AT ANY TIME, along with chngable deflects made to accommodate 100% of surface water.

NON DIVING POOL

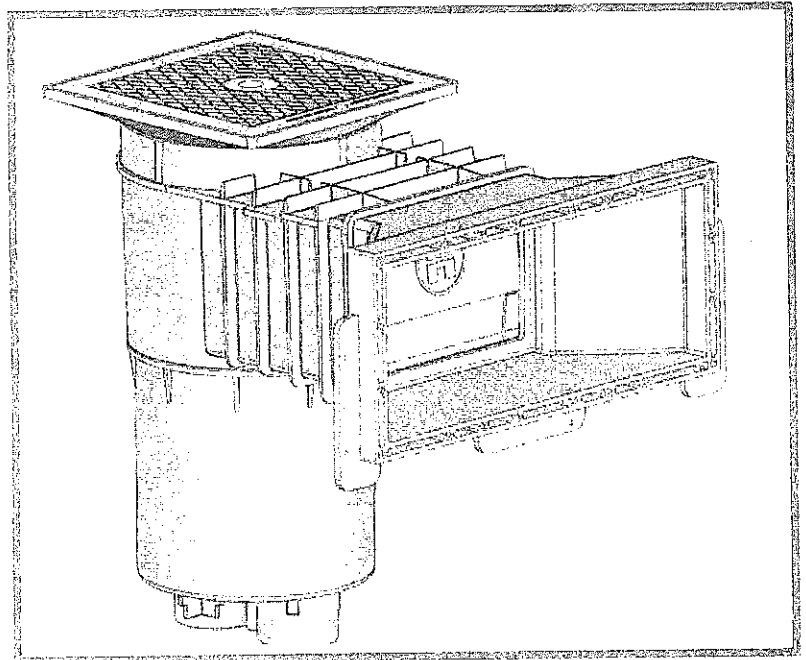
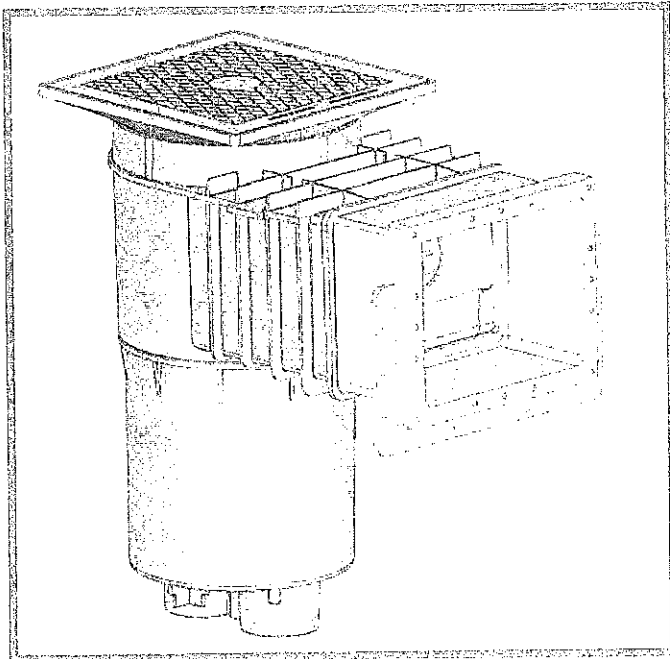
Sheet No. DB Revised No. 01	To be filled in by Thursday Pools LLC Date: 9/25/13	To be filled in by Pool Dealer POOL NAME: Goliath 1641 OWNER: ADDRESS: POOL DEALER:	THURSDAY POOLS, LLC your weekend starts early with us . . . 840 Commerce Parkway Fortville, Indiana 46040 Note: for technical help please call Thursday Pools LLC at Toll Free (877) 928-POOL (7665) Local (317) 973-0200	CONTROL <table border="1"> <tr> <td>Designed By:</td> <td>Drewn By:</td> <td>Checked By:</td> </tr> <tr> <td>D.C.</td> <td>TP</td> <td>BK</td> </tr> </table>	Designed By:	Drewn By:	Checked By:	D.C.	TP	BK	SPECIFICATIONS: volume: 17,000 gal Weight: 3,850 lbs Area: 600 sq. ft. Perimeter: 110' SCALE:
	Designed By:	Drewn By:	Checked By:								
D.C.	TP	BK									



HAYWARD®

SERIES AUTO-SKIM™ by HAYWARD®

Owner's Manual



AUTOMATIC SURFACE SKIMMER

Models SP1084-SP1085

IMPORTANT SAFETY INSTRUCTIONS

Basic safety precautions should always be followed, including the following: Failure to follow instructions can cause severe injury and/or death.

⚠ This is the safety-alert symbol. When you see this symbol on your equipment or in this manual, look for one of the following signal words and be alert to the potential for personal injury.

⚠ WARNING warns about hazards that could cause serious personal injury, death or major property damage and if ignored presents a potential hazard.

⚠ CAUTION warns about hazards that will or can cause minor or moderate personal injury and/or property damage and if ignored presents a potential hazard. It can also make consumers aware of actions that are unpredictable and unsafe.

The **NOTICE** label indicates special instructions that are important but not related to hazards.

Hayward Pool Products
620 Division Street, Elizabeth, NJ 07207
Phone: (908) 351.5400
www.haywardnet.com

INSTALLATION INSTRUCTIONS:

The SP1084/1085 Series Auto-Skim™ is a rugged and versatile automatic surface skimmer molded of non-corrosive ABS for residential or commercial installations. The SP1084/1085 is the basic skimmer unit, featuring totally corrosion-proof, body, adjustable deck collar and square access cover, self-adjusting weir, large debris basket, and multiple plumbing connections for easier installation. The optional SP1082FV Float Valve/By-Pass Assembly installs easily in the SP1084 / SP1085 basic skimmer to provide a suction outlet thru-skimmer system and an auto safety by-pass for low water conditions.

Where required for commercial installations, the SP1082FVEKIT Float Valve and Equalizer Valve Kit and cover WG1082E can easily adapt the skimmer of your choice for commercial application. Refer to illustrations for details.

BASIC SKIMMER UNIT

FLOW ADJUSTMENT For full flow, move Flo-Control Slide Plate to full open. To adjust flow, move Slide Plate to desired position over pump outlet.

TO VACUUM Remove cover and basket. Screw hose adapter into pump outlet. Fill vacuum hose with water and insert over hose adapter. Or use optional SP1106 or SP1107 Skim-Vac over basket vacuum plate.

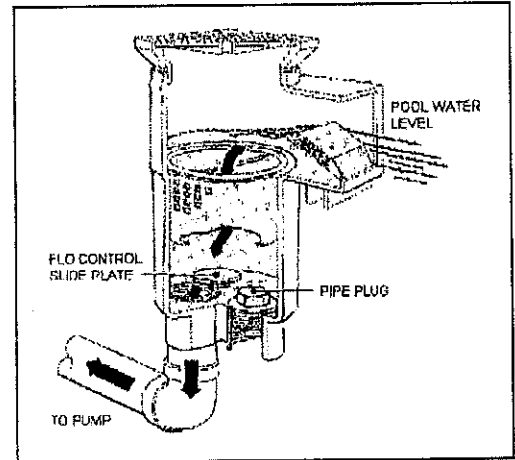
SKIMMER INSTALLED WITH SUCTION OUTLET CONNECTION AND SP1082GV VALVE.

FULL SKIM- Place valve lever in straight-up position. Open Slide Plate.

FULL SUCTION OUTLET (SWEEP)-Place Valve Lever in down position. Close Slide Valve

1/2 SKIM – **1/2 SUCTION OUTLET**- Place Valve Lever at 45°. – Open Slide Plate 1/2.

WARNING: To prevent hair or body entrapment, a suction outlet fitting conforming to ANSI/ASME A112.19.8 must be installed.



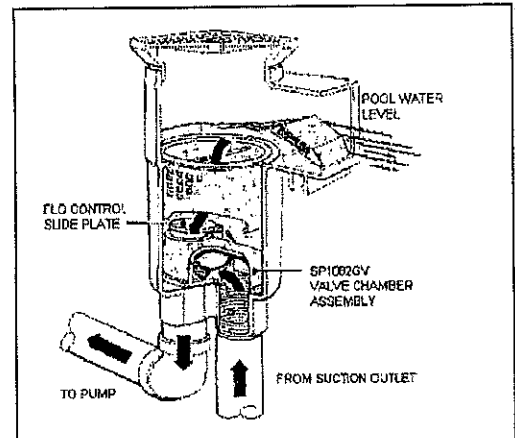
SKIMMER INSTALLED WITH SUCTION OUTLET CONNECTION AND FLOAT VALVE.

When used with the SP1082FV Float Valve, water is drawn by pump suction from the surface of the pool and from the suction outlet line. Flow is balanced by means of the Flo- Control Trimmer Plate under the float valve assembly. If obstruction to flow or evaporation occurs, causing a significant reduction of flow over the weir, the float will automatically snap shut. This diverts all flow to the pump from the suction outlet line and prevents possible air lock. When the pump is shut off, the float will rise back to the top of the float valve assembly, allowing for normal operation.

WARNING: To prevent hair or body entrapment, a suction outlet fitting conforming to ANSI/ASME A112.19.8 must be installed.

TO SWEEP / BRUSH To divert all suction to the suction outlet, simply hold the weir up above normal operating level and allow the float to "snap" shut. Or, lift out float valve assembly, close flo-control plate and replace. To reset float after sweeping, turn off pump for 10-15 seconds and allow float to rise.

TO VACUUM Remove cover, basket and float valve assembly. Screw hose adapter into pump outlet. Fill vacuum hose with water and insert over hose adapter. Or use optional SP1106 Skim-Vac. If Skim-Vac is used, block off suction outlet port for maximum efficiency.

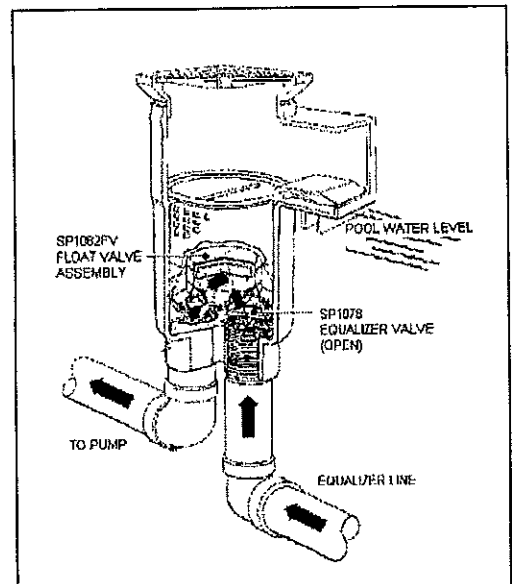


SKIMMER INSTALLED WITH EQUALIZER VALVE AND FLOAT VALVE

When using SP1082FVEKIT for commercial application, the Equalizer Check Valve installs over front port, and is used in conjunction with the Float Valve. If water level drops below skimmer opening, or if skimmer flow is obstructed, the float will automatically snap shut and the equalizer valve will open. This diverts all flow to the pump from the equalizer line and prevents airlock in the pump. When the pump is shut off, and the water level condition is corrected, the float will rise and the equalizer valve will close, allowing normal skimming operation when the pump is restarted.

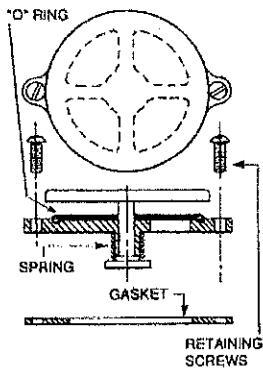
WARNING: To prevent hair or body entrapment at the skimmer equalizer, a equalizer wall or a suction outlet fitting conforming to ANSI/ASME A112.19.8 must be installed.

PIPE	FLOW RATING			
	MAXIMUM		MINIMUM	
	GPM	LPM	GPM	LPM
1 1/2"	36	136	10	37
2"	55	206	10	37



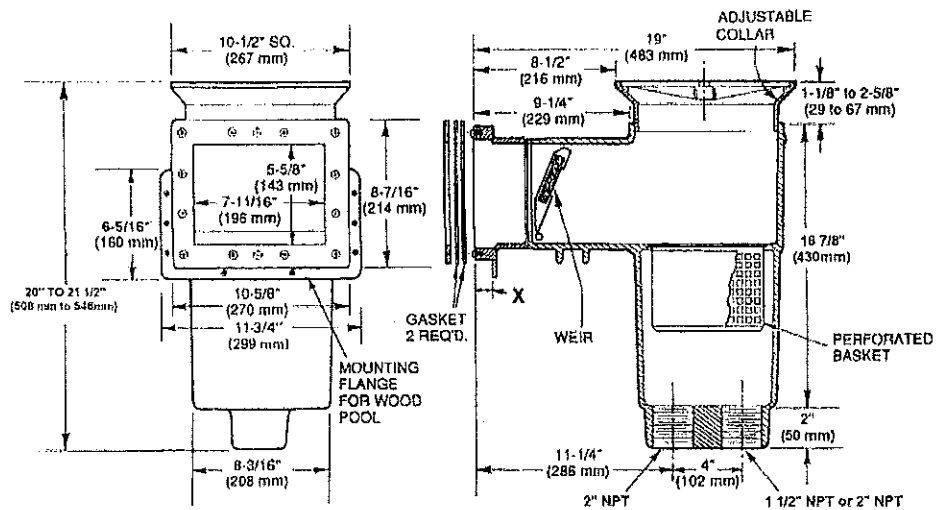
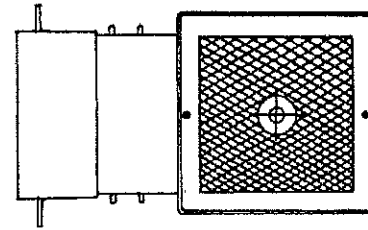
USE ONLY HAYWARD GENUINE REPLACEMENT PARTS

EQUALIZER VALVE ASSEMBLY SP1078

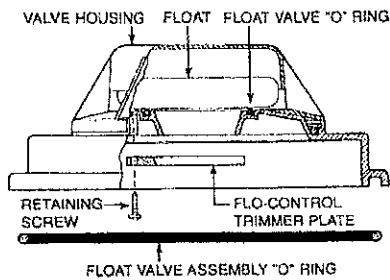


1. Place gasket over equalizer port. (Normally the port closest to the pool.) Align the holes in the gasket with the skimmer body.
2. Place Equalizer Assembly over gasket.
3. Insert the screws through the ear tabs and gasket. Tighten retaining screws.

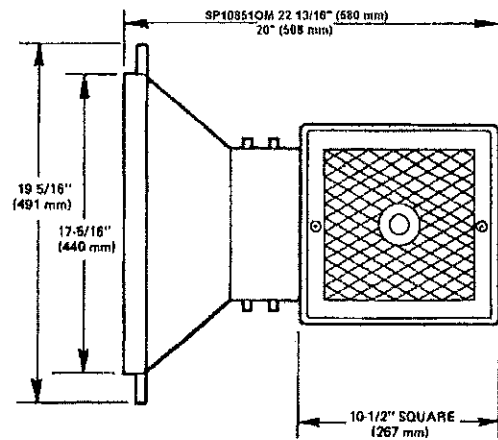
Part No.	"X" Inch
SP10841	3/4
SP10841R	3/4
SP10841OM	3/32
SP10841OMR	3/32
SP1084	3/4



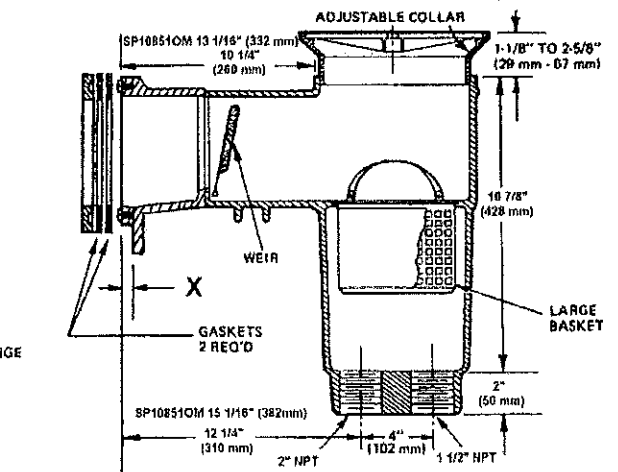
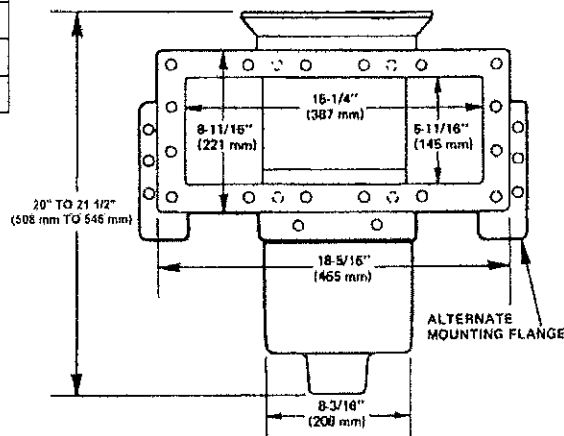
SKIMMER / SUCTION OUTLET FLOAT BY-PASS SP1082FV



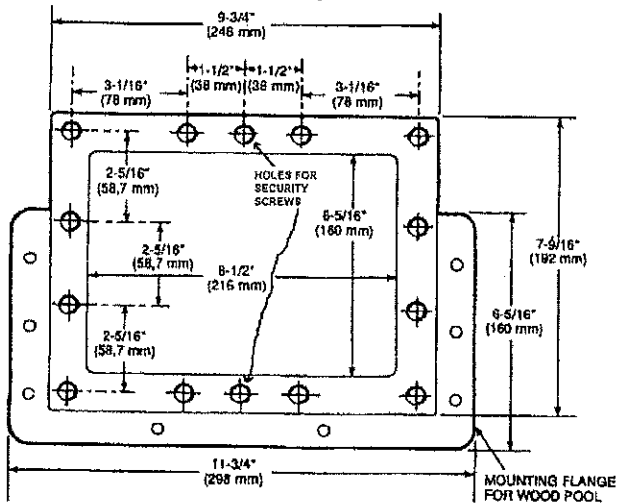
1. From body of skimmer remove pipe plug (in installed), screw and Flo-Control Slide Plate (if installed).
2. Using the screw provided, attach the Flo-Control Trimmer Plate to float assembly.
3. Place Float Valve Assembly, assuring the o-ring is in place, into the skimmer. Adjust Flo-Control Trimmer Plate as desired.



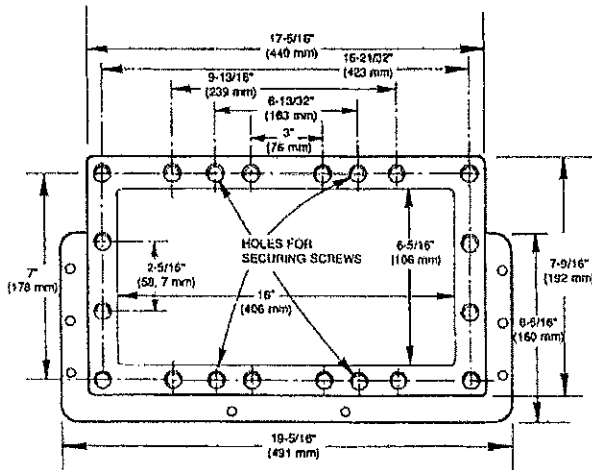
Part No.	X inch
SP10851OM	3/32
SP10852	3/4
SP10852OM	3/32



USE ONLY HAYWARD GENUINE REPLACEMENT PARTS

SP1084 SERIES


CUT OUT PANEL : A-HEIGHT MAX 6 1/4" (150mm) Min 6" (152mm)
 B-WIDTH MAX 8 1/4" (210mm) MIN 8" (203mm)
 DRILL or PUNCH 14 HOLES 3/4" DIAMETER AS SHOWN, TWELVE (12)
 FOR THRU HOLES , TWO (2) FOR SECURING SCREWS

SP1085 SERIES


CUT OUT PANEL : A-HEIGHT MAX 6 1/4" (150mm) Min 6" (152mm)
 B-WIDTH MAX 15 13/16" (210mm) MIN 15 9/16" (203mm)
 DRILL or PUNCH 20 HOLES 3/4" DIAMETER AS SHOWN, TWELVE (16)
 FOR THRU HOLES , TWO (4) FOR SECURING SCREWS

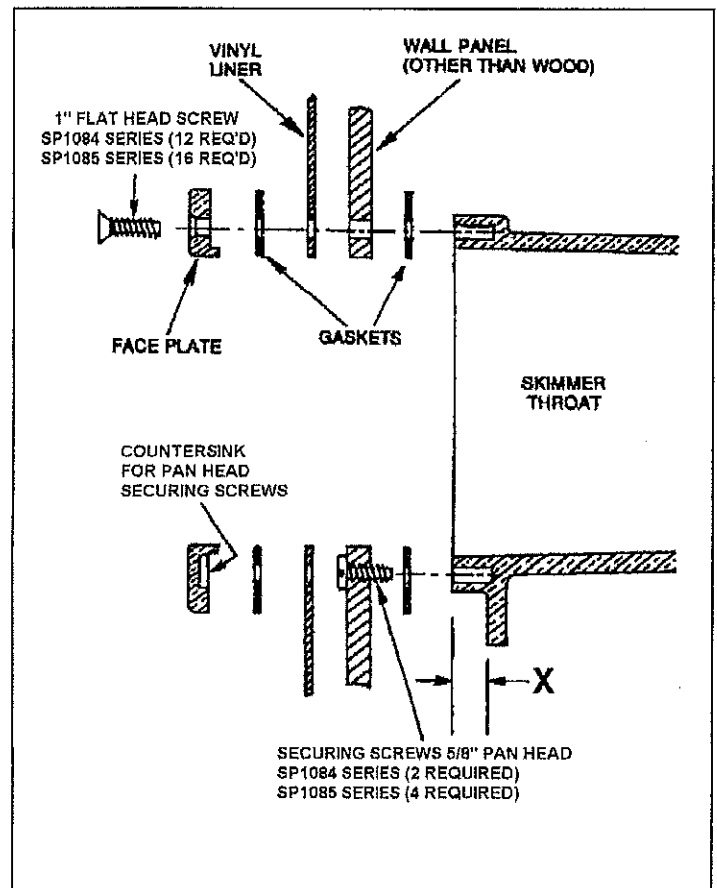
INSTRUCTIONS FOR OTHER THAN WOOD PANEL

1. Drill and cut wall panel section per above dimensions
2. Place gasket on skimmer face, making sure holes in gasket align with holes in skimmer face. (A very light application of silicon sealant will assist in holding gasket in place.)
3. Align skimmer face and gasket with drilled panel holes and fasten to wall panel at top center and bottom center (For SP1084 Series) with the pan head securing screws. Use appropriate holes and four screws for SP1085 Series.
4. If vinyl liner pool, install liner before proceeding to step 5.
5. Align second gasket and face plate. Tightly fasten the skimmer face with the 1" long flat head screws. Sp1084 series (12) Sp1085 Series (16). If vinyl liner pool, pierce liner through face plate holes one at a time prior to inserting screws. Screws must go through Face Plate, Gasket, Liner, Wall Panel, Gasket, and into Skimmer Face.
6. If vinyl liner pool, cut out liner along inside edge of Face Plate.

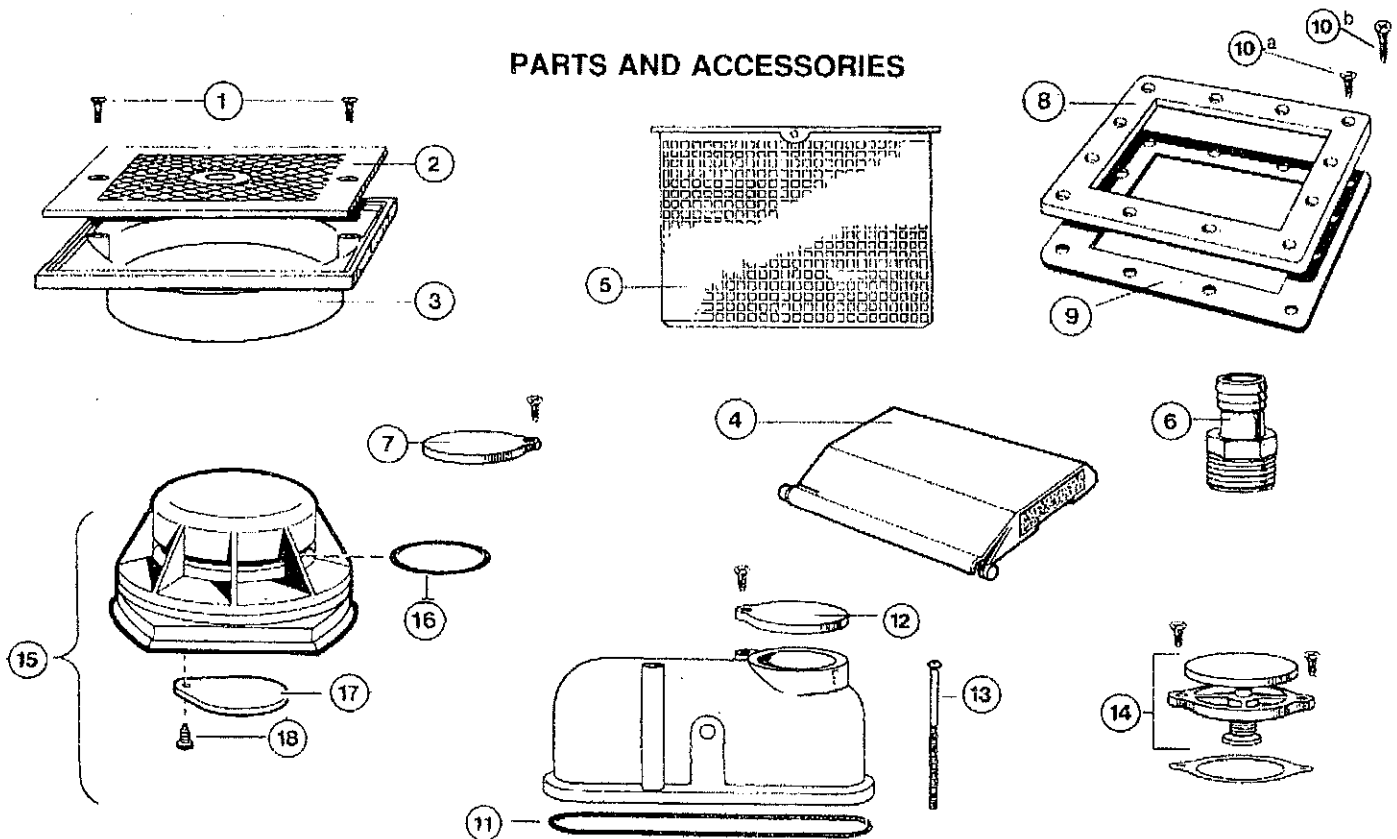
5. Align second gasket and face plate. Fasten tightly to skimmer face with 1" screws. Sp1084 series (12) Sp1085 Series (16). Pierce liner through face plate holes one at a time by inserting screws.
6. Cut out liner along inside edge of Face Plate.

INSTRUCTIONS FOR WOOD PANEL WITH VINYL LINER

1. Cut out wall panel approximately 1/8" larger than outside dimensions of skimmer face (NOT Face Plate)
2. Insert skimmer into panel cut out from rear. Butt the mounting flange against the rear of the panel. Use "U" shims, if necessary to make the face of the skimmer flush with the inside of the pool. Fasten the skimmer to the rear of the wood panel by securing with stainless or brass wood screws through the skimmer mounting flange.
3. Place gasket on skimmer face, make sure the holes in the gasket align with holes in skimmer face. (A very light application of silicon sealant will assist in holding gasket in place.)
4. Install vinyl liner.



USE ONLY HAYWARD GENUINE REPLACEMENT PARTS

PARTS AND ACCESSORIES


REF NO.	PART NUMBER	DESCRIPTION	NO. REQ'D
1	SPX1082Z1	COVER RETAINING SCREW	2
2	SPX1082E*	COVER - SQUARE	1
2	WGX1082E	COVER - SQUARE FOR COMMERCIAL APPLICATIONS	
2	SPX1084R	COVER - ROUND	
3	SPX1082F	ADJUSTING COLLAR - SQUARE	1
4	SPX1082K*	WEIR ASSEMBLY	1
5	SPX1082CA	BASKET	1
6	SPX1082Z3	VACUUM ADAPTER	1
7	SPX1082H1	FLO-CONTROL SLIDE PLATE	1
8	SPX1048L*	FACE PLATE (SP1084)	1
8a	SPX1085B*	FACE PLATE (SP1085) WIDE TRACK	1
9	SPX1084B	GASKET (SP1084)	2
9	SPX1085D	GASKET (SP1085) WIDE TRACK	2
10	SPX1084Z4	SCREW SET CONTAINING 12 SHORT FLAT HEAD SCREWS AND 2 PAN HEAD SCREWS	1
10	SPX1084Z4AM	SCREW SET CONTAINING 12 LONG FLAT HEAD SCREWS AND 2 PAN HEAD SCREWS	1
10	SPX1085Z1	SCREW SET CONTAINING 16 SHORT FLAT HEAD SCREWS AND 2 PAN HEAD SCREWS FOR WIDE TRACK	1
10	SPX1085Z1AM	SCREW SET CONTAINING 16 LONG FLAT HEAD SCREWS AND 4 PAN HEAD SCREWS FOR WIDE TRACK	1

* Add GR, DGR, or BLK suffix for Gray, Dark Gray or Black

11	SPX1082Z5B	O-RING	1
12	SPX1082H1A	FLO-CONTROL SLIDE PLATE	1
13	SPX1082Z6	RETAINING SCREW	2
14	SP1078	EQUALIZER VALVE ASSEMBLY	1
15	SP1082FV	FLOAT VALVE ASSEMBLY	1
16	SPX1070Z2	FLOAT VALVE O-RING	1
17	SPX1070FA	FLO-CONTROL PLATE	1
18	SPX1070Z6	RETAINING SCREW	1
19	SP1082GV	SKIMMER VALVE ASSEMBLY	
20	SP1106	ASSEMBLY SKIM-VAC PLATE W/ GASKET (NOT PICTURED)	
21	SP1107	SKIM-VAC PLATE (NOT PICTURED)	

USE ONLY HAYWARD GENUINE REPLACEMENT PARTS

B) Main Outlet

CERTIFICATION OF COMPLIANCE

5" SUPER HI-FLO SUCTION: SPC-3 VP

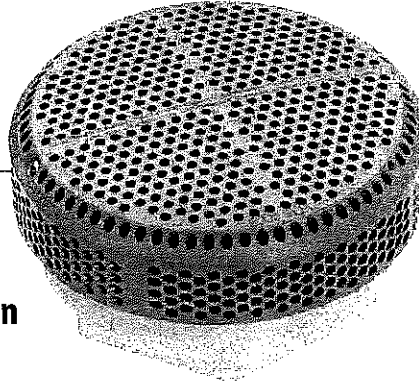
Contents: 1 - 2

Model Number: **SPC-3 VP**

Description: **Super Hi-Flo Suction**

Size: 5"

Wall Flow Rate: **251 GPM**



Date of Installation: _____

Name of Installer: Handy Pool

Signature of Installer: [Signature]

This product has been tested, certified and listed to the requirements of ASME/ANSI A112.19.8-2007, ASME/ANSI A112.19.8a-2008, ASME/ANSI A112.19.8b-2009 and APSP-16-2011 per §1404 of the Virginia Graham Baker (VGB 2008) Pool and Spa Safety Act. Certified by: Underwriters Laboratories, Inc., 2929 E. Imperial Highway, Suite 100, Brea, CA 92821-6729

This product is certified to comply with §1404 of the Virginia Graham Baker (VGB 2008) Pool and Spa Safety Act. A copy of the test results for the above may be found at www.waterwayplastics.com or go to: www.ul.com. This product is manufactured by Waterway Plastics, Oxnard CA 93030

This certificate not valid without signature.



2200 East Sturgis Road Oxnard CA 93030 • Phone 805.981.0262 • Fax 805.981.9403
waterway@waterwayplastics.com • www.waterwayplastics.com



Skimmer

Adjustable
directional
jets heads to
allow movement
of water
towards the
Skimmer