

Floyd County



BRIDGE INVENTORY REPORT - PHASE II - 2020

[County Map](#)



BRIDGE INVENTORY REPORT

Prepared for

FLOYD COUNTY, INDIANA

Phase II – 2020

THE BOARD OF COUNTY COMMISSIONERS
FLOYD COUNTY, INDIANA

Shawn Carruthers

John Schellenberger

Tim Kamer

Prepared by:



Approved by: Floyd
County Engineer

Nicholas J. Kocher

Nicholas J. Kocher, P.E.
Project Manager
IN000409-2020-ATL-F-LRE



Horacio E. Fleta
Horacio E. Fleta, P.E.

Michael Rowe

Michael A. Rowe, P.E.
Transportation Director



Table of Contents

Title Page	i
Table of Contents	1
Bridge Evaluation Criteria	2
Listing of Personnel/Qualifications	5
Signature of Team Leaders	5
Priority Schedule for Bridges	6
Increased Frequency Inspections List	8
Recommended Maintenance Items	9
List of Posted Bridges	15
List of Closed Bridges	16
List of Bridges That Must Be Posted	17
List of Bridges That Must Be Closed	18
List of Bridges That Require Posting Corrections	19
Summary of New, Rehabilitated, and Repaired Bridges	20
Summary of Added, Archived, and Deleted Bridges	21
Summary of Structure Types	22
Listing of Bridges With Inventory Routes On The National Highway System	23
Listing of Historical Structures	24
Listing of Navigable Waterways	25
Summary of Changes in Items 92A, 92B, and 92C	26
Inspection Status of Scour Critical Bridges	27
Load Capacity Status	28
Routine Inspection Status	31
Fracture Critical Inspection Status	34
Underwater/In-Water Inspection Status	35
Special Feature Inspection Status	36
Work Plan for Inspections and Re-Inspections	37
Master List of In-Depth Inspections	38
Structure Inventory and Appraisal Reports	By Bridge Number
Appendix A - NBI Item Descriptions and Structure Types Abbr.	
Appendix B - Supplemental Photos	
Appendix C - Fracture Critical and Special Feature Reports	

BRIDGE EVALUATION CRITERIA

Introduction

This report was prepared in accordance with the “**INDOT BRIDGE INSPECTION MANUAL, 2019**”, the AASHTO “**MANUAL FOR BRIDGE EVALUATION, THIRD EDITION, 2018**”, and the AASHTO “**STANDARD SPECIFICATIONS FOR HIGHWAY BRIDGES, 2002**”, and **ALL INTERIM SPECIFICATIONS**.

Scope

Included in this report is an appraisal for all public Highway Bridges with a total span of more than twenty feet in Floyd County, Indiana, except those bridges maintained by the Indiana Department of Transportation. Bridges located on the north or west borders of Floyd County are not included due to a statutory definition of responsibility, which gives the responsibility for these bridges to the adjoining county.

A total of ninety (90) bridges are included in this report.

Bridge Numbering System

The bridge numbering system used in this report corresponds with the numbering system used in the Inventory of County Highway Bridges compiled by Indiana LTAP (Local Transportation Assistance Program).

Structural Inventory and Appraisal Sheet

The results of this bridge inspection are recorded on each bridge's individual "Structure Inventory and Appraisal Sheets." The inspection was completed in accordance with the Guidelines and Item Designation as set forth in the Federal Highway Administration Publication "Recording and Coding guide for the Structure Inventory and Appraisal of the Nation's Bridges," published December 1995 with 2001 Revisions and by the Indiana Department of Transportation Bridge Inspection Program “BRAGI Coding Guide, 2011”.

Field Survey

All bridges over twenty feet in span length were located, inspected, and documented on their "Structure Inventory and Appraisal Sheets." A field crew, using the previous reports to compare with the current conditions, inspected all bridges included in this report. New color photos were taken of all structures as well as individual structure items that had a changed condition.

[Click for Table of Contents](#)

Office Evaluation

After completion of the field inspection, the structures were reviewed in the office. The field data collected was evaluated and compared with the data from the previous Structural Inventory & Appraisals, and condition and appraisal ratings were revised to reflect present conditions.

The Design, Legal, and Permit Ratings were calculated based on structure data obtained during this inspection. During the field inspection, the conditions of structural steel, concrete, and timber were compared with new materials and a percentage of section loss was estimated reflecting the current degree of material deterioration. This estimated percentage loss was used in determining the new operating and inventory ratings.

Replacement Priorities and Repair Recommendations

All structures were evaluated for replacement priorities and repair recommendations. The following are among items, which are given important consideration when determining replacement priorities and repair recommendations:

The Average Daily Traffic on a structure measures the importance of a structure to the County transportation system. Therefore, structures which receive high traffic counts were given higher priorities for replacement or repair than those bridges which handle only a few vehicles per day.

The Structural Condition of a bridge helps estimate the length of time the structure can safely carry traffic at its present capacity. Many structures have deteriorated from age, weathering, or other factors to a condition where repairs are not economically feasible, and must eventually be replaced.

Bridge Alignment and Width is a major indicator of the safety of the structure to the traveling public. Factors included are horizontal and vertical alignment to the approaches in relationship to the bridge, bridge width, approach signing and marking, bridge rail, guard rail, and slope protection.

Legal Load Capacity indicates the safe load that can repeatedly travel over the bridge in its present structural condition. Structures with low load capacities were given higher replacement priorities than those with more adequate ratings.

Waterway Adequacy indicates if the waterway area under the structure is large enough to handle floodwaters. Existing channel alignment in relationship to the substructure is also analyzed.

Replacement Priorities and Repair Recommendations (continued)

Estimated Replacement Cost is important in setting repair recommendations or replacement priorities. Large structures cost a great deal to replace and were recommended for repairs whenever possible; likewise, many small structures were recommended for replacement. Since replacement costs were not that much greater than extensive repair costs, some of these small bridges can be replaced with pipes or pipe arches at a considerable savings over replacement with a conventional bridge. However, this can only be recommended after a complete hydraulic analysis has been completed.

Whenever practical, repair recommendations were given to structures where repairs could significantly increase their life and safety. In many cases, extensive repairs are not feasible since the structures would still be deficient in other aforementioned vital areas.

Rusting is a major problem on any bridge consisting of steel members. The rusting and resulting deterioration of members can greatly decrease a structure's future usable life. Cleaning and painting the steel as soon as possible is very important in insuring the longevity of these structures.

Signs and Markings

The recommended signing tabulated in this report is the minimum required by the "Manual on Uniform Traffic Control Devices for Streets and Highways" published by the Federal Highway Administration and the Indiana Department of Highways. An assessment should be made in the field for the possibility of extending the signing to include features such as intersections, curves, or other substandard conditions near the bridge.

LISTING OF BRIDGE INSPECTION PERSONNEL, TITLE, QUALIFICATIONS, AND RESPONSIBILITIES

Name/Title	Experience/Qualifications	Attended NHI Class	Biennial Inspection	Fracture Critical	Underwater	Special Detail	Load Rating	Responsibilities/Duties
Jon Clodfelter, P.E. Bridge Department Manager IN000631-2028-ATL	B.S. - Civil Engineering Purdue University Indiana Professional Engineer #19800071 29 Years Experience in Bridge Design, Inspection, and Load Rating	X	-	-	-	-	-	General Project Supervision Inspection Team Leader
Nick Kocher, P.E. Project Manager IN000409-2020-ATL-F-LRE	B.S. - Civil Engineering University of Illinois Indiana Professional Engineer #11100665 14 Years Experience in Bridge Design, Inspection, and Load Rating	X	X	X	-	X	X	Project Manager Inspection Team Leader Field Inspection Inventory Report Q/A Load Rating Q/A Fracture Critical Inspection FC Report Q/A
Mark Berry, S.I. Construction Manager IN000154-2025-ATL	B.S. - Industrial Technology Indiana State University Construction Project Manager 35 Years Experience in Bridge Construction and Inspection	X	X	-	-	-	-	Inspection Team Leader Field Inspection
Abby Browder, P.E. Project Engineer IN000553-2022-ATM	B.S. - Civil Engineering University of Evansville Indiana Professional Engineer #11900814 5 Years Experience in Bridge Design, Inspection, and Load Rating	-	-	-	-	-	X	Team Member Field Inspection Inventory Report Q/A FC Report Q/A
Dave Zola CAD Designer	A.E.T. - Architectural Engineering Technology ITT AutoCAD Designer 25 Years Experience in Bridge Detailing	-	-	-	-	-	-	Team Member Field Inspection S&A Coding Report Preparation

The following Inspection Team Leaders were present and were actively involved in the Field Inspections of bridges in Floyd County.

Nicholas J. Kocher

Nick Kocher, P.E.

Mark Berry

Mark Berry, S.I.

Click for Table of Contents

PRIORITY SCHEDULE FOR COUNTY BRIDGES
(1) REPLACEMENT (2) REHABILITATION
(3) WIDENING (4) REPAIR (5) ELIMINATE

CATEGORY: 1

Bridge Number	Priority Number	Year of Work	Type of Work	Gross Tons	Sufficiency Rating	Estimated Costs (x \$1,000)		
						Bridge	Roadway	Total
00051	1	2020	31	20	44.9	983	467	1830
00003	2	2021	31	20	56.4	232	184	525
00506	3	2022	31	10	70.7	202	184	488
00043	4	2023	31	20	66.3	365	184	693
00038	5	2024	31	20	76.5	274	184	578
00085	6	2025	31	20	49.3	209	184	496
00087	7	2026	31	20	71.4	281	184	587
00024	8	2027	31	20	68.8	306	184	619
00039	9	2028	31	20	85.9	194	184	477
00041	10	2029	31	23	65.5	329	184	648

Total Bridges for Category 1: 10

Estimated Costs for Replacement Projects = \$6,941,000

CATEGORY: 2

Bridge Number	Priority Number	Year of Work	Type of Work	Gross Tons	Sufficiency Rating	Estimated Costs (x \$1,000)		
						Bridge	Roadway	Total
00027	1	2020	35	48	67.7	423	184	735
00031	2	2021	35	25	60.8	137	184	389
00035	3	2022	35	42	81.6	336	184	630
00007	4	2023	35	20	76.6	170	184	429
00063	5	2024	35	53	54.4	131	184	382
00101	6	2025	35	20	95.2	148	184	402

Total Bridges for Category 2: 6

Estimated Costs for Rehabilitation Projects = \$2,967,000

[Click for Table of Contents](#)

PRIORITY SCHEDULE FOR COUNTY BRIDGES
(1) REPLACEMENT (2) REHABILITATION
(3) WIDENING (4) REPAIR (5) ELIMINATE

CATEGORY: 3

Bridge Number	Priority Number	Year of Work	Type of Work	Gross Tons	Sufficiency Rating	Estimated Costs (x \$1,000)		
						Bridge	Roadway	Total

NONE

Total Bridges for Category 3: 0

CATEGORY: 4

Bridge Number	Priority Number	Year of Work	Type of Work	Gross Tons	Sufficiency Rating	Estimated Costs (x \$1,000)		
						Bridge	Roadway	Total

NONE

Total Bridges for Category 4: 0

CATEGORY: 5

Bridge Number	Priority Number	Year of Work	Type of Work	Gross Tons	Sufficiency Rating	Estimated Costs (x \$1,000)		
						Bridge	Roadway	Total

NONE

Total Bridges for Category 5: 0

[Click for Table of Contents](#)

SUMMARY OF BRIDGES WITH
INCREASED FREQUENCY INSPECTIONS

Bridge Number	Designated Inspection Frequency	Fracture Critical Required	Fracture Critical Frequency	Fracture Critical Inspection Date	Underwater Required	Underwater Inspection Frequency	Underwater Inspection Date	Special Inspection Required	Special Inspection Frequency	Special Inspection Date
22-00003	12	N			N			N		
22-00027	12	N			N			N		
22-00031	12	N			N			N		
22-00035	12	N			N			N		
22-00051	12	N			N			N		
22-00063	12	N		05/01/2014	N		09/21/2017	N		
22-00085	12	N			N			N		

Total Increased Frequency Inspections: 7

[Click for Table of Contents](#)

FLOYD COUNTY
SCHEDULE OF RECOMMENDED MAINTENANCE ITEMS

Bridge Number	Facility Carried	Feature Intersected	Riprap Needed	Clear Vegetation Around Bridge	Clear Bridge Joints, Deck, Gutters, Drains	Regrade Approaches	Clear Debris in Channel	Damaged or Low Guardrail	Remarks
00001	SCOTTSVILLE RD	BANNAMON CREEK						✓	RECOMMEND INSTALLING CURRENT STD. BRIDGE & APPR. RAIL W/END TREATMENT, EXTENDING WEARING SURFACE FULL WIDTH, REPAIR DAMAGED BRIDGE AND APPROACH GUARDRAIL IN NW CORNER.
00002	HANKA Rd	BANNAMON Creek							RECOMMEND INSTALLING CURRENT STD. BRIDGE & APPR. RAIL W/END TREATMENT AND NW & SE B.E.M.'S.
00003	CHAPEL HILL	THOMPSON CREEK							UNTIL REPLACEMENT, RECOMMEND INSTALLING CURRENT STANDARD APPROACH RAILING WITH END TREATMENT AND NORTHEAST AND SOUTHWEST BRIDGE END MARKERS.
00004	MILLER RD	MILLER BR OF JERSEY PK B	✓						RECOMMEND INSTALLING CURRENT STD. APPR. RAIL W/END TREATMENT AND NE & SW B.E.M.'S, PLACING RIPRAP BEHIND WINGS AND AT BRIDGE CORNERS.
00005	ARTHUR COFFMAN RD	JERSEY PARK CREEK							RECOMMEND INSTALLING CURRENT STD. APPR. RAIL W/END TREATMENT AND NW & SE B.E.M.'S, AND REPAIR NW SHOULDER EROSION.
00006	BORDEN RD	JERSEY PARK CREEK							RECOMMEND INSTALLING CURRENT STD. NE & SW B.E.M.'S.
00007	SCTSVILLE-NAVILLE.	LITTLE INDIAN CREEK							RECOMMEND INSTALLING CURRENT STD. APPR. RAIL W/END TREATMENT AND ALL B.E.M.'S.
00009	ATKINS ROAD	BRANCH of BIG INDIAN CR.							NO NEW RECOMMENDATIONS
00010	BALMER-FENWICK Rd	BIG INDIAN Creek	✓						RECOMMEND INSTALLING CURRENT STD. BRIDGE & APPR. RAIL W/END TREATMENT AND SE B.E.M.'S, AND PLACING RIPRAP ALONG EAST PIER.
00011	BETHEL-FREIBERGER	BIG INDIAN Creek							RECOMMEND INSTALLING CURRENT STD. NW & SE B.E.M.'S.
00012	BANET Rd	Little INDIAN Creek							RECOMMEND INSTALLING CURRENT STD. APPR. RAIL W/END TREATMENT AND NW & SE B.E.M.'S
00013	BANET RD	BIG INDIAN CREEK							RECOMMEND INSTALLING CURRENT STD. BRIDGE & APPR. RAIL W/END TREATMENT AND SE B.E.M.'S.
00014	NAVILLETON Rd	Little INDIAN Creek							RECOMMEND INSTALLING CURRENT STD. BRIDGE & APPR. RAIL W/END TREATMENT AND NE & SW B.E.M.'S, AND REPAIR SE CORNER GUARDRAIL.
00015	G'TOWN-GREENVILLE	RICHLAND CREEK							RECOMMEND INSTALLING CURRENT STD. BRIDGE & APPR. RAIL W/END TREATMENT AND NE & SW B.E.M.'S, AND PATCHING SPALLS IN BOTTOM OF SUPERSTRUCTURE.
00016	STILLER Rd	BIG INDIAN Creek					✓		RECOMMEND INSTALLING CURRENT STD. BRIDGE RAIL W/END TREATMENT AND ALL B.E.M.'S, REMOVING DEBRIS FROM, DECK, WIDENING OVERLAY TO CURBS, REPAIRING NE GUARDRAIL, AND PATCHING DECK.
00017	FEATHERINGILL Rd	Branch Little INDIAN Cr							RECOMMEND PATCHING AROUND THE UNDERSIDE DRAINS.
00018	BUCK CREEK RD	BUCK CREEK							RECOMMEND INSTALLING CURRENT STD. NE, NW & SW B.E.M.'S.
00019	NAVILLETON Rd	BIG INDIAN Creek							RECOMMEND INSTALLING CURRENT STD. BRIDGE & APPR. RAIL W/END TREATMENT, REPAIR APPROACH GUARDRAIL

Click for Table of Contents

FLOYD COUNTY
SCHEDULE OF RECOMMENDED MAINTENANCE ITEMS

Bridge Number	Facility Carried	Feature Intersected	Riprap Needed	Clear Vegetation Around Bridge	Clear Bridge Joints, Deck, Gutters, Drains	Regrade Approaches	Clear Debris in Channel	Damaged or Low Guardrail	Remarks
00020	OLD VINCENNES RD	YELLOW FORK							NO MAINTENANCE NEEDED.
00021	JOHN PECTOL Rd	Little INDIAN Creek							RECOMMEND INSTALLING CURRENT STD. APPR. RAIL W/END TREATMENT, AND REPLACING APPROACHES.
00022	HAMBY Rd	BIG INDIAN Creek							RECOMMEND INSTALLING CURRENT STD. ALL B.E.M.'S, AND CLEANING DECK.
00023	JOHN PECTOL RD	BIG INDIAN CREEK					✓		RECOMMEND CLEANING DEBRIS FROM LOWER CHORDS.
00024	G'TOWN-GREENVILLE	RICHLAND CREEK							UNTIL REPLACEMENT, RECOMMEND INSTALLING CURRENT STANDARD APPROACH AND END TREATMENT GUARDRAIL.
00025	BAKER ROAD	RICHLAND CREEK	✓						RECOMMEND PLACING RIPRAP AT SOUTHWEST CORNER AND INSTALLING CURRENT STANDARD APPROACH GUARDRAIL.
00026	G'TOWN-GREENVILLE	RICHLAND CREEK	✓						RECOMMEND INSTALLING CURRENT STANDARD APPROACH RAIL AND BRIDGE END MARKERS AT NORTHEAST AND SOUTHEAST, PLACING RIPRAP AT SOUTHWEST AND SOUTHEAST CORNERS.
00027	G'TOWN-GREENVILLE	BIG INDIAN Creek	✓						UNTIL REHABILITATION, RECOMMEND INSTALLING CURRENT STANDARD BRIDGE AND APPROACH RAILING WITH END TREATMENT, AND PLACING BACKFILL AND RIPRAP AT END BENTS.
00028	G'TOWN-GREENVILLE	RICHLAND CREEK							RECOMMEND INSTALLING CURRENT STD. BRIDGE & APPR. RAIL W/END TREATMENT AND SE B.E.M.'S.
00029	EDWARDSVIL--GALENA	LITTLE INDIAN CREEK							RECOMMEND PATCHING SPALL ON PIER CAP AND REPLACING BRIDGE END JOINTS.
00031	N LUTHER RD	LITTLE INDIAN CREEK	✓						UNTIL REHABILITATION, RECOMMEND INSTALLING CURRENT STANDARD BRIDGE AND APPROACH RAILING WITH END TREATMENT AND MISSING NORTHEAST AND SOUTHWEST BRIDGE END MARKERS, AND PLACING RIPRAP IN SOUTHEAST QUADRANT.
00032	REASOR RD	LITTLE INDIAN CREEK							RECOMMEND INSTALLING CURRENT STD. APPR. RAIL W/END TREATMENT AND SE B.E.M.'S. AND FILL NORTHEAST SHOULDER EROSION
00033	MALINEE-OTT RD	GEORGETOWN CREEK	✓						RECOMMEND INSTALLING CURRENT STD. APPR. RAIL W/END TREATMENT, REPAIRING SE SHOULDER EROSION, AND PLACING RIPRAP AT SE CORNER AND BEHIND SE WING.
00035	G'TOWN-LANESVILLE	GEORGETOWN CREEK	✓						UNTIL REHABILITATION, RECOMMEND INSTALLING CURRENT STANDARD BRIDGE AND APPROACH RAILING WITH END TREATMENT AND MISSING NORTHEAST, SOUTHWEST, AND NORTHWEST BRIDGE END MARKERS, AND PLACING RIPRAP AT SOUTH ABUTMENT.
00036	WISSMAN RD	GEORGETOWN CREEK	✓						RECOMMEND PLACING RIPRAP ON S SPILLSLOPE.
00037	WALTS RD	GEORGETOWN CREEK							NO MAINTENANCE NEEDED.

Click for Table of Contents

FLOYD COUNTY
SCHEDULE OF RECOMMENDED MAINTENANCE ITEMS

Bridge Number	Facility Carried	Feature Intersected	Riprap Needed	Clear Vegetation Around Bridge	Clear Bridge Joints, Deck, Gutters, Drains	Regrade Approaches	Clear Debris in Channel	Damaged or Low Guardrail	Remarks
00038	BAYLOR-WISSMAN RD	GEORGETOWN CREEK							UNTIL REPLACEMENT RECOMMEND INSTALLING CURRENT STD. APPR. RAIL W/END TREATMENT AND NE & SW B.E.M.'S.
00039	MOSER KNOB	LITTLE INDIAN CREEK							RECOMMEND INSTALLING CURRENT STD. BRIDGE & APPR. RAIL W/END TREATMENT, AND CLEANING CHANNEL IN S SPAN.
00040	SCOTTSVILLE RD	BIG INDIAN CREEK							NO MAINTENANCE REQUIRED.
00041	ST MARY'S RD	LITTLE INDIAN CREEK	✓						UNTIL REPLACEMENT, RECOMMEND INSTALLING CURRENT STD. BRIDGE & APPR. RAIL W/END TREATMENT AND NE & SW B.E.M.'S AND PLACING RIPRAP AT S ABUTMENT.
00042	SPICKERT KNOB RD	LITTLE INDIAN CREEK	✓						RECOMMEND INSTALLING CURRENT STD. BRIDGE & APPR. RAIL W/END TREATMENT AND NW & SE B.E.M.'S, AND PLACING RIPRAP BEHIND SW WING. REMOVE TREE SOUTH OF BRIDGE THAT IS LEANING OVER THE DOCK.
00043	SCOTTSVILLE RD	LITTLE INDIAN CREEK							RECOMMEND INSTALLING CURRENT STD. BRIDGE & APPR. RAIL W/END TREATMENT AND NE & SW B.E.M.'S.
00044	ST MARY'S RD	LITTLE INDIAN CREEK							RECOMMEND INSTALLING CURRENT STD. NW B.E.M.'S.
00045	PAYNE/KOEHLER RD	UPHILL RUN							RECOMMEND INSTALLING CURRENT STD. NE & NW B.E.M.'S.
00046	PAOLI PIKE	LITTLE INDIAN CREEK							RECOMMEND INSTALLING CURRENT STD. APPR. RAIL W/END TREATMENT AND ALL B.E.M.'S.
00047	DUFFY RD	LITTLE INDIAN CREEK	✓						RECOMMEND INSTALLING CURRENT STD. APPR. RAIL W/END TREATMENT, PLACING RIPRAP AT SW CORNER.
00050	KLERNER LN	SLATE Run Creek							RECOMMEND INSTALLING CURRENT STD. BRIDGE & APPR. RAIL W/END TREATMENT AND ALL B.E.M.'S, PATCHING SPALLS ON DECK, AND REPLACING EXPANSION JOINT SEALS.
00051	BLACKISTON MILL RD	SILVER CREEK	✓						UNTIL REPLACEMENT, RECOMMEND INSTALLING CURRENT STANDARD BRIDGE AND APPROACH RAILING AND ALL BRIDGE END MARKERS, PLACING RIPRAP AT UPSTREAM END OF PIER SOUTHWEST CORNER, AND NORTHEAST WING, AND REPAIRING CONCRETE AT UPSTREAM END NOSE OF PIER.
00055	CHAPEL LN	LEWIS BR OF JACOABS CR							NO MAINTENANCE NEEDED.
00057	HIGHWATER RD	MIDDLE CREEK							RECOMMEND INSTALLING CURRENT STD. APPR. RAIL W/END TREATMENT AND ALL B.E.M.'S.
00058	BUDD RD	FRENCH CREEK							RECOMMEND INSTALLING CURRENT STD. BRIDGE & APPR. RAIL W/END TREATMENT AND NE & SW B.E.M.'S.
00060	BORDEN ROAD	BRANCH OF JERSEY PARK CR			✓		✓		RECOMMEND CLEANING DEBRIS FROM DECK AND CLEARING SILT/ GRAVEL FROM CHANNEL.

Click for Table
of Contents

FLOYD COUNTY
SCHEDULE OF RECOMMENDED MAINTENANCE ITEMS

Bridge Number	Facility Carried	Feature Intersected	Riprap Needed	Clear Vegetation Around Bridge	Clear Bridge Joints, Deck, Gutters, Drains	Regrade Approaches	Clear Debris in Channel	Damaged or Low Guardrail	Remarks
00061	BUDD RD	KNOB CREEK							RECOMMEND INSTALLING CURRENT STD. NE & SW B.E.M.'S
00062	OLD RIVER RD	MIDDLE CREEK					✓		RECOMMEND REMOVING DEBRIS FROM GUTTERS.
00063	FIVE MILE LN	KNOB CREEK	✓						UNTIL REHABILITATION, RECOMMEND PLACING RIPRAP ALONG EAST ABUTMENT.
00064	SEVEN MILE LN	KNOB CREEK							RECOMMEND INSTALLING CURRENT STD. BRIDGE & APPR. RAIL W/END TREATMENT AND NE & NW B.E.M.'S
00065	DAILY RD	KNOB CREEK	✓						RECOMMEND INSTALLING CURRENT STD. BRIDGE & APPR. RAIL W/END TREATMENT AND NE NW & SW B.E.M.'S, REPLACE FILL BEHIND S ABUTMENT, AND PLACING RIPRAP ON SOUTH ABUTMENT.
00066	RIDGEVIEW DR	LITTLE INDIAN CREEK							RECOMMEND INSTALLING CURRENT STD. NE NW & SW B.E.M.'S.
00070	SPRING ST	SILVER CREEK	✓						RECOMMEND CLEANING DRAINS, AND PLACING RIPRAP ALONG NW WING.
00071	TWO MILE LN	FRENCH CREEK	✓						RECOMMEND INSTALLING CURRENT STD. BRIDGE & APPR. RAIL W/END TREATMENT AND SE & SW B.E.M.'S, AND PLACING RIPRAP AT SE CORNER.
00072	EVANS-JACOBI RD	BRANCH LITTLE INDIAN CR							RECOMMEND INSTALLING CURRENT STD. BRIDGE & APPR. RAIL W/ END TREATMENT.
00073	CROWDER RD	RICHLAND CREEK							RECOMMEND INSTALLING CURRENT STD. BRIDGE & APPR. RAIL W/END TREATMENT.
00076	TWO MILE LN	FRENCH CREEK	✓						RECOMMEND INSTALLING CURRENT STD. NW & SE B.E.M.'S, AND PLACING RIPRAP ALONG S ABUTMENT.
00080	SEVEN MILE LN	STEWART CREEK							NO MAINTENANCE NEEDED.
00081	JOHN PECTOL RD	BR LITTLE INDIAN CR							RECOMMEND CLEARING CHANNEL UPSTREAM AND DOWNSTREAM AND REMOVING EXCESSIVE WEARING SURFACE.
00085	BRADFORD RD	CORN CREEK							UNTIL REPLACEMENT, RECOMMEND INSTALLING CURRENT STANDARD BRIDGE AND APPROACH RAILING WITH END TREATMENT AND ALL BRIDGE END MARKERS, REPLACING NARROW SIGN AT WEST END, AND REPAIRING NORTHEAST WINGWALL.
00087	MARY NAVILE RD	BANNAMON CREEK							RECOMMEND INSTALLING CURRENT STD. BRIDGE & APPR. RAIL W/END TREATMENT AND ALL B.E.M.'S AND FILL EROSION IN NW CORNER.
00088	BORDEN RD	MILLER BR OF JERSEY PK B							RECOMMEND INSTALLING CURRENT STD. BRIDGE & APPR. RAIL W/END TREATMENT AND SE B.E.M.'S AND REPAIR NW SHOULDER EROSION.

Click for Table of Contents

FLOYD COUNTY
SCHEDULE OF RECOMMENDED MAINTENANCE ITEMS

Bridge Number	Facility Carried	Feature Intersected	Riprap Needed	Clear Vegetation Around Bridge	Clear Bridge Joints, Deck, Gutters, Drains	Regrade Approaches	Clear Debris in Channel	Damaged or Low Guardrail	Remarks
00089	CHAPEL HILL RD	CAMPBELL BR JERSEY PK CR	✓						RECOMMEND INSTALLING CURRENT STD. APPR. RAIL W/END TREATMENT AND ALL B.E.M.'S, PLACING RIPRAP AT NE CORNER, AND REPAIR NE SHOULDER EROSION.
00091	GAP HOLLOW RD	KNOB CREEK							RECOMMEND INSTALLING CURRENT STD. BRIDGE RAIL & NE & SE B.E.M.'S
00093	BUDD RD	EISEMAN CREEK							RECOMMEND INSTALLING CURRENT STD. BRIDGE RAIL AND ALL B.E.M.'S.
00094	E MCCARTHY KNOB RD	AL'S CREEK	✓						RECOMMEND INSTALLING CURRENT STD. BRIDGE & APPR. RAIL W/END TREATMENT AND NW & SE B.E.M.'S, AND PLACING RIPRAP AT SE CORNER.
00096	BEECHWOOD AVE	FALL RUN							RECOMMEND INSTALLING CURRENT STD. BRIDGE & APPR. RAIL W/END TREATMENT AND SW B.E.M.'S. PATCH SPALLED BEAMS.
00101	OLD SR 111	BRANCH ELK RUN							RECOMMEND INSTALLING CURRENT STD. APPR. RAIL W/END TREATMENT AND ALL B.E.M.'S, AND REPLACING BRIDGE JOINT AND DECK OVERLAY.
00102	CHARLESTOWN RD	JACOBS CREEK							RECOMMEND INSTALLING CURRENT STD. BRIDGE GUARDRAIL, NW & SW B.E.M.'S.
00103	ASHBURY DRIVE	BALD KNOB CREEK					✓		RECOMMEND INSTALLING CURRENT STD. APPR. RAIL W/END TREATMENT, AND CLEANING DEBRIS IN CHANNEL.
00104	ENDRES PARKWAY	JACOBS CREEK							RECOMMEND INSTALLING CURRENT STD. BRIDGE & APPR. RAIL W/END TREATMENT AND ALL B.E.M.'S.
00105	BEAR CREEK ROAD	BEAR CREEK							RECOMMEND INSTALLING CURRENT STD. APPR. TRANSITION RAIL.
00501	BINFORD PARK ST	FALLING RUN CREEK	✓						RECOMMEND INSTALLING CURRENT STD. BRIDGE & APPR. RAIL W/END TREATMENT, PLACING RIPRAP AT SW CORNER.
00502	FLOYD ST	FALLING RUN CREEK							RECOMMEND REMOVING LOGJAM AT INLET, INSTALLING CURRENT STD. BRIDGE & APPR. RAIL W/END TREATMENT AND ALL B.E.M.'S.
00503	DAISY LN	FALLING RUN CREEK							DAMAGED SOUTHWEST END TREATMENT
00504	SPRING HILL RD	FALLING RUN CREEK							NO MAINTENANCE NEEDED.
00505	SCRIBNER DR	FALLING RUN CREEK							RECOMMEND INSTALLING CURRENT STD. BRIDGE & APPR. RAIL W/END TREATMENT AND NE & SW B.E.M.'S.
00506	PAMELA DR	FALLING RUN CREEK							UNTIL BRIDGE REPLACEMENT RECOMMEND INSTALLING CURRENT STD. BRIDGE & APPR. RAIL W/END TREATMENT AND NE & SW B.E.M.'S. CLEAN ON REPLACE VANDALIZED NORTH LOAD LIMIT SIGN.

[Click for Table of Contents](#)

FLOYD COUNTY
SCHEDULE OF RECOMMENDED MAINTENANCE ITEMS

Bridge Number	Facility Carried	Feature Intersected	Riprap Needed	Clear Vegetation Around Bridge	Clear Bridge Joints, Deck, Gutters, Drains	Regrade Approaches	Clear Debris in Channel	Damaged or Low Guardrail	Remarks
00507	WILLIAM LN	MIDDLE CREEK							RECOMMEND INSTALLING CURRENT STD. APPR. RAIL.
00508	GRAYBROOK LN	FALLING RUN CREEK							RECOMMEND INSTALLING CURRENT STD. APPR. RAIL W/END TREATMENT AND NE & SW B.E.M.'S.
00509	PEARL ST	FALLING RUN CREEK							RECOMMEND INSTALLING CURRENT STANDARD APPROACH RAIL WITH END TREATMENT AND NE, SE AND SW B.E.M.'S.
00510	CHARLESTOWN RD	BLACKISTON RUN							NO MAINTENANCE NEEDED.
00511	DAISY LN	TRINITY RUN							RECOMMEND INSTALLING CURRENT STD. ALL B.E.M.'S.
00512	GREEN VALLEY RD	TRINITY RUN	✓						RECOMMEND INSTALLING CURRENT STD. ALL B.E.M.'S. REMOVE RIPRAP FROM CENTER OF CHANNEL TO THE SLOPES.
00513	STATE ST	FALLING RUN CREEK							RECOMMEND INSTALLING CURRENT STD. BRIDGE & APPR. RAIL W/END TREATMENT AND ALL B.E.M.'S.
00514	COUNTRY CLUB DR	FALLING RUN CREEK							RECOMMEND INSTALLING CURRENT STD. BRIDGE RAIL AND ALL B.E.M.'S.

[Click for Table of Contents](#)

LIST OF POSTED BRIDGES

Bridge Number	Facility Carried	Feature Intersected	Location	Tons Posted	Date Posted
22-00506	PAMELA DR	FALLING RUN CREEK	00.20 N OF DAISY LANE	10	08/01/2007

Total Bridges Posted: 1

[Click for Table
of Contents](#)

LIST OF CLOSED BRIDGES

Bridge Number	Facility Carried	Feature Intersected	Location	Tons Posted	Date Posted
---------------	------------------	---------------------	----------	-------------	-------------

Total Bridges Closed: 0

[Click for Table of Contents](#)

LIST OF BRIDGES THAT MUST BE POSTED

Bridge Number	Facility Carried	Feature Intersected	Location	Required Posting	Date Posted
---------------	------------------	---------------------	----------	------------------	-------------

Total Bridges That Must Be Posted: 0

[Click for Table of Contents](#)

LIST OF BRIDGES THAT MUST BE CLOSED

Bridge Number	Facility Carried	Feature Intersected	Location	Tons Posted	Date Posted
---------------	------------------	---------------------	----------	-------------	-------------

Total Bridges That Must Be Closed: 0

[Click for Table of Contents](#)

LISTING OF BRIDGES THAT REQUIRE POSTING CORRECTIONS

Bridge Number	Facility Carried	Feature Intersected	Location	Required Posting Tons	Current Tons Posted
---------------	------------------	---------------------	----------	-----------------------	---------------------

Total Bridges With Posting Revisions: 0

[Click for Table of Contents](#)

**SUMMARY OF BRIDGES
(1) NEW AND (2) REHABILITATED**

Bridge Number	NBI Number	Facility Carried	Feature Intersected	Location	Year of Work
---------------	------------	------------------	---------------------	----------	--------------

CATEGORY: 1

22-00009 B	2200112	ATKINS ROAD	BRANCH of BIG INDIAN CR.	00.10 S of RENN ROAD	2019
22-00105	2200111	BEAR CREEK ROAD	BEAR CREEK	0.1 mi. E. of SR-335	2019

Total Bridges for Category 1 : 2

CATEGORY: 2

22-00009 B	2200112	ATKINS ROAD	BRANCH of BIG INDIAN CR.	00.10 S of RENN ROAD	2019
22-00010	2200009	BALMER-FENWICK Rd	BIG INDIAN Creek	00.10 W of ATKINS Rd	2017
22-00040	2200039	SCOTTSVILLE RD	BIG INDIAN CREEK	00.00 INT OF STARLIGHT RD	2017
22-00055	2200051	CHAPEL LN	LEWIS BR OF JACOABS CR	01.10 S OF GRANTLINE RD	2017

Total Bridges for Category 2 : 4

[Click for Table of Contents](#)

**SUMMARY OF BRIDGES
(1) ADDED, (2) ARCHIVED/DELETED**

Bridge Number	Facility Carried	Feature Intersected	Location	Year Built	NBI Number
---------------	------------------	---------------------	----------	------------	------------

CATEGORY: 1

22-00105	BEAR CREEK ROAD	BEAR CREEK	0.1 mi. E. of SR-335	2019	2200111
22-00009 B	ATKINS ROAD	BRANCH of BIG INDIAN CR.	00.10 S of RENN ROAD	2019	2200112

Total Bridges for Category 1 : 2

CATEGORY: 2

(311)31W-22-01179 A RELQ	SR 311	JACOBS CREEK	01.00 N I-265	1931	031290
111-22-05968 B archived	SR 111	FALL RUN	00.44 N SR 311	1967	025590
22-00009 Archived	ATKINS Rd	Branch of BIG INDIAN Cr	00.10 S of RENN Rd	1967	2200008
22-00018 archived	BUCK CREEK Rd	BUCK Creek	00.30 N of US 150	1974	2200017
22-00023 archived	JOHN PECTOL Rd	BIG INDIAN Creek	00.00 INT HAMBY/JOHN PECTOL	1915	2200022
22-00036 archived	WISSMAN Rd	GEORGETOWN Creek	00.10 S of US 64	1935	2200035
22-00060 archived	BORDEN Rd	Branch of JERSEY PARK Cr	00.10 N of RUFFING Rd	1933	2200054
22-00080 archived	SEVEN MILE Ln	STEWART Creek	00.80 N of HWY 111	1955	2200064
22-00097 unrelinquished	SR 111	FRENCH CREEK	03.69 S SR 62	1940	2200097
22-00098 unrelinquished	SR 111	MIDDLE CREEK	01.25 S SR 62	1940	2200098
22-00099 unrelinquished	SR 111	FALLING RUN	00.37 S SR 62	1945	2200099
22-00100 unrelinquished	SR 111	SLATE RUN CREEK	00.20 S I-265	1972	2200100
22-00503 archived	DAISY Ln	FALLING Run Creek	00.00 INT of ZURSCHMEIDE Dr	1971	2200076

Total Bridges for Category 2 : 13

[Click for Table of Contents](#)

SUMMARY OF STRUCTURE TYPES

NBI 43A Kind of Material and/or Design	NBI 43B Type of Design and/or Construction	Total
1 - Concrete	01 - Slab	7
1 - Concrete	11 - Arch - Deck	8
1 - Concrete	19 - Culvert (includes frame culverts)	9
1 - Concrete	22 - Channel Beam	1
2 - Concrete continuous	01 - Slab	12
2 - Concrete continuous	04 - Tee Beam	1
3 - Steel	02 - Stringer/Multi-beam or Girder	4
3 - Steel	10 - Truss - Thru	1
4 - Steel continuous	02 - Stringer/Multi-beam or Girder	1
5 - Prestressed concrete	02 - Stringer/Multi-beam or Girder	3
5 - Prestressed concrete	05 - Box Beam or Girders - Multiple	35
5 - Prestressed concrete	06 - Box Beam or Girders - Single or Spread	3
6 - Prestressed concrete continuous	02 - Stringer/Multi-beam or Girder	1
6 - Prestressed concrete continuous	05 - Box Beam or Girders - Multiple	1
6 - Prestressed concrete continuous	06 - Box Beam or Girders - Single or Spread	2
7 - Wood or Timber	01 - Slab	1

90 Total Structures

Click for Table
of Contents

**LISTING OF BRIDGES WITH INVENTORY
ROUTES ON THE NATIONAL HIGHWAY SYSTEM**

Bridge Number	Facility Carried	Feature Intersected	Location
----------------------	-------------------------	----------------------------	-----------------

Total Bridges On NHS: 0

[Click for Table of Contents](#)

LISTING OF HISTORICAL STRUCTURES
(1) ON NATIONAL REGISTER OF HISTORIC PLACES
(2) ELIGIBLE FOR NATIONAL REGISTER OF HISTORIC PLACES
(3) POSSIBLY ELIGIBLE FOR NATIONAL REGISTER OF HISTORIC PLACES

Bridge No.	Year Built	NBI43A - Kind of Material and/or Design	NBI43B - Type of Design and/or Construction	Location	Features Intersected
------------	------------	---	---	----------	----------------------

CATEGORY: 1

Total Bridges for Category 1 : 0

CATEGORY: 2

22-00024	1929	2 - Concrete continuous	01 - Slab	00.60 S of BAKER Rd	RICHLAND CREEK
22-00046	1921	1 - Concrete	11 - Arch - Deck	00.10 W OF SCTTS'VILLE	LITTLE INDIAN CREEK
22-00070	1920	1 - Concrete	11 - Arch - Deck	00.02 N OF HWY 62	SILVER CREEK

Total Bridges for Category 2 : 3

CATEGORY: 3

22-00087	1931	2 - Concrete continuous	01 - Slab	00.00 INT OF CHAPEL HL RD	BANNAMON CREEK
----------	------	-------------------------	-----------	------------------------------	----------------

Total Bridges for Category 3 : 1

[Click for Table
of Contents](#)

LISTING OF NAVIGABLE WATERWAYS

Bridge No.	Facility Intersected	Facility Carried	Vertical Clearance (ft)
22-00070	SILVER CREEK	SPRING ST	045.0

[Click for Table of Contents](#)

SUMMARY OF CHANGES IN 91, 92A, 92B, AND 92C

Bridge Number	Routine		Fracture Critical		Underwater		Special	
	91 Old Value	91 New Value	92A Old Value	92A New Value	92B Old Value	92B New Value	92C Old Value	92C New Value
22-00015	24	48	N	N	N	N	N	N
22-00017	24	48	N	N	N	N	N	N
22-00020	24	48	N	N	N	N	N	N
22-00022	24	48	N	N	N	N	N	N
22-00029	24	48	N	N	N	N	N	N
22-00037	24	48	N	N	N	N	N	N
22-00063	12	12	N	N	Y24	N	N	N
22-00091	24	48	N	N	N	N	N	N
22-00096	24	48	N	N	N	N	N	N
22-00103	24	48	N	N	N	N	N	N

Total Bridges With Changes: 10

[Click for Table of Contents](#)

INSPECTION STATUS OF SCOUR CRITICAL BRIDGES

- 90 Bridges currently in FLOYD County's Inventory.
- 90 Bridges over a waterway (Item #42B coded = 5,6,7,8,9 or 0)
- 0 Bridges CLOSED due to scour problems
- 2 Bridges considered SCOUR CRITICAL
- 1 Bridges with designed and working scour counter measures in-place
- 0 Bridges with Unknown foundation types

LIST OF "SCOUR CRITICAL BRIDGES":

Bridge No.	NBI Item #113 Code
22-00041	3 - Foundations unstable for scour conditions
22-00063	3 - Foundations unstable for scour conditions

LIST OF BRIDGES "WITH UNKNOWN FOUNDATION TYPES":

Bridge No.	NBI Item #113 Code
------------	--------------------

[Click for Table
of Contents](#)

LOAD CAPACITY STATUS

90 Bridges currently in FLOYD County's Inventory.

Method Used:

36	Field Evaluation and Documented Engineering Judgement	40%
2	Load Factor (LF) Method Used	2.22%
0	Allowable Stress (AS) Method Used	0%
52	Load and Resistance Factor (LRFD) Method Used	57.78%
0	Load Testing Method Used	0%
0	No Rating Analysis Performed	0%
0	Load Factor (LF) Rating Reported by Rating Factor (RF) Method Using MS18 Loading	0%
0	Allowable Stress (AS) Rating Reported By Rating Factor (RF) Method Using MS 18 Loading	0%
0	Load and Resistance Factor Rating (LRFR) Rating Reported By Rating Factor (RF) Method Using HL-93 Loadings	0%
0	Assigned Rating Based On Load Factor Design (LFD) Reported In Metric Tons	0%
0	Assigned Ratings Based On Allowable Stress Design (ASD) Reported In Metric Tons	0%
0	Assigned Ratings Based On Load And Resistance Factor Design (LRFD) Reported In Metric Tons	0%
0	Assigned Rating Based On Load Factor Design (LFD) Reported By Rating Factor Using MS18 Loading	0%
0	Assigned Ratings Based On Allowable Stress Design (ASD) Reported By Rating Factor Using MS18 Loadings	0%
0	Assigned Ratings Based On Load And Resistance Factor Design (LRFD) Reported By Rating Factor Using MS18 Loadings	0%

Bridge No.	Inventory Rating Method	Operating Rating Method	H Inventory Rating	HS Inventory Rating	HS Operating Rating
22-00001	3	3	28	36	48
22-00002	3	3	24	40	55
22-00003	0	0	20	36	36
22-00004	3	3	53	73	89
22-00005	3	3	28	34	55
22-00006	3	3	17	20	40
22-00007	3	3	20	24	43
22-00009 B	0	0	20	36	45
22-00010	3	3	27	49	59
22-00011	3	3	41	48	65
22-00012	3	3	38	45	62
22-00013	3	3	25	33	58
22-00014	3	3	33	43	63
22-00015	3	3	29	45	54
22-00016	3	3	22	29	46
22-00017	3	3	34	43	57
22-00018 B	0	0	20	36	36
22-00019	3	3	30	49	69

[Click for Table of Contents](#)

LOAD CAPACITY STATUS

Bridge No.	Inventory Rating Method	Operating Rating Method	H Inventory Rating	HS Inventory Rating	HS Operating Rating
22-00020	0	0	20	36	36
22-00021	3	3	51	60	60
22-00022	3	3	22	31	61
22-00023 B	3	3	27	49	53
22-00024	0	0	20	36	36
22-00025	0	0	20	36	36
22-00026	1	1	23	42	71
22-00027	3	3	48	61	66
22-00028	0	0	20	36	36
22-00029	3	3	47	63	94
22-00031	3	3	25	32	43
22-00032	0	0	20	36	36
22-00033	3	3	33	37	52
22-00035	3	3	42	58	63
22-00036 B	3	3	39	48	58
22-00037	3	3	35	53	66
22-00038	0	0	20	36	36
22-00039	0	0	20	36	36
22-00040	3	3	45	64	79
22-00041	3	3	23	31	53
22-00042	3	3	29	49	68
22-00043	0	0	20	36	36
22-00044	0	0	20	36	36
22-00045	3	3	47	54	66
22-00046	0	0	20	36	36
22-00047	3	3	29	39	52
22-00050	3	3	42	65	78
22-00051	0	0	20	36	36
22-00055	3	3	27	46	55
22-00057	0	0	20	36	36
22-00058	3	3	37	55	79
22-00060 B	0	0	20	36	36
22-00061	3	3	41	55	75
22-00062	3	3	52	70	70
22-00063	3	3	53	67	90
22-00064	1	1	19	39	65
22-00065	3	3	35	59	80
22-00066	3	3	35	46	63
22-00070	0	0	20	36	36
22-00071	0	0	20	36	36
22-00072	3	3	41	50	69
22-00073	3	3	24	39	52
22-00076	3	3	33	40	56
22-00080 B	0	0	20	36	36
22-00081	3	3	41	51	69

[Click for Table of Contents](#)

LOAD CAPACITY STATUS

Bridge No.	Inventory Rating Method	Operating Rating Method	H Inventory Rating	HS Inventory Rating	HS Operating Rating
22-00085	0	0	20	36	36
22-00087	0	0	20	36	36
22-00088	0	0	20	36	36
22-00089	3	3	40	46	57
22-00091	3	3	23	37	58
22-00093	3	3	23	35	59
22-00094	0	0	20	36	36
22-00096	3	3	46	55	76
22-00101	0	0	20	36	36
22-00102	0	0	20	36	36
22-00103	0	0	20	36	36
22-00104	0	0	20	36	36
22-00105	0	0	20	36	45
22-00501	0	0	20	36	36
22-00502	0	0	20	36	36
22-00503 B	0	0	20	36	36
22-00504	0	0	20	36	36
22-00505	3	3	30	47	71
22-00506	0	0	10	22	25
22-00507	3	3	40	56	77
22-00508	3	3	39	50	71
22-00509	3	3	16	19	55
22-00510	0	0	20	36	36
22-00511	3	3	26	46	79
22-00512	3	3	26	47	84
22-00513	0	0	20	36	36
22-00514	0	0	20	36	36

90 Total Structures

[Click for Table of Contents](#)

ROUTINE INSPECTION STATUS

90 Bridges currently in FLOYD County's Inventory.
90 Bridges inspected within Required Re-inspection Timeframe 100%
0 Bridges inspected **BEYOND** Required Re-inspection Timeframe **0%**

Bridge No.	New Inspection Date	Old Inspection Date	Months Between	Required Months Between Inspections	Number of Months Late
22-00001	03/04/2020	03/12/2018	24	24	0
22-00002	03/04/2020	03/12/2018	24	24	0
22-00003	03/04/2020	03/19/2019	12	12	0
22-00004	03/05/2020	03/13/2018	24	24	0
22-00005	03/05/2020	03/13/2018	24	24	0
22-00006	03/05/2020	03/13/2018	24	24	0
22-00007	03/05/2020	03/13/2018	24	24	0
22-00009 B	03/04/2020	N/A	N/A		N/A
22-00010	03/04/2020	03/08/2018	24	24	0
22-00011	03/04/2020	03/12/2018	24	24	0
22-00012	03/04/2020	03/12/2018	24	24	0
22-00013	03/04/2020	03/08/2018	24	24	0
22-00014	03/05/2020	03/08/2018	24	24	0
22-00015	03/02/2020	03/07/2018	24	24	0
22-00016	03/05/2020	03/07/2018	24	24	0
22-00017	03/04/2020	03/07/2018	24	24	0
22-00018 B	03/04/2020	03/07/2018	24	24	0
22-00019	03/05/2020	03/07/2018	24	24	0
22-00020	03/04/2020	03/06/2018	24	24	0
22-00021	03/04/2020	03/06/2018	24	24	0
22-00022	03/04/2020	03/06/2018	24	24	0
22-00023 B	03/04/2020	03/06/2018	24	24	0
22-00024	03/02/2020	03/05/2018	24	24	0
22-00025	03/02/2020	03/05/2018	24	24	0
22-00026	03/02/2020	03/07/2018	24	24	0
22-00027	03/02/2020	03/20/2019	12	12	0
22-00028	03/02/2020	03/05/2018	24	24	0
22-00029	03/04/2020	03/06/2018	24	24	0
22-00031	03/04/2020	03/20/2019	12	12	0
22-00032	03/04/2020	03/08/2018	24	24	0
22-00033	03/03/2020	03/05/2018	24	24	0
22-00035	03/03/2020	03/20/2019	12	12	0
22-00036 B	03/03/2020	03/05/2018	24	24	0
22-00037	03/03/2020	03/05/2018	24	24	0
22-00038	03/03/2020	03/13/2018	24	24	0
22-00039	03/02/2020	03/08/2018	24	24	0
22-00040	03/04/2020	03/08/2018	24	24	0
22-00041	03/02/2020	03/05/2018	24	24	0
22-00042	03/02/2020	03/05/2018	24	24	0
22-00043	03/02/2020	03/05/2018	24	24	0
22-00044	03/02/2020	03/05/2018	24	24	0

[Click for Table of Contents](#)

ROUTINE INSPECTION STATUS

Bridge No.	New Inspection Date	Old Inspection Date	Months Between	Required Months Between Inspections	Number of Months Late
22-00045	03/02/2020	03/06/2018	24	24	0
22-00046	03/02/2020	03/12/2018	24	24	0
22-00047	03/04/2020	03/06/2018	24	24	0
22-00050	03/03/2020	03/09/2018	24	24	0
22-00051	03/03/2020	03/20/2019	12	12	0
22-00055	03/04/2020	03/09/2018	24	24	0
22-00057	03/05/2020	03/08/2018	24	24	0
22-00058	03/03/2020	03/07/2018	24	24	0
22-00060 B	03/05/2020	03/08/2018	24	24	0
22-00061	03/03/2020	03/07/2018	24	24	0
22-00062	03/05/2020	03/07/2018	24	24	0
22-00063	03/03/2020	03/26/2019	12	12	0
22-00064	03/03/2020	03/13/2018	24	24	0
22-00065	03/03/2020	03/13/2018	24	24	0
22-00066	03/02/2020	03/05/2018	24	24	0
22-00070	03/04/2020	03/09/2018	24	24	0
22-00071	03/03/2020	03/07/2018	24	24	0
22-00072	03/04/2020	03/06/2018	24	24	0
22-00073	03/02/2020	03/07/2018	24	24	0
22-00076	03/03/2020	03/07/2018	24	24	0
22-00080 B	03/03/2020	03/13/2018	24	24	0
22-00081	03/04/2020	03/06/2018	24	24	0
22-00085	03/02/2020	03/19/2019	12	12	0
22-00087	03/04/2020	03/09/2018	24	24	0
22-00088	03/05/2020	03/08/2018	24	24	0
22-00089	03/05/2020	03/08/2018	24	24	0
22-00091	03/03/2020	03/07/2018	24	24	0
22-00093	03/03/2020	03/07/2018	24	24	0
22-00094	03/03/2020	03/07/2018	24	24	0
22-00096	03/03/2020	03/05/2018	24	24	0
22-00101	03/04/2020	03/09/2018	24	24	0
22-00102	03/04/2020	03/06/2018	24	24	0
22-00103	03/04/2020	03/09/2018	24	24	0
22-00104	03/04/2020	03/06/2018	24	24	0
22-00105	03/02/2020	N/A	N/A		N/A
22-00501	03/03/2020	03/06/2018	24	24	0
22-00502	03/03/2020	03/14/2018	24	24	0
22-00503 B	03/03/2020	03/06/2018	24	24	0
22-00504	03/03/2020	03/07/2018	24	24	0
22-00505	03/03/2020	03/07/2018	24	24	0
22-00506	03/03/2020	03/06/2018	24	24	0
22-00507	03/03/2020	03/08/2018	24	24	0
22-00508	03/03/2020	03/06/2018	24	24	0
22-00509	03/03/2020	03/06/2018	24	24	0
22-00510	03/03/2020	03/14/2018	24	24	0
22-00511	03/03/2020	03/06/2018	24	24	0

[Click for Table of Contents](#)

ROUTINE INSPECTION STATUS

Bridge No.	New Inspection Date	Old Inspection Date	Months Between	Required Months Between Inspections	Number of Months Late
22-00512	03/03/2020	03/06/2018	24	24	0
22-00513	03/03/2020	03/07/2018	24	24	0
22-00514	03/03/2020	03/05/2018	24	24	0
90 Total Structures					

[Click for Table of Contents](#)

INSPECTION STATUS OF FRACTURE CRITICAL BRIDGE INSPECTION

- 90 Bridges currently in FLOYD County's Inventory.
- 1 Bridges coded "YES" in Item 92A (Non-Redundant)
- 1 Bridges inspected within Required Re-inspection Timeframe 100%
- 0 Bridges inspected BEYOND Required Re-inspection Timeframe 0%**

Bridge No.	New Inspection Date	Old Inspection Date	Item #92A Coding	Months Between Inspection	Required Months Between Inspections	Number of Months Late
22-00023 B	03/04/2020	03/06/2018	Y24	24	24	0

1 Total Structures

[Click for Table of Contents](#)

INSPECTION STATUS OF UNDERWATER/IN-WATER INSPECTION

- 90 Bridges currently in FLOYD County's Inventory.
- 0 Bridges coded "YES" in Item 92B
- 0 Bridges inspected within Required Re-inspection Timeframe 0%
- 0 Bridges inspected BEYOND Required Re-inspection Timeframe 0%**

Bridge No.	New Inspection Date	Old Inspection Date	Item #92B Coding	Months Between Inspection	Required Months Between Inspections	Number of Months Late
------------	---------------------	---------------------	------------------	---------------------------	-------------------------------------	-----------------------

0 Total Structures

Note: Underwater inspections in 2011 were 5 months late. The next underwater inspections are due in June 2016.

Click for Table of Contents

INSPECTION STATUS OF SPECIAL BRIDGE INSPECTION

- 90 Bridges currently in FLOYD County's Inventory.
- 0 Bridges coded "YES" in Item 92C
- 0 Bridges inspected within Required Re-inspection Timeframe 0%
- 0 Bridges inspected BEYOND Required Re-inspection Timeframe 0%**

Bridge No.	New Inspection Date	Old Inspection Date	Item #92C Coding	Months Between Inspection	Required Months Between Inspections	Number of Months Late
------------	---------------------	---------------------	------------------	---------------------------	-------------------------------------	-----------------------

0 Total Structures

[Click for Table of Contents](#)

WORK PLAN FOR INSPECTIONS AND RE-INSPECTIONS

90	Bridges currently in FLOYD County's Inventory.	
83	Bridges with Biennial Re-Inspection Frequencies of 24 Months	92.22%
7	Bridges with Biennial Re-Inspection Frequencies of Less than 24 Months	7.78%
<hr/>		
1	Bridges Require Item #92A Inspections: Non-Redundant Bridges	
1	Bridges with 92A Re-Inspection Frequencies of 24 Months	100%
0	Bridges with 92A Re-Inspection Frequencies of Less than 24 Months	0%
<hr/>		
0	Bridges Require Item #92B Inspections: Underwater Inspections	
0	Bridges with 92B Re-Inspection Frequencies of 60 Months	N/A
0	Bridges with 92B Re-Inspection Frequencies of Less than 60 Months	N/A
<hr/>		
0	Bridges Require Item #92C Inspections: Special Bridge Detail Inspections	
0	Bridges with 92C Re-Inspection Frequencies of 24 Months	N/A
0	Bridges with 92C Re-Inspection Frequencies of Less than 24 Months	N/A

The County or assigned representative will monitor all of the bridges that have been recommended to be monitored in this Report by the Consultant.

[Click for Table of Contents](#)

MASTER LIST - LIST OF BRIDGES REQUIRING IN-DEPTH INSPECTIONS

Bridge No.	Fracture Critical / Non- Redundant Inspection	Underwater Inspection	Special Inspection
22-00023 B	Y24	N	N

Total Bridges Requiring In-Depth Inspection: 1

[Click for Table of Contents](#)

***STRUCTURE
INVENTORY AND
APPRAISAL REPORTS***

FOR

***FLOYD COUNTY
INDIANA***

Prepared For:

***Board of County Commissioners
Floyd County***

[Click for Table
of Contents](#)



LOOKING NORTH FROM ROAD



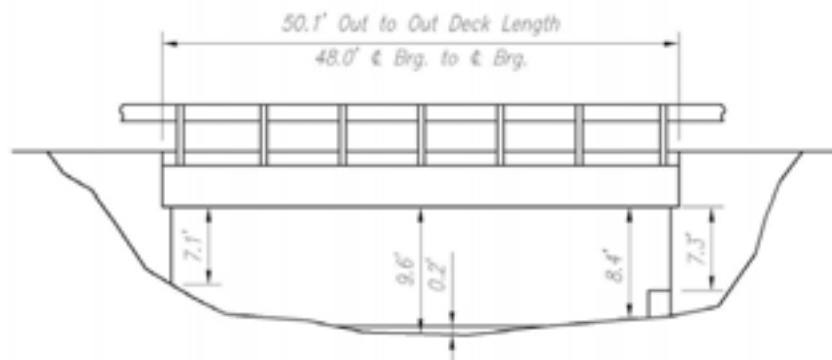
LOOKING SOUTH FROM ROAD



LOOKING WEST THROUGH CHANNEL



LOOKING NORTH AT ABUTMENT



See Additional Photographs

See on Township Map

FLOYD COUNTY - BRIDGE NO. 22-00001
SCOTTSVILLE RD over BANNAMON CREEK

STRUCTURE INVENTORY AND APPRAISAL REPORT - 1

NBI Number: 2200001 Facility Carried: SCOTTSVILLE RD	Bridge Number: 22-00001 Feature(s) Intersected: BANNAMON CREEK
---	---

IDENTIFICATION

1. State: 185 (INDIANA) 8. NBI Number: 2200001 5. Inventory Route On: 1-4-1- 0-0 2. District: 05 (SEYMOUR) 3. County: 022 (FLOYD) 6. Feat Intersected: BANNAMON CREEK 7. Facility Carried: SCOTTSVILLE RD 9. Location: 00.00 INT OF CHAPEL HILL RD	4. City/Town: 00000 () 98. Border Bridge: 99. Border Bridge Number: 11. Mile Point (over): 0 16. Latitude: 38.39199 17. Longitude: -85.910622
---	--

STRUCTURE DATA

43A. Structure Type - Main Span: 5 (PRESTRESSED CONCRETE) 43B. Structure Type - Main Span - Const. 05 (ADJACENT BOX BEAM) 107. Deck Structure Type: 2 (CONCRETE PRECAST) 108A. Wearing Surface: 6 (BITUMINOUS) 108C. Protection 0 (NONE)	44. Structure Type - Approach: 000 45. Number of Spans - Main: 1 46. Number of Spans - Approach: 0000 108B. Membrane: 8 (UNKNOWN)
--	--

AGE OF SERVICE

27. Year Built: 1969 42A. Type of Service Over: 1 (HIGHWAY) 28A. Lanes on Structure: 2 29. ADT - Over: 793 VPD 114. Future ADT: 1168 VPD 109. Average Truck Traffic: 6 %Trucks	106. Reconstructed: 0 42B. Type of Service Under: 5 (WATERWAY) 28B. Lanes Under Structure: 0 30. ADT Year Over: 2016 115. Future ADT Year: 2036 19. Bypass Detour Length: 5 mi.
---	--

GEOMETRIC DATA

48. Maximum Span Length: 48 ft. 50A. Sidewalk/Curb Left: 0.0 ft. 51. Bridge Roadway Width: 29.7 ft. 32. Approach Roadway Width: 24 ft. 34. Skew: 10 Degree(s) 10. Defense Vertical Clearance: 99.99 47. Total Horiz. Clearance: 29.7 ft. 55A. Min Latr. Cl. Right - Code: N 55B. Lateral Right: 0 ft.	49. Structure Length: 50.1 ft. 50B. Sidewalk/Curb Right: 0.0 ft. 52. Deck Width (O-O) 30.3 ft. 33. Bridge Median: 0 (NO MEDIAN) 35. Structure Flared: 0 (NO FLARE) 53. Vertical Clearance/Deck: 99.99 ft. 54A. Min Vert Clear Code: N 54B. Underclearance: 0 ft. 56. Lateral Left: 0 ft.
---	--

STRUCTURE INVENTORY AND APPRAISAL REPORT - 2

NBI Number: 2200001
 Facility Carried: SCOTTSVILLE RD

Bridge Number: 22-00001
 Feature(s) Intersected: BANNAMON CREEK

NAVIGATION

38. Navigational Control:	0	40. Navigational Horizontal Clearance:	0 ft.
39. Navigational Vertical Clearance:	0 ft.	116. Vertical Clearance - Lift Bridge:	ft.
111. Pier/Abutment Protection:			

CLASSIFICATION

112. NBIS Bridge Length:	Y	12. Base Highway Network:	0
104. Highway System - Over:	0 (NOT ON NHS)	13A. LRS Inventory Route:	
26. Func. Class - Over:	07 (RURAL - MAJOR COLLECTOR)	13B. LRS Inventory Subroute:	
100. Defense Highway Des:	0	101. Parallel Structure Des:	N
102. Direction of Traffic:	2 (2-WAY TRAFFIC)	103. Temporary Structure Des:	
110. Des. Nat. Network:	0	20. Toll:	3 (ON FREE ROAD-NO TOLL)
21. Maint. Responsibility:	02 (COUNTY HIGHWAY AGENCY)	22. Owner:	02 (COUNTY HIGHWAY AGENCY)
37. Historical Significance:	5 (NOT ELIGIBLE)		

CONDITION

58. Deck:	Material: CONCRETE	Rating:	6
SATIS - EXCESSIVE WEARING SURFACE			
58.01. Wearing Surface:	Material: BITUMINOUS (6")	Rating:	6
SATIS - NOT FULL WIDTH, LONG AND TRANSVERSE CRACKS			
59. Superstructure:	Material: CONCRETE	Rating:	7
GOOD - SEEPAGE BETWEEN BEAMS			
60. Substructure:	Material: CONCRETE	Rating:	6
SATIS - SPALLS, VERT HAIRLINE CRACKS, TOP OF FOOTING EXPOSED			
61. Channel:	Material: STONE	Rating:	6
SATIS - MINOR BANK EROSION			
62. Culvert/Ret:	Material: N/A	Rating:	N
N/A			

LOAD RATING AND POSTING

31. Design Load:	5 (HS 20)	63. Oper Rating Method:	3 (LOAD RESISTANCE FACTOR (LRFR))
64. Operating Rating:	48	65. Inv Rating Method:	3 (LOAD AND RESISTANCE FACTOR (LRFR))
66. Inventory Rating:	36	66C. Tons Posted:	Tons
66B. Gross Tons or H Rating:	28 Tons	66D. Date Posted/Closed:	
41. Open, Posted, or Closed:	A (OPEN)	70. Bridge Posting:	5 (EQUAL TO OR ABOVE LEGAL LOADS)

STRUCTURE INVENTORY AND APPRAISAL REPORT - 3

NBI Number: 2200001
 Facility Carried: SCOTTSVILLE RD

Bridge Number: 22-00001
 Feature(s) Intersected: BANNAMON CREEK

APPRAISAL

67.	Structural:	6
68.	Geometry:	6
69.	Underclearance:	N
71.	Waterway Adequacy:	7
36A.	Traffic Safety Features (Bridge Railings):	1 (MEETS ACCEPTABLE STANDARDS)
36B.	Traffic Safety Features (Transitions):	0 (DOES NOT MEET ACCEPTABLE STANDARDS/SAFETY FEATURE IS REQUIRED)
36C.	Traffic Safety Features (Approach Guardrail):	0 (DOES NOT MEET ACCEPTABLE STANDARDS/SAFETY FEATURE IS REQUIRED)
36D.	Traffic Safety Features (Approach Guardrail Ends):	0 (DOES NOT MEET ACCEPTABLE STANDARDS/SAFETY FEATURE IS REQUIRED)
72.	Roadway Alignment:	6 - IN CURVE, HILL EACH WAY, INT. NW COR.
	Material:	BITUMINOUS
	Comments:	LONG. AND TRANS. CRACKS
113.	Scour Critical Bridges:	5 (STABLE - WITHIN LIMITS)
	Comments:	

PROPOSED IMPROVEMENTS

75A.	Type of Work:	(NO WORK NEEDED.)
75B.	Work Done By:	0
76.	Improvement Length:	0 ft.
94.	Bridge Improvement Costs:	0 x 1000
95.	Roadway Improvement Costs:	0 x 1000
96.	Total Project Cost:	0 x 1000
97.	Year of Cost Estimate:	

RECOMMENDED MAINTENANCE

RECOMMEND INSTALLING CURRENT STD. BRIDGE & APPR. RAIL W/END TREATMENT, EXTENDING WEARING SURFACE FULL WIDTH, REPAIR DAMAGED BRIDGE AND APPROACH GUARDRAIL IN NW CORNER.

INSPECTION DATA

90.	Date:	3/4/2020	91.	Des. Inspection Frequency:	24 Months
92.	Critical Feature Inspection:	A: N	B: N	C: N	
93.	Date:	A:	B:	C:	

Unofficial Sufficiency Rating: 93.9
 Unofficial Structural and Functional Classification: 0 (OK)



LOOKING EAST FROM ROAD



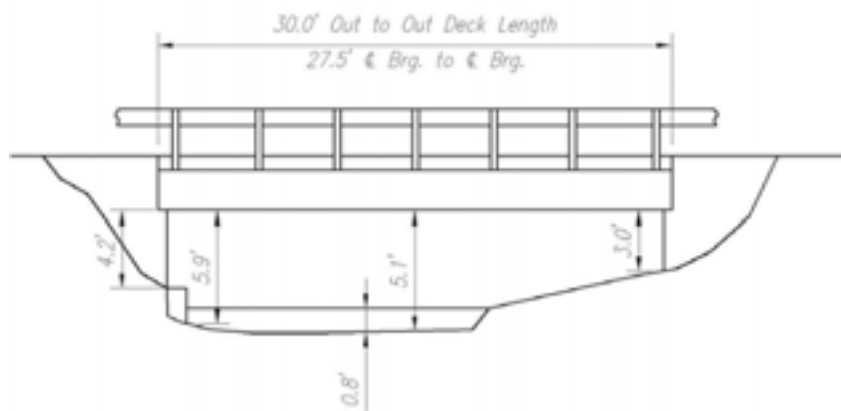
LOOKING WEST FROM ROAD



LOOKING SOUTH THROUGH CHANNEL



BEAM 6 SPALL



See on
Township Map

FLOYD COUNTY - BRIDGE NO. 22-00002
HANKA RD over BANNAMON CREEK

STRUCTURE INVENTORY AND APPRAISAL REPORT - 1

NBI Number: 2200002
 Facility Carried: HANKA Rd

Bridge Number: 22-00002
 Feature(s) Intersected: BANNAMON Creek

IDENTIFICATION

1.	State:	185 (INDIANA)	4.	City/Town:	00000 ()
8.	NBI Number:	2200002	98.	Border Bridge:	
5.	Inventory Route On:	1-4-2- 0-0	99.	Border Bridge Number:	
2.	District:	05 (SEYMOUR)	11.	Mile Point (over):	0
3.	County:	022 (FLOYD)	16.	Latitude:	38.39307
6.	Feat Intersected:	BANNAMON Creek	17.	Longitude:	-85.908287
7.	Facility Carried:	HANKA Rd			
9.	Location:	00.20 E of SCTS'VILE Rd			

STRUCTURE DATA

43A.	Structure Type - Main Span:	5 (PRESTRESSED CONCRETE)	44.	Structure Type - Approach:	000
43B.	Structure Type - Main Span - Const.	05 (ADJACENT BOX BEAM)	45.	Number of Spans - Main:	1
107.	Deck Structure Type:	2 (CONCRETE PRECAST)	46.	Number of Spans - Approach:	0000
108A.	Wearing Surface:	6 (BITUMINOUS)	108B.	Membrane:	8 (UNKNOWN)
108C.	Protection	8 (UNKNOWN)			

AGE OF SERVICE

27.	Year Built:	1989	106.	Reconstructed:	0
42A.	Type of Service Over:	1 (HIGHWAY)	42B.	Type of Service Under:	5 (WATERWAY)
28A.	Lanes on Structure:	2	28B.	Lanes Under Structure:	0
29.	ADT - Over:	244 VPD	30.	ADT Year Over:	2016
114.	Future ADT:	359 VPD	115.	Future ADT Year:	2036
109.	Average Truck Traffic:	4 %Trucks	19.	Bypass Detour Length:	5 mi.

GEOMETRIC DATA

48.	Maximum Span Length:	27.5 ft.	49.	Structure Length:	30 ft.
50A.	Sidewalk/Curb Left:	0.0 ft.	50B.	Sidewalk/Curb Right:	0.0 ft.
51.	Bridge Roadway Width:	23.7 ft.	52.	Deck Width (O-O)	24.1 ft.
32.	Approach Roadway Width:	24 ft.	33.	Bridge Median:	0 (NO MEDIAN)
34.	Skew:	0 Degree(s)	35.	Structure Flared:	0 (NO FLARE)
10.	Defense Vertical Clearance:	99.99	53.	Vertical Clearance/Deck:	99.99 ft.
47.	Total Horiz. Clearance:	23.7 ft.	54A.	Min Vert Clear Code:	N
55A.	Min Latr. Cl. Right - Code:	N	54B.	Underclearance:	0 ft.
55B.	Lateral Right:	0 ft.	56.	Lateral Left:	0 ft.

STRUCTURE INVENTORY AND APPRAISAL REPORT - 2

NBI Number: 2200002
 Facility Carried: HANKA Rd

Bridge Number: 22-00002
 Feature(s) Intersected: BANNAMON Creek

NAVIGATION

38. Navigational Control: 0	40. Navigational Horizontal Clearance: 0 ft.
39. Navigational Vertical Clearance: 0 ft.	116. Vertical Clearance - Lift Bridge: ft.
111. Pier/Abutment Protection:	

CLASSIFICATION

112. NBIS Bridge Length: Y	12. Base Highway Network: 0
104. Highway System - Over: 0 (NOT ON NHS)	13A. LRS Inventory Route:
26. Func. Class - Over: 08 (RURAL - MINOR COLLECTOR)	13B. LRS Inventory Subroute:
100. Defense Highway Des: 0	101. Parallel Structure Des: N
102. Direction of Traffic: 2 (2-WAY TRAFFIC)	103. Temporary Structure Des:
110. Des. Nat. Network: 0	20. Toll: 3 (ON FREE ROAD-NO TOLL)
21. Maint. Responsibility: 02 (COUNTY HIGHWAY AGENCY)	22. Owner: 02 (COUNTY HIGHWAY AGENCY)
37. Historical Significance: 5 (NOT ELIGIBLE)	

CONDITION

58. Deck: GOOD - NO MAJOR DEFECTS	Material: CONCRETE	Rating: 7
58.01. Wearing Surface: GOOD - NOT A FULL WIDTH, CRACKS AT BRIDGE ENDS	Material: BITUMINOUS (3")	Rating: 7
59. Superstructure: GOOD - SMALL SPALL AT BEAM 6	Material: CONCRETE	Rating: 7
60. Substructure: GOOD - TOP OF FOOTINGS EXPOSED, FOUNDED ON ROCK	Material: CONCRETE	Rating: 7
61. Channel: SATIS - TREES NEAR BRIDGE, WEIR JUST UPSTREAM, GRAVEL STREAMBED	Material: NATURAL & RIPRAP	Rating: 6
62. Culvert/Ret: N/A	Material: N/A	Rating: N

LOAD RATING AND POSTING

31. Design Load: 0 (UNKNOWN)	63. Oper Rating Method: 3 (LOAD RESISTANCE FACTOR (LRFR))
64. Operating Rating: 55	65. Inv Rating Method: 3 (LOAD AND RESISTANCE FACTOR (LRFR))
66. Inventory Rating: 40	66C. Tons Posted: Tons
66B. Gross Tons or H Rating: 24 Tons	66D. Date Posted/Closed:
41. Open, Posted, or Closed: A (OPEN)	70. Bridge Posting: 5 (EQUAL TO OR ABOVE LEGAL LOADS)

STRUCTURE INVENTORY AND APPRAISAL REPORT - 3

NBI Number: 2200002
 Facility Carried: HANKA Rd

Bridge Number: 22-00002
 Feature(s) Intersected: BANNAMON Creek

APPRAISAL

67.	Structural:	7
68.	Geometry:	4
69.	Underclearance:	N
71.	Waterway Adequacy:	6
36A.	Traffic Safety Features (Bridge Railings):	1 (MEETS ACCEPTABLE STANDARDS)
36B.	Traffic Safety Features (Transitions):	0 (DOES NOT MEET ACCEPTABLE STANDARDS/SAFETY FEATURE IS REQUIRED)
36C.	Traffic Safety Features (Approach Guardrail):	0 (DOES NOT MEET ACCEPTABLE STANDARDS/SAFETY FEATURE IS REQUIRED)
36D.	Traffic Safety Features (Approach Guardrail Ends):	0 (DOES NOT MEET ACCEPTABLE STANDARDS/SAFETY FEATURE IS REQUIRED)
72.	Roadway Alignment:	6 - TANGENT, CURVE & UPGRADE TO HILL EAST
	Material:	BITUMINOUS
	Comments:	LONG. CRACKS, CRACKS AT BRIDGE ENDS
113.	Scour Critical Bridges:	5 (STABLE - WITHIN LIMITS)
	Comments:	

PROPOSED IMPROVEMENTS

75A.	Type of Work:	(NO WORK NEEDED.)
75B.	Work Done By:	0
76.	Improvement Length:	0 ft.
94.	Bridge Improvement Costs:	0 x 1000
95.	Roadway Improvement Costs:	0 x 1000
96.	Total Project Cost:	0 x 1000
97.	Year of Cost Estimate:	

RECOMMENDED MAINTENANCE

RECOMMEND INSTALLING CURRENT STD. BRIDGE & APPR. RAIL W/END TREATMENT AND NW & SE B.E.M.'S.

INSPECTION DATA

90.	Date:	3/4/2020	91.	Des. Inspection Frequency:	24 Months
92.	Critical Feature Inspection:	A: N	B: N	C: N	
93.	Date:	A:	B:	C:	

Unofficial Sufficiency Rating: 89.9
 Unofficial Structural and Functional Classification: 0 (OK)



LOOKING NORTH FROM ROAD



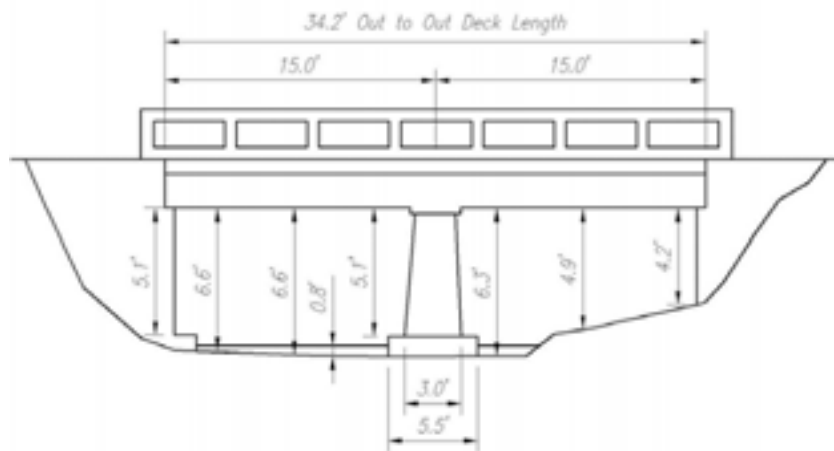
LOOKING SOUTH FROM ROAD



LOOKING WEST THROUGH CHANNEL



NORTH SPAN SPALLS



See Additional Photographs

See on Township Map

FLOYD COUNTY - BRIDGE NO. 22-00003
 CHAPEL HILL over THOMPSON CREEK

STRUCTURE INVENTORY AND APPRAISAL REPORT - 1

NBI Number: 2200003 Facility Carried: CHAPEL HILL	Bridge Number: 22-00003 Feature(s) Intersected: THOMPSON CREEK
--	---

IDENTIFICATION

1. State: 185 (INDIANA) 8. NBI Number: 2200003 5. Inventory Route On: 1-4-2- 0-0 2. District: 05 (SEYMOUR) 3. County: 022 (FLOYD) 6. Feat Intersected: THOMPSON CREEK 7. Facility Carried: CHAPEL HILL 9. Location: 00.50 N MARY-NAVILE	4. City/Town: 00000 () 98. Border Bridge: 99. Border Bridge Number: 11. Mile Point (over): 0 16. Latitude: 38.39624 17. Longitude: -85.925125
--	--

STRUCTURE DATA

43A. Structure Type - Main Span: 2 (CONTINUOUS CONCRETE) 43B. Structure Type - Main Span - Const. 01 (SLAB) 107. Deck Structure Type: 1 (CONCRETE CAST-IN-PLACE) 108A. Wearing Surface: 6 (BITUMINOUS) 108C. Protection 0 (NONE)	44. Structure Type - Approach: 000 45. Number of Spans - Main: 2 46. Number of Spans - Approach: 0000 108B. Membrane: 8 (UNKNOWN)
--	--

AGE OF SERVICE

27. Year Built: 1930 42A. Type of Service Over: 1 (HIGHWAY) 28A. Lanes on Structure: 1 29. ADT - Over: 244 VPD 114. Future ADT: 359 VPD 109. Average Truck Traffic: 3 %Trucks	106. Reconstructed: 0 42B. Type of Service Under: 5 (WATERWAY) 28B. Lanes Under Structure: 0 30. ADT Year Over: 2016 115. Future ADT Year: 2036 19. Bypass Detour Length: 4 mi.
--	--

GEOMETRIC DATA

48. Maximum Span Length: 15 ft. 50A. Sidewalk/Curb Left: 0.0 ft. 51. Bridge Roadway Width: 16.1 ft. 32. Approach Roadway Width: 14 ft. 34. Skew: 20 Degree(s) 10. Defense Vertical Clearance: 99.99 47. Total Horiz. Clearance: 16.1 ft. 55A. Min Latr. Cl. Right - Code: N 55B. Lateral Right: 0 ft.	49. Structure Length: 34.2 ft. 50B. Sidewalk/Curb Right: 0.0 ft. 52. Deck Width (O-O) 18.4 ft. 33. Bridge Median: 0 (NO MEDIAN) 35. Structure Flared: 0 (NO FLARE) 53. Vertical Clearance/Deck: 99.99 ft. 54A. Min Vert Clear Code: N 54B. Underclearance: 0 ft. 56. Lateral Left: 0 ft.
---	--

STRUCTURE INVENTORY AND APPRAISAL REPORT - 2

NBI Number: 2200003
 Facility Carried: CHAPEL HILL

Bridge Number: 22-00003
 Feature(s) Intersected: THOMPSON CREEK

NAVIGATION

38. Navigational Control:	0	40. Navigational Horizontal Clearance:	0 ft.
39. Navigational Vertical Clearance:	0 ft.	116. Vertical Clearance - Lift Bridge:	ft.
111. Pier/Abutment Protection:			

CLASSIFICATION

112. NBIS Bridge Length:	Y	12. Base Highway Network:	0
104. Highway System - Over:	0 (NOT ON NHS)	13A. LRS Inventory Route:	
26. Func. Class - Over:	09 (RURAL - LOCAL)	13B. LRS Inventory Subroute:	
100. Defense Highway Des:	0	101. Parallel Structure Des:	N
102. Direction of Traffic:	3 (ONE LANE BRIDGE FOR 2-WAY TRAFFIC)	103. Temporary Structure Des:	
110. Des. Nat. Network:	0	20. Toll:	3 (ON FREE ROAD-NO TOLL)
21. Maint. Responsibility:	02 (COUNTY HIGHWAY AGENCY)	22. Owner:	02 (COUNTY HIGHWAY AGENCY)
37. Historical Significance:	5 (NOT ELIGIBLE)		

CONDITION

58. Deck:	Material: CONCRETE	Rating:	4
POOR - WIDE VERTICAL CRACKS IN RAILING OVER PIER, SEVERE SCALING BOTTOM 1' OF WEST COPING, TOP OF BRIDGE RAILING MISSING AT SOUTHEAST CORNER			
58.01. Wearing Surface:	Material: BITUMINOUS (2")	Rating:	6
SATIS - MANY CRACKS, DEBRIS IN GUTTERS			
59. Superstructure:	Material: CONT. CONC. SLAB	Rating:	4
POOR - LARGE SPALLS WITH EXPOSED REINFORCING, EXTENSIVE EFFLORESCENCE THRU MANY CRACKS IN SLAB			
60. Substructure:	Material: CONC. ABUTS/PIERS	Rating:	5
FAIR - TOP OF FOOTINGS EXPOSED			
61. Channel:	Material: NATURAL/RIPRAP	Rating:	6
SATIS - EROSION, SILT BUILDUP IN NORTH SPAN			
62. Culvert/Ret:	Material: N/A	Rating:	N
N/A			

LOAD RATING AND POSTING

31. Design Load:	0 (UNKNOWN)	63. Oper Rating Method:	0 (FIELD EVAL AND ENG JUDGEMENT)
64. Operating Rating:	36	65. Inv Rating Method:	0 (FIELD EVAL AND ENG JUDGEMENT)
66. Inventory Rating:	36	66C. Tons Posted:	Tons
66B. Gross Tons or H Rating:	20 Tons	66D. Date Posted/Closed:	
41. Open, Posted, or Closed:	A (OPEN)	70. Bridge Posting:	5 (EQUAL TO OR ABOVE LEGAL LOADS)

STRUCTURE INVENTORY AND APPRAISAL REPORT - 3

NBI Number: 2200003
Facility Carried: CHAPEL HILL

Bridge Number: 22-00003
Feature(s) Intersected: THOMPSON CREEK

APPRAISAL

67.	Structural:	4
68.	Geometry:	2
69.	Underclearance:	N
71.	Waterway Adequacy:	6
36A.	Traffic Safety Features (Bridge Railings):	1 (MEETS ACCEPTABLE STANDARDS)
36B.	Traffic Safety Features (Transitions):	0 (DOES NOT MEET ACCEPTABLE STANDARDS/SAFETY FEATURE IS REQUIRED)
36C.	Traffic Safety Features (Approach Guardrail):	0 (DOES NOT MEET ACCEPTABLE STANDARDS/SAFETY FEATURE IS REQUIRED)
36D.	Traffic Safety Features (Approach Guardrail Ends):	0 (DOES NOT MEET ACCEPTABLE STANDARDS/SAFETY FEATURE IS REQUIRED)
72.	Roadway Alignment:	6 - CURVE & HILL N., CURVE & LEVEL SOUTH
	Material:	BITUMINOUS
	Comments:	NUMEROUS LONGITUDINAL AND TRANSVERSE CRACKS
113.	Scour Critical Bridges:	5 (STABLE - WITHIN LIMITS)
	Comments:	

PROPOSED IMPROVEMENTS

75A.	Type of Work:	31 (REPLACE BRIDGE DUE TO DETERIORATION OF SUPERSTRUCTURE.)
75B.	Work Done By:	1 (CONTRACT)
76.	Improvement Length:	56 ft.
94.	Bridge Improvement Costs:	232 x 1000
95.	Roadway Improvement Costs:	184 x 1000
96.	Total Project Cost:	525 x 1000
97.	Year of Cost Estimate:	2020

RECOMMENDED MAINTENANCE

UNTIL REPLACEMENT, RECOMMEND INSTALLING CURRENT STANDARD APPROACH RAILING WITH END TREATMENT AND NORTHEAST AND SOUTHWEST BRIDGE END MARKERS.

INSPECTION DATA

90.	Date:	3/4/2020	91.	Des. Inspection Frequency:	12 Months
92.	Critical Feature Inspection:	A: N	B: N	C: N	
93.	Date:	A:	B:	C:	

Unofficial Sufficiency Rating: 56.4
Unofficial Structural and Functional Classification: 1 (STRUCTURALLY DEFICIENT)



LOOKING NW FROM ROAD



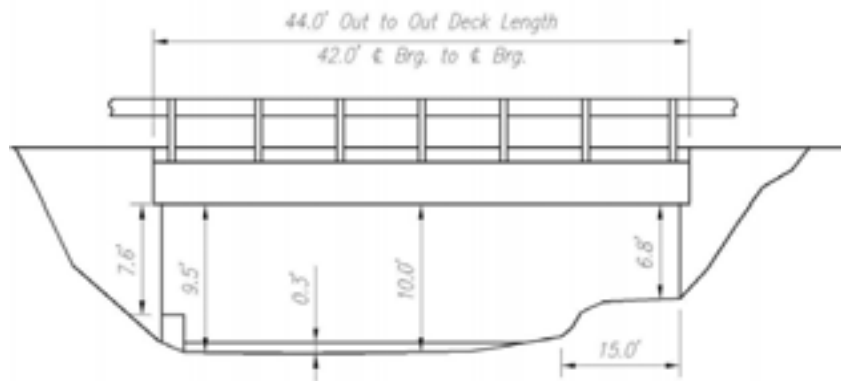
LOOKING SE FROM ROAD



LOOKING SOUTH THROUGH CHANNEL



EAST ABUTMENT AND UNDERSIDE EFFL.



See on
Township Map

FLOYD COUNTY - BRIDGE NO. 22-00004
MILLER RD over MILLER BR OF JERSEY PK B

STRUCTURE INVENTORY AND APPRAISAL REPORT - 1

NBI Number: 2200004 Facility Carried: MILLER RD	Bridge Number: 22-00004 Feature(s) Intersected: MILLER BR OF JERSEY PK B
--	---

IDENTIFICATION

1. State: 185 (INDIANA) 8. NBI Number: 2200004 5. Inventory Route On: 1-4-2- 0-0 2. District: 05 (SEYMOUR) 3. County: 022 (FLOYD) 6. Feat Intersected: MILLER BR OF JERSEY PK B 7. Facility Carried: MILLER RD 9. Location: 00.20 N of BORDEN RD	4. City/Town: 00000 () 98. Border Bridge: 99. Border Bridge Number: 11. Mile Point (over): 0 16. Latitude: 38.40067 17. Longitude: -85.970123
---	--

STRUCTURE DATA

43A. Structure Type - Main Span: 5 (PRESTRESSED CONCRETE) 43B. Structure Type - Main Span - Const. 05 (ADJACENT BOX BEAM) 107. Deck Structure Type: 2 (CONCRETE PRECAST) 108A. Wearing Surface: 6 (BITUMINOUS) 108C. Protection 0 (NONE)	44. Structure Type - Approach: 000 45. Number of Spans - Main: 1 46. Number of Spans - Approach: 0000 108B. Membrane: 8 (UNKNOWN)
--	--

AGE OF SERVICE

27. Year Built: 1972 42A. Type of Service Over: 1 (HIGHWAY) 28A. Lanes on Structure: 2 29. ADT - Over: 146 VPD 114. Future ADT: 215 VPD 109. Average Truck Traffic: 3 %Trucks	106. Reconstructed: 0 42B. Type of Service Under: 5 (WATERWAY) 28B. Lanes Under Structure: 0 30. ADT Year Over: 2016 115. Future ADT Year: 2036 19. Bypass Detour Length: 4 mi.
--	--

GEOMETRIC DATA

48. Maximum Span Length: 42 ft. 50A. Sidewalk/Curb Left: 0.0 ft. 51. Bridge Roadway Width: 28.8 ft. 32. Approach Roadway Width: 16 ft. 34. Skew: 20 Degree(s) 10. Defense Vertical Clearance: 99.99 47. Total Horiz. Clearance: 28.8 ft. 55A. Min Latr. Cl. Right - Code: N 55B. Lateral Right: 0 ft.	49. Structure Length: 44 ft. 50B. Sidewalk/Curb Right: 0.0 ft. 52. Deck Width (O-O) 30.5 ft. 33. Bridge Median: 0 (NO MEDIAN) 35. Structure Flared: 0 (NO FLARE) 53. Vertical Clearance/Deck: 99.99 ft. 54A. Min Vert Clear Code: N 54B. Underclearance: 0 ft. 56. Lateral Left: 0 ft.
---	--

STRUCTURE INVENTORY AND APPRAISAL REPORT - 2

NBI Number: 2200004
 Facility Carried: MILLER RD

Bridge Number: 22-00004
 Feature(s) Intersected: MILLER BR OF JERSEY PK B

NAVIGATION

38. Navigational Control:	0	40. Navigational Horizontal Clearance:	0 ft.
39. Navigational Vertical Clearance:	0 ft.	116. Vertical Clearance - Lift Bridge:	ft.
111. Pier/Abutment Protection:			

CLASSIFICATION

112. NBIS Bridge Length:	Y	12. Base Highway Network:	0
104. Highway System - Over:	0 (NOT ON NHS)	13A. LRS Inventory Route:	
26. Func. Class - Over:	09 (RURAL - LOCAL)	13B. LRS Inventory Subroute:	
100. Defense Highway Des:	0	101. Parallel Structure Des:	N
102. Direction of Traffic:	2 (2-WAY TRAFFIC)	103. Temporary Structure Des:	
110. Des. Nat. Network:	0	20. Toll:	3 (ON FREE ROAD-NO TOLL)
21. Maint. Responsibility:	02 (COUNTY HIGHWAY AGENCY)	22. Owner:	02 (COUNTY HIGHWAY AGENCY)
37. Historical Significance:	5 (NOT ELIGIBLE)		

CONDITION

58. Deck:	Material: CONCRETE	Rating:	7
GOOD - SEEPAGE BETWEEN BEAMS			
58.01. Wearing Surface:	Material: BITUMINOUS (1")	Rating:	6
SATIS - NOT FULL WIDTH, CRACKS			
59. Superstructure:	Material: CONCRETE	Rating:	6
SATIS - SEEPAGE BETWEEN BEAMS WITH HVY EFFL. BTW BMS 4-8			
60. Substructure:	Material: CONCRETE, FOUNDATION SOLID ROCK	Rating:	7
GOOD - EAST FOOTING MOSTLY EXPOSED, E ABUTMENT 1 VERT HL CRK UNDER BM 5			
61. Channel:	Material: NATURAL ROCK BOTTOM	Rating:	6
SATIS - LARGE TREES NEAR BRIDGE, FLOW ALONG E ABUTMENT			
62. Culvert/Ret:	Material: N/A	Rating:	N
N/A			

LOAD RATING AND POSTING

31. Design Load:	0 (UNKNOWN)	63. Oper Rating Method:	3 (LOAD RESISTANCE FACTOR (LRFR))
64. Operating Rating:	89	65. Inv Rating Method:	3 (LOAD AND RESISTANCE FACTOR (LRFR))
66. Inventory Rating:	73	66C. Tons Posted:	Tons
66B. Gross Tons or H Rating:	53 Tons	66D. Date Posted/Closed:	
41. Open, Posted, or Closed:	A (OPEN)	70. Bridge Posting:	5 (EQUAL TO OR ABOVE LEGAL LOADS)

STRUCTURE INVENTORY AND APPRAISAL REPORT - 3

NBI Number: 2200004
 Facility Carried: MILLER RD

Bridge Number: 22-00004
 Feature(s) Intersected: MILLER BR OF JERSEY PK B

APPRAISAL

67.	Structural:	6
68.	Geometry:	6
69.	Underclearance:	N
71.	Waterway Adequacy:	6
36A.	Traffic Safety Features (Bridge Railings):	1 (MEETS ACCEPTABLE STANDARDS)
36B.	Traffic Safety Features (Transitions):	0 (DOES NOT MEET ACCEPTABLE STANDARDS/SAFETY FEATURE IS REQUIRED)
36C.	Traffic Safety Features (Approach Guardrail):	0 (DOES NOT MEET ACCEPTABLE STANDARDS/SAFETY FEATURE IS REQUIRED)
36D.	Traffic Safety Features (Approach Guardrail Ends):	0 (DOES NOT MEET ACCEPTABLE STANDARDS/SAFETY FEATURE IS REQUIRED)
72.	Roadway Alignment:	8 - TANGENT, HUMP UP TO BRIDGE FROM EAST
	Material:	BITUMINOUS
	Comments:	CRACKING EDGE DETERIORATION. TREE LIMBS GROWING OVER GUARD RAIL
113.	Scour Critical Bridges:	5 (STABLE - WITHIN LIMITS)
	Comments:	

PROPOSED IMPROVEMENTS

75A.	Type of Work:	(NO WORK NEEDED.)
75B.	Work Done By:	0
76.	Improvement Length:	0 ft.
94.	Bridge Improvement Costs:	0 x 1000
95.	Roadway Improvement Costs:	0 x 1000
96.	Total Project Cost:	0 x 1000
97.	Year of Cost Estimate:	

RECOMMENDED MAINTENANCE

RECOMMEND INSTALLING CURRENT STD. APPR. RAIL W/END TREATMENT AND NE & SW B.E.M.'S, PLACING RIPRAP BEHIND WINGS AND AT BRIDGE CORNERS.

INSPECTION DATA

90.	Date:	3/5/2020	91.	Des. Inspection Frequency:	24 Months
92.	Critical Feature Inspection:	A: N	B: N	C: N	
93.	Date:	A:	B:	C:	

Unofficial Sufficiency Rating: 98.0
 Unofficial Structural and Functional Classification: 0 (OK)



LOOKING WEST FROM ROAD



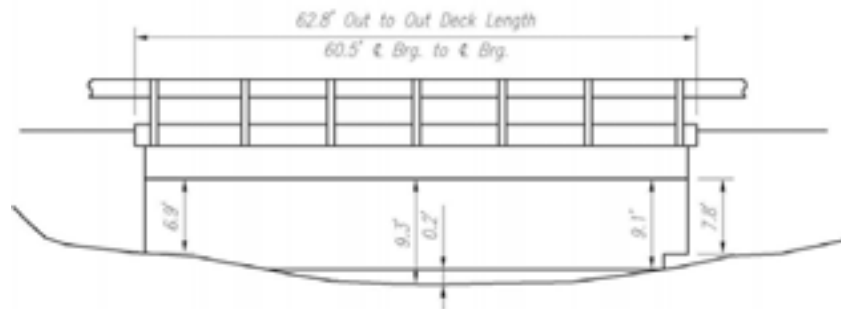
LOOKING EAST FROM ROAD



LOOKING SOUTH THROUGH CHANNEL



SOUTH COPING BEAM CRACK



See Additional Photographs

See on Township Map

STRUCTURE INVENTORY AND APPRAISAL REPORT - 1

NBI Number: 2200005	Bridge Number: 22-00005
Facility Carried: ARTHUR COFFMAN RD	Feature(s) Intersected: JERSEY PARK CREEK

IDENTIFICATION

1. State: 185 (INDIANA)	4. City/Town: 00000 ()
8. NBI Number: 2200005	
5. Inventory Route On: 1-4-2- 0-0	98. Border Bridge:
2. District: 05 (SEYMOUR)	99. Border Bridge Number:
3. County: 022 (FLOYD)	
6. Feat Intersected: JERSEY PARK CREEK	11. Mile Point (over): 0
7. Facility Carried: ARTHUR COFFMAN RD	16. Latitude: 38.37439
9. Location: 00.10 W OF GREEN'VL/BORDE	17. Longitude: -85.965958

STRUCTURE DATA

43A. Structure Type - Main Span: 5 (PRESTRESSED CONCRETE)	44. Structure Type - Approach: 000
43B. Structure Type - Main Span - Const. 05 (ADJACENT BOX BEAM)	45. Number of Spans - Main: 1
107. Deck Structure Type: 2 (CONCRETE PRECAST)	46. Number of Spans - Approach: 0000
108A. Wearing Surface: 1 (MONOLITHIC CONCRETE)	108B. Membrane: 0 (NONE)
108C. Protection 8 (UNKNOWN)	

AGE OF SERVICE

27. Year Built: 1992	106. Reconstructed: 0
42A. Type of Service Over: 1 (HIGHWAY)	42B. Type of Service Under: 5 (WATERWAY)
28A. Lanes on Structure: 2	28B. Lanes Under Structure: 0
29. ADT - Over: 663 VPD	30. ADT Year Over: 2016
114. Future ADT: 976 VPD	115. Future ADT Year: 2036
109. Average Truck Traffic: 4 %Trucks	19. Bypass Detour Length: 2 mi.

GEOMETRIC DATA

48. Maximum Span Length: 60.5 ft.	49. Structure Length: 62.8 ft.
50A. Sidewalk/Curb Left: 0.0 ft.	50B. Sidewalk/Curb Right: 0.0 ft.
51. Bridge Roadway Width: 24 ft.	52. Deck Width (O-O): 24.3 ft.
32. Approach Roadway Width: 22 ft.	33. Bridge Median: 0 (NO MEDIAN)
34. Skew: 0 Degree(s)	35. Structure Flared: 0 (NO FLARE)
10. Defense Vertical Clearance: 99.99	53. Vertical Clearance/Deck: 99.99 ft.
47. Total Horiz. Clearance: 24 ft.	54A. Min Vert Clear Code: N
55A. Min Latr. Cl. Right - Code: N	54B. Underclearance: 0 ft.
55B. Lateral Right: 0 ft.	56. Lateral Left: 0 ft.

STRUCTURE INVENTORY AND APPRAISAL REPORT - 2

NBI Number: 2200005 Facility Carried: ARTHUR COFFMAN RD	Bridge Number: 22-00005 Feature(s) Intersected: JERSEY PARK CREEK
--	--

NAVIGATION

38. Navigational Control: 0	40. Navigational Horizontal Clearance: 0 ft.
39. Navigational Vertical Clearance: 0 ft.	116. Vertical Clearance - Lift Bridge: ft.
111. Pier/Abutment Protection:	

CLASSIFICATION

112. NBIS Bridge Length: Y	12. Base Highway Network: 0
104. Highway System - Over: 0 (NOT ON NHS)	13A. LRS Inventory Route:
26. Func. Class - Over: 08 (RURAL - MINOR COLLECTOR)	13B. LRS Inventory Subroute:
100. Defense Highway Des: 0	101. Parallel Structure Des: N
102. Direction of Traffic: 2 (2-WAY TRAFFIC)	103. Temporary Structure Des:
110. Des. Nat. Network: 0	20. Toll: 3 (ON FREE ROAD-NO TOLL)
21. Maint. Responsibility: 02 (COUNTY HIGHWAY AGENCY)	22. Owner: 02 (COUNTY HIGHWAY AGENCY)
37. Historical Significance: 5 (NOT ELIGIBLE)	

CONDITION

58. Deck:	Material: CONCRETE	Rating:	7
GOOD - POPOUTS, HAIRLINE CRACKS, 1/32" CRACK DOWN CL OF DECK			
58.01. Wearing Surface:	Material: CONCRETE	Rating:	7
GOOD - POPOUTS, LIGHT SCALING			
59. Superstructure:	Material: CONCRETE	Rating:	5
FAIR - CRACKS IN BOTTOM OF BOTH COPING BEAMS, SPALL W/ EXP. REIN. IN BOTTOM OF BEAM 4			
60. Substructure:	Material: CONCRETE	Rating:	7
GOOD - VERTICAL HAIRLINE CRACKS, W ABUT VERT HL CRACKS UNDER BM 2 & 4 WITH EFFL., E ABUT VERT HL CRACKS UNDER BM 2 & 5 WITH EFFL., TOP OF FOOTING EXPOSED			
61. Channel:	Material: NATURAL ROCK BOTTOM	Rating:	6
SATIS - BANK EROSION, FLOW AGAINST NW WING			
62. Culvert/Ret:	Material: N/A	Rating:	N
N/A			

LOAD RATING AND POSTING

31. Design Load: 5 (HS 20)	63. Oper Rating Method: 3 (LOAD RESISTANCE FACTOR (LRFR))
64. Operating Rating: 55	65. Inv Rating Method: 3 (LOAD AND RESISTANCE FACTOR (LRFR))
66. Inventory Rating: 34	66C. Tons Posted: Tons
66B. Gross Tons or H Rating: 28 Tons	66D. Date Posted/Closed:
41. Open, Posted, or Closed: A (OPEN)	70. Bridge Posting: 5 (EQUAL TO OR ABOVE LEGAL LOADS)

STRUCTURE INVENTORY AND APPRAISAL REPORT - 3

NBI Number: 2200005
Facility Carried: ARTHUR COFFMAN RD

Bridge Number: 22-00005
Feature(s) Intersected: JERSEY PARK CREEK

APPRAISAL

67.	Structural:	5
68.	Geometry:	4
69.	Underclearance:	N
71.	Waterway Adequacy:	6
36A.	Traffic Safety Features (Bridge Railings):	1 (MEETS ACCEPTABLE STANDARDS)
36B.	Traffic Safety Features (Transitions):	0 (DOES NOT MEET ACCEPTABLE STANDARDS/SAFETY FEATURE IS REQUIRED)
36C.	Traffic Safety Features (Approach Guardrail):	0 (DOES NOT MEET ACCEPTABLE STANDARDS/SAFETY FEATURE IS REQUIRED)
36D.	Traffic Safety Features (Approach Guardrail Ends):	1 (MEETS ACCEPTABLE STANDARDS)
72.	Roadway Alignment:	6 - CURVE BOTH WAYS, DIP & INT. E, HILL W.
	Material:	BITUMINOUS
	Comments:	NEW OVERLAY
113.	Scour Critical Bridges:	5 (STABLE - WITHIN LIMITS)
	Comments:	

PROPOSED IMPROVEMENTS

75A.	Type of Work:	(NO WORK NEEDED.)
75B.	Work Done By:	0
76.	Improvement Length:	0 ft.
94.	Bridge Improvement Costs:	0 x 1000
95.	Roadway Improvement Costs:	0 x 1000
96.	Total Project Cost:	0 x 1000
97.	Year of Cost Estimate:	

RECOMMENDED MAINTENANCE

RECOMMEND INSTALLING CURRENT STD. APPR. RAIL W/END TREATMENT AND NW & SE B.E.M.'S, AND REPAIR NW SHOULDER EROSION.

INSPECTION DATA

90.	Date:	3/5/2020	91.	Des. Inspection Frequency:	24 Months
92.	Critical Feature Inspection:	A: N	B: N	C: N	
93.	Date:	A:	B:	C:	

Unofficial Sufficiency Rating: 76.2
Unofficial Structural and Functional Classification: 0 (OK)



LOOKING NORTH FROM ROAD



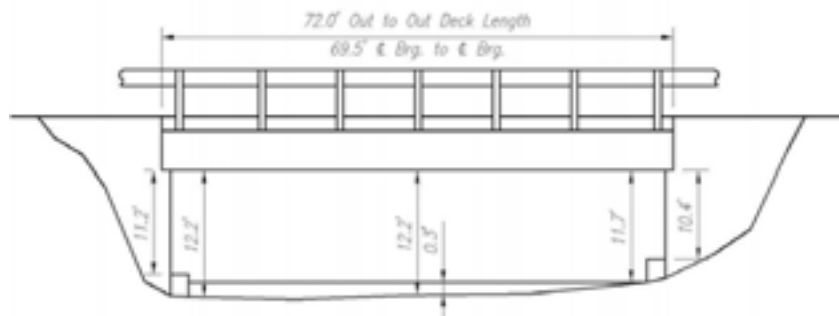
LOOKING SOUTH FROM ROAD



LOOKING WEST THROUGH CHANNEL



BEAM 5 AND 6 CRACKS AND DELAM.



See Additional Photographs

See on Township Map

FLOYD COUNTY - BRIDGE NO. 22-00006
 BORDEN RD over JERSEY PARK CREEK

STRUCTURE INVENTORY AND APPRAISAL REPORT - 1

NBI Number: 2200006
 Facility Carried: BORDEN RD

Bridge Number: 22-00006
 Feature(s) Intersected: JERSEY PARK CREEK

IDENTIFICATION

1.	State:	185 (INDIANA)	4.	City/Town:	00000 ()
8.	NBI Number:	2200006			
5.	Inventory Route On:	1-4-1- 0-0	98.	Border Bridge:	
2.	District:	05 (SEYMOUR)	99.	Border Bridge Number:	
3.	County:	022 (FLOYD)			
6.	Feat Intersected:	JERSEY PARK CREEK	11.	Mile Point (over):	0
7.	Facility Carried:	BORDEN RD	16.	Latitude:	38.38169
9.	Location:	00.50 N OF JERSEY PARK	17.	Longitude:	-85.966461

STRUCTURE DATA

43A.	Structure Type - Main Span:	5 (PRESTRESSED CONCRETE)	44.	Structure Type - Approach:	000
43B.	Structure Type - Main Span - Const.	05 (ADJACENT BOX BEAM)	45.	Number of Spans - Main:	1
107.	Deck Structure Type:	2 (CONCRETE PRECAST)	46.	Number of Spans - Approach:	0000
108A.	Wearing Surface:	6 (BITUMINOUS)	108B.	Membrane:	8 (UNKNOWN)
108C.	Protection	0 (NONE)			

AGE OF SERVICE

27.	Year Built:	1980	106.	Reconstructed:	0
42A.	Type of Service Over:	1 (HIGHWAY)	42B.	Type of Service Under:	5 (WATERWAY)
28A.	Lanes on Structure:	2	28B.	Lanes Under Structure:	0
29.	ADT - Over:	713 VPD	30.	ADT Year Over:	2016
114.	Future ADT:	1051 VPD	115.	Future ADT Year:	2036
109.	Average Truck Traffic:	5 %Trucks	19.	Bypass Detour Length:	5 mi.

GEOMETRIC DATA

48.	Maximum Span Length:	69.5 ft.	49.	Structure Length:	72 ft.
50A.	Sidewalk/Curb Left:	0.0 ft.	50B.	Sidewalk/Curb Right:	0.0 ft.
51.	Bridge Roadway Width:	32.2 ft.	52.	Deck Width (O-O)	32.4 ft.
32.	Approach Roadway Width:	26 ft.	33.	Bridge Median:	0 (NO MEDIAN)
34.	Skew:	45 Degree(s)	35.	Structure Flared:	0 (NO FLARE)
10.	Defense Vertical Clearance:	99.99	53.	Vertical Clearance/Deck:	99.99 ft.
47.	Total Horiz. Clearance:	32.2 ft.	54A.	Min Vert Clear Code:	N
55A.	Min Latr. Cl. Right - Code:	N	54B.	Underclearance:	0 ft.
55B.	Lateral Right:	0 ft.	56.	Lateral Left:	0 ft.

STRUCTURE INVENTORY AND APPRAISAL REPORT - 2

NBI Number: 2200006
 Facility Carried: BORDEN RD

Bridge Number: 22-00006
 Feature(s) Intersected: JERSEY PARK CREEK

NAVIGATION

38. Navigational Control:	0	40. Navigational Horizontal Clearance:	0 ft.
39. Navigational Vertical Clearance:	0 ft.	116. Vertical Clearance - Lift Bridge:	ft.
111. Pier/Abutment Protection:			

CLASSIFICATION

112. NBIS Bridge Length:	Y	12. Base Highway Network:	0
104. Highway System - Over:	0 (NOT ON NHS)	13A. LRS Inventory Route:	
26. Func. Class - Over:	07 (RURAL - MAJOR COLLECTOR)	13B. LRS Inventory Subroute:	
100. Defense Highway Des:	0	101. Parallel Structure Des:	N
102. Direction of Traffic:	2 (2-WAY TRAFFIC)	103. Temporary Structure Des:	
110. Des. Nat. Network:	0	20. Toll:	3 (ON FREE ROAD-NO TOLL)
21. Maint. Responsibility:	02 (COUNTY HIGHWAY AGENCY)	22. Owner:	02 (COUNTY HIGHWAY AGENCY)
37. Historical Significance:	5 (NOT ELIGIBLE)		

CONDITION

58. Deck:	Material: CONCRETE	Rating:	7
GOOD - NO MAJOR DEFECTS			
58.01. Wearing Surface:	Material: BITUMINOUS (3")	Rating:	7
GOOD - NOT FULL WIDTH			
59. Superstructure:	Material: CONCRETE	Rating:	5
FAIR - HL CRACKS WITH 2 DELAMS IN BOTTOM OF BEAM 3, SMALL DELAM IN BOTTOM OF BEAM 5 & 6			
60. Substructure:	Material: CONCRETE	Rating:	6
SATIS - VERT HL CRACKS, S ABUTMENT HAS 3 VERT HL CRACKS AT ABUTMENT DRAINS WITH LT EFFL., N ABUTMENT HAS 3 VERT HL CRACKS AT ABUTMENT DRAINS WITH LT EFFL., EXPOSED FOOTING FOUNDED ON SOLID ROCK			
61. Channel:	Material: NATURAL SOLID ROCK BOTTOM	Rating:	7
GOOD - FLOW TOWARDS NE CORNER			
62. Culvert/Ret:	Material: N/A	Rating:	N
N/A			

LOAD RATING AND POSTING

31. Design Load:	5 (HS 20)	63. Oper Rating Method:	3 (LOAD RESISTANCE FACTOR (LRFR))
64. Operating Rating:	40	65. Inv Rating Method:	3 (LOAD AND RESISTANCE FACTOR (LRFR))
66. Inventory Rating:	20	66C. Tons Posted:	Tons
66B. Gross Tons or H Rating:	17 Tons	66D. Date Posted/Closed:	
41. Open, Posted, or Closed:	A (OPEN)	70. Bridge Posting:	5 (EQUAL TO OR ABOVE LEGAL LOADS)

STRUCTURE INVENTORY AND APPRAISAL REPORT - 3

NBI Number: 2200006
Facility Carried: BORDEN RD

Bridge Number: 22-00006
Feature(s) Intersected: JERSEY PARK CREEK

APPRAISAL

67.	Structural:	5
68.	Geometry:	6
69.	Underclearance:	N
71.	Waterway Adequacy:	7
36A.	Traffic Safety Features (Bridge Railings):	1 (MEETS ACCEPTABLE STANDARDS)
36B.	Traffic Safety Features (Transitions):	0 (DOES NOT MEET ACCEPTABLE STANDARDS/SAFETY FEATURE IS REQUIRED)
36C.	Traffic Safety Features (Approach Guardrail):	1 (MEETS ACCEPTABLE STANDARDS)
36D.	Traffic Safety Features (Approach Guardrail Ends):	1 (MEETS ACCEPTABLE STANDARDS)
72.	Roadway Alignment:	6 - BRIDGE ON HUMP IN "S" CURVE
	Material:	BITUMINOUS
	Comments:	NEW OVERLAY
113.	Scour Critical Bridges:	5 (STABLE - WITHIN LIMITS)
	Comments:	

PROPOSED IMPROVEMENTS

75A.	Type of Work:	(NO WORK NEEDED.)
75B.	Work Done By:	0
76.	Improvement Length:	0 ft.
94.	Bridge Improvement Costs:	0 x 1000
95.	Roadway Improvement Costs:	0 x 1000
96.	Total Project Cost:	0 x 1000
97.	Year of Cost Estimate:	

RECOMMENDED MAINTENANCE

RECOMMEND INSTALLING CURRENT STD. NE & SW B.E.M.'S.

INSPECTION DATA

90.	Date:	3/5/2020	91.	Des. Inspection Frequency:	24 Months
92.	Critical Feature Inspection:	A: N	B: N	C: N	
93.	Date:	A:	B:	C:	
	Unofficial Sufficiency Rating:	71.0			
	Unofficial Structural and Functional Classification:	0 (OK)			



LOOKING WEST FROM ROAD



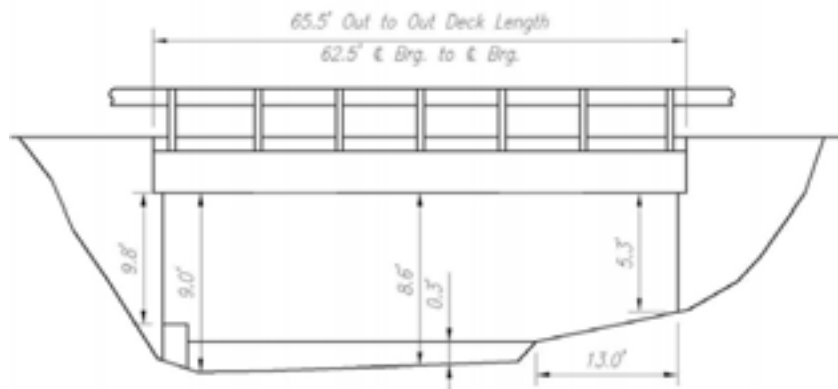
LOOKING EAST FROM ROAD



LOOKING SOUTH THROUGH CHANNEL



BEAMS 5 & 6 EXPOSED AND BROKEN STRANDS



See Additional Photographs

See on Township Map

FLOYD COUNTY - BRIDGE NO. 22-00007
SCTSVILLE-NAVILLE. over LITTLE INDIAN CREEK

STRUCTURE INVENTORY AND APPRAISAL REPORT - 1

NBI Number: 2200007 Facility Carried: SCTSVILLE-NAVILLE.	Bridge Number: 22-00007 Feature(s) Intersected: LITTLE INDIAN CREEK
---	--

IDENTIFICATION

1. State: 185 (INDIANA) 8. NBI Number: 2200007 5. Inventory Route On: 1-4-2- 0-0 2. District: 05 (SEYMOUR) 3. County: 022 (FLOYD) 6. Feat Intersected: LITTLE INDIAN CREEK 7. Facility Carried: SCTSVILLE-NAVILLE. 9. Location: 00.00 INT OF MARY NAVILLE	4. City/Town: 00000 () 98. Border Bridge: 99. Border Bridge Number: 11. Mile Point (over): 0 16. Latitude: 38.38199 17. Longitude: -85.930023
--	--

STRUCTURE DATA

43A. Structure Type - Main Span: 5 (PRESTRESSED CONCRETE) 43B. Structure Type - Main Span - Const. 05 (ADJACENT BOX BEAM) 107. Deck Structure Type: 2 (CONCRETE PRECAST) 108A. Wearing Surface: 6 (BITUMINOUS) 108C. Protection 0 (NONE)	44. Structure Type - Approach: 000 45. Number of Spans - Main: 1 46. Number of Spans - Approach: 0000 108B. Membrane: 8 (UNKNOWN)
--	--

AGE OF SERVICE

27. Year Built: 1977 42A. Type of Service Over: 1 (HIGHWAY) 28A. Lanes on Structure: 2 29. ADT - Over: 468 VPD 114. Future ADT: 690 VPD 109. Average Truck Traffic: 4 %Trucks	106. Reconstructed: 0 42B. Type of Service Under: 5 (WATERWAY) 28B. Lanes Under Structure: 0 30. ADT Year Over: 2016 115. Future ADT Year: 2036 19. Bypass Detour Length: 3 mi.
--	--

GEOMETRIC DATA

48. Maximum Span Length: 62.5 ft. 50A. Sidewalk/Curb Left: 0.0 ft. 51. Bridge Roadway Width: 32.2 ft. 32. Approach Roadway Width: 20 ft. 34. Skew: 28 Degree(s) 10. Defense Vertical Clearance: 99.99 47. Total Horiz. Clearance: 32.2 ft. 55A. Min Latr. Cl. Right - Code: N 55B. Lateral Right: 0 ft.	49. Structure Length: 65.5 ft. 50B. Sidewalk/Curb Right: 0.0 ft. 52. Deck Width (O-O) 32.4 ft. 33. Bridge Median: 0 (NO MEDIAN) 35. Structure Flared: 0 (NO FLARE) 53. Vertical Clearance/Deck: 99.99 ft. 54A. Min Vert Clear Code: N 54B. Underclearance: 0 ft. 56. Lateral Left: 0 ft.
---	--

STRUCTURE INVENTORY AND APPRAISAL REPORT - 2

NBI Number: 2200007
 Facility Carried: SCTSVILLE-NAVILLE.

Bridge Number: 22-00007
 Feature(s) Intersected: LITTLE INDIAN CREEK

NAVIGATION

38. Navigational Control: 0	40. Navigational Horizontal Clearance: 0 ft.
39. Navigational Vertical Clearance: 0 ft.	116. Vertical Clearance - Lift Bridge: ft.
111. Pier/Abutment Protection:	

CLASSIFICATION

112. NBIS Bridge Length: Y	12. Base Highway Network: 0
104. Highway System - Over: 0 (NOT ON NHS)	13A. LRS Inventory Route:
26. Func. Class - Over: 08 (RURAL - MINOR COLLECTOR)	13B. LRS Inventory Subroute:
100. Defense Highway Des: 0	101. Parallel Structure Des: N
102. Direction of Traffic: 2 (2-WAY TRAFFIC)	103. Temporary Structure Des:
110. Des. Nat. Network: 0	20. Toll: 3 (ON FREE ROAD-NO TOLL)
21. Maint. Responsibility: 02 (COUNTY HIGHWAY AGENCY)	22. Owner: 02 (COUNTY HIGHWAY AGENCY)
37. Historical Significance: 5 (NOT ELIGIBLE)	

CONDITION

58. Deck:	Material: CONCRETE	Rating:	5
FAIR - SEEPAGE BETWEEN BEAMS			
58.01. Wearing Surface:	Material: BITUMINOUS (5")	Rating:	7
GOOD - EXCESSIVE WEARING SURFACE			
59. Superstructure:	Material: CONCRETE	Rating:	5
FAIR - BM 2 1/16" CRACK LONG. DOWN MIDDLE, BTM 20" LONG FROM W ABUTMENT, 24" SPALL 1 EXP. STRAND RUSTED, BM 6 48" SPALL 2 EXP. STRANDS 1 BROKEN			
60. Substructure:	Material: CONCRETE	Rating:	6
SATIS - HAIRLINE VERTICAL CRACKS, E ABUTMENT 3 VERT HL CRACKS WITH LT. EFFL. UNDER BMS 2,4, AND 6, W ABUTMENT 7 VERT HL CRACKS WITH LT. EFFL. UNDER BMS 2-8			
61. Channel:	Material: NATURAL ROCK BOTTOM	Rating:	6
SATIS - FLOW ALONG E ABUTMENT			
62. Culvert/Ret:	Material: N/A	Rating:	N
N/A			

LOAD RATING AND POSTING

31. Design Load: 0 (UNKNOWN)	63. Oper Rating Method: 3 (LOAD RESISTANCE FACTOR (LRFR))
64. Operating Rating: 43	65. Inv Rating Method: 3 (LOAD AND RESISTANCE FACTOR (LRFR))
66. Inventory Rating: 24	66C. Tons Posted: Tons
66B. Gross Tons or H Rating: 20 Tons	66D. Date Posted/Closed:
41. Open, Posted, or Closed: A (OPEN)	70. Bridge Posting: 5 (EQUAL TO OR ABOVE LEGAL LOADS)

STRUCTURE INVENTORY AND APPRAISAL REPORT - 3

NBI Number: 2200007
Facility Carried: SCTSVILLE-NAVILLE.

Bridge Number: 22-00007
Feature(s) Intersected: LITTLE INDIAN CREEK

APPRAISAL

67.	Structural:	5
68.	Geometry:	6
69.	Underclearance:	N
71.	Waterway Adequacy:	7
36A.	Traffic Safety Features (Bridge Railings):	1 (MEETS ACCEPTABLE STANDARDS)
36B.	Traffic Safety Features (Transitions):	0 (DOES NOT MEET ACCEPTABLE STANDARDS/SAFETY FEATURE IS REQUIRED)
36C.	Traffic Safety Features (Approach Guardrail):	1 (MEETS ACCEPTABLE STANDARDS)
36D.	Traffic Safety Features (Approach Guardrail Ends):	1 (MEETS ACCEPTABLE STANDARDS)
72.	Roadway Alignment:	8 - TANGENT, UPGRADE TO EAST, INT. E. END
	Material:	BITUMINOUS
	Comments:	NUMEROUS LONG. AND TRANS. CRACKS, SOME SEALED
113.	Scour Critical Bridges:	5 (STABLE - WITHIN LIMITS)
	Comments:	

PROPOSED IMPROVEMENTS

75A.	Type of Work:	35 (REHABILITATE BRIDGE DUE TO SUPERSTRUCTURE DETERIORATION.)
75B.	Work Done By:	1 (CONTRACT)
76.	Improvement Length:	66 ft.
94.	Bridge Improvement Costs:	170 x 1000
95.	Roadway Improvement Costs:	184 x 1000
96.	Total Project Cost:	429 x 1000
97.	Year of Cost Estimate:	2020

RECOMMENDED MAINTENANCE

RECOMMEND INSTALLING CURRENT STD. APPR. RAIL W/END TREATMENT AND ALL B.E.M.'S.

INSPECTION DATA

90.	Date:	3/5/2020	91.	Des. Inspection Frequency:	24 Months
92.	Critical Feature Inspection:	A: N	B: N	C: N	
93.	Date:	A:	B:	C:	

Unofficial Sufficiency Rating: 76.6
Unofficial Structural and Functional Classification: 0 (OK)



LOOKING SOUTH FROM ROAD



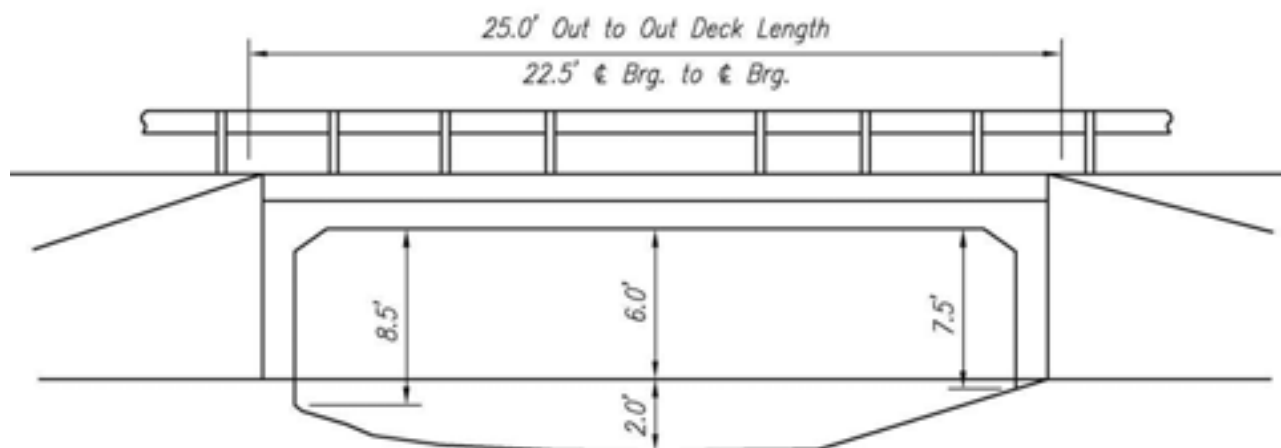
LOOKING NORTH FROM ROAD



LOOKING EAST THROUGH CHANNEL



LOOKING WEST DOWNSTREAM



See on
Township Map

FLOYD COUNTY - BRIDGE NO. 22-00009 B
ATKINS ROAD over BRANCH OF BIG INDIAN CR.

STRUCTURE INVENTORY AND APPRAISAL REPORT - 1

NBI Number: 2200112
 Facility Carried: ATKINS ROAD

Bridge Number: 22-00009 B
 Feature(s) Intersected: BRANCH of BIG INDIAN CR.

IDENTIFICATION

<table border="0" style="width: 100%;"> <tr><td style="width: 10%;">1.</td><td style="width: 30%;">State:</td><td style="width: 30%;">185 (INDIANA)</td></tr> <tr><td>8.</td><td>NBI Number:</td><td>2200112</td></tr> <tr><td>5.</td><td>Inventory Route On:</td><td>1-4-2- 0-0</td></tr> <tr><td>2.</td><td>District:</td><td>05 (SEYMOUR)</td></tr> <tr><td>3.</td><td>County:</td><td>022 (FLOYD)</td></tr> <tr><td>6.</td><td>Feat Intersected:</td><td>BRANCH of BIG INDIAN CR.</td></tr> <tr><td>7.</td><td>Facility Carried:</td><td>ATKINS ROAD</td></tr> <tr><td>9.</td><td>Location:</td><td>00.10 S of RENN ROAD</td></tr> </table>	1.	State:	185 (INDIANA)	8.	NBI Number:	2200112	5.	Inventory Route On:	1-4-2- 0-0	2.	District:	05 (SEYMOUR)	3.	County:	022 (FLOYD)	6.	Feat Intersected:	BRANCH of BIG INDIAN CR.	7.	Facility Carried:	ATKINS ROAD	9.	Location:	00.10 S of RENN ROAD	<table border="0" style="width: 100%;"> <tr><td style="width: 10%;">4.</td><td style="width: 30%;">City/Town:</td><td style="width: 30%;">00000 ()</td></tr> <tr><td>98.</td><td>Border Bridge:</td><td></td></tr> <tr><td>99.</td><td>Border Bridge Number:</td><td></td></tr> <tr><td>11.</td><td>Mile Point (over):</td><td>0</td></tr> <tr><td>16.</td><td>Latitude:</td><td>38.39563</td></tr> <tr><td>17.</td><td>Longitude:</td><td>-85.84545</td></tr> </table>	4.	City/Town:	00000 ()	98.	Border Bridge:		99.	Border Bridge Number:		11.	Mile Point (over):	0	16.	Latitude:	38.39563	17.	Longitude:	-85.84545
1.	State:	185 (INDIANA)																																									
8.	NBI Number:	2200112																																									
5.	Inventory Route On:	1-4-2- 0-0																																									
2.	District:	05 (SEYMOUR)																																									
3.	County:	022 (FLOYD)																																									
6.	Feat Intersected:	BRANCH of BIG INDIAN CR.																																									
7.	Facility Carried:	ATKINS ROAD																																									
9.	Location:	00.10 S of RENN ROAD																																									
4.	City/Town:	00000 ()																																									
98.	Border Bridge:																																										
99.	Border Bridge Number:																																										
11.	Mile Point (over):	0																																									
16.	Latitude:	38.39563																																									
17.	Longitude:	-85.84545																																									

STRUCTURE DATA

<table border="0" style="width: 100%;"> <tr><td style="width: 10%;">43A.</td><td style="width: 30%;">Structure Type - Main Span:</td><td style="width: 30%;">1 (CONCRETE)</td></tr> <tr><td>43B.</td><td>Structure Type - Main Span - Const.</td><td>19 (CULVERT)</td></tr> <tr><td>107.</td><td>Deck Structure Type:</td><td>N (N/A - UNDER FILL)</td></tr> <tr><td>108A.</td><td>Wearing Surface:</td><td>6 (BITUMINOUS)</td></tr> <tr><td>108C.</td><td>Protection</td><td>0 (NONE)</td></tr> </table>	43A.	Structure Type - Main Span:	1 (CONCRETE)	43B.	Structure Type - Main Span - Const.	19 (CULVERT)	107.	Deck Structure Type:	N (N/A - UNDER FILL)	108A.	Wearing Surface:	6 (BITUMINOUS)	108C.	Protection	0 (NONE)	<table border="0" style="width: 100%;"> <tr><td style="width: 10%;">44.</td><td style="width: 30%;">Structure Type - Approach:</td><td style="width: 30%;">000</td></tr> <tr><td>45.</td><td>Number of Spans - Main:</td><td>1</td></tr> <tr><td>46.</td><td>Number of Spans - Approach:</td><td>0</td></tr> <tr><td>108B.</td><td>Membrane:</td><td>0 (NONE)</td></tr> </table>	44.	Structure Type - Approach:	000	45.	Number of Spans - Main:	1	46.	Number of Spans - Approach:	0	108B.	Membrane:	0 (NONE)
43A.	Structure Type - Main Span:	1 (CONCRETE)																										
43B.	Structure Type - Main Span - Const.	19 (CULVERT)																										
107.	Deck Structure Type:	N (N/A - UNDER FILL)																										
108A.	Wearing Surface:	6 (BITUMINOUS)																										
108C.	Protection	0 (NONE)																										
44.	Structure Type - Approach:	000																										
45.	Number of Spans - Main:	1																										
46.	Number of Spans - Approach:	0																										
108B.	Membrane:	0 (NONE)																										

AGE OF SERVICE

<table border="0" style="width: 100%;"> <tr><td style="width: 10%;">27.</td><td style="width: 30%;">Year Built:</td><td style="width: 30%;">2019</td></tr> <tr><td>42A.</td><td>Type of Service Over:</td><td>1 (HIGHWAY)</td></tr> <tr><td>28A.</td><td>Lanes on Structure:</td><td>2</td></tr> <tr><td>29.</td><td>ADT - Over:</td><td>244 VPD</td></tr> <tr><td>114.</td><td>Future ADT:</td><td>359 VPD</td></tr> <tr><td>109.</td><td>Average Truck Traffic:</td><td>4 %Trucks</td></tr> </table>	27.	Year Built:	2019	42A.	Type of Service Over:	1 (HIGHWAY)	28A.	Lanes on Structure:	2	29.	ADT - Over:	244 VPD	114.	Future ADT:	359 VPD	109.	Average Truck Traffic:	4 %Trucks	<table border="0" style="width: 100%;"> <tr><td style="width: 10%;">106.</td><td style="width: 30%;">Reconstructed:</td><td style="width: 30%;">0</td></tr> <tr><td>42B.</td><td>Type of Service Under:</td><td>5 (WATERWAY)</td></tr> <tr><td>28B.</td><td>Lanes Under Structure:</td><td>0</td></tr> <tr><td>30.</td><td>ADT Year Over:</td><td>2016</td></tr> <tr><td>115.</td><td>Future ADT Year:</td><td>2036</td></tr> <tr><td>19.</td><td>Bypass Detour Length:</td><td>3 mi.</td></tr> </table>	106.	Reconstructed:	0	42B.	Type of Service Under:	5 (WATERWAY)	28B.	Lanes Under Structure:	0	30.	ADT Year Over:	2016	115.	Future ADT Year:	2036	19.	Bypass Detour Length:	3 mi.
27.	Year Built:	2019																																			
42A.	Type of Service Over:	1 (HIGHWAY)																																			
28A.	Lanes on Structure:	2																																			
29.	ADT - Over:	244 VPD																																			
114.	Future ADT:	359 VPD																																			
109.	Average Truck Traffic:	4 %Trucks																																			
106.	Reconstructed:	0																																			
42B.	Type of Service Under:	5 (WATERWAY)																																			
28B.	Lanes Under Structure:	0																																			
30.	ADT Year Over:	2016																																			
115.	Future ADT Year:	2036																																			
19.	Bypass Detour Length:	3 mi.																																			

GEOMETRIC DATA

<table border="0" style="width: 100%;"> <tr><td style="width: 10%;">48.</td><td style="width: 30%;">Maximum Span Length:</td><td style="width: 30%;">22.5 ft.</td></tr> <tr><td>50A.</td><td>Sidewalk/Curb Left:</td><td>0.0 ft.</td></tr> <tr><td>51.</td><td>Bridge Roadway Width:</td><td>22.6 ft.</td></tr> <tr><td>32.</td><td>Approach Roadway Width:</td><td>19 ft.</td></tr> <tr><td>34.</td><td>Skew:</td><td>45 Degree(s)</td></tr> <tr><td>10.</td><td>Defense Vertical Clearance:</td><td>99.99</td></tr> <tr><td>47.</td><td>Total Horiz. Clearance:</td><td>22.6 ft.</td></tr> <tr><td>55A.</td><td>Min Latr. Cl. Right - Code:</td><td>N</td></tr> <tr><td>55B.</td><td>Lateral Right:</td><td>0 ft.</td></tr> </table>	48.	Maximum Span Length:	22.5 ft.	50A.	Sidewalk/Curb Left:	0.0 ft.	51.	Bridge Roadway Width:	22.6 ft.	32.	Approach Roadway Width:	19 ft.	34.	Skew:	45 Degree(s)	10.	Defense Vertical Clearance:	99.99	47.	Total Horiz. Clearance:	22.6 ft.	55A.	Min Latr. Cl. Right - Code:	N	55B.	Lateral Right:	0 ft.	<table border="0" style="width: 100%;"> <tr><td style="width: 10%;">49.</td><td style="width: 30%;">Structure Length:</td><td style="width: 30%;">25 ft.</td></tr> <tr><td>50B.</td><td>Sidewalk/Curb Right:</td><td>0.0 ft.</td></tr> <tr><td>52.</td><td>Deck Width (O-O)</td><td>22.6 ft.</td></tr> <tr><td>33.</td><td>Bridge Median:</td><td>0 (NO MEDIAN)</td></tr> <tr><td>35.</td><td>Structure Flared:</td><td>0 (NO FLARE)</td></tr> <tr><td>53.</td><td>Vertical Clearance/Deck:</td><td>99.99 ft.</td></tr> <tr><td>54A.</td><td>Min Vert Clear Code:</td><td>N</td></tr> <tr><td>54B.</td><td>Underclearance:</td><td>0 ft.</td></tr> <tr><td>56.</td><td>Lateral Left:</td><td>0 ft.</td></tr> </table>	49.	Structure Length:	25 ft.	50B.	Sidewalk/Curb Right:	0.0 ft.	52.	Deck Width (O-O)	22.6 ft.	33.	Bridge Median:	0 (NO MEDIAN)	35.	Structure Flared:	0 (NO FLARE)	53.	Vertical Clearance/Deck:	99.99 ft.	54A.	Min Vert Clear Code:	N	54B.	Underclearance:	0 ft.	56.	Lateral Left:	0 ft.
48.	Maximum Span Length:	22.5 ft.																																																					
50A.	Sidewalk/Curb Left:	0.0 ft.																																																					
51.	Bridge Roadway Width:	22.6 ft.																																																					
32.	Approach Roadway Width:	19 ft.																																																					
34.	Skew:	45 Degree(s)																																																					
10.	Defense Vertical Clearance:	99.99																																																					
47.	Total Horiz. Clearance:	22.6 ft.																																																					
55A.	Min Latr. Cl. Right - Code:	N																																																					
55B.	Lateral Right:	0 ft.																																																					
49.	Structure Length:	25 ft.																																																					
50B.	Sidewalk/Curb Right:	0.0 ft.																																																					
52.	Deck Width (O-O)	22.6 ft.																																																					
33.	Bridge Median:	0 (NO MEDIAN)																																																					
35.	Structure Flared:	0 (NO FLARE)																																																					
53.	Vertical Clearance/Deck:	99.99 ft.																																																					
54A.	Min Vert Clear Code:	N																																																					
54B.	Underclearance:	0 ft.																																																					
56.	Lateral Left:	0 ft.																																																					

STRUCTURE INVENTORY AND APPRAISAL REPORT - 2

NBI Number: 2200112
 Facility Carried: ATKINS ROAD

Bridge Number: 22-00009 B
 Feature(s) Intersected: BRANCH of BIG INDIAN CR.

NAVIGATION

38.	Navigational Control:	0	40.	Navigational Horizontal Clearance:	0 ft.
39.	Navigational Vertical Clearance:	0 ft.	116.	Vertical Clearance - Lift Bridge:	ft.
111.	Pier/Abutment Protection:				

CLASSIFICATION

112.	NBIS Bridge Length:	Y	12.	Base Highway Network:	0
104.	Highway System - Over:	0 (NOT ON NHS)	13A.	LRS Inventory Route:	
26.	Func. Class - Over:	09 (RURAL - LOCAL)	13B.	LRS Inventory Subroute:	
100.	Defense Highway Des:	0	101.	Parallel Structure Des:	N
102.	Direction of Traffic:	2 (2-WAY TRAFFIC)	103.	Temporary Structure Des:	
110.	Des. Nat. Network:	0	20.	Toll:	3 (ON FREE ROAD-NO TOLL)
21.	Maint. Responsibility:	02 (COUNTY HIGHWAY AGENCY)	22.	Owner:	02 (COUNTY HIGHWAY AGENCY)
37.	Historical Significance:	5 (NOT ELIGIBLE)			

CONDITION

58.	Deck:	Material: N/A	Rating:	N
	N/A			
58.01.	Wearing Surface:	Material: BITUMINOUS	Rating:	8
	VERY GOOD - NO MAJOR DEFECTS			
59.	Superstructure:	Material: N/A	Rating:	N
	N/A			
60.	Substructure:	Material: N/A	Rating:	N
	N/A			
61.	Channel:	Material: RIPRAP AND NATURAL	Rating:	7
	GOOD - CHANNEL DEEPENS THROUGH STRUCTURE			
62.	Culvert/Ret:	Material: CONCRETE ABUTMENTS	Rating:	8
	VERY GOOD - WATER SEEPAGE BETWEEN PRECAST UNITS			

LOAD RATING AND POSTING

31.	Design Load:	5 (HS 20)	63.	Oper Rating Method:	0 (FIELD EVAL AND ENG JUDGEMENT)
64.	Operating Rating:	45	65.	Inv Rating Method:	0 (FIELD EVAL AND ENG JUDGEMENT)
66.	Inventory Rating:	36	66C.	Tons Posted:	Tons
66B.	Gross Tons or H Rating:	20 Tons	66D.	Date Posted/Closed:	
41.	Open, Posted, or Closed:	A (OPEN)	70.	Bridge Posting:	5 (EQUAL TO OR ABOVE LEGAL LOADS)

STRUCTURE INVENTORY AND APPRAISAL REPORT - 3

NBI Number: 2200112
Facility Carried: ATKINS ROAD

Bridge Number: 22-00009 B
Feature(s) Intersected: BRANCH of BIG INDIAN CR.

APPRAISAL

67.	Structural:	8
68.	Geometry:	4
69.	Underclearance:	N
71.	Waterway Adequacy:	8
36A.	Traffic Safety Features (Bridge Railings):	1 (MEETS ACCEPTABLE STANDARDS)
36B.	Traffic Safety Features (Transitions):	1 (MEETS ACCEPTABLE STANDARDS)
36C.	Traffic Safety Features (Approach Guardrail):	1 (MEETS ACCEPTABLE STANDARDS)
36D.	Traffic Safety Features (Approach Guardrail Ends):	1 (MEETS ACCEPTABLE STANDARDS)
72.	Roadway Alignment:	6 - TANGENT, CURVE AND MODERATE UPGRADE TO SOUTH
	Material:	BITUMINOUS
	Comments:	NEW BITUMINOUS, STONE SHOULDERS
113.	Scour Critical Bridges:	7 (FIXED - NOT SCOUR CRITICAL)
	Comments:	

PROPOSED IMPROVEMENTS

75A.	Type of Work:	(NEW CONSPAN CULVERT)
75B.	Work Done By:	1 (CONTRACT)
76.	Improvement Length:	0 ft.
94.	Bridge Improvement Costs:	0 x 1000
95.	Roadway Improvement Costs:	0 x 1000
96.	Total Project Cost:	0 x 1000
97.	Year of Cost Estimate:	

RECOMMENDED MAINTENANCE

NO NEW RECOMMENDATIONS

INSPECTION DATA

90.	Date:	3/4/2020	91.	Des. Inspection Frequency:	24 Months
92.	Critical Feature Inspection:	A: N	B: N	C: N	
93.	Date:	A:	B:	C:	
	Unofficial Sufficiency Rating:	90.4			
	Unofficial Structural and Functional Classification:	0 (OK)			



LOOKING WEST FROM ROAD



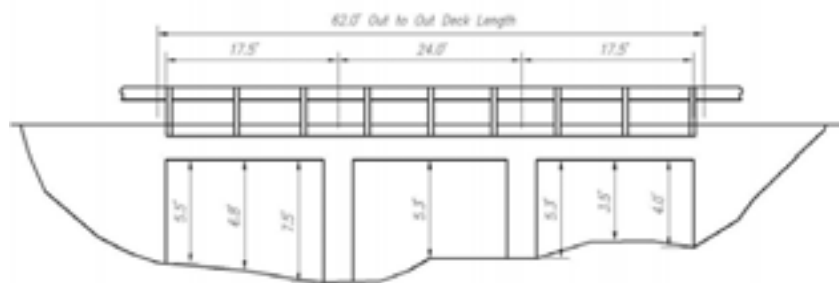
LOOKING EAST FROM ROAD



LOOKING SOUTH THROUGH CHANNEL



LOOKING EAST AT CENTER SPAN AND PIER #3



See on
Township Map

FLOYD COUNTY - BRIDGE NO. 22-00010
BALMER-FENWICK RD over BIG INDIAN CREEK

STRUCTURE INVENTORY AND APPRAISAL REPORT - 1

NBI Number: 2200009 Facility Carried: BALMER-FENWICK Rd	Bridge Number: 22-00010 Feature(s) Intersected: BIG INDIAN Creek
--	---

IDENTIFICATION

1. State: 185 (INDIANA) 8. NBI Number: 2200009 5. Inventory Route On: 1-4-2- 0-0 2. District: 05 (SEYMOUR) 3. County: 022 (FLOYD) 6. Feat Intersected: BIG INDIAN Creek 7. Facility Carried: BALMER-FENWICK Rd 9. Location: 00.10 W of ATKINS Rd	4. City/Town: 00000 () 98. Border Bridge: 99. Border Bridge Number: 11. Mile Point (over): 0 16. Latitude: 38.39687 17. Longitude: -85.847321
---	--

STRUCTURE DATA

43A. Structure Type - Main Span: 2 (CONTINUOUS CONCRETE) 43B. Structure Type - Main Span - Const. 01 (SLAB) 107. Deck Structure Type: 1 (CONCRETE CAST-IN-PLACE) 108A. Wearing Surface: 1 (MONOLITHIC CONCRETE) 108C. Protection 8 (UNKNOWN)	44. Structure Type - Approach: 000 45. Number of Spans - Main: 3 46. Number of Spans - Approach: 0000 108B. Membrane: 0 (NONE)
--	---

AGE OF SERVICE

27. Year Built: 1981 42A. Type of Service Over: 1 (HIGHWAY) 28A. Lanes on Structure: 2 29. ADT - Over: 380 VPD 114. Future ADT: 559 VPD 109. Average Truck Traffic: 4 %Trucks	106. Reconstructed: 2017 42B. Type of Service Under: 5 (WATERWAY) 28B. Lanes Under Structure: 0 30. ADT Year Over: 2016 115. Future ADT Year: 2036 19. Bypass Detour Length: 3 mi.
--	---

GEOMETRIC DATA

48. Maximum Span Length: 24 ft. 50A. Sidewalk/Curb Left: 0.0 ft. 51. Bridge Roadway Width: 30 ft. 32. Approach Roadway Width: 24 ft. 34. Skew: 30 Degree(s) 10. Defense Vertical Clearance: 99.99 47. Total Horiz. Clearance: 30 ft. 55A. Min Latr. Cl. Right - Code: N 55B. Lateral Right: 0 ft.	49. Structure Length: 62 ft. 50B. Sidewalk/Curb Right: 0.0 ft. 52. Deck Width (O-O) 32.5 ft. 33. Bridge Median: 0 (NO MEDIAN) 35. Structure Flared: 0 (NO FLARE) 53. Vertical Clearance/Deck: 99.99 ft. 54A. Min Vert Clear Code: N 54B. Underclearance: 0 ft. 56. Lateral Left: 0 ft.
---	--

STRUCTURE INVENTORY AND APPRAISAL REPORT - 2

NBI Number: 2200009 Facility Carried: BALMER-FENWICK Rd	Bridge Number: 22-00010 Feature(s) Intersected: BIG INDIAN Creek
--	---

NAVIGATION

38. Navigational Control: 0	40. Navigational Horizontal Clearance: 0 ft.
39. Navigational Vertical Clearance: 0 ft.	116. Vertical Clearance - Lift Bridge: ft.
111. Pier/Abutment Protection:	

CLASSIFICATION

112. NBIS Bridge Length: Y	12. Base Highway Network: 0
104. Highway System - Over: 0 (NOT ON NHS)	13A. LRS Inventory Route:
26. Func. Class - Over: 08 (RURAL - MINOR COLLECTOR)	13B. LRS Inventory Subroute:
100. Defense Highway Des: 0	101. Parallel Structure Des: N
102. Direction of Traffic: 2 (2-WAY TRAFFIC)	103. Temporary Structure Des:
110. Des. Nat. Network: 0	20. Toll: 3 (ON FREE ROAD-NO TOLL)
21. Maint. Responsibility: 02 (COUNTY HIGHWAY AGENCY)	22. Owner: 02 (COUNTY HIGHWAY AGENCY)
37. Historical Significance: 5 (NOT ELIGIBLE)	

CONDITION

58. Deck: VERY GOOD - NO MAJOR DEFECTS	Material: CONCRETE SLAB	Rating: 8	
58.01. Wearing Surface: GOOD - NO MAJOR DEFECTS, SURFACE WORN, POPOUTS	Material: INTEGRAL CONCRETE	Rating: 7	
59. Superstructure: VERY GOOD - NO MAJOR DEFECTS	Material: CONCRETE SLAB	Rating: 8	
60. Substructure: GOOD - EROSION AROUND NORTHEAST WING, FLOW ALONG EAST PIER WITH LIGHT SCOUR BUT FOOTING NOT VISIBLE. SPALL AND BEARING OF EAST BENT(ON S. SIDE) VERTICAL HAIRLINE CRACKS IN THE WEST BENT FACE.	Material: CONCRETE	Rating: 7	
61. Channel: FAIR - LOCAL SCOUR AREAS, GRANULAR STREAM BED, BRUSHY STREAM BANKS, GRAVEL BUILD-UP IN CENTER AND WEST SPANS	Material: NATURAL & RIPRAP	Rating: 5	
62. Culvert/Ret: N/A	Material: N/A	Rating: N	

LOAD RATING AND POSTING

31. Design Load: 5 (HS 20)	63. Oper Rating Method: 3 (LOAD RESISTANCE FACTOR (LRFR))
64. Operating Rating: 59	65. Inv Rating Method: 3 (LOAD AND RESISTANCE FACTOR (LRFR))
66. Inventory Rating: 49	66C. Tons Posted: Tons
66B. Gross Tons or H Rating: 27 Tons	66D. Date Posted/Closed:
41. Open, Posted, or Closed: A (OPEN)	70. Bridge Posting: 5 (EQUAL TO OR ABOVE LEGAL LOADS)

STRUCTURE INVENTORY AND APPRAISAL REPORT - 3

NBI Number: 2200009
 Facility Carried: BALMER-FENWICK Rd

Bridge Number: 22-00010
 Feature(s) Intersected: BIG INDIAN Creek

APPRAISAL

67.	Structural:	7
68.	Geometry:	6
69.	Underclearance:	N
71.	Waterway Adequacy:	6
36A.	Traffic Safety Features (Bridge Railings):	0 (DOES NOT MEET ACCEPTABLE STANDARDS/SAFETY FEATURE IS REQUIRED)
36B.	Traffic Safety Features (Transitions):	0 (DOES NOT MEET ACCEPTABLE STANDARDS/SAFETY FEATURE IS REQUIRED)
36C.	Traffic Safety Features (Approach Guardrail):	1 (MEETS ACCEPTABLE STANDARDS)
36D.	Traffic Safety Features (Approach Guardrail Ends):	1 (MEETS ACCEPTABLE STANDARDS)
72.	Roadway Alignment:	8 - TANGENT & LEVEL NEAR BRIDGE, DIP W, INT. & HILL TO E
	Material:	BITUMINOUS
	Comments:	LONG. AND TRANS. CRACKS, SHOULDERS SETTLING AT BRIDGE CORNERS
113.	Scour Critical Bridges:	5 (STABLE - WITHIN LIMITS)
	Comments:	LOCAL SCOUR HOLE WEST SPAN, SCOUR ALONG WEST SIDE OF EAST PIER BUT FOOTING NOT VISIBLE, MINOR DRIFT LODGED ON EAST PIER

PROPOSED IMPROVEMENTS

75A.	Type of Work:	(NO WORK NEEDED.)
75B.	Work Done By:	0
76.	Improvement Length:	0 ft.
94.	Bridge Improvement Costs:	0 x 1000
95.	Roadway Improvement Costs:	0 x 1000
96.	Total Project Cost:	0 x 1000
97.	Year of Cost Estimate:	

RECOMMENDED MAINTENANCE

RECOMMEND INSTALLING CURRENT STD. BRIDGE & APPR. RAIL W/END TREATMENT AND SE B.E.M.'S, AND PLACING RIPRAP ALONG EAST PIER.

INSPECTION DATA

90.	Date:	3/4/2020	91.	Des. Inspection Frequency:	24 Months
92.	Critical Feature Inspection:	A: N	B: N	C: N	
93.	Date:	A:	B:	C:	

Unofficial Sufficiency Rating: 98.9
 Unofficial Structural and Functional Classification: 0 (OK)



LOOKING WEST FROM ROAD



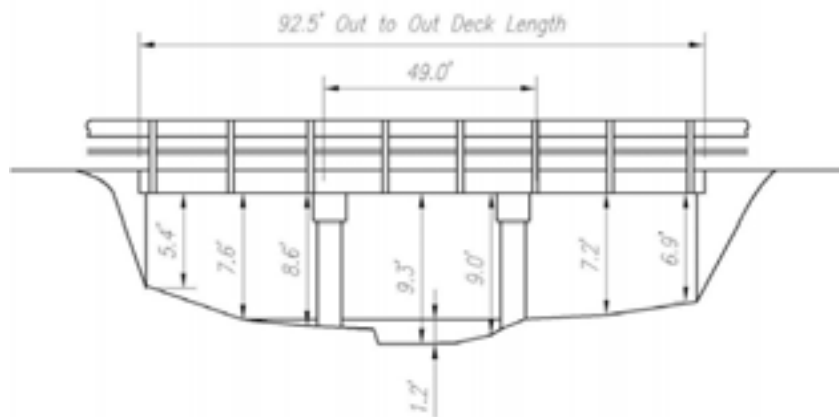
LOOKING EAST FROM ROAD



LOOKING SOUTH THROUGH CHANNEL



WEST SPAN SILT BUILDUP



See Additional Photographs

See on Township Map

FLOYD COUNTY - BRIDGE NO. 22-00011
 BETHEL-FREIBERGER over BIG INDIAN CREEK

STRUCTURE INVENTORY AND APPRAISAL REPORT - 1

NBI Number: 2200010 Facility Carried: BETHEL-FREIBERGER	Bridge Number: 22-00011 Feature(s) Intersected: BIG INDIAN Creek
--	---

IDENTIFICATION

1. State: 185 (INDIANA) 8. NBI Number: 2200010 5. Inventory Route On: 1-4-2- 0-0 2. District: 05 (SEYMOUR) 3. County: 022 (FLOYD) 6. Feat Intersected: BIG INDIAN Creek 7. Facility Carried: BETHEL-FREIBERGER 9. Location: 00.60 E of STARLIGHT Rd	4. City/Town: 00000 () 98. Border Bridge: 99. Border Bridge Number: 11. Mile Point (over): 0 16. Latitude: 38.37768 17. Longitude: -85.887657
--	--

STRUCTURE DATA

43A. Structure Type - Main Span: 5 (PRESTRESSED CONCRETE) 43B. Structure Type - Main Span - Const. 05 (ADJACENT BOX BEAM) 107. Deck Structure Type: 2 (CONCRETE PRECAST) 108A. Wearing Surface: 1 (MONOLITHIC CONCRETE) 108C. Protection 1 (EPOXY COATED REINFORCING)	44. Structure Type - Approach: 000 45. Number of Spans - Main: 3 46. Number of Spans - Approach: 0000 108B. Membrane: 0 (NONE)
---	---

AGE OF SERVICE

27. Year Built: 1997 42A. Type of Service Over: 1 (HIGHWAY) 28A. Lanes on Structure: 2 29. ADT - Over: 421 VPD 114. Future ADT: 620 VPD 109. Average Truck Traffic: 3 %Trucks	106. Reconstructed: 0 42B. Type of Service Under: 5 (WATERWAY) 28B. Lanes Under Structure: 0 30. ADT Year Over: 2016 115. Future ADT Year: 2036 19. Bypass Detour Length: 4 mi.
--	--

GEOMETRIC DATA

48. Maximum Span Length: 49 ft. 50A. Sidewalk/Curb Left: 0.0 ft. 51. Bridge Roadway Width: 28 ft. 32. Approach Roadway Width: 22 ft. 34. Skew: 45 Degree(s) 10. Defense Vertical Clearance: 99.99 47. Total Horiz. Clearance: 28 ft. 55A. Min Latr. Cl. Right - Code: N 55B. Lateral Right: 0 ft.	49. Structure Length: 92.5 ft. 50B. Sidewalk/Curb Right: 0.0 ft. 52. Deck Width (O-O): 28.1 ft. 33. Bridge Median: 0 (NO MEDIAN) 35. Structure Flared: 0 (NO FLARE) 53. Vertical Clearance/Deck: 99.99 ft. 54A. Min Vert Clear Code: N 54B. Underclearance: 0 ft. 56. Lateral Left: 0 ft.
---	---

STRUCTURE INVENTORY AND APPRAISAL REPORT - 2

NBI Number: 2200010
 Facility Carried: BETHEL-FREIBERGER

Bridge Number: 22-00011
 Feature(s) Intersected: BIG INDIAN Creek

NAVIGATION

38. Navigational Control:	0	40. Navigational Horizontal Clearance:	0 ft.
39. Navigational Vertical Clearance:	0 ft.	116. Vertical Clearance - Lift Bridge:	ft.
111. Pier/Abutment Protection:			

CLASSIFICATION

112. NBIS Bridge Length:	Y	12. Base Highway Network:	0
104. Highway System - Over:	0 (NOT ON NHS)	13A. LRS Inventory Route:	
26. Func. Class - Over:	09 (RURAL - LOCAL)	13B. LRS Inventory Subroute:	
100. Defense Highway Des:	0	101. Parallel Structure Des:	N
102. Direction of Traffic:	2 (2-WAY TRAFFIC)	103. Temporary Structure Des:	
110. Des. Nat. Network:	0	20. Toll:	3 (ON FREE ROAD-NO TOLL)
21. Maint. Responsibility:	02 (COUNTY HIGHWAY AGENCY)	22. Owner:	02 (COUNTY HIGHWAY AGENCY)
37. Historical Significance:	5 (NOT ELIGIBLE)		

CONDITION

58. Deck:	Material: CONCRETE	Rating:	8
VERY GOOD - FEW POPOUTS, SPALL AT WEST BRIDGE END JOINT			
58.01. Wearing Surface:	Material: INTEGRAL CONCRETE	Rating:	8
VERY GOOD - FEW POPOUTS			
59. Superstructure:	Material: CONCRETE	Rating:	8
VERY GOOD - CONCRETE SPALL ABOVE EAST PIER ON UPSTREAM END			
60. Substructure:	Material: CONCRETE	Rating:	8
VERY GOOD - HAIRLINE CRACKS, 3 VERT. 1/32" CRACKS IN WEST ABUTMENT, 1 VERT. 1/32" CRACK IN EAST ABUTMENT			
61. Channel:	Material: RIPRAP / NATURAL	Rating:	7
GOOD - MODERATE GRAVEL DEPOSITS, IN THE WEST SPAN			
62. Culvert/Ret:	Material: N/A	Rating:	N
N/A			

LOAD RATING AND POSTING

31. Design Load:	5 (HS 20)	63. Oper Rating Method:	3 (LOAD RESISTANCE FACTOR (LRFR))
64. Operating Rating:	65	65. Inv Rating Method:	3 (LOAD AND RESISTANCE FACTOR (LRFR))
66. Inventory Rating:	48	66C. Tons Posted:	Tons
66B. Gross Tons or H Rating:	41 Tons	66D. Date Posted/Closed:	
41. Open, Posted, or Closed:	A (OPEN)	70. Bridge Posting:	5 (EQUAL TO OR ABOVE LEGAL LOADS)

STRUCTURE INVENTORY AND APPRAISAL REPORT - 3

NBI Number: 2200010
Facility Carried: BETHEL-FREIBERGER

Bridge Number: 22-00011
Feature(s) Intersected: BIG INDIAN Creek

APPRAISAL

67.	Structural:	8
68.	Geometry:	5
69.	Underclearance:	N
71.	Waterway Adequacy:	6
36A.	Traffic Safety Features (Bridge Railings):	1 (MEETS ACCEPTABLE STANDARDS)
36B.	Traffic Safety Features (Transitions):	0 (DOES NOT MEET ACCEPTABLE STANDARDS/SAFETY FEATURE IS REQUIRED)
36C.	Traffic Safety Features (Approach Guardrail):	1 (MEETS ACCEPTABLE STANDARDS)
36D.	Traffic Safety Features (Approach Guardrail Ends):	1 (MEETS ACCEPTABLE STANDARDS)
72.	Roadway Alignment:	6 - BRIDGE ON HUMP, CURVES BOTH WAYS
	Material:	BITUMINOUS
	Comments:	NEW OVERLAY
113.	Scour Critical Bridges:	5 (STABLE - WITHIN LIMITS)
	Comments:	

PROPOSED IMPROVEMENTS

75A.	Type of Work:	(NO WORK NEEDED.)
75B.	Work Done By:	0
76.	Improvement Length:	0 ft.
94.	Bridge Improvement Costs:	0 x 1000
95.	Roadway Improvement Costs:	0 x 1000
96.	Total Project Cost:	0 x 1000
97.	Year of Cost Estimate:	

RECOMMENDED MAINTENANCE

RECOMMEND INSTALLING CURRENT STD. NW & SE B.E.M.'S.

INSPECTION DATA

90.	Date:	3/4/2020	91.	Des. Inspection Frequency:	24 Months
92.	Critical Feature Inspection:	A: N	B: N	C: N	
93.	Date:	A:	B:	C:	
	Unofficial Sufficiency Rating:	98.9			
	Unofficial Structural and Functional Classification:	0 (OK)			



LOOKING EAST FROM ROAD



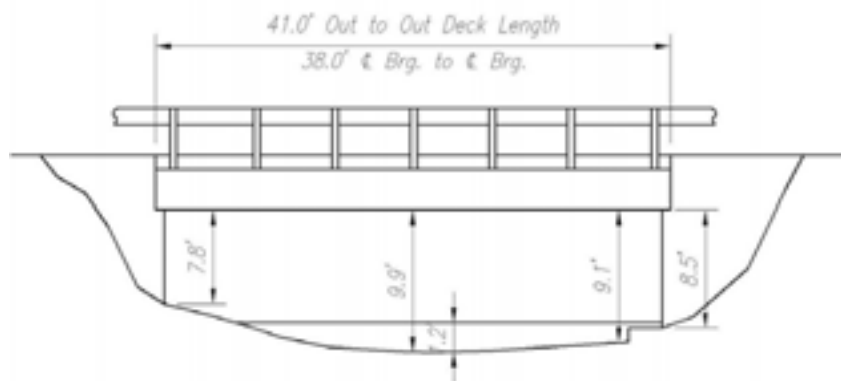
LOOKING WEST FROM ROAD



LOOKING SOUTH THROUGH CHANNEL



EAST ABUTMENT



See on
Township Map

FLOYD COUNTY - BRIDGE NO. 22-00012
BANET RD over LITTLE INDIAN CREEK

STRUCTURE INVENTORY AND APPRAISAL REPORT - 1

NBI Number: 2200011 Facility Carried: BANET Rd	Bridge Number: 22-00012 Feature(s) Intersected: Little INDIAN Creek
---	--

IDENTIFICATION

1. State: 185 (INDIANA) 8. NBI Number: 2200011 5. Inventory Route On: 1-4-2- 0-0 2. District: 05 (SEYMOUR) 3. County: 022 (FLOYD) 6. Feat Intersected: Little INDIAN Creek 7. Facility Carried: BANET Rd 9. Location: 00.80 E of STARLIGHT Rd	4. City/Town: 00000 () 98. Border Bridge: 99. Border Bridge Number: 11. Mile Point (over): 0 16. Latitude: 38.38578 17. Longitude: -85.883583
--	--

STRUCTURE DATA

43A. Structure Type - Main Span: 5 (PRESTRESSED CONCRETE) 43B. Structure Type - Main Span - Const. 05 (ADJACENT BOX BEAM) 107. Deck Structure Type: 2 (CONCRETE PRECAST) 108A. Wearing Surface: 1 (MONOLITHIC CONCRETE) 108C. Protection 8 (UNKNOWN)	44. Structure Type - Approach: 000 45. Number of Spans - Main: 1 46. Number of Spans - Approach: 0000 108B. Membrane: 8 (UNKNOWN)
--	--

AGE OF SERVICE

27. Year Built: 1979 42A. Type of Service Over: 1 (HIGHWAY) 28A. Lanes on Structure: 2 29. ADT - Over: 567 VPD 114. Future ADT: 836 VPD 109. Average Truck Traffic: 4 %Trucks	106. Reconstructed: 0 42B. Type of Service Under: 5 (WATERWAY) 28B. Lanes Under Structure: 0 30. ADT Year Over: 2016 115. Future ADT Year: 2036 19. Bypass Detour Length: 4 mi.
--	--

GEOMETRIC DATA

48. Maximum Span Length: 38 ft. 50A. Sidewalk/Curb Left: 0.0 ft. 51. Bridge Roadway Width: 31.8 ft. 32. Approach Roadway Width: 27 ft. 34. Skew: 35 Degree(s) 10. Defense Vertical Clearance: 99.99 47. Total Horiz. Clearance: 31.8 ft. 55A. Min Latr. Cl. Right - Code: N 55B. Lateral Right: 0 ft.	49. Structure Length: 41 ft. 50B. Sidewalk/Curb Right: 0.0 ft. 52. Deck Width (O-O) 32 ft. 33. Bridge Median: 0 (NO MEDIAN) 35. Structure Flared: 0 (NO FLARE) 53. Vertical Clearance/Deck: 99.99 ft. 54A. Min Vert Clear Code: N 54B. Underclearance: 0 ft. 56. Lateral Left: 0 ft.
---	--

STRUCTURE INVENTORY AND APPRAISAL REPORT - 2

NBI Number: 2200011
 Facility Carried: BANET Rd

Bridge Number: 22-00012
 Feature(s) Intersected: Little INDIAN Creek

NAVIGATION

38.	Navigational Control:	0	40.	Navigational Horizontal Clearance:	0 ft.
39.	Navigational Vertical Clearance:	0 ft.	116.	Vertical Clearance - Lift Bridge:	ft.
111.	Pier/Abutment Protection:				

CLASSIFICATION

112.	NBIS Bridge Length:	Y	12.	Base Highway Network:	0
104.	Highway System - Over:	0 (NOT ON NHS)	13A.	LRS Inventory Route:	
26.	Func. Class - Over:	08 (RURAL - MINOR COLLECTOR)	13B.	LRS Inventory Subroute:	
100.	Defense Highway Des:	0	101.	Parallel Structure Des:	N
102.	Direction of Traffic:	2 (2-WAY TRAFFIC)	103.	Temporary Structure Des:	
110.	Des. Nat. Network:	0	20.	Toll:	3 (ON FREE ROAD-NO TOLL)
21.	Maint. Responsibility:	02 (COUNTY HIGHWAY AGENCY)	22.	Owner:	02 (COUNTY HIGHWAY AGENCY)
37.	Historical Significance:	5 (NOT ELIGIBLE)			

CONDITION

58.	Deck:	Material: Concrete	Rating:	7
	GOOD - NEW CONC. OVERLAY			
58.01.	Wearing Surface:	Material: INTEGRAL CONCRETE	Rating:	7
	GOOD - NEW CONC. OVERLAY			
59.	Superstructure:	Material: CONCRETE	Rating:	7
	GOOD - NO MAJOR DEFECTS			
60.	Substructure:	Material: CONCRETE	Rating:	7
	GOOD - VERTICAL HL CRACKS AT ABUTMENT DRAINS, LIGHT SCALING, TOPS OF FOOTINGS VISIBLE			
61.	Channel:	Material: NATURAL ROCK BOTTOM	Rating:	6
	SATIS - EAST BANK EROSION, TREES UNDERCUT AT NW CORNER, HVY BANK EROSION DOWNSTREAM AT SE			
62.	Culvert/Ret:	Material: N/A	Rating:	N
	N/A			

LOAD RATING AND POSTING

31.	Design Load:	0 (UNKNOWN)	63.	Oper Rating Method:	3 (LOAD RESISTANCE FACTOR (LRFR))
64.	Operating Rating:	62	65.	Inv Rating Method:	3 (LOAD AND RESISTANCE FACTOR (LRFR))
66.	Inventory Rating:	45	66C.	Tons Posted:	Tons
66B.	Gross Tons or H Rating:	38 Tons	66D.	Date Posted/Closed:	
41.	Open, Posted, or Closed:	A (OPEN)	70.	Bridge Posting:	5 (EQUAL TO OR ABOVE LEGAL LOADS)

STRUCTURE INVENTORY AND APPRAISAL REPORT - 3

NBI Number: 2200011
Facility Carried: BANET Rd

Bridge Number: 22-00012
Feature(s) Intersected: Little INDIAN Creek

APPRAISAL

67.	Structural:	7
68.	Geometry:	6
69.	Underclearance:	N
71.	Waterway Adequacy:	6
36A.	Traffic Safety Features (Bridge Railings):	1 (MEETS ACCEPTABLE STANDARDS)
36B.	Traffic Safety Features (Transitions):	1 (MEETS ACCEPTABLE STANDARDS)
36C.	Traffic Safety Features (Approach Guardrail):	1 (MEETS ACCEPTABLE STANDARDS)
36D.	Traffic Safety Features (Approach Guardrail Ends):	1 (MEETS ACCEPTABLE STANDARDS)
72.	Roadway Alignment:	6 - UPGRADE TO HILL & CURVE E, CURVE W.
	Material:	BITUMINOUS
	Comments:	NEW OVERLAY
113.	Scour Critical Bridges:	5 (STABLE - WITHIN LIMITS)
	Comments:	

PROPOSED IMPROVEMENTS

75A.	Type of Work:	(NO WORK NEEDED.)
75B.	Work Done By:	0
76.	Improvement Length:	0 ft.
94.	Bridge Improvement Costs:	0 x 1000
95.	Roadway Improvement Costs:	0 x 1000
96.	Total Project Cost:	0 x 1000
97.	Year of Cost Estimate:	

RECOMMENDED MAINTENANCE

RECOMMEND INSTALLING CURRENT STD. APPR. RAIL W/END TREATMENT AND NW & SE B.E.M.'S

INSPECTION DATA

90.	Date:	3/4/2020	91.	Des. Inspection Frequency:	24 Months
92.	Critical Feature Inspection:	A: N	B: N	C: N	
93.	Date:	A:	B:	C:	
	Unofficial Sufficiency Rating:	99.8			
	Unofficial Structural and Functional Classification:	0 (OK)			



LOOKING EAST FROM ROAD



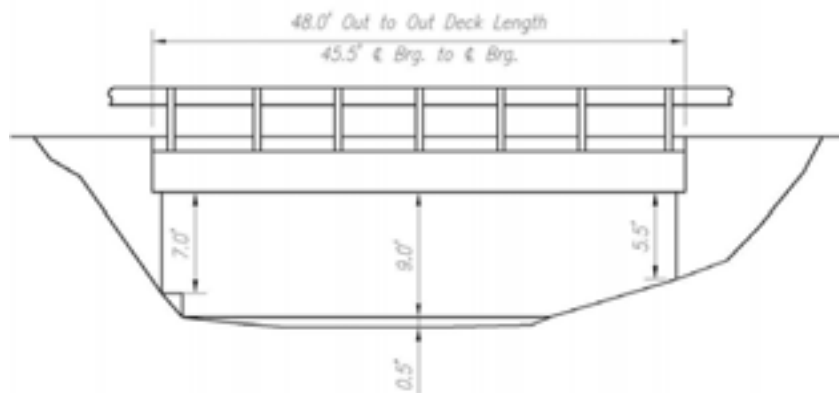
LOOKING WEST FROM ROAD



LOOKING SOUTH THROUGH CHANNEL



EAST ABUTMENT



See Additional Photographs

See on Township Map

FLOYD COUNTY - BRIDGE NO. 22-00013
BANET RD over BIG INDIAN CREEK

STRUCTURE INVENTORY AND APPRAISAL REPORT - 1

NBI Number: 2200012 Facility Carried: BANET RD	Bridge Number: 22-00013 Feature(s) Intersected: BIG INDIAN CREEK
---	---

IDENTIFICATION

1. State: 185 (INDIANA) 8. NBI Number: 2200012 5. Inventory Route On: 1-4-2- 0-0 2. District: 05 (SEYMOUR) 3. County: 022 (FLOYD) 6. Feat Intersected: BIG INDIAN CREEK 7. Facility Carried: BANET RD 9. Location: 01.50 E STARLIGHT RD	4. City/Town: 00000 () 98. Border Bridge: 99. Border Bridge Number: 11. Mile Point (over): 0 16. Latitude: 38.38528 17. Longitude: -85.873817
--	--

STRUCTURE DATA

43A. Structure Type - Main Span: 5 (PRESTRESSED CONCRETE) 43B. Structure Type - Main Span - Const. 05 (ADJACENT BOX BEAM) 107. Deck Structure Type: 2 (CONCRETE PRECAST) 108A. Wearing Surface: 6 (BITUMINOUS) 108C. Protection 0 (NONE)	44. Structure Type - Approach: 000 45. Number of Spans - Main: 1 46. Number of Spans - Approach: 0000 108B. Membrane: 8 (UNKNOWN)
--	--

AGE OF SERVICE

27. Year Built: 1965 42A. Type of Service Over: 1 (HIGHWAY) 28A. Lanes on Structure: 2 29. ADT - Over: 283 VPD 114. Future ADT: 417 VPD 109. Average Truck Traffic: 4 %Trucks	106. Reconstructed: 0 42B. Type of Service Under: 5 (WATERWAY) 28B. Lanes Under Structure: 0 30. ADT Year Over: 2016 115. Future ADT Year: 2036 19. Bypass Detour Length: 4 mi.
--	--

GEOMETRIC DATA

48. Maximum Span Length: 45.5 ft. 50A. Sidewalk/Curb Left: 0.9 ft. 51. Bridge Roadway Width: 22.5 ft. 32. Approach Roadway Width: 20 ft. 34. Skew: 0 Degree(s) 10. Defense Vertical Clearance: 99.99 47. Total Horiz. Clearance: 24 ft. 55A. Min Latr. Cl. Right - Code: N 55B. Lateral Right: 0 ft.	49. Structure Length: 48 ft. 50B. Sidewalk/Curb Right: 0.9 ft. 52. Deck Width (O-O) 24.2 ft. 33. Bridge Median: 0 (NO MEDIAN) 35. Structure Flared: 0 (NO FLARE) 53. Vertical Clearance/Deck: 99.99 ft. 54A. Min Vert Clear Code: N 54B. Underclearance: 0 ft. 56. Lateral Left: 0 ft.
--	--

STRUCTURE INVENTORY AND APPRAISAL REPORT - 2

NBI Number: 2200012
 Facility Carried: BANET RD

Bridge Number: 22-00013
 Feature(s) Intersected: BIG INDIAN CREEK

NAVIGATION

38. Navigational Control: 0	40. Navigational Horizontal Clearance: 0 ft.
39. Navigational Vertical Clearance: 0 ft.	116. Vertical Clearance - Lift Bridge: ft.
111. Pier/Abutment Protection:	

CLASSIFICATION

112. NBIS Bridge Length: Y	12. Base Highway Network: 0
104. Highway System - Over: 0 (NOT ON NHS)	13A. LRS Inventory Route:
26. Func. Class - Over: 08 (RURAL - MINOR COLLECTOR)	13B. LRS Inventory Subroute:
100. Defense Highway Des: 0	101. Parallel Structure Des: N
102. Direction of Traffic: 2 (2-WAY TRAFFIC)	103. Temporary Structure Des:
110. Des. Nat. Network: 0	20. Toll: 3 (ON FREE ROAD-NO TOLL)
21. Maint. Responsibility: 02 (COUNTY HIGHWAY AGENCY)	22. Owner: 02 (COUNTY HIGHWAY AGENCY)
37. Historical Significance: 5 (NOT ELIGIBLE)	

CONDITION

58. Deck: SATIS - COPING SPALLS	Material: CONCRETE BOX BEAM	Rating: 6	
58.01. Wearing Surface: FAIR - CRACKS, EXCESSIVE OVERLAY, NOT FULL WIDTH	Material: BITUMINOUS (8")	Rating: 5	
59. Superstructure: SATIS - LEAKS BETWEEN BEAMS, THIRD BEAM FROM NORTH HAS 2' LONG HAIRLINE CRACK 10' FROM WEST ABUTMENT	Material: CONCRETE	Rating: 6	
60. Substructure: SATIS - HAIRLINE VERTICAL CRACKS, E ABUTMENT TOP FTG. EXP.	Material: CONCRETE	Rating: 6	
61. Channel: SATIS - BANK EROSION, FLOW TOWARDS E. ABUTMENT	Material: NATURAL/ROCK	Rating: 6	
62. Culvert/Ret: N/A	Material: N/A	Rating: N	

LOAD RATING AND POSTING

31. Design Load: 0 (UNKNOWN)	63. Oper Rating Method: 3 (LOAD RESISTANCE FACTOR (LRFR))
64. Operating Rating: 58	65. Inv Rating Method: 3 (LOAD AND RESISTANCE FACTOR (LRFR))
66. Inventory Rating: 33	66C. Tons Posted: Tons
66B. Gross Tons or H Rating: 25 Tons	66D. Date Posted/Closed:
41. Open, Posted, or Closed: A (OPEN)	70. Bridge Posting: 5 (EQUAL TO OR ABOVE LEGAL LOADS)

STRUCTURE INVENTORY AND APPRAISAL REPORT - 3

NBI Number: 2200012
 Facility Carried: BANET RD

Bridge Number: 22-00013
 Feature(s) Intersected: BIG INDIAN CREEK

APPRAISAL

67.	Structural:	6
68.	Geometry:	4
69.	Underclearance:	N
71.	Waterway Adequacy:	7
36A.	Traffic Safety Features (Bridge Railings):	0 (DOES NOT MEET ACCEPTABLE STANDARDS/SAFETY FEATURE IS REQUIRED)
36B.	Traffic Safety Features (Transitions):	0 (DOES NOT MEET ACCEPTABLE STANDARDS/SAFETY FEATURE IS REQUIRED)
36C.	Traffic Safety Features (Approach Guardrail):	0 (DOES NOT MEET ACCEPTABLE STANDARDS/SAFETY FEATURE IS REQUIRED)
36D.	Traffic Safety Features (Approach Guardrail Ends):	0 (DOES NOT MEET ACCEPTABLE STANDARDS/SAFETY FEATURE IS REQUIRED)
72.	Roadway Alignment:	6 - TANGENT, BRIDGE ON HUMP, INT. NW COR.
	Material:	BITUMINOUS
	Comments:	LONG. AND TRANS. CRACKS, PATCHES
113.	Scour Critical Bridges:	5 (STABLE - WITHIN LIMITS)
	Comments:	

PROPOSED IMPROVEMENTS

75A.	Type of Work:	(NO WORK NEEDED.)
75B.	Work Done By:	0
76.	Improvement Length:	0 ft.
94.	Bridge Improvement Costs:	0 x 1000
95.	Roadway Improvement Costs:	0 x 1000
96.	Total Project Cost:	0 x 1000
97.	Year of Cost Estimate:	

RECOMMENDED MAINTENANCE

RECOMMEND INSTALLING CURRENT STD. BRIDGE & APPR. RAIL W/END TREATMENT AND SE B.E.M.'S.

INSPECTION DATA

90.	Date:	3/4/2020	91.	Des. Inspection Frequency:	24 Months
92.	Critical Feature Inspection:	A: N	B: N	C: N	
93.	Date:	A:	B:	C:	

Unofficial Sufficiency Rating: 81.6
 Unofficial Structural and Functional Classification: 0 (OK)



LOOKING SOUTH FROM ROAD



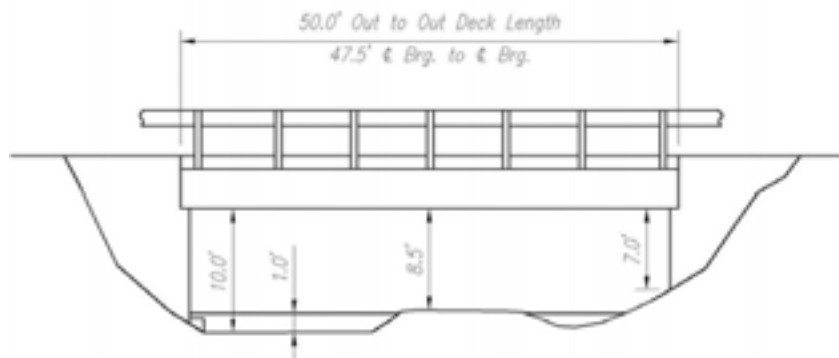
LOOKING NORTH FROM ROAD



LOOKING WEST THROUGH CHANNEL



DOWNSTREAM BEAM CRACKS AND EFFL.



See Additional Photographs

See on Township Map

FLOYD COUNTY - BRIDGE NO. 22-00014
 NAVILLETON RD over LITTLE INDIAN CREEK

STRUCTURE INVENTORY AND APPRAISAL REPORT - 1

NBI Number: 2200013 Facility Carried: NAVILLETON Rd	Bridge Number: 22-00014 Feature(s) Intersected: Little INDIAN Creek
--	--

IDENTIFICATION

1. State: 185 (INDIANA) 8. NBI Number: 2200013 5. Inventory Route On: 1-4-2- 0-0 2. District: 05 (SEYMOUR) 3. County: 022 (FLOYD) 6. Feat Intersected: Little INDIAN Creek 7. Facility Carried: NAVILLETON Rd 9. Location: 00.30 S of REASOR Rd	4. City/Town: 00000 () 98. Border Bridge: 99. Border Bridge Number: 11. Mile Point (over): 0 16. Latitude: 38.37074 17. Longitude: -85.93856
--	---

STRUCTURE DATA

43A. Structure Type - Main Span: 5 (PRESTRESSED CONCRETE) 43B. Structure Type - Main Span - Const. 05 (ADJACENT BOX BEAM) 107. Deck Structure Type: 2 (CONCRETE PRECAST) 108A. Wearing Surface: 6 (BITUMINOUS) 108C. Protection 0 (NONE)	44. Structure Type - Approach: 000 45. Number of Spans - Main: 1 46. Number of Spans - Approach: 0000 108B. Membrane: 8 (UNKNOWN)
--	--

AGE OF SERVICE

27. Year Built: 1974 42A. Type of Service Over: 1 (HIGHWAY) 28A. Lanes on Structure: 2 29. ADT - Over: 1230 VPD 114. Future ADT: 1812 VPD 109. Average Truck Traffic: 6 %Trucks	106. Reconstructed: 0 42B. Type of Service Under: 5 (WATERWAY) 28B. Lanes Under Structure: 0 30. ADT Year Over: 2016 115. Future ADT Year: 2036 19. Bypass Detour Length: 4 mi.
--	--

GEOMETRIC DATA

48. Maximum Span Length: 47.5 ft. 50A. Sidewalk/Curb Left: 0.0 ft. 51. Bridge Roadway Width: 30.9 ft. 32. Approach Roadway Width: 26 ft. 34. Skew: 0 Degree(s) 10. Defense Vertical Clearance: 99.99 47. Total Horiz. Clearance: 31.9 ft. 55A. Min Latr. Cl. Right - Code: N 55B. Lateral Right: 0 ft.	49. Structure Length: 50 ft. 50B. Sidewalk/Curb Right: 0.0 ft. 52. Deck Width (O-O) 32.2 ft. 33. Bridge Median: 0 (NO MEDIAN) 35. Structure Flared: 0 (NO FLARE) 53. Vertical Clearance/Deck: 99.99 ft. 54A. Min Vert Clear Code: N 54B. Underclearance: 0 ft. 56. Lateral Left: 0 ft.
--	--

STRUCTURE INVENTORY AND APPRAISAL REPORT - 2

NBI Number: 2200013 Facility Carried: NAVILLETON Rd	Bridge Number: 22-00014 Feature(s) Intersected: Little INDIAN Creek
--	--

NAVIGATION

38. Navigational Control: 0 39. Navigational Vertical Clearance: 0 ft. 111. Pier/Abutment Protection:		40. Navigational Horizontal Clearance: 0 ft. 116. Vertical Clearance - Lift Bridge: ft.
---	--	--

CLASSIFICATION

112. NBIS Bridge Length: Y 104. Highway System - Over: 0 (NOT ON NHS) 26. Func. Class - Over: 07 (RURAL - MAJOR COLLECTOR) 100. Defense Highway Des: 0 102. Direction of Traffic: 2 (2-WAY TRAFFIC) 110. Des. Nat. Network: 0 21. Maint. Responsibility: 02 (COUNTY HIGHWAY AGENCY) 37. Historical Significance: 5 (NOT ELIGIBLE)		12. Base Highway Network: 0 13A. LRS Inventory Route: 13B. LRS Inventory Subroute: 101. Parallel Structure Des: N 103. Temporary Structure Des: 20. Toll: 3 (ON FREE ROAD-NO TOLL) 22. Owner: 02 (COUNTY HIGHWAY AGENCY)
---	--	--

CONDITION

58. Deck:	Material: CONCRETE BOX BEAM	Rating:	6
SATIS - DEBRIS IN GUTTERS			
58.01. Wearing Surface:	Material: BITUMINOUS (8")	Rating:	7
GOOD - EXCESSIVE OVERLAY			
59. Superstructure:	Material: CONCRETE	Rating:	6
SATIS - LONG. HAIRLINE CRACKS IN BEAM SIDES, SEEPAGE BTW BEAMS			
60. Substructure:	Material: CONCRETE	Rating:	6
SATIS - VERTICAL HAIRLINE CRACKS			
61. Channel:	Material: RIPRAP AND NATURAL	Rating:	6
SATIS - TREES & DENSE VEG. NEAR BRIDGE			
62. Culvert/Ret:	Material: N/A	Rating:	N
N/A			

LOAD RATING AND POSTING

31. Design Load: 5 (HS 20) 64. Operating Rating: 63 66. Inventory Rating: 43 66B. Gross Tons or H Rating: 33 Tons 41. Open, Posted, or Closed: A (OPEN)		63. Oper Rating Method: 3 (LOAD RESISTANCE FACTOR (LRFR)) 65. Inv Rating Method: 3 (LOAD AND RESISTANCE FACTOR (LRFR)) 66C. Tons Posted: Tons 66D. Date Posted/Closed: 70. Bridge Posting: 5 (EQUAL TO OR ABOVE LEGAL LOADS)
---	--	--

STRUCTURE INVENTORY AND APPRAISAL REPORT - 3

NBI Number: 2200013
 Facility Carried: NAVILLETON Rd

Bridge Number: 22-00014
 Feature(s) Intersected: Little INDIAN Creek

APPRAISAL

67.	Structural:	6
68.	Geometry:	5
69.	Underclearance:	N
71.	Waterway Adequacy:	6
36A.	Traffic Safety Features (Bridge Railings):	0 (DOES NOT MEET ACCEPTABLE STANDARDS/SAFETY FEATURE IS REQUIRED)
36B.	Traffic Safety Features (Transitions):	0 (DOES NOT MEET ACCEPTABLE STANDARDS/SAFETY FEATURE IS REQUIRED)
36C.	Traffic Safety Features (Approach Guardrail):	0 (DOES NOT MEET ACCEPTABLE STANDARDS/SAFETY FEATURE IS REQUIRED)
36D.	Traffic Safety Features (Approach Guardrail Ends):	0 (DOES NOT MEET ACCEPTABLE STANDARDS/SAFETY FEATURE IS REQUIRED)
72.	Roadway Alignment:	6 - HILL BOTH WAYS, SHARP CURVE S. END BR.
	Material:	BITUMINOUS
	Comments:	NEW OVERLAY
113.	Scour Critical Bridges:	5 (STABLE - WITHIN LIMITS)
	Comments:	

PROPOSED IMPROVEMENTS

75A.	Type of Work:	(NO WORK NEEDED.)
75B.	Work Done By:	0
76.	Improvement Length:	0 ft.
94.	Bridge Improvement Costs:	0 x 1000
95.	Roadway Improvement Costs:	0 x 1000
96.	Total Project Cost:	0 x 1000
97.	Year of Cost Estimate:	

RECOMMENDED MAINTENANCE

RECOMMEND INSTALLING CURRENT STD. BRIDGE & APPR. RAIL W/END TREATMENT AND NE & SW B.E.M.'S, AND REPAIR SE CORNER GUARDRAIL.

INSPECTION DATA

90.	Date:	3/5/2020	91.	Des. Inspection Frequency:	24 Months
92.	Critical Feature Inspection:	A: N	B: N	C: N	
93.	Date:	A:	B:	C:	

Unofficial Sufficiency Rating: 93.1
 Unofficial Structural and Functional Classification: 0 (OK)



LOOKING NORTH FROM ROAD



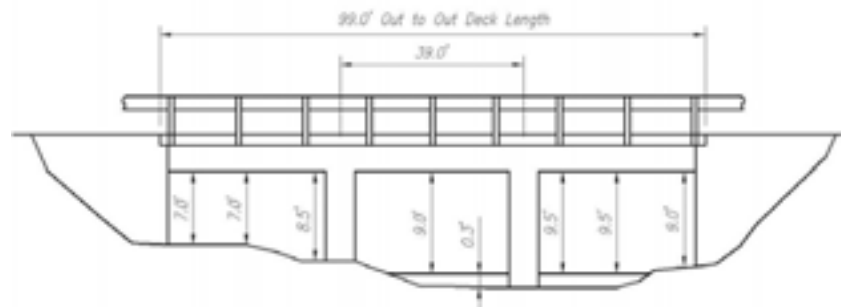
LOOKING SOUTH FROM ROAD



LOOKING EAST THROUGH CHANNEL



SOUTH SPAN WEST COPING SPALLS



See on
Township Map

FLOYD COUNTY - BRIDGE NO. 22-00015
G'TOWN-GREENVILLE over RICHLAND CREEK

STRUCTURE INVENTORY AND APPRAISAL REPORT - 1

NBI Number: 2200014 Facility Carried: G'TOWN-GREENVILLE	Bridge Number: 22-00015 Feature(s) Intersected: RICHLAND CREEK
--	---

IDENTIFICATION

1. State: 185 (INDIANA) 8. NBI Number: 2200014 5. Inventory Route On: 1-4-1- 0-0 2. District: 05 (SEYMOUR) 3. County: 022 (FLOYD) 6. Feat Intersected: RICHLAND CREEK 7. Facility Carried: G'TOWN-GREENVILLE 9. Location: 01.00 S of US 150	4. City/Town: 00000 () 98. Border Bridge: 99. Border Bridge Number: 11. Mile Point (over): 0 16. Latitude: 38.36191 17. Longitude: -86.001778
--	--

STRUCTURE DATA

43A. Structure Type - Main Span: 2 (CONTINUOUS CONCRETE) 43B. Structure Type - Main Span - Const. 01 (SLAB) 107. Deck Structure Type: 1 (CONCRETE CAST-IN-PLACE) 108A. Wearing Surface: 1 (MONOLITHIC CONCRETE) 108C. Protection 8 (UNKNOWN)	44. Structure Type - Approach: 000 45. Number of Spans - Main: 3 46. Number of Spans - Approach: 0000 108B. Membrane: 0 (NONE)
--	---

AGE OF SERVICE

27. Year Built: 1981 42A. Type of Service Over: 1 (HIGHWAY) 28A. Lanes on Structure: 2 29. ADT - Over: 1262 VPD 114. Future ADT: 1860 VPD 109. Average Truck Traffic: 6 %Trucks	106. Reconstructed: 0 42B. Type of Service Under: 5 (WATERWAY) 28B. Lanes Under Structure: 0 30. ADT Year Over: 2016 115. Future ADT Year: 2036 19. Bypass Detour Length: 5 mi.
--	--

GEOMETRIC DATA

48. Maximum Span Length: 39 ft. 50A. Sidewalk/Curb Left: 0.0 ft. 51. Bridge Roadway Width: 32 ft. 32. Approach Roadway Width: 26 ft. 34. Skew: 5 Degree(s) 10. Defense Vertical Clearance: 99.99 47. Total Horiz. Clearance: 32 ft. 55A. Min Latr. Cl. Right - Code: N 55B. Lateral Right: 0 ft.	49. Structure Length: 99 ft. 50B. Sidewalk/Curb Right: 0.0 ft. 52. Deck Width (O-O) 34.5 ft. 33. Bridge Median: 0 (NO MEDIAN) 35. Structure Flared: 0 (NO FLARE) 53. Vertical Clearance/Deck: 99.99 ft. 54A. Min Vert Clear Code: N 54B. Underclearance: 0 ft. 56. Lateral Left: 0 ft.
--	--

STRUCTURE INVENTORY AND APPRAISAL REPORT - 2

NBI Number: 2200014
 Facility Carried: G'TOWN-GREENVILLE

Bridge Number: 22-00015
 Feature(s) Intersected: RICHLAND CREEK

NAVIGATION

38. Navigational Control: 0	40. Navigational Horizontal Clearance: 0 ft.
39. Navigational Vertical Clearance: 0 ft.	116. Vertical Clearance - Lift Bridge: ft.
111. Pier/Abutment Protection:	

CLASSIFICATION

112. NBIS Bridge Length: Y	12. Base Highway Network: 0
104. Highway System - Over: 0 (NOT ON NHS)	13A. LRS Inventory Route:
26. Func. Class - Over: 07 (RURAL - MAJOR COLLECTOR)	13B. LRS Inventory Subroute:
100. Defense Highway Des: 0	101. Parallel Structure Des: N
102. Direction of Traffic: 2 (2-WAY TRAFFIC)	103. Temporary Structure Des:
110. Des. Nat. Network: 0	20. Toll: 3 (ON FREE ROAD-NO TOLL)
21. Maint. Responsibility: 02 (COUNTY HIGHWAY AGENCY)	22. Owner: 02 (COUNTY HIGHWAY AGENCY)
37. Historical Significance: 5 (NOT ELIGIBLE)	

CONDITION

58. Deck: GOOD - CRKS & DELAMS BOTTOM WEST EDGE	Material: CONCRETE SLAB	Rating: 7
58.01. Wearing Surface: GOOD - MANY POPOUTS	Material: CONCRETE	Rating: 7
59. Superstructure: GOOD - LONG. CRACKS ALONG UPSTREAM COPING, SPALL W/ EXP. REIN. AT UPSTREAM COPING SOUTH SPAN	Material: CONCRETE SLAB	Rating: 7
60. Substructure: GOOD - VERTICAL HAIRLINE CRACKS IN WINGS	Material: CONCRETE	Rating: 7
61. Channel: GOOD - TREES ON BANKS	Material: NATURAL/ ROCK	Rating: 7
62. Culvert/Ret: N/A	Material: N/A	Rating: N

LOAD RATING AND POSTING

31. Design Load: 5 (HS 20)	63. Oper Rating Method: 3 (LOAD RESISTANCE FACTOR (LRFR))
64. Operating Rating: 54	65. Inv Rating Method: 3 (LOAD AND RESISTANCE FACTOR (LRFR))
66. Inventory Rating: 45	66C. Tons Posted: Tons
66B. Gross Tons or H Rating: 29 Tons	66D. Date Posted/Closed:
41. Open, Posted, or Closed: A (OPEN)	70. Bridge Posting: 5 (EQUAL TO OR ABOVE LEGAL LOADS)

STRUCTURE INVENTORY AND APPRAISAL REPORT - 3

NBI Number: 2200014
Facility Carried: G'TOWN-GREENVILLE

Bridge Number: 22-00015
Feature(s) Intersected: RICHLAND CREEK

APPRAISAL

67.	Structural:	7
68.	Geometry:	5
69.	Underclearance:	N
71.	Waterway Adequacy:	7
36A.	Traffic Safety Features (Bridge Railings):	0 (DOES NOT MEET ACCEPTABLE STANDARDS/SAFETY FEATURE IS REQUIRED)
36B.	Traffic Safety Features (Transitions):	0 (DOES NOT MEET ACCEPTABLE STANDARDS/SAFETY FEATURE IS REQUIRED)
36C.	Traffic Safety Features (Approach Guardrail):	0 (DOES NOT MEET ACCEPTABLE STANDARDS/SAFETY FEATURE IS REQUIRED)
36D.	Traffic Safety Features (Approach Guardrail Ends):	0 (DOES NOT MEET ACCEPTABLE STANDARDS/SAFETY FEATURE IS REQUIRED)
72.	Roadway Alignment:	6 - CURVE & HILL BOTH WAYS, BRIDGE ON HUMP
	Material:	RCBA
	Comments:	SOME POPOUTS, LIGHT WEAR
113.	Scour Critical Bridges:	5 (STABLE - WITHIN LIMITS)
	Comments:	

PROPOSED IMPROVEMENTS

75A.	Type of Work:	(NO WORK NEEDED.)
75B.	Work Done By:	0
76.	Improvement Length:	0 ft.
94.	Bridge Improvement Costs:	0 x 1000
95.	Roadway Improvement Costs:	0 x 1000
96.	Total Project Cost:	0 x 1000
97.	Year of Cost Estimate:	

RECOMMENDED MAINTENANCE

RECOMMEND INSTALLING CURRENT STD. BRIDGE & APPR. RAIL W/END TREATMENT AND NE & SW B.E.M.'S, AND PATCHING SPALLS IN BOTTOM OF SUPERSTRUCTURE.

INSPECTION DATA

90.	Date:	3/2/2020	91.	Des. Inspection Frequency:	48 Months
92.	Critical Feature Inspection:	A: N	B: N	C: N	
93.	Date:	A:	B:	C:	

Unofficial Sufficiency Rating: 95.5
Unofficial Structural and Functional Classification: 0 (OK)



LOOKING NORTH FROM ROAD



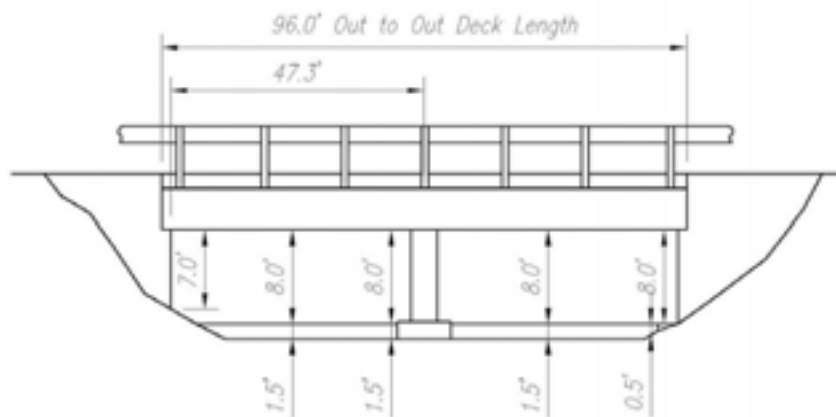
LOOKING SOUTH FROM ROAD



LOOKING WEST THROUGH CHANNEL



TYPICAL HAIRLINE CRACKS AT BEAM ENDS



See Additional Photographs

See on Township Map

FLOYD COUNTY - BRIDGE NO. 22-00016
 STILLER RD over BIG INDIAN CREEK

STRUCTURE INVENTORY AND APPRAISAL REPORT - 1

NBI Number: 2200015
 Facility Carried: STILLER Rd

Bridge Number: 22-00016
 Feature(s) Intersected: BIG INDIAN Creek

IDENTIFICATION

1.	State:	185 (INDIANA)	4.	City/Town:	00000 ()
8.	NBI Number:	2200015			
5.	Inventory Route On:	1-4-2- 0-0	98.	Border Bridge:	
2.	District:	05 (SEYMOUR)	99.	Border Bridge Number:	
3.	County:	022 (FLOYD)			
6.	Feat Intersected:	BIG INDIAN Creek	11.	Mile Point (over):	0
7.	Facility Carried:	STILLER Rd	16.	Latitude:	38.35683
9.	Location:	00.80 N of US 150	17.	Longitude:	-85.91954

STRUCTURE DATA

43A.	Structure Type - Main Span:	5 (PRESTRESSED CONCRETE)	44.	Structure Type - Approach:	000
43B.	Structure Type - Main Span - Const.	05 (ADJACENT BOX BEAM)	45.	Number of Spans - Main:	2
107.	Deck Structure Type:	2 (CONCRETE PRECAST)	46.	Number of Spans - Approach:	0000
108A.	Wearing Surface:	6 (BITUMINOUS)	108B.	Membrane:	8 (UNKNOWN)
108C.	Protection	0 (NONE)			

AGE OF SERVICE

27.	Year Built:	1966	106.	Reconstructed:	0
42A.	Type of Service Over:	1 (HIGHWAY)	42B.	Type of Service Under:	5 (WATERWAY)
28A.	Lanes on Structure:	2	28B.	Lanes Under Structure:	0
29.	ADT - Over:	244 VPD	30.	ADT Year Over:	2016
114.	Future ADT:	359 VPD	115.	Future ADT Year:	2036
109.	Average Truck Traffic:	3 %Trucks	19.	Bypass Detour Length:	3 mi.

GEOMETRIC DATA

48.	Maximum Span Length:	47.3 ft.	49.	Structure Length:	96 ft.
50A.	Sidewalk/Curb Left:	1.0 ft.	50B.	Sidewalk/Curb Right:	1.0 ft.
51.	Bridge Roadway Width:	25.2 ft.	52.	Deck Width (O-O)	27.2 ft.
32.	Approach Roadway Width:	25 ft.	33.	Bridge Median:	0 (NO MEDIAN)
34.	Skew:	0 Degree(s)	35.	Structure Flared:	0 (NO FLARE)
10.	Defense Vertical Clearance:	99.99	53.	Vertical Clearance/Deck:	99.99 ft.
47.	Total Horiz. Clearance:	26.7 ft.	54A.	Min Vert Clear Code:	N
55A.	Min Latr. Cl. Right - Code:	N	54B.	Underclearance:	0 ft.
55B.	Lateral Right:	0 ft.	56.	Lateral Left:	0 ft.

STRUCTURE INVENTORY AND APPRAISAL REPORT - 2

NBI Number: 2200015
 Facility Carried: STILLER Rd

Bridge Number: 22-00016
 Feature(s) Intersected: BIG INDIAN Creek

NAVIGATION

38. Navigational Control:	0	40. Navigational Horizontal Clearance:	0 ft.
39. Navigational Vertical Clearance:	0 ft.	116. Vertical Clearance - Lift Bridge:	ft.
111. Pier/Abutment Protection:			

CLASSIFICATION

112. NBIS Bridge Length:	Y	12. Base Highway Network:	0
104. Highway System - Over:	0 (NOT ON NHS)	13A. LRS Inventory Route:	
26. Func. Class - Over:	09 (RURAL - LOCAL)	13B. LRS Inventory Subroute:	
100. Defense Highway Des:	0	101. Parallel Structure Des:	N
102. Direction of Traffic:	2 (2-WAY TRAFFIC)	103. Temporary Structure Des:	
110. Des. Nat. Network:	0	20. Toll:	3 (ON FREE ROAD-NO TOLL)
21. Maint. Responsibility:	02 (COUNTY HIGHWAY AGENCY)	22. Owner:	02 (COUNTY HIGHWAY AGENCY)
37. Historical Significance:	5 (NOT ELIGIBLE)		

CONDITION

58. Deck:	Material: CONCRETE BOX BEAMS	Rating:	6
SATIS - DEBRIS IN GUTTERS, RAILING DAMAGE			
58.01. Wearing Surface:	Material: BITUMINOUS (5")	Rating:	5
FAIR - CRACKS, PATCHES, LARGE POTHOLES			
59. Superstructure:	Material: CONCRETE BOX BEAMS	Rating:	6
SATIS - HAIRLINE CRACKS BOTTOM OF BEAM ENDS, SEEPAGE BETWEEN BEAMS			
60. Substructure:	Material: CONCRETE	Rating:	7
GOOD - TOP OF FOOTINGS EXPOSED, FOUNDED ON ROCK			
61. Channel:	Material: NATURAL ROCK & GRAVEL BOTTOM	Rating:	6
SATIS - STEEP BANKS			
62. Culvert/Ret:	Material: N/A	Rating:	N
N/A			

LOAD RATING AND POSTING

31. Design Load:	4 (H 20)	63. Oper Rating Method:	3 (LOAD RESISTANCE FACTOR (LRFR))
64. Operating Rating:	46	65. Inv Rating Method:	3 (LOAD AND RESISTANCE FACTOR (LRFR))
66. Inventory Rating:	29	66C. Tons Posted:	Tons
66B. Gross Tons or H Rating:	22 Tons	66D. Date Posted/Closed:	
41. Open, Posted, or Closed:	A (OPEN)	70. Bridge Posting:	5 (EQUAL TO OR ABOVE LEGAL LOADS)

STRUCTURE INVENTORY AND APPRAISAL REPORT - 3

NBI Number: 2200015
Facility Carried: STILLER Rd

Bridge Number: 22-00016
Feature(s) Intersected: BIG INDIAN Creek

APPRAISAL

67.	Structural:	6
68.	Geometry:	5
69.	Underclearance:	N
71.	Waterway Adequacy:	4
36A.	Traffic Safety Features (Bridge Railings):	0 (DOES NOT MEET ACCEPTABLE STANDARDS/SAFETY FEATURE IS REQUIRED)
36B.	Traffic Safety Features (Transitions):	0 (DOES NOT MEET ACCEPTABLE STANDARDS/SAFETY FEATURE IS REQUIRED)
36C.	Traffic Safety Features (Approach Guardrail):	0 (DOES NOT MEET ACCEPTABLE STANDARDS/SAFETY FEATURE IS REQUIRED)
36D.	Traffic Safety Features (Approach Guardrail Ends):	0 (DOES NOT MEET ACCEPTABLE STANDARDS/SAFETY FEATURE IS REQUIRED)
72.	Roadway Alignment:	6 - NEARLY LEVEL, CURVE EACH WAY
	Material:	BITUMINOUS
	Comments:	LONG. CRACKS, CRACKS AT BRIDGE ENDS
113.	Scour Critical Bridges:	5 (STABLE - WITHIN LIMITS)
	Comments:	

PROPOSED IMPROVEMENTS

75A.	Type of Work:	(NO WORK NEEDED.)
75B.	Work Done By:	0
76.	Improvement Length:	0 ft.
94.	Bridge Improvement Costs:	0 x 1000
95.	Roadway Improvement Costs:	0 x 1000
96.	Total Project Cost:	0 x 1000
97.	Year of Cost Estimate:	

RECOMMENDED MAINTENANCE

RECOMMEND INSTALLING CURRENT STD. BRIDGE RAIL W/END TREATMENT AND ALL B.E.M.'S, REMOVING DEBRIS FROM, DECK, WIDENING OVERLAY TO CURBS, REPAIRING NE GUARDRAIL, AND PATCHING DECK.

INSPECTION DATA

90.	Date:	3/5/2020	91.	Des. Inspection Frequency:	24 Months
92.	Critical Feature Inspection:	A: N	B: N	C: N	
93.	Date:	A:	B:	C:	

Unofficial Sufficiency Rating: 87.5
Unofficial Structural and Functional Classification: 0 (OK)



LOOKING WEST FROM ROAD



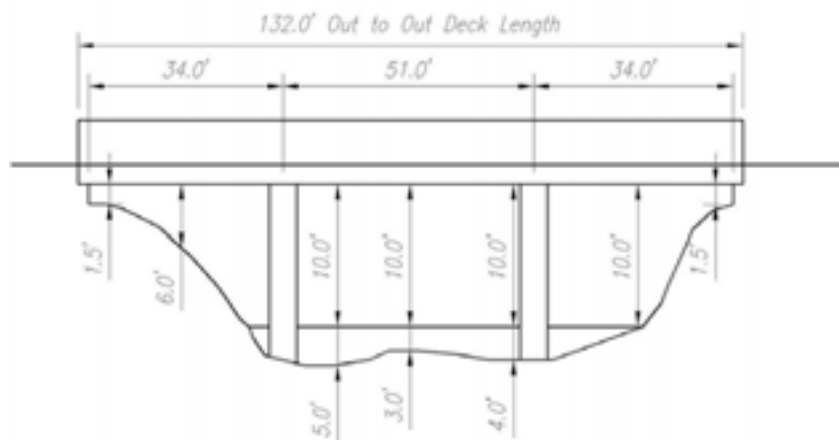
LOOKING EAST FROM ROAD



LOOKING SOUTH THROUGH CHANNEL



EAST ABUTMENT



See Additional Photographs

See on Township Map

FLOYD COUNTY - BRIDGE NO. 22-00017
FEATHERINGILL RD over BRANCH LITTLE INDIAN CR

STRUCTURE INVENTORY AND APPRAISAL REPORT - 1

NBI Number: 2200016 Facility Carried: FEATHERINGILL Rd	Bridge Number: 22-00017 Feature(s) Intersected: Branch Little INDIAN Cr
---	--

IDENTIFICATION

1. State: 185 (INDIANA)	4. City/Town: 00000 ()
8. NBI Number: 2200016	98. Border Bridge:
5. Inventory Route On: 1-4-2- 0-0	99. Border Bridge Number:
2. District: 05 (SEYMOUR)	11. Mile Point (over): 0
3. County: 022 (FLOYD)	16. Latitude: 38.35476
6. Feat Intersected: Branch Little INDIAN Cr	17. Longitude: -85.967705
7. Facility Carried: FEATHERINGILL Rd	
9. Location: 01.00 E of BUTTN'TWN Rd	

STRUCTURE DATA

43A. Structure Type - Main Span: 2 (CONTINUOUS CONCRETE)	44. Structure Type - Approach: 000
43B. Structure Type - Main Span - Const. 01 (SLAB)	45. Number of Spans - Main: 3
107. Deck Structure Type: 1 (CONCRETE CAST-IN-PLACE)	46. Number of Spans - Approach: 0000
108A. Wearing Surface: 1 (MONOLITHIC CONCRETE)	108B. Membrane: 0 (NONE)
108C. Protection 8 (UNKNOWN)	

AGE OF SERVICE

27. Year Built: 1988	106. Reconstructed: 0
42A. Type of Service Over: 1 (HIGHWAY)	42B. Type of Service Under: 5 (WATERWAY)
28A. Lanes on Structure: 2	28B. Lanes Under Structure: 0
29. ADT - Over: 468 VPD	30. ADT Year Over: 2016
114. Future ADT: 690 VPD	115. Future ADT Year: 2036
109. Average Truck Traffic: 3 %Trucks	19. Bypass Detour Length: 4 mi.

GEOMETRIC DATA

48. Maximum Span Length: 51 ft.	49. Structure Length: 132 ft.
50A. Sidewalk/Curb Left: 0.0 ft.	50B. Sidewalk/Curb Right: 0.0 ft.
51. Bridge Roadway Width: 26 ft.	52. Deck Width (O-O): 29 ft.
32. Approach Roadway Width: 21 ft.	33. Bridge Median: 0 (NO MEDIAN)
34. Skew: 25 Degree(s)	35. Structure Flared: 0 (NO FLARE)
10. Defense Vertical Clearance: 99.99	53. Vertical Clearance/Deck: 99.99 ft.
47. Total Horiz. Clearance: 26 ft.	54A. Min Vert Clear Code: N
55A. Min Latr. Cl. Right - Code: N	54B. Underclearance: 0 ft.
55B. Lateral Right: 0 ft.	56. Lateral Left: 0 ft.

STRUCTURE INVENTORY AND APPRAISAL REPORT - 2

NBI Number: 2200016 Facility Carried: FEATHERINGILL Rd	Bridge Number: 22-00017 Feature(s) Intersected: Branch Little INDIAN Cr
---	--

NAVIGATION

38. Navigational Control: 0	40. Navigational Horizontal Clearance: 0 ft.
39. Navigational Vertical Clearance: 0 ft.	116. Vertical Clearance - Lift Bridge: ft.
111. Pier/Abutment Protection:	

CLASSIFICATION

112. NBIS Bridge Length: Y	12. Base Highway Network: 0
104. Highway System - Over: 0 (NOT ON NHS)	13A. LRS Inventory Route:
26. Func. Class - Over: 09 (RURAL - LOCAL)	13B. LRS Inventory Subroute:
100. Defense Highway Des: 0	101. Parallel Structure Des: N
102. Direction of Traffic: 2 (2-WAY TRAFFIC)	103. Temporary Structure Des:
110. Des. Nat. Network: 0	20. Toll: 3 (ON FREE ROAD-NO TOLL)
21. Maint. Responsibility: 02 (COUNTY HIGHWAY AGENCY)	22. Owner: 02 (COUNTY HIGHWAY AGENCY)
37. Historical Significance: 5 (NOT ELIGIBLE)	

CONDITION

58. Deck:	Material: CONCRETE SLAB	Rating:	7
GOOD - CRACKS, LEACHING, DELAMINATION, SPALLS, EXPOSED REINFORCING AROUND DRAINS			
58.01. Wearing Surface:	Material: MONOLITHIC CONCRETE	Rating:	7
GOOD - POPOUTS			
59. Superstructure:	Material: CONCRETE SLAB	Rating:	7
GOOD - CRACKS, LEACHING, DELAMINATION, SPALL, AND EXPOSED REINFORCING AROUND DRAINS			
60. Substructure:	Material: CONCRETE	Rating:	8
VERY GOOD - SPALL ON EAST PIER, LOCAL PIER SCOUR			
61. Channel:	Material: RIPRAP & NATURAL	Rating:	6
SATIS - SILT, DENSE VEGETATION, HIGH BANKS			
62. Culvert/Ret:	Material: N/A	Rating:	N
N/A			

LOAD RATING AND POSTING

31. Design Load: 5 (HS 20)	63. Oper Rating Method: 3 (LOAD RESISTANCE FACTOR (LRFR))
64. Operating Rating: 57	65. Inv Rating Method: 3 (LOAD AND RESISTANCE FACTOR (LRFR))
66. Inventory Rating: 43	66C. Tons Posted: Tons
66B. Gross Tons or H Rating: 34 Tons	66D. Date Posted/Closed:
41. Open, Posted, or Closed: A (OPEN)	70. Bridge Posting: 5 (EQUAL TO OR ABOVE LEGAL LOADS)

STRUCTURE INVENTORY AND APPRAISAL REPORT - 3

NBI Number: 2200016
Facility Carried: FEATHERINGILL Rd

Bridge Number: 22-00017
Feature(s) Intersected: Branch Little INDIAN Cr

APPRAISAL

67.	Structural:	7
68.	Geometry:	5
69.	Underclearance:	N
71.	Waterway Adequacy:	5
36A.	Traffic Safety Features (Bridge Railings):	1 (MEETS ACCEPTABLE STANDARDS)
36B.	Traffic Safety Features (Transitions):	1 (MEETS ACCEPTABLE STANDARDS)
36C.	Traffic Safety Features (Approach Guardrail):	1 (MEETS ACCEPTABLE STANDARDS)
36D.	Traffic Safety Features (Approach Guardrail Ends):	1 (MEETS ACCEPTABLE STANDARDS)
72.	Roadway Alignment:	6 - BRIDGE ON SLIGHT HUMP, CURVE EACH END
	Material:	RCBA
	Comments:	MINOR WEAR
113.	Scour Critical Bridges:	8 (STABLE - EXCELLENT CONDITION)
	Comments:	

PROPOSED IMPROVEMENTS

75A.	Type of Work:	(NO WORK NEEDED.)
75B.	Work Done By:	0
76.	Improvement Length:	0 ft.
94.	Bridge Improvement Costs:	0 x 1000
95.	Roadway Improvement Costs:	0 x 1000
96.	Total Project Cost:	0 x 1000
97.	Year of Cost Estimate:	

RECOMMENDED MAINTENANCE

RECOMMEND PATCHING AROUND THE UNDERSIDE DRAINS.

INSPECTION DATA

90.	Date:	3/4/2020	91.	Des. Inspection Frequency:	48 Months
92.	Critical Feature Inspection:	A: N	B: N	C: N	
93.	Date:	A:	B:	C:	
	Unofficial Sufficiency Rating:	93.4			
	Unofficial Structural and Functional Classification:	0 (OK)			



LOOKING SOUTH FROM ROAD



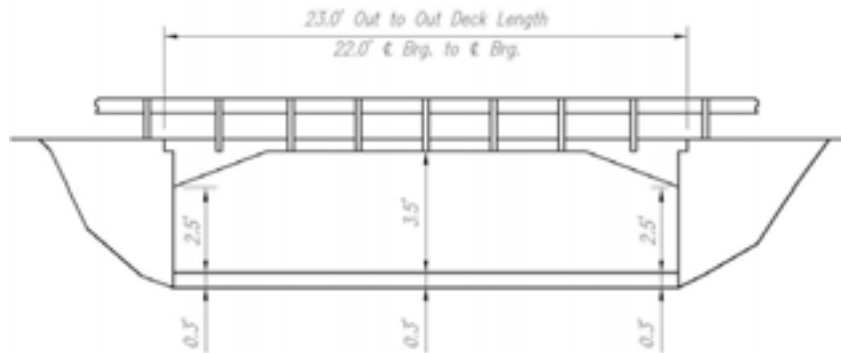
LOOKING NORTH FROM ROAD



LOOKING WEST THROUGH CHANNEL



TYPICAL HAIRLINE CRACKS



See Additional Photographs

See on Township Map

FLOYD COUNTY - BRIDGE NO. 22-00018 B
 BUCK CREEK RD over BUCK CREEK

STRUCTURE INVENTORY AND APPRAISAL REPORT - 1

NBI Number: 2200106
 Facility Carried: BUCK CREEK RD

Bridge Number: 22-00018 B
 Feature(s) Intersected: BUCK CREEK

IDENTIFICATION

1.	State:	185 (INDIANA)	4.	City/Town:	00000 ()
8.	NBI Number:	2200106			
5.	Inventory Route On:	1-4-2- 0-0	98.	Border Bridge:	
2.	District:	05 (SEYMOUR)	99.	Border Bridge Number:	
3.	County:	022 (FLOYD)			
6.	Feat Intersected:	BUCK CREEK	11.	Mile Point (over):	0
7.	Facility Carried:	BUCK CREEK RD	16.	Latitude:	38.34572
9.	Location:	00.30 N of US 150	17.	Longitude:	-85.910805

STRUCTURE DATA

43A.	Structure Type - Main Span:	1 (CONCRETE)	44.	Structure Type - Approach:	000
43B.	Structure Type - Main Span - Const.	19 (CULVERT)	45.	Number of Spans - Main:	1
107.	Deck Structure Type:	N (N/A - UNDER FILL)	46.	Number of Spans - Approach:	0000
108A.	Wearing Surface:	6 (BITUMINOUS)	108B.	Membrane:	N (N/A)
108C.	Protection	N (N/A)			

AGE OF SERVICE

27.	Year Built:	2012	106.	Reconstructed:	0
42A.	Type of Service Over:	1 (HIGHWAY)	42B.	Type of Service Under:	5 (WATERWAY)
28A.	Lanes on Structure:	2	28B.	Lanes Under Structure:	0
29.	ADT - Over:	617 VPD	30.	ADT Year Over:	2016
114.	Future ADT:	617 VPD	115.	Future ADT Year:	2036
109.	Average Truck Traffic:	5 %Trucks	19.	Bypass Detour Length:	4 mi.

GEOMETRIC DATA

48.	Maximum Span Length:	22 ft.	49.	Structure Length:	23 ft.
50A.	Sidewalk/Curb Left:	0.0 ft.	50B.	Sidewalk/Curb Right:	0.0 ft.
51.	Bridge Roadway Width:	27.2 ft.	52.	Deck Width (O-O)	30 ft.
32.	Approach Roadway Width:	24 ft.	33.	Bridge Median:	0 (NO MEDIAN)
34.	Skew:	30 Degree(s)	35.	Structure Flared:	0 (NO FLARE)
10.	Defense Vertical Clearance:	99.99	53.	Vertical Clearance/Deck:	99.99 ft.
47.	Total Horiz. Clearance:	27.2 ft.	54A.	Min Vert Clear Code:	N
55A.	Min Latr. Cl. Right - Code:	N	54B.	Underclearance:	0 ft.
55B.	Lateral Right:	0 ft.	56.	Lateral Left:	0 ft.

STRUCTURE INVENTORY AND APPRAISAL REPORT - 2

NBI Number: 2200106
 Facility Carried: BUCK CREEK RD

Bridge Number: 22-00018 B
 Feature(s) Intersected: BUCK CREEK

NAVIGATION

38. Navigational Control: 0	40. Navigational Horizontal Clearance: 0 ft.
39. Navigational Vertical Clearance: 0 ft.	116. Vertical Clearance - Lift Bridge: ft.
111. Pier/Abutment Protection:	

CLASSIFICATION

112. NBIS Bridge Length: Y	12. Base Highway Network: 0
104. Highway System - Over: 0 (NOT ON NHS)	13A. LRS Inventory Route:
26. Func. Class - Over: 09 (RURAL - LOCAL)	13B. LRS Inventory Subroute:
100. Defense Highway Des: 0	101. Parallel Structure Des: N
102. Direction of Traffic: 2 (2-WAY TRAFFIC)	103. Temporary Structure Des:
110. Des. Nat. Network: 0	20. Toll: 3 (ON FREE ROAD-NO TOLL)
21. Maint. Responsibility: 02 (COUNTY HIGHWAY AGENCY)	22. Owner: 02 (COUNTY HIGHWAY AGENCY)
37. Historical Significance: 5 (NOT ELIGIBLE)	

CONDITION

58. Deck: N/A	Material: N/A	Rating:	N
58.01. Wearing Surface: VERY GOOD - ROUGH AT BRIDGE ENDS	Material: BITUMINOUS (5")	Rating:	8
59. Superstructure: N/A	Material: N/A	Rating:	N
60. Substructure: N/A	Material: N/A	Rating:	N
61. Channel: VERY GOOD - RIPRAP WASHED INTO CHANNEL	Material: NATURAL ROCK BOTTOM, RIPRAP	Rating:	8
62. Culvert/Ret: GOOD - 3 HL CRACKS AT CENTER TYP. FULL LENGTH, SEEPAGE BTN JOINTS, SMALL SPALL	Material: CONCRETE, 3 SIDED STR.	Rating:	7

LOAD RATING AND POSTING

31. Design Load: 5 (HS 20)	63. Oper Rating Method: 0 (FIELD EVAL AND ENG JUDGEMENT)
64. Operating Rating: 36	65. Inv Rating Method: 0 (FIELD EVAL AND ENG JUDGEMENT)
66. Inventory Rating: 36	66C. Tons Posted: Tons
66B. Gross Tons or H Rating: 20 Tons	66D. Date Posted/Closed:
41. Open, Posted, or Closed: A (OPEN)	70. Bridge Posting: 5 (EQUAL TO OR ABOVE LEGAL LOADS)

STRUCTURE INVENTORY AND APPRAISAL REPORT - 3

NBI Number: 2200106
Facility Carried: BUCK CREEK RD

Bridge Number: 22-00018 B
Feature(s) Intersected: BUCK CREEK

APPRAISAL

67.	Structural:	7
68.	Geometry:	5
69.	Underclearance:	N
71.	Waterway Adequacy:	4
36A.	Traffic Safety Features (Bridge Railings):	1 (MEETS ACCEPTABLE STANDARDS)
36B.	Traffic Safety Features (Transitions):	1 (MEETS ACCEPTABLE STANDARDS)
36C.	Traffic Safety Features (Approach Guardrail):	1 (MEETS ACCEPTABLE STANDARDS)
36D.	Traffic Safety Features (Approach Guardrail Ends):	1 (MEETS ACCEPTABLE STANDARDS)
72.	Roadway Alignment:	6 - STRAIGHT, DRIVES BOTH SIDES
	Material:	BITUMINOUS
	Comments:	LONG. AND TRANS. CRACKING
113.	Scour Critical Bridges:	8 (STABLE - EXCELLENT CONDITION)
	Comments:	

PROPOSED IMPROVEMENTS

75A.	Type of Work:	(NO WORK NEEDED.)
75B.	Work Done By:	0
76.	Improvement Length:	0 ft.
94.	Bridge Improvement Costs:	0 x 1000
95.	Roadway Improvement Costs:	0 x 1000
96.	Total Project Cost:	0 x 1000
97.	Year of Cost Estimate:	

RECOMMENDED MAINTENANCE

RECOMMEND INSTALLING CURRENT STD. NE, NW & SW B.E.M.'S.

INSPECTION DATA

90.	Date:	3/4/2020	91.	Des. Inspection Frequency:	24 Months
92.	Critical Feature Inspection:	A: N	B: N	C: N	
93.	Date:	A:	B:	C:	
	Unofficial Sufficiency Rating:	95.3			
	Unofficial Structural and Functional Classification:	0 (OK)			



LOOKING SOUTH FROM ROAD



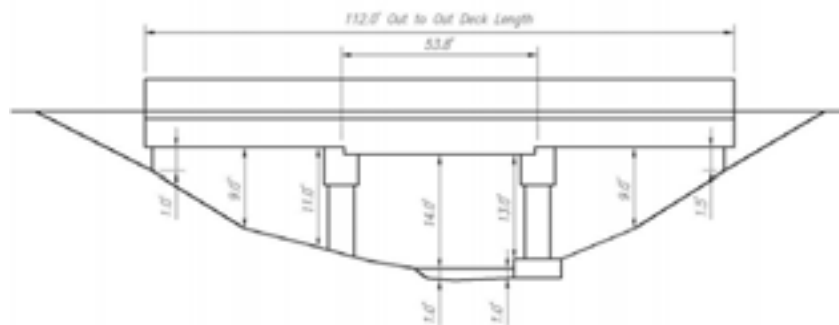
LOOKING NORTH FROM ROAD



LOOKING WEST THROUGH CHANNEL



NORTH PIER BEAM END CRACKS



See Additional Photographs

See on Township Map

FLOYD COUNTY - BRIDGE NO. 22-00019
NAVILLETON RD over BIG INDIAN CREEK

STRUCTURE INVENTORY AND APPRAISAL REPORT - 1

NBI Number: 2200018 Facility Carried: NAVILLETON Rd	Bridge Number: 22-00019 Feature(s) Intersected: BIG INDIAN Creek
--	---

IDENTIFICATION

1. State: 185 (INDIANA) 8. NBI Number: 2200018 5. Inventory Route On: 1-4-2- 0-0 2. District: 05 (SEYMOUR) 3. County: 022 (FLOYD) 6. Feat Intersected: BIG INDIAN Creek 7. Facility Carried: NAVILLETON Rd 9. Location: 00.70 N of US 150	4. City/Town: 00000 () 98. Border Bridge: 99. Border Bridge Number: 11. Mile Point (over): 0 16. Latitude: 38.35993 17. Longitude: -85.932968
--	--

STRUCTURE DATA

43A. Structure Type - Main Span: 5 (PRESTRESSED CONCRETE) 43B. Structure Type - Main Span - Const. 05 (ADJACENT BOX BEAM) 107. Deck Structure Type: 2 (CONCRETE PRECAST) 108A. Wearing Surface: 6 (BITUMINOUS) 108C. Protection 0 (NONE)	44. Structure Type - Approach: 000 45. Number of Spans - Main: 3 46. Number of Spans - Approach: 0000 108B. Membrane: 8 (UNKNOWN)
--	--

AGE OF SERVICE

27. Year Built: 1967 42A. Type of Service Over: 1 (HIGHWAY) 28A. Lanes on Structure: 2 29. ADT - Over: 1553 VPD 114. Future ADT: 2288 VPD 109. Average Truck Traffic: 6 %Trucks	106. Reconstructed: 0 42B. Type of Service Under: 5 (WATERWAY) 28B. Lanes Under Structure: 0 30. ADT Year Over: 2016 115. Future ADT Year: 2036 19. Bypass Detour Length: 4 mi.
--	--

GEOMETRIC DATA

48. Maximum Span Length: 53.8 ft. 50A. Sidewalk/Curb Left: 0.0 ft. 51. Bridge Roadway Width: 30.8 ft. 32. Approach Roadway Width: 24 ft. 34. Skew: 0 Degree(s) 10. Defense Vertical Clearance: 99.99 47. Total Horiz. Clearance: 30.8 ft. 55A. Min Latr. Cl. Right - Code: N 55B. Lateral Right: 0 ft.	49. Structure Length: 112 ft. 50B. Sidewalk/Curb Right: 0.0 ft. 52. Deck Width (O-O) 32.8 ft. 33. Bridge Median: 0 (NO MEDIAN) 35. Structure Flared: 0 (NO FLARE) 53. Vertical Clearance/Deck: 99.99 ft. 54A. Min Vert Clear Code: N 54B. Underclearance: 0 ft. 56. Lateral Left: 0 ft.
--	---

STRUCTURE INVENTORY AND APPRAISAL REPORT - 2

NBI Number: 2200018 Facility Carried: NAVILLETON Rd	Bridge Number: 22-00019 Feature(s) Intersected: BIG INDIAN Creek
--	---

NAVIGATION

38. Navigational Control: 0 39. Navigational Vertical Clearance: 0 ft. 111. Pier/Abutment Protection:		40. Navigational Horizontal Clearance: 0 ft. 116. Vertical Clearance - Lift Bridge: ft.
---	--	--

CLASSIFICATION

112. NBIS Bridge Length: Y 104. Highway System - Over: 0 (NOT ON NHS) 26. Func. Class - Over: 07 (RURAL - MAJOR COLLECTOR) 100. Defense Highway Des: 0 102. Direction of Traffic: 2 (2-WAY TRAFFIC) 110. Des. Nat. Network: 0 21. Maint. Responsibility: 02 (COUNTY HIGHWAY AGENCY) 37. Historical Significance: 5 (NOT ELIGIBLE)		12. Base Highway Network: 0 13A. LRS Inventory Route: 13B. LRS Inventory Subroute: 101. Parallel Structure Des: N 103. Temporary Structure Des: 20. Toll: 3 (ON FREE ROAD-NO TOLL) 22. Owner: 02 (COUNTY HIGHWAY AGENCY)
---	--	--

CONDITION

58. Deck:	Material: CONCRETE BOX BEAMS	Rating:	5
FAIR - BEAM SPALL, BEAMS CRACKED AND EFFL.			
58.01. Wearing Surface:	Material: BITUMINOUS (5")	Rating:	6
SATIS - EXCESSIVE WEARING SURFACE, CRACKS AT PIERS			
59. Superstructure:	Material: CONCRETE BOX BEAMS	Rating:	5
FAIR - HAIRLINE CRACKS NEAR BEAM ENDS, SEEPAGE TYP. ALONG EXT. BEAMS			
60. Substructure:	Material: CONCRETE	Rating:	5
FAIR - NORTH PIER FOOTING EXPOSED, SOUTH PIER UPSTREAM PILE FLAKING, PIER CAP CRACKS AND SPALLS, JOINTS ABOVE PIERS LEAKING			
61. Channel:	Material: RIPRAP / NATURAL	Rating:	6
SATIS - DISPLACED RIPRAP N SPILLSLOPE			
62. Culvert/Ret:	Material: N/A	Rating:	N
N/A			

LOAD RATING AND POSTING

31. Design Load: 5 (HS 20) 64. Operating Rating: 69 66. Inventory Rating: 49 66B. Gross Tons or H Rating: 30 Tons 41. Open, Posted, or Closed: A (OPEN)		63. Oper Rating Method: 3 (LOAD RESISTANCE FACTOR (LRFR)) 65. Inv Rating Method: 3 (LOAD AND RESISTANCE FACTOR (LRFR)) 66C. Tons Posted: Tons 66D. Date Posted/Closed: 70. Bridge Posting: 5 (EQUAL TO OR ABOVE LEGAL LOADS)
---	--	--

STRUCTURE INVENTORY AND APPRAISAL REPORT - 3

NBI Number: 2200018
Facility Carried: NAVILLETON Rd

Bridge Number: 22-00019
Feature(s) Intersected: BIG INDIAN Creek

APPRAISAL

67.	Structural:	5
68.	Geometry:	5
69.	Underclearance:	N
71.	Waterway Adequacy:	8
36A.	Traffic Safety Features (Bridge Railings):	1 (MEETS ACCEPTABLE STANDARDS)
36B.	Traffic Safety Features (Transitions):	0 (DOES NOT MEET ACCEPTABLE STANDARDS/SAFETY FEATURE IS REQUIRED)
36C.	Traffic Safety Features (Approach Guardrail):	0 (DOES NOT MEET ACCEPTABLE STANDARDS/SAFETY FEATURE IS REQUIRED)
36D.	Traffic Safety Features (Approach Guardrail Ends):	0 (DOES NOT MEET ACCEPTABLE STANDARDS/SAFETY FEATURE IS REQUIRED)
72.	Roadway Alignment:	6 - UPGRADE TO HILL S. , CURVE N. END BR.
	Material:	BITUMINOUS
	Comments:	NEW OVERLAY
113.	Scour Critical Bridges:	5 (STABLE - WITHIN LIMITS)
	Comments:	

PROPOSED IMPROVEMENTS

75A.	Type of Work:	(NO WORK NEEDED.)
75B.	Work Done By:	0
76.	Improvement Length:	0 ft.
94.	Bridge Improvement Costs:	0 x 1000
95.	Roadway Improvement Costs:	0 x 1000
96.	Total Project Cost:	0 x 1000
97.	Year of Cost Estimate:	

RECOMMENDED MAINTENANCE

RECOMMEND INSTALLING CURRENT STD. BRIDGE & APPR. RAIL W/END TREATMENT, REPAIR APPROACH GUARDRAIL

INSPECTION DATA

90.	Date:	3/5/2020	91.	Des. Inspection Frequency:	24 Months
92.	Critical Feature Inspection:	A: N	B: N	C: N	
93.	Date:	A:	B:	C:	

Unofficial Sufficiency Rating: 82.0
Unofficial Structural and Functional Classification: 0 (OK)



LOOKING WEST FROM ROAD



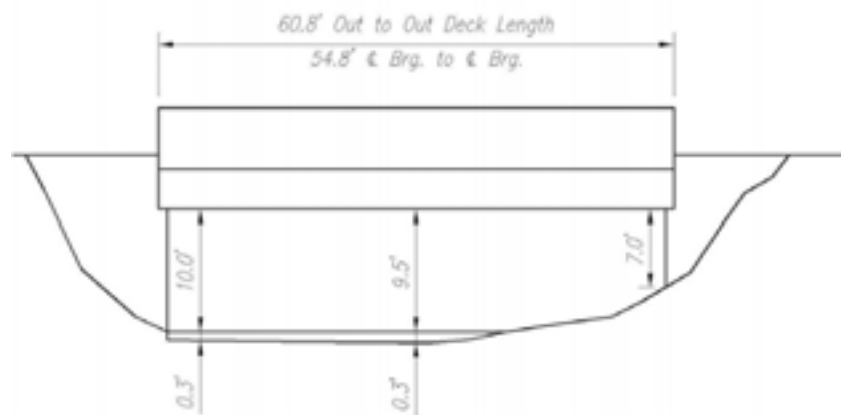
LOOKING EAST FROM ROAD



LOOKING SOUTH THROUGH CHANNEL



WEST ABUTMENT VERTICAL CRACKS



See Additional Photographs

See on Township Map

FLOYD COUNTY - BRIDGE NO. 22-00020
OLD VINCENNES RD over YELLOW FORK

STRUCTURE INVENTORY AND APPRAISAL REPORT - 1

NBI Number: 2200019
 Facility Carried: OLD VINCENNES RD

Bridge Number: 22-00020
 Feature(s) Intersected: YELLOW FORK

IDENTIFICATION

<table border="0" style="width: 100%;"> <tr><td style="width: 10%;">1.</td><td style="width: 30%;">State:</td><td style="width: 30%;">185 (INDIANA)</td></tr> <tr><td>8.</td><td>NBI Number:</td><td>2200019</td></tr> <tr><td>5.</td><td>Inventory Route On:</td><td>1-4-1- 0-0</td></tr> <tr><td>2.</td><td>District:</td><td>05 (SEYMOUR)</td></tr> <tr><td>3.</td><td>County:</td><td>022 (FLOYD)</td></tr> <tr><td>6.</td><td>Feat Intersected:</td><td>YELLOW FORK</td></tr> <tr><td>7.</td><td>Facility Carried:</td><td>OLD VINCENNES RD</td></tr> <tr><td>9.</td><td>Location:</td><td>00.00 INT EDWRDS\VL/GALENA</td></tr> </table>	1.	State:	185 (INDIANA)	8.	NBI Number:	2200019	5.	Inventory Route On:	1-4-1- 0-0	2.	District:	05 (SEYMOUR)	3.	County:	022 (FLOYD)	6.	Feat Intersected:	YELLOW FORK	7.	Facility Carried:	OLD VINCENNES RD	9.	Location:	00.00 INT EDWRDS\VL/GALENA	<table border="0" style="width: 100%;"> <tr><td style="width: 10%;">4.</td><td style="width: 30%;">City/Town:</td><td style="width: 30%;">00000 ()</td></tr> <tr><td>98.</td><td>Border Bridge:</td><td></td></tr> <tr><td>99.</td><td>Border Bridge Number:</td><td></td></tr> <tr><td>11.</td><td>Mile Point (over):</td><td>0</td></tr> <tr><td>16.</td><td>Latitude:</td><td>38.33613</td></tr> <tr><td>17.</td><td>Longitude:</td><td>-85.933746</td></tr> </table>	4.	City/Town:	00000 ()	98.	Border Bridge:		99.	Border Bridge Number:		11.	Mile Point (over):	0	16.	Latitude:	38.33613	17.	Longitude:	-85.933746
1.	State:	185 (INDIANA)																																									
8.	NBI Number:	2200019																																									
5.	Inventory Route On:	1-4-1- 0-0																																									
2.	District:	05 (SEYMOUR)																																									
3.	County:	022 (FLOYD)																																									
6.	Feat Intersected:	YELLOW FORK																																									
7.	Facility Carried:	OLD VINCENNES RD																																									
9.	Location:	00.00 INT EDWRDS\VL/GALENA																																									
4.	City/Town:	00000 ()																																									
98.	Border Bridge:																																										
99.	Border Bridge Number:																																										
11.	Mile Point (over):	0																																									
16.	Latitude:	38.33613																																									
17.	Longitude:	-85.933746																																									

STRUCTURE DATA

<table border="0" style="width: 100%;"> <tr><td style="width: 10%;">43A.</td><td style="width: 30%;">Structure Type - Main Span:</td><td style="width: 30%;">5 (PRESTRESSED CONCRETE)</td></tr> <tr><td>43B.</td><td>Structure Type - Main Span - Const.</td><td>06 (SPREAD BOX BEAM)</td></tr> <tr><td>107.</td><td>Deck Structure Type:</td><td>1 (CONCRETE CAST-IN-PLACE)</td></tr> <tr><td>108A.</td><td>Wearing Surface:</td><td>1 (MONOLITHIC CONCRETE)</td></tr> <tr><td>108C.</td><td>Protection</td><td>0 (NONE)</td></tr> </table>	43A.	Structure Type - Main Span:	5 (PRESTRESSED CONCRETE)	43B.	Structure Type - Main Span - Const.	06 (SPREAD BOX BEAM)	107.	Deck Structure Type:	1 (CONCRETE CAST-IN-PLACE)	108A.	Wearing Surface:	1 (MONOLITHIC CONCRETE)	108C.	Protection	0 (NONE)	<table border="0" style="width: 100%;"> <tr><td style="width: 10%;">44.</td><td style="width: 30%;">Structure Type - Approach:</td><td style="width: 30%;">000</td></tr> <tr><td>45.</td><td>Number of Spans - Main:</td><td>1</td></tr> <tr><td>46.</td><td>Number of Spans - Approach:</td><td>0000</td></tr> <tr><td>108B.</td><td>Membrane:</td><td>8 (UNKNOWN)</td></tr> </table>	44.	Structure Type - Approach:	000	45.	Number of Spans - Main:	1	46.	Number of Spans - Approach:	0000	108B.	Membrane:	8 (UNKNOWN)
43A.	Structure Type - Main Span:	5 (PRESTRESSED CONCRETE)																										
43B.	Structure Type - Main Span - Const.	06 (SPREAD BOX BEAM)																										
107.	Deck Structure Type:	1 (CONCRETE CAST-IN-PLACE)																										
108A.	Wearing Surface:	1 (MONOLITHIC CONCRETE)																										
108C.	Protection	0 (NONE)																										
44.	Structure Type - Approach:	000																										
45.	Number of Spans - Main:	1																										
46.	Number of Spans - Approach:	0000																										
108B.	Membrane:	8 (UNKNOWN)																										

AGE OF SERVICE

<table border="0" style="width: 100%;"> <tr><td style="width: 10%;">27.</td><td style="width: 30%;">Year Built:</td><td style="width: 30%;">2001</td></tr> <tr><td>42A.</td><td>Type of Service Over:</td><td>1 (HIGHWAY)</td></tr> <tr><td>28A.</td><td>Lanes on Structure:</td><td>2</td></tr> <tr><td>29.</td><td>ADT - Over:</td><td>617 VPD</td></tr> <tr><td>114.</td><td>Future ADT:</td><td>908 VPD</td></tr> <tr><td>109.</td><td>Average Truck Traffic:</td><td>5 %Trucks</td></tr> </table>	27.	Year Built:	2001	42A.	Type of Service Over:	1 (HIGHWAY)	28A.	Lanes on Structure:	2	29.	ADT - Over:	617 VPD	114.	Future ADT:	908 VPD	109.	Average Truck Traffic:	5 %Trucks	<table border="0" style="width: 100%;"> <tr><td style="width: 10%;">106.</td><td style="width: 30%;">Reconstructed:</td><td style="width: 30%;">0</td></tr> <tr><td>42B.</td><td>Type of Service Under:</td><td>5 (WATERWAY)</td></tr> <tr><td>28B.</td><td>Lanes Under Structure:</td><td>0</td></tr> <tr><td>30.</td><td>ADT Year Over:</td><td>2016</td></tr> <tr><td>115.</td><td>Future ADT Year:</td><td>2036</td></tr> <tr><td>19.</td><td>Bypass Detour Length:</td><td>6 mi.</td></tr> </table>	106.	Reconstructed:	0	42B.	Type of Service Under:	5 (WATERWAY)	28B.	Lanes Under Structure:	0	30.	ADT Year Over:	2016	115.	Future ADT Year:	2036	19.	Bypass Detour Length:	6 mi.
27.	Year Built:	2001																																			
42A.	Type of Service Over:	1 (HIGHWAY)																																			
28A.	Lanes on Structure:	2																																			
29.	ADT - Over:	617 VPD																																			
114.	Future ADT:	908 VPD																																			
109.	Average Truck Traffic:	5 %Trucks																																			
106.	Reconstructed:	0																																			
42B.	Type of Service Under:	5 (WATERWAY)																																			
28B.	Lanes Under Structure:	0																																			
30.	ADT Year Over:	2016																																			
115.	Future ADT Year:	2036																																			
19.	Bypass Detour Length:	6 mi.																																			

GEOMETRIC DATA

<table border="0" style="width: 100%;"> <tr><td style="width: 10%;">48.</td><td style="width: 30%;">Maximum Span Length:</td><td style="width: 30%;">54.7 ft.</td></tr> <tr><td>50A.</td><td>Sidewalk/Curb Left:</td><td>0.0 ft.</td></tr> <tr><td>51.</td><td>Bridge Roadway Width:</td><td>29 ft.</td></tr> <tr><td>32.</td><td>Approach Roadway Width:</td><td>28 ft.</td></tr> <tr><td>34.</td><td>Skew:</td><td>20 Degree(s)</td></tr> <tr><td>10.</td><td>Defense Vertical Clearance:</td><td>99.99</td></tr> <tr><td>47.</td><td>Total Horiz. Clearance:</td><td>29 ft.</td></tr> <tr><td>55A.</td><td>Min Latr. Cl. Right - Code:</td><td>N</td></tr> <tr><td>55B.</td><td>Lateral Right:</td><td>0 ft.</td></tr> </table>	48.	Maximum Span Length:	54.7 ft.	50A.	Sidewalk/Curb Left:	0.0 ft.	51.	Bridge Roadway Width:	29 ft.	32.	Approach Roadway Width:	28 ft.	34.	Skew:	20 Degree(s)	10.	Defense Vertical Clearance:	99.99	47.	Total Horiz. Clearance:	29 ft.	55A.	Min Latr. Cl. Right - Code:	N	55B.	Lateral Right:	0 ft.	<table border="0" style="width: 100%;"> <tr><td style="width: 10%;">49.</td><td style="width: 30%;">Structure Length:</td><td style="width: 30%;">60.7 ft.</td></tr> <tr><td>50B.</td><td>Sidewalk/Curb Right:</td><td>0.0 ft.</td></tr> <tr><td>52.</td><td>Deck Width (O-O)</td><td>32 ft.</td></tr> <tr><td>33.</td><td>Bridge Median:</td><td>0 (NO MEDIAN)</td></tr> <tr><td>35.</td><td>Structure Flared:</td><td>0 (NO FLARE)</td></tr> <tr><td>53.</td><td>Vertical Clearance/Deck:</td><td>99.99 ft.</td></tr> <tr><td>54A.</td><td>Min Vert Clear Code:</td><td>N</td></tr> <tr><td>54B.</td><td>Underclearance:</td><td>0 ft.</td></tr> <tr><td>56.</td><td>Lateral Left:</td><td>0 ft.</td></tr> </table>	49.	Structure Length:	60.7 ft.	50B.	Sidewalk/Curb Right:	0.0 ft.	52.	Deck Width (O-O)	32 ft.	33.	Bridge Median:	0 (NO MEDIAN)	35.	Structure Flared:	0 (NO FLARE)	53.	Vertical Clearance/Deck:	99.99 ft.	54A.	Min Vert Clear Code:	N	54B.	Underclearance:	0 ft.	56.	Lateral Left:	0 ft.
48.	Maximum Span Length:	54.7 ft.																																																					
50A.	Sidewalk/Curb Left:	0.0 ft.																																																					
51.	Bridge Roadway Width:	29 ft.																																																					
32.	Approach Roadway Width:	28 ft.																																																					
34.	Skew:	20 Degree(s)																																																					
10.	Defense Vertical Clearance:	99.99																																																					
47.	Total Horiz. Clearance:	29 ft.																																																					
55A.	Min Latr. Cl. Right - Code:	N																																																					
55B.	Lateral Right:	0 ft.																																																					
49.	Structure Length:	60.7 ft.																																																					
50B.	Sidewalk/Curb Right:	0.0 ft.																																																					
52.	Deck Width (O-O)	32 ft.																																																					
33.	Bridge Median:	0 (NO MEDIAN)																																																					
35.	Structure Flared:	0 (NO FLARE)																																																					
53.	Vertical Clearance/Deck:	99.99 ft.																																																					
54A.	Min Vert Clear Code:	N																																																					
54B.	Underclearance:	0 ft.																																																					
56.	Lateral Left:	0 ft.																																																					

STRUCTURE INVENTORY AND APPRAISAL REPORT - 2

NBI Number: 2200019
 Facility Carried: OLD VINCENNES RD

Bridge Number: 22-00020
 Feature(s) Intersected: YELLOW FORK

NAVIGATION

38. Navigational Control:	0	40. Navigational Horizontal Clearance:	0 ft.
39. Navigational Vertical Clearance:	0 ft.	116. Vertical Clearance - Lift Bridge:	ft.
111. Pier/Abutment Protection:			

CLASSIFICATION

112. NBIS Bridge Length:	Y	12. Base Highway Network:	0
104. Highway System - Over:	0 (NOT ON NHS)	13A. LRS Inventory Route:	
26. Func. Class - Over:	07 (RURAL - MAJOR COLLECTOR)	13B. LRS Inventory Subroute:	
100. Defense Highway Des:	0	101. Parallel Structure Des:	N
102. Direction of Traffic:	2 (2-WAY TRAFFIC)	103. Temporary Structure Des:	
110. Des. Nat. Network:	0	20. Toll:	3 (ON FREE ROAD-NO TOLL)
21. Maint. Responsibility:	02 (COUNTY HIGHWAY AGENCY)	22. Owner:	02 (COUNTY HIGHWAY AGENCY)
37. Historical Significance:	5 (NOT ELIGIBLE)		

CONDITION

58. Deck:	Material: CONCRETE	Rating: 8
VERY GOOD - NO MAJOR DEFECTS		
58.01. Wearing Surface:	Material: Concrete	Rating: 8
VERY GOOD - DEBRIS ALONG EDGES		
59. Superstructure:	Material: CONCRETE	Rating: 7
GOOD - HORIZONTAL HAIRLINE CRACK ON SIDE OF BEAM 3, 1' GROUTED HAIRLINE CRACKS ON BEAMS 2 AND 4, 1' HAIRLINE CRACKS BEAM 5		
60. Substructure:	Material: CONCRETE	Rating: 8
VERY GOOD - VERTICAL HAIRLINE CRACKS		
61. Channel:	Material: RIPRAP & NATURAL	Rating: 7
GOOD - VERY BRUSHY AROUND BRIDGE, FLOWS TO NE & SW		
62. Culvert/Ret:	Material: N/A	Rating: N
N/A		

LOAD RATING AND POSTING

31. Design Load:	0 (UNKNOWN)	63. Oper Rating Method:	0 (FIELD EVAL AND ENG JUDGEMENT)
64. Operating Rating:	36	65. Inv Rating Method:	0 (FIELD EVAL AND ENG JUDGEMENT)
66. Inventory Rating:	36	66C. Tons Posted:	Tons
66B. Gross Tons or H Rating:	20 Tons	66D. Date Posted/Closed:	
41. Open, Posted, or Closed:	A (OPEN)	70. Bridge Posting:	5 (EQUAL TO OR ABOVE LEGAL LOADS)

STRUCTURE INVENTORY AND APPRAISAL REPORT - 3

NBI Number: 2200019
Facility Carried: OLD VINCENNES RD

Bridge Number: 22-00020
Feature(s) Intersected: YELLOW FORK

APPRAISAL

67.	Structural:	7
68.	Geometry:	5
69.	Underclearance:	N
71.	Waterway Adequacy:	8
36A.	Traffic Safety Features (Bridge Railings):	1 (MEETS ACCEPTABLE STANDARDS)
36B.	Traffic Safety Features (Transitions):	1 (MEETS ACCEPTABLE STANDARDS)
36C.	Traffic Safety Features (Approach Guardrail):	1 (MEETS ACCEPTABLE STANDARDS)
36D.	Traffic Safety Features (Approach Guardrail Ends):	1 (MEETS ACCEPTABLE STANDARDS)
72.	Roadway Alignment:	8 - TANGENT, HILL & INTERSECTION EAST
	Material:	CONCRETE / BITUMINOUS
	Comments:	BUMP AT BRIDGE ENDS, LONG. CRACKS
113.	Scour Critical Bridges:	8 (STABLE - EXCELLENT CONDITION)
	Comments:	

PROPOSED IMPROVEMENTS

75A.	Type of Work:	(NO WORK NEEDED.)
75B.	Work Done By:	0
76.	Improvement Length:	0 ft.
94.	Bridge Improvement Costs:	0 x 1000
95.	Roadway Improvement Costs:	0 x 1000
96.	Total Project Cost:	0 x 1000
97.	Year of Cost Estimate:	

RECOMMENDED MAINTENANCE

NO MAINTENANCE NEEDED.

INSPECTION DATA

90.	Date:	3/4/2020	91.	Des. Inspection Frequency:	48 Months
92.	Critical Feature Inspection:	A: N	B: N	C: N	
93.	Date:	A:	B:	C:	
	Unofficial Sufficiency Rating:	98.7			
	Unofficial Structural and Functional Classification:	0 (OK)			



LOOKING EAST FROM ROAD



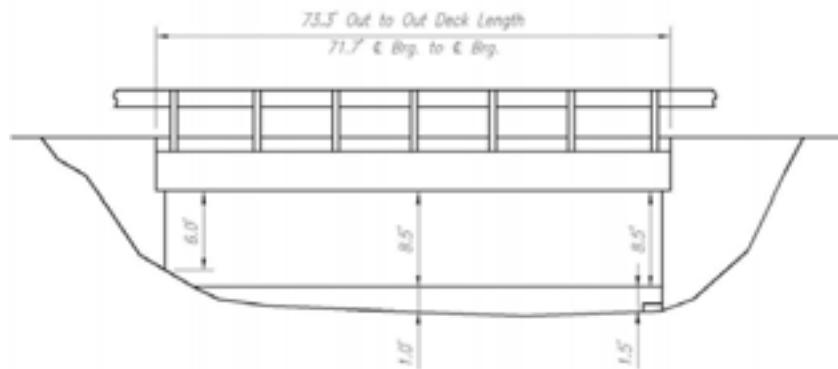
LOOKING WEST FROM ROAD



LOOKING NORTH THROUGH CHANNEL



EAST ABUTMENT SCOUR



See Additional Photographs

See on Township Map

STRUCTURE INVENTORY AND APPRAISAL REPORT - 1

NBI Number: 2200020
 Facility Carried: JOHN PECTOL Rd

Bridge Number: 22-00021
 Feature(s) Intersected: Little INDIAN Creek

IDENTIFICATION

1. State: 185 (INDIANA) 8. NBI Number: 2200020 5. Inventory Route On: 1-4-2- 0-0 2. District: 05 (SEYMOUR) 3. County: 022 (FLOYD) 6. Feat Intersected: Little INDIAN Creek 7. Facility Carried: JOHN PECTOL Rd 9. Location: 00.20 S of Old VINCENNES Rd	4. City/Town: 00000 () 98. Border Bridge: 99. Border Bridge Number: 11. Mile Point (over): 0 16. Latitude: 38.33887 17. Longitude: -85.943932
--	--

STRUCTURE DATA

43A. Structure Type - Main Span: 3 (STEEL) 43B. Structure Type - Main Span - Const. 02 (GIRDER) 107. Deck Structure Type: 1 (CONCRETE CAST-IN-PLACE) 108A. Wearing Surface: 1 (MONOLITHIC CONCRETE) 108C. Protection 0 (NONE)	44. Structure Type - Approach: 000 45. Number of Spans - Main: 1 46. Number of Spans - Approach: 0000 108B. Membrane: 8 (UNKNOWN)
---	--

AGE OF SERVICE

27. Year Built: 1930 42A. Type of Service Over: 1 (HIGHWAY) 28A. Lanes on Structure: 2 29. ADT - Over: 567 VPD 114. Future ADT: 836 VPD 109. Average Truck Traffic: 4 %Trucks	106. Reconstructed: 2008 42B. Type of Service Under: 5 (WATERWAY) 28B. Lanes Under Structure: 0 30. ADT Year Over: 2016 115. Future ADT Year: 2036 19. Bypass Detour Length: 6 mi.
--	---

GEOMETRIC DATA

48. Maximum Span Length: 71.7 ft. 50A. Sidewalk/Curb Left: 0.0 ft. 51. Bridge Roadway Width: 27.7 ft. 32. Approach Roadway Width: 24 ft. 34. Skew: 0 Degree(s) 10. Defense Vertical Clearance: 99.99 47. Total Horiz. Clearance: 24.4 ft. 55A. Min Latr. Cl. Right - Code: N 55B. Lateral Right: 0 ft.	49. Structure Length: 73.3 ft. 50B. Sidewalk/Curb Right: 0.0 ft. 52. Deck Width (O-O) 28 ft. 33. Bridge Median: 0 (NO MEDIAN) 35. Structure Flared: 0 (NO FLARE) 53. Vertical Clearance/Deck: 99.99 ft. 54A. Min Vert Clear Code: N 54B. Underclearance: 0 ft. 56. Lateral Left: 0 ft.
--	--

STRUCTURE INVENTORY AND APPRAISAL REPORT - 2

NBI Number: 2200020 Facility Carried: JOHN PECTOL Rd	Bridge Number: 22-00021 Feature(s) Intersected: Little INDIAN Creek
---	--

NAVIGATION

38. Navigational Control: 0	40. Navigational Horizontal Clearance: 0 ft.
39. Navigational Vertical Clearance: 0 ft.	116. Vertical Clearance - Lift Bridge: ft.
111. Pier/Abutment Protection:	

CLASSIFICATION

112. NBIS Bridge Length: Y	12. Base Highway Network: 0
104. Highway System - Over: 0 (NOT ON NHS)	13A. LRS Inventory Route:
26. Func. Class - Over: 08 (RURAL - MINOR COLLECTOR)	13B. LRS Inventory Subroute:
100. Defense Highway Des: 0	101. Parallel Structure Des: N
102. Direction of Traffic: 2 (2-WAY TRAFFIC)	103. Temporary Structure Des:
110. Des. Nat. Network: 0	20. Toll: 3 (ON FREE ROAD-NO TOLL)
21. Maint. Responsibility: 02 (COUNTY HIGHWAY AGENCY)	22. Owner: 02 (COUNTY HIGHWAY AGENCY)
37. Historical Significance: 5 (NOT ELIGIBLE)	

CONDITION

58. Deck: VERY GOOD - DIP AT BRIDGE JOINTS	Material: CONCRETE	Rating: 8
58.01. Wearing Surface: VERY GOOD - NO MAJOR DEFECTS	Material: INTEGRAL CONCRETE	Rating: 8
59. Superstructure: GOOD - FLAKING AT BEARINGS	Material: STEEL	Rating: 7
60. Substructure: SATIS - HAIRLINE CRACKS, LEACHING, EAST TOP OF FOOTING EXPOSED	Material: CONCRETE	Rating: 6
61. Channel: SATIS - FLOW DIRECTED TOWARD NE CORNER	Material: NATURAL / ROCK	Rating: 6
62. Culvert/Ret: N/A	Material: N/A	Rating: N

LOAD RATING AND POSTING

31. Design Load: 5 (HS 20)	63. Oper Rating Method: 3 (LOAD RESISTANCE FACTOR (LRFR))
64. Operating Rating: 60	65. Inv Rating Method: 3 (LOAD AND RESISTANCE FACTOR (LRFR))
66. Inventory Rating: 60	66C. Tons Posted: Tons
66B. Gross Tons or H Rating: 51 Tons	66D. Date Posted/Closed:
41. Open, Posted, or Closed: A (OPEN)	70. Bridge Posting: 5 (EQUAL TO OR ABOVE LEGAL LOADS)

STRUCTURE INVENTORY AND APPRAISAL REPORT - 3

NBI Number: 2200020
 Facility Carried: JOHN PECTOL Rd

Bridge Number: 22-00021
 Feature(s) Intersected: Little INDIAN Creek

APPRAISAL

67.	Structural:	6
68.	Geometry:	5
69.	Underclearance:	N
71.	Waterway Adequacy:	4
36A.	Traffic Safety Features (Bridge Railings):	1 (MEETS ACCEPTABLE STANDARDS)
36B.	Traffic Safety Features (Transitions):	1 (MEETS ACCEPTABLE STANDARDS)
36C.	Traffic Safety Features (Approach Guardrail):	0 (DOES NOT MEET ACCEPTABLE STANDARDS/SAFETY FEATURE IS REQUIRED)
36D.	Traffic Safety Features (Approach Guardrail Ends):	1 (MEETS ACCEPTABLE STANDARDS)
72.	Roadway Alignment:	6 - LEVEL, CURVE EACH WAY
	Material:	BITUMINOUS
	Comments:	SETTLED AT BRIDGE ENDS
113.	Scour Critical Bridges:	5 (STABLE - WITHIN LIMITS)
	Comments:	

PROPOSED IMPROVEMENTS

75A.	Type of Work:	(NO WORK NEEDED.)
75B.	Work Done By:	0
76.	Improvement Length:	0 ft.
94.	Bridge Improvement Costs:	0 x 1000
95.	Roadway Improvement Costs:	0 x 1000
96.	Total Project Cost:	0 x 1000
97.	Year of Cost Estimate:	

RECOMMENDED MAINTENANCE

RECOMMEND INSTALLING CURRENT STD. APPR. RAIL W/END TREATMENT, AND REPLACING APPROACHES.

INSPECTION DATA

90.	Date:	3/4/2020	91.	Des. Inspection Frequency:	24 Months
92.	Critical Feature Inspection:	A: N	B: N	C: N	
93.	Date:	A: 2/26/2008	B:	C:	
	Unofficial Sufficiency Rating:	95.2			
	Unofficial Structural and Functional Classification:	0 (OK)			



LOOKING SOUTH FROM ROAD



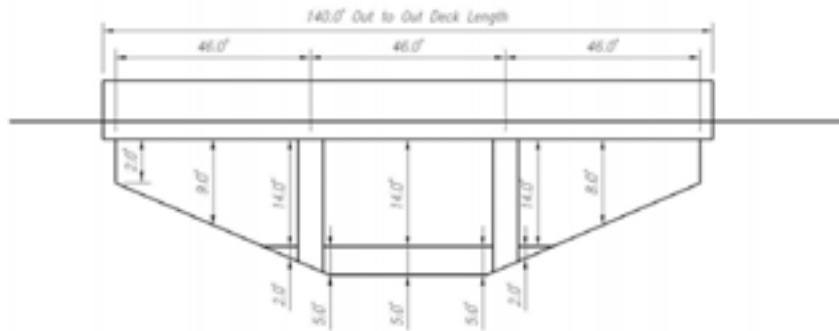
LOOKING NORTH FROM ROAD



LOOKING WEST THROUGH CHANNEL



LOOKING SOUTH AT SOUTH PIER



See on
Township Map

FLOYD COUNTY - BRIDGE NO. 22-00022
HAMBY RD over BIG INDIAN CREEK

STRUCTURE INVENTORY AND APPRAISAL REPORT - 1

NBI Number: 2200021 Facility Carried: HAMBY Rd	Bridge Number: 22-00022 Feature(s) Intersected: BIG INDIAN Creek
---	---

IDENTIFICATION

1. State: 185 (INDIANA)	4. City/Town: 00000 ()
8. NBI Number: 2200021	98. Border Bridge:
5. Inventory Route On: 1-4-2- 0-0	99. Border Bridge Number:
2. District: 05 (SEYMOUR)	11. Mile Point (over): 0
3. County: 022 (FLOYD)	16. Latitude: 38.33012
6. Feat Intersected: BIG INDIAN Creek	17. Longitude: -85.987427
7. Facility Carried: HAMBY Rd	
9. Location: 00.50 S of BUTTONTWN Rd	

STRUCTURE DATA

43A. Structure Type - Main Span: 6 (CONT PRESTR CONCRETE)	44. Structure Type - Approach: 000
43B. Structure Type - Main Span - Const. 02 (GIRDER)	45. Number of Spans - Main: 3
107. Deck Structure Type: 1 (CONCRETE CAST-IN-PLACE)	46. Number of Spans - Approach: 0000
108A. Wearing Surface: 1 (MONOLITHIC CONCRETE)	108B. Membrane: 0 (NONE)
108C. Protection 1 (EPOXY COATED REINFORCING)	

AGE OF SERVICE

27. Year Built: 1996	106. Reconstructed: 0
42A. Type of Service Over: 1 (HIGHWAY)	42B. Type of Service Under: 5 (WATERWAY)
28A. Lanes on Structure: 2	28B. Lanes Under Structure: 0
29. ADT - Over: 444 VPD	30. ADT Year Over: 2016
114. Future ADT: 654 VPD	115. Future ADT Year: 2036
109. Average Truck Traffic: 3 %Trucks	19. Bypass Detour Length: 5 mi.

GEOMETRIC DATA

48. Maximum Span Length: 46 ft.	49. Structure Length: 140 ft.
50A. Sidewalk/Curb Left: 0.0 ft.	50B. Sidewalk/Curb Right: 0.0 ft.
51. Bridge Roadway Width: 26 ft.	52. Deck Width (O-O): 29 ft.
32. Approach Roadway Width: 22 ft.	33. Bridge Median: 0 (NO MEDIAN)
34. Skew: 35 Degree(s)	35. Structure Flared: 0 (NO FLARE)
10. Defense Vertical Clearance: 99.99	53. Vertical Clearance/Deck: 99.99 ft.
47. Total Horiz. Clearance: 26 ft.	54A. Min Vert Clear Code: N
55A. Min Latr. Cl. Right - Code: N	54B. Underclearance: 0 ft.
55B. Lateral Right: 0 ft.	56. Lateral Left: 0 ft.

STRUCTURE INVENTORY AND APPRAISAL REPORT - 2

NBI Number: 2200021
 Facility Carried: HAMBY Rd

Bridge Number: 22-00022
 Feature(s) Intersected: BIG INDIAN Creek

NAVIGATION

38.	Navigational Control:	0	40.	Navigational Horizontal Clearance:	0 ft.
39.	Navigational Vertical Clearance:	0 ft.	116.	Vertical Clearance - Lift Bridge:	ft.
111.	Pier/Abutment Protection:				

CLASSIFICATION

112.	NBIS Bridge Length:	Y	12.	Base Highway Network:	0
104.	Highway System - Over:	0 (NOT ON NHS)	13A.	LRS Inventory Route:	
26.	Func. Class - Over:	09 (RURAL - LOCAL)	13B.	LRS Inventory Subroute:	
100.	Defense Highway Des:	0	101.	Parallel Structure Des:	N
102.	Direction of Traffic:	2 (2-WAY TRAFFIC)	103.	Temporary Structure Des:	
110.	Des. Nat. Network:	0	20.	Toll:	3 (ON FREE ROAD-NO TOLL)
21.	Maint. Responsibility:	02 (COUNTY HIGHWAY AGENCY)	22.	Owner:	02 (COUNTY HIGHWAY AGENCY)
37.	Historical Significance:	5 (NOT ELIGIBLE)			

CONDITION

58.	Deck:	Material: CONCRETE	Rating:	8
	VERY GOOD - SAND & DEBRIS IN GUTTERS			
58.01.	Wearing Surface:	Material: INTEGRAL CONCRETE	Rating:	7
	GOOD - POPOUTS, HAIRLINE CRACKS			
59.	Superstructure:	Material: CONCRETE I-BEAM	Rating:	8
	VERY GOOD - NO MAJOR DEFECTS			
60.	Substructure:	Material: CONCRETE	Rating:	8
	VERY GOOD - NO MAJOR DEFECTS			
61.	Channel:	Material: RIPRAP	Rating:	6
	SATIS - VERY BRUSHY AROUND BRIDGE			
62.	Culvert/Ret:	Material: N/A	Rating:	N
	N/A			

LOAD RATING AND POSTING

31.	Design Load:	5 (HS 20)	63.	Oper Rating Method:	3 (LOAD RESISTANCE FACTOR (LRFR))
64.	Operating Rating:	61	65.	Inv Rating Method:	3 (LOAD AND RESISTANCE FACTOR (LRFR))
66.	Inventory Rating:	31	66C.	Tons Posted:	Tons
66B.	Gross Tons or H Rating:	22 Tons	66D.	Date Posted/Closed:	
41.	Open, Posted, or Closed:	A (OPEN)	70.	Bridge Posting:	5 (EQUAL TO OR ABOVE LEGAL LOADS)

STRUCTURE INVENTORY AND APPRAISAL REPORT - 3

NBI Number: 2200021
Facility Carried: HAMBY Rd

Bridge Number: 22-00022
Feature(s) Intersected: BIG INDIAN Creek

APPRAISAL

67.	Structural:	7
68.	Geometry:	5
69.	Underclearance:	N
71.	Waterway Adequacy:	5
36A.	Traffic Safety Features (Bridge Railings):	1 (MEETS ACCEPTABLE STANDARDS)
36B.	Traffic Safety Features (Transitions):	1 (MEETS ACCEPTABLE STANDARDS)
36C.	Traffic Safety Features (Approach Guardrail):	1 (MEETS ACCEPTABLE STANDARDS)
36D.	Traffic Safety Features (Approach Guardrail Ends):	1 (MEETS ACCEPTABLE STANDARDS)
72.	Roadway Alignment:	6 - BRIDGE ON LONG HUMP, CURVE BOTH WAYS
	Material:	CONCRETE / BITUMINOUS
	Comments:	CONC SLAB SETTLED, BIT. HIGHER
113.	Scour Critical Bridges:	8 (STABLE - EXCELLENT CONDITION)
	Comments:	

PROPOSED IMPROVEMENTS

75A.	Type of Work:	(NO WORK NEEDED.)
75B.	Work Done By:	0
76.	Improvement Length:	0 ft.
94.	Bridge Improvement Costs:	0 x 1000
95.	Roadway Improvement Costs:	0 x 1000
96.	Total Project Cost:	0 x 1000
97.	Year of Cost Estimate:	

RECOMMENDED MAINTENANCE

RECOMMEND INSTALLING CURRENT STD. ALL B.E.M.'S, AND CLEANING DECK.

INSPECTION DATA

90.	Date:	3/4/2020	91.	Des. Inspection Frequency:	48 Months
92.	Critical Feature Inspection:	A: N	B: N	C: N	
93.	Date:	A:	B:	C:	
	Unofficial Sufficiency Rating:	90.4			
	Unofficial Structural and Functional Classification:	0 (OK)			



LOOKING WEST FROM ROAD



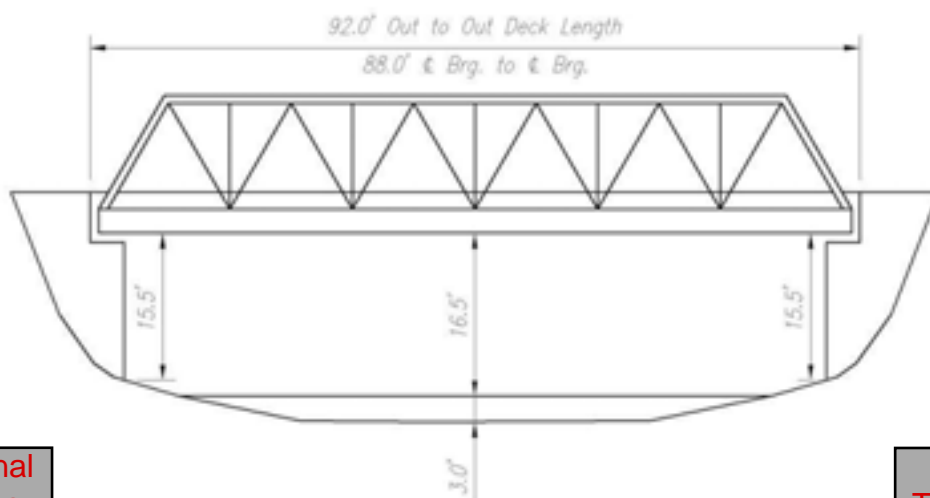
LOOKING EAST FROM ROAD



LOOKING SOUTH THROUGH CHANNEL



LOOKING WEST AT ABUTMENT



See Additional
Photographs

See on
Township Map

FLOYD COUNTY - BRIDGE NO. 22-00023 B
JOHN PECTOL RD over BIG INDIAN CREEK

STRUCTURE INVENTORY AND APPRAISAL REPORT - 1

NBI Number: 2200108 Facility Carried: JOHN PECTOL RD	Bridge Number: 22-00023 B Feature(s) Intersected: BIG INDIAN CREEK
---	---

IDENTIFICATION

1. State: 185 (INDIANA)	4. City/Town: 00000 ()
8. NBI Number: 2200108	98. Border Bridge:
5. Inventory Route On: 1-4-2- 9-0	99. Border Bridge Number:
2. District: 05 (SEYMOUR)	11. Mile Point (over): 0
3. County: 022 (FLOYD)	16. Latitude: 38.33962
6. Feat Intersected: BIG INDIAN CREEK	17. Longitude: -85.983109
7. Facility Carried: JOHN PECTOL RD	
9. Location: 00.00 INT HAMBY/JOHN PECTOL	

STRUCTURE DATA

43A. Structure Type - Main Span: 3 (STEEL)	44. Structure Type - Approach: 000
43B. Structure Type - Main Span - Const. 10 (THRU TRUSS)	45. Number of Spans - Main: 1
107. Deck Structure Type: 1 (CONCRETE CAST-IN-PLACE)	46. Number of Spans - Approach: 0000
108A. Wearing Surface: 1 (MONOLITHIC CONCRETE)	108B. Membrane: 0 (NONE)
108C. Protection 1 (EPOXY COATED REINFORCING)	

AGE OF SERVICE

27. Year Built: 2013	106. Reconstructed: 0
42A. Type of Service Over: 1 (HIGHWAY)	42B. Type of Service Under: 5 (WATERWAY)
28A. Lanes on Structure: 2	28B. Lanes Under Structure: 0
29. ADT - Over: 421 VPD	30. ADT Year Over: 2016
114. Future ADT: 620 VPD	115. Future ADT Year: 2036
109. Average Truck Traffic: 2 %Trucks	19. Bypass Detour Length: 7 mi.

GEOMETRIC DATA

48. Maximum Span Length: 88 ft.	49. Structure Length: 92 ft.
50A. Sidewalk/Curb Left: 0.0 ft.	50B. Sidewalk/Curb Right: 0.0 ft.
51. Bridge Roadway Width: 26 ft.	52. Deck Width (O-O): 26.5 ft.
32. Approach Roadway Width: 24 ft.	33. Bridge Median: 0 (NO MEDIAN)
34. Skew: 0 Degree(s)	35. Structure Flared: 0 (NO FLARE)
10. Defense Vertical Clearance: 99.99	53. Vertical Clearance/Deck: 99.99 ft.
47. Total Horiz. Clearance: 26 ft.	54A. Min Vert Clear Code: N
55A. Min Latr. Cl. Right - Code: N	54B. Underclearance: 0 ft.
55B. Lateral Right: 0 ft.	56. Lateral Left: 0 ft.

STRUCTURE INVENTORY AND APPRAISAL REPORT - 2

NBI Number: 2200108
 Facility Carried: JOHN PECTOL RD

Bridge Number: 22-00023 B
 Feature(s) Intersected: BIG INDIAN CREEK

NAVIGATION

38. Navigational Control:	0	40. Navigational Horizontal Clearance:	0 ft.
39. Navigational Vertical Clearance:	0 ft.	116. Vertical Clearance - Lift Bridge:	ft.
111. Pier/Abutment Protection:			

CLASSIFICATION

112. NBIS Bridge Length:	Y	12. Base Highway Network:	0
104. Highway System - Over:	0 (NOT ON NHS)	13A. LRS Inventory Route:	
26. Func. Class - Over:	09 (RURAL - LOCAL)	13B. LRS Inventory Subroute:	
100. Defense Highway Des:	0	101. Parallel Structure Des:	N
102. Direction of Traffic:	2 (2-WAY TRAFFIC)	103. Temporary Structure Des:	
110. Des. Nat. Network:	0	20. Toll:	3 (ON FREE ROAD-NO TOLL)
21. Maint. Responsibility:	02 (COUNTY HIGHWAY AGENCY)	22. Owner:	02 (COUNTY HIGHWAY AGENCY)
37. Historical Significance:	5 (NOT ELIGIBLE)		

CONDITION

58. Deck:	Material: CONCRETE	Rating:	9
EXCELLENT - NO MAJOR DEFECTS			
58.01. Wearing Surface:	Material: CONCRETE	Rating:	9
EXCELLENT - NO MAJOR DEFECTS			
59. Superstructure:	Material: STEEL	Rating:	8
VERY GOOD - RUST LAMINATION TYP. AT FLOOR BEAM CONNECTIONS, DEBRIS PACKED IN LOWER CHORDS			
60. Substructure:	Material: CONCRETE	Rating:	9
EXCELLENT - NO MAJOR DEFECTS			
61. Channel:	Material: RIPRAP & NATURAL	Rating:	8
VERY GOOD - NO MAJOR DEFECTS			
62. Culvert/Ret:	Material: N/A	Rating:	N
N/A			

LOAD RATING AND POSTING

31. Design Load:	A (HL 93)	63. Oper Rating Method:	3 (LOAD RESISTANCE FACTOR (LRFR))
64. Operating Rating:	53	65. Inv Rating Method:	3 (LOAD AND RESISTANCE FACTOR (LRFR))
66. Inventory Rating:	49	66C. Tons Posted:	Tons
66B. Gross Tons or H Rating:	27 Tons	66D. Date Posted/Closed:	
41. Open, Posted, or Closed:	A (OPEN)	70. Bridge Posting:	5 (EQUAL TO OR ABOVE LEGAL LOADS)

STRUCTURE INVENTORY AND APPRAISAL REPORT - 3

NBI Number: 2200108
Facility Carried: JOHN PECTOL RD

Bridge Number: 22-00023 B
Feature(s) Intersected: BIG INDIAN CREEK

APPRAISAL

67.	Structural:	8
68.	Geometry:	5
69.	Underclearance:	N
71.	Waterway Adequacy:	4
36A.	Traffic Safety Features (Bridge Railings):	1 (MEETS ACCEPTABLE STANDARDS)
36B.	Traffic Safety Features (Transitions):	1 (MEETS ACCEPTABLE STANDARDS)
36C.	Traffic Safety Features (Approach Guardrail):	1 (MEETS ACCEPTABLE STANDARDS)
36D.	Traffic Safety Features (Approach Guardrail Ends):	1 (MEETS ACCEPTABLE STANDARDS)
72.	Roadway Alignment:	6 - TANGENT, CURVES EA. WAY & "T" INT. @ SW, HUMP @ E APPR.
	Material:	BITUMINOUS
	Comments:	NO MAJOR DEFECTS
113.	Scour Critical Bridges:	8 (STABLE - EXCELLENT CONDITION)
	Comments:	NO EVIDENCE OF SCOUR. CHANNEL IS CLAY BANKS WITH GRAVEL BOTTOM

PROPOSED IMPROVEMENTS

75A.	Type of Work:	(NO WORK NEEDED.)
75B.	Work Done By:	0
76.	Improvement Length:	0 ft.
94.	Bridge Improvement Costs:	0 x 1000
95.	Roadway Improvement Costs:	0 x 1000
96.	Total Project Cost:	0 x 1000
97.	Year of Cost Estimate:	

RECOMMENDED MAINTENANCE

RECOMMEND CLEANING DEBRIS FROM LOWER CHORDS.

INSPECTION DATA

90.	Date:	3/4/2020	91.	Des. Inspection Frequency:	24 Months
92.	Critical Feature Inspection:	A: Y 24	B: N	C: N	
93.	Date:	A: 3/4/2020	B:	C:	
	Unofficial Sufficiency Rating:	87.3			
	Unofficial Structural and Functional Classification:	0 (OK)			



LOOKING WEST FROM ROAD



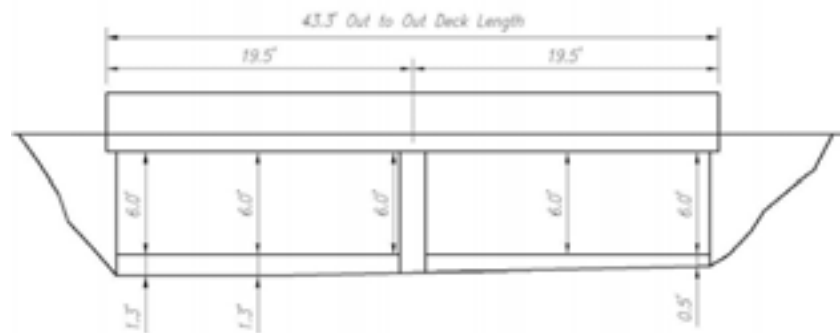
LOOKING EAST FROM ROAD



LOOKING NORTH THROUGH CHANNEL



DOWNSTREAM PIER CRACKS AND EFFL.



See Additional Photographs

See on Township Map

FLOYD COUNTY - BRIDGE NO. 22-00024
G'TOWN-GREENVILLE over RICHLAND CREEK

STRUCTURE INVENTORY AND APPRAISAL REPORT - 1

NBI Number: 2200023 Facility Carried: G'TOWN-GREENVILLE	Bridge Number: 22-00024 Feature(s) Intersected: RICHLAND CREEK
--	---

IDENTIFICATION

1. State: 185 (INDIANA) 8. NBI Number: 2200023 5. Inventory Route On: 1-4-1- 0-0 2. District: 05 (SEYMOUR) 3. County: 022 (FLOYD) 6. Feat Intersected: RICHLAND CREEK 7. Facility Carried: G'TOWN-GREENVILLE 9. Location: 00.60 S of BAKER Rd	4. City/Town: 00000 () 98. Border Bridge: 99. Border Bridge Number: 11. Mile Point (over): 0 16. Latitude: 38.32955 17. Longitude: -86.00676
--	---

STRUCTURE DATA

43A. Structure Type - Main Span: 2 (CONTINUOUS CONCRETE) 43B. Structure Type - Main Span - Const. 01 (SLAB) 107. Deck Structure Type: 1 (CONCRETE CAST-IN-PLACE) 108A. Wearing Surface: 6 (BITUMINOUS) 108C. Protection 0 (NONE)	44. Structure Type - Approach: 000 45. Number of Spans - Main: 2 46. Number of Spans - Approach: 0000 108B. Membrane: 0 (NONE)
--	---

AGE OF SERVICE

27. Year Built: 1929 42A. Type of Service Over: 1 (HIGHWAY) 28A. Lanes on Structure: 2 29. ADT - Over: 380 VPD 114. Future ADT: 559 VPD 109. Average Truck Traffic: 5 %Trucks	106. Reconstructed: 0 42B. Type of Service Under: 5 (WATERWAY) 28B. Lanes Under Structure: 0 30. ADT Year Over: 2016 115. Future ADT Year: 2036 19. Bypass Detour Length: 4 mi.
--	--

GEOMETRIC DATA

48. Maximum Span Length: 19.5 ft. 50A. Sidewalk/Curb Left: 0.0 ft. 51. Bridge Roadway Width: 20 ft. 32. Approach Roadway Width: 20 ft. 34. Skew: 15 Degree(s) 10. Defense Vertical Clearance: 99.99 47. Total Horiz. Clearance: 20 ft. 55A. Min Latr. Cl. Right - Code: N 55B. Lateral Right: 0 ft.	49. Structure Length: 43.2 ft. 50B. Sidewalk/Curb Right: 0.0 ft. 52. Deck Width (O-O) 22 ft. 33. Bridge Median: 0 (NO MEDIAN) 35. Structure Flared: 0 (NO FLARE) 53. Vertical Clearance/Deck: 99.99 ft. 54A. Min Vert Clear Code: N 54B. Underclearance: 0 ft. 56. Lateral Left: 0 ft.
---	--

STRUCTURE INVENTORY AND APPRAISAL REPORT - 2

NBI Number: 2200023
 Facility Carried: G'TOWN-GREENVILLE

Bridge Number: 22-00024
 Feature(s) Intersected: RICHLAND CREEK

NAVIGATION

38. Navigational Control: 0	40. Navigational Horizontal Clearance: 0 ft.
39. Navigational Vertical Clearance: 0 ft.	116. Vertical Clearance - Lift Bridge: ft.
111. Pier/Abutment Protection:	

CLASSIFICATION

112. NBIS Bridge Length: Y	12. Base Highway Network: 0
104. Highway System - Over: 0 (NOT ON NHS)	13A. LRS Inventory Route:
26. Func. Class - Over: 07 (RURAL - MAJOR COLLECTOR)	13B. LRS Inventory Subroute:
100. Defense Highway Des: 0	101. Parallel Structure Des: N
102. Direction of Traffic: 2 (2-WAY TRAFFIC)	103. Temporary Structure Des:
110. Des. Nat. Network: 0	20. Toll: 3 (ON FREE ROAD-NO TOLL)
21. Maint. Responsibility: 02 (COUNTY HIGHWAY AGENCY)	22. Owner: 02 (COUNTY HIGHWAY AGENCY)
37. Historical Significance: 2 (ELIGIBLE FOR NATIONAL REGISTER)	

CONDITION

58. Deck:	Material: CONCRETE	Rating: 5	FAIR - SEVERE SCALING ON RAILING
58.01. Wearing Surface:	Material: BITUMINOUS (5")	Rating: 7	GOOD - EXCESSIVE THICKNESS, CRACKS
59. Superstructure:	Material: CONCRETE	Rating: 5	FAIR - SPALLS ON BOTTOM & COPINGS, LEACHING THROUGHOUT, CRACKS W/ EFFL. ALONG COPINGS, RAILING AND SLAB CRACKED OVER PIER
60. Substructure:	Material: CONCRETE	Rating: 6	SATIS - SPALLS, CRACKS, POPOUTS
61. Channel:	Material: RIPRAP & NATURAL	Rating: 5	FAIR - SOME DRIFT IN CHANNEL, FLOW TOWARDS E ABUTMENT
62. Culvert/Ret:	Material: N/A	Rating: N	N/A

LOAD RATING AND POSTING

31. Design Load: 0 (UNKNOWN)	63. Oper Rating Method: 0 (FIELD EVAL AND ENG JUDGEMENT)
64. Operating Rating: 36	65. Inv Rating Method: 0 (FIELD EVAL AND ENG JUDGEMENT)
66. Inventory Rating: 36	66C. Tons Posted: Tons
66B. Gross Tons or H Rating: 20 Tons	66D. Date Posted/Closed:
41. Open, Posted, or Closed: A (OPEN)	70. Bridge Posting: 5 (EQUAL TO OR ABOVE LEGAL LOADS)

STRUCTURE INVENTORY AND APPRAISAL REPORT - 3

NBI Number: 2200023
Facility Carried: G'TOWN-GREENVILLE

Bridge Number: 22-00024
Feature(s) Intersected: RICHLAND CREEK

APPRAISAL

67.	Structural:	5
68.	Geometry:	4
69.	Underclearance:	N
71.	Waterway Adequacy:	4
36A.	Traffic Safety Features (Bridge Railings):	1 (MEETS ACCEPTABLE STANDARDS)
36B.	Traffic Safety Features (Transitions):	0 (DOES NOT MEET ACCEPTABLE STANDARDS/SAFETY FEATURE IS REQUIRED)
36C.	Traffic Safety Features (Approach Guardrail):	0 (DOES NOT MEET ACCEPTABLE STANDARDS/SAFETY FEATURE IS REQUIRED)
36D.	Traffic Safety Features (Approach Guardrail Ends):	1 (MEETS ACCEPTABLE STANDARDS)
72.	Roadway Alignment:	6 - HUMP UP TO BRIDGE, CURVE BOTH WAYS
	Material:	BITUMINOUS
	Comments:	SEALED CRACKS
113.	Scour Critical Bridges:	5 (STABLE - WITHIN LIMITS)
	Comments:	

PROPOSED IMPROVEMENTS

75A.	Type of Work:	31 (REPLACE BRIDGE DUE TO DETERIORATION OF SUPERSTRUCTURE.)
75B.	Work Done By:	1 (CONTRACT)
76.	Improvement Length:	65 ft.
94.	Bridge Improvement Costs:	306 x 1000
95.	Roadway Improvement Costs:	184 x 1000
96.	Total Project Cost:	619 x 1000
97.	Year of Cost Estimate:	2020

RECOMMENDED MAINTENANCE

UNTIL REPLACEMENT, RECOMMEND INSTALLING CURRENT STANDARD APPROACH AND END TREATMENT GUARDRAIL.

INSPECTION DATA

90.	Date:	3/2/2020	91.	Des. Inspection Frequency:	24 Months
92.	Critical Feature Inspection:	A: N	B: N	C: N	
93.	Date:	A:	B:	C:	

Unofficial Sufficiency Rating: 67.8
Unofficial Structural and Functional Classification: 0 (OK)



LOOKING EAST FROM ROAD



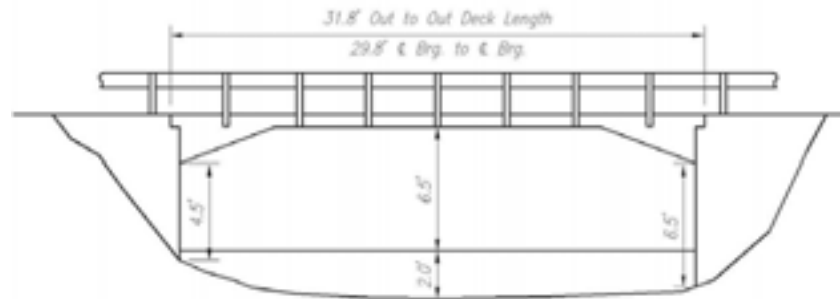
LOOKING WEST FROM ROAD



LOOKING SOUTH THROUGH CHANNEL



WEST ABUTMENT AND DOWNSTREAM COPING



See on
Township Map

STRUCTURE INVENTORY AND APPRAISAL REPORT - 1

NBI Number: 2200024 Facility Carried: BAKER ROAD	Bridge Number: 22-00025 Feature(s) Intersected: RICHLAND CREEK
---	---

IDENTIFICATION

1. State: 185 (INDIANA)	4. City/Town: 00000 ()
8. NBI Number: 2200024	98. Border Bridge:
5. Inventory Route On: 1-4-2- 0-0	99. Border Bridge Number:
2. District: 05 (SEYMOUR)	11. Mile Point (over): 0
3. County: 022 (FLOYD)	16. Latitude: 38.33829
6. Feat Intersected: RICHLAND CREEK	17. Longitude: -86.006721
7. Facility Carried: BAKER ROAD	
9. Location: 00.00 INT of G'TOWN Rd	

STRUCTURE DATA

43A. Structure Type - Main Span: 1 (CONCRETE)	44. Structure Type - Approach: 000
43B. Structure Type - Main Span - Const. 19 (CULVERT)	45. Number of Spans - Main: 1
107. Deck Structure Type: N (N/A - UNDER FILL)	46. Number of Spans - Approach: 0000
108A. Wearing Surface: 6 (BITUMINOUS)	108B. Membrane: 0 (NONE)
108C. Protection 0 (NONE)	

AGE OF SERVICE

27. Year Built: 2004	106. Reconstructed: 0
42A. Type of Service Over: 1 (HIGHWAY)	42B. Type of Service Under: 5 (WATERWAY)
28A. Lanes on Structure: 2	28B. Lanes Under Structure: 0
29. ADT - Over: 292 VPD	30. ADT Year Over: 2016
114. Future ADT: 430 VPD	115. Future ADT Year: 2036
109. Average Truck Traffic: 5 %Trucks	19. Bypass Detour Length: 3 mi.

GEOMETRIC DATA

48. Maximum Span Length: 29.8 ft.	49. Structure Length: 31.8 ft.
50A. Sidewalk/Curb Left: 0.0 ft.	50B. Sidewalk/Curb Right: 0.0 ft.
51. Bridge Roadway Width: 25.3 ft.	52. Deck Width (O-O): 25.6 ft.
32. Approach Roadway Width: 24 ft.	33. Bridge Median: 0 (NO MEDIAN)
34. Skew: 0 Degree(s)	35. Structure Flared: 0 (NO FLARE)
10. Defense Vertical Clearance: 99.99	53. Vertical Clearance/Deck: 99.99 ft.
47. Total Horiz. Clearance: 25.3 ft.	54A. Min Vert Clear Code: N
55A. Min Latr. Cl. Right - Code: N	54B. Underclearance: 0 ft.
55B. Lateral Right: 0 ft.	56. Lateral Left: 0 ft.

STRUCTURE INVENTORY AND APPRAISAL REPORT - 2

NBI Number: 2200024
 Facility Carried: BAKER ROAD

Bridge Number: 22-00025
 Feature(s) Intersected: RICHLAND CREEK

NAVIGATION

38. Navigational Control:	0	40. Navigational Horizontal Clearance:	0 ft.
39. Navigational Vertical Clearance:	0 ft.	116. Vertical Clearance - Lift Bridge:	ft.
111. Pier/Abutment Protection:			

CLASSIFICATION

112. NBIS Bridge Length:	Y	12. Base Highway Network:	0
104. Highway System - Over:	0 (NOT ON NHS)	13A. LRS Inventory Route:	
26. Func. Class - Over:	09 (RURAL - LOCAL)	13B. LRS Inventory Subroute:	
100. Defense Highway Des:	0	101. Parallel Structure Des:	N
102. Direction of Traffic:	2 (2-WAY TRAFFIC)	103. Temporary Structure Des:	
110. Des. Nat. Network:	0	20. Toll:	3 (ON FREE ROAD-NO TOLL)
21. Maint. Responsibility:	02 (COUNTY HIGHWAY AGENCY)	22. Owner:	02 (COUNTY HIGHWAY AGENCY)
37. Historical Significance:	5 (NOT ELIGIBLE)		

CONDITION

58. Deck:	Material: N/A	Rating:	N
	N/A		
58.01. Wearing Surface:	Material: BITUMINOUS (1")	Rating:	7
	GOOD - CRACKS		
59. Superstructure:	Material: N/A	Rating:	N
	N/A		
60. Substructure:	Material: N/A	Rating:	N
	N/A		
61. Channel:	Material: RIPRAP & NATURAL	Rating:	8
	VERY GOOD - EROSION AT WINGS		
62. Culvert/Ret:	Material: PRECAST CONC. 3-SIDED	Rating:	7
	GOOD - EDGES CHIPPED, HAIRLINE CRACKS, EFFL. AT JOINTS		

LOAD RATING AND POSTING

31. Design Load:	5 (HS 20)	63. Oper Rating Method:	0 (FIELD EVAL AND ENG JUDGEMENT)
64. Operating Rating:	36	65. Inv Rating Method:	0 (FIELD EVAL AND ENG JUDGEMENT)
66. Inventory Rating:	36	66C. Tons Posted:	Tons
66B. Gross Tons or H Rating:	20 Tons	66D. Date Posted/Closed:	
41. Open, Posted, or Closed:	A (OPEN)	70. Bridge Posting:	5 (EQUAL TO OR ABOVE LEGAL LOADS)

STRUCTURE INVENTORY AND APPRAISAL REPORT - 3

NBI Number: 2200024
Facility Carried: BAKER ROAD

Bridge Number: 22-00025
Feature(s) Intersected: RICHLAND CREEK

APPRAISAL

67.	Structural:	7
68.	Geometry:	5
69.	Underclearance:	N
71.	Waterway Adequacy:	6
36A.	Traffic Safety Features (Bridge Railings):	1 (MEETS ACCEPTABLE STANDARDS)
36B.	Traffic Safety Features (Transitions):	0 (DOES NOT MEET ACCEPTABLE STANDARDS/SAFETY FEATURE IS REQUIRED)
36C.	Traffic Safety Features (Approach Guardrail):	0 (DOES NOT MEET ACCEPTABLE STANDARDS/SAFETY FEATURE IS REQUIRED)
36D.	Traffic Safety Features (Approach Guardrail Ends):	1 (MEETS ACCEPTABLE STANDARDS)
72.	Roadway Alignment:	6 - TANGENT, UPGRADE TO WEST, INT. EAST
	Material:	BITUMINOUS
	Comments:	LONG. CRACKS
113.	Scour Critical Bridges:	5 (STABLE - WITHIN LIMITS)
	Comments:	

PROPOSED IMPROVEMENTS

75A.	Type of Work:	(NO WORK NEEDED)
75B.	Work Done By:	0
76.	Improvement Length:	0 ft.
94.	Bridge Improvement Costs:	0 x 1000
95.	Roadway Improvement Costs:	0 x 1000
96.	Total Project Cost:	0 x 1000
97.	Year of Cost Estimate:	

RECOMMENDED MAINTENANCE

RECOMMEND PLACING RIPRAP AT SOUTHWEST CORNER AND INSTALLING CURRENT STANDARD APPROACH GUARDRAIL.

INSPECTION DATA

90.	Date:	3/2/2020	91.	Des. Inspection Frequency:	24 Months
92.	Critical Feature Inspection:	A: N	B: N	C: N	
93.	Date:	A:	B:	C:	
	Unofficial Sufficiency Rating:	91.9			
	Unofficial Structural and Functional Classification:	0 (OK)			



LOOKING SOUTH FROM ROAD



LOOKING NORTH FROM ROAD



LOOKING WEST THROUGH CHANNEL



LOOKING NORTH AT ABUTMENT



See Additional Photographs

See on Township Map

FLOYD COUNTY - BRIDGE NO. 22-00026
 G'TOWN-GREENVILLE over RICHLAND CREEK

STRUCTURE INVENTORY AND APPRAISAL REPORT - 1

NBI Number: 2200025 Facility Carried: G'TOWN-GREENVILLE	Bridge Number: 22-00026 Feature(s) Intersected: RICHLAND CREEK
--	---

IDENTIFICATION

1. State: 185 (INDIANA) 8. NBI Number: 2200025 5. Inventory Route On: 1-4-1- 0-0 2. District: 05 (SEYMOUR) 3. County: 022 (FLOYD) 6. Feat Intersected: RICHLAND CREEK 7. Facility Carried: G'TOWN-GREENVILLE 9. Location: 00.20 S OF CROWDER	4. City/Town: 00000 () 98. Border Bridge: 99. Border Bridge Number: 11. Mile Point (over): 0 16. Latitude: 38.34553 17. Longitude: -86.004547
---	--

STRUCTURE DATA

43A. Structure Type - Main Span: 2 (CONTINUOUS CONCRETE) 43B. Structure Type - Main Span - Const. 01 (SLAB) 107. Deck Structure Type: 1 (CONCRETE CAST-IN-PLACE) 108A. Wearing Surface: 1 (MONOLITHIC CONCRETE) 108C. Protection 8 (UNKNOWN)	44. Structure Type - Approach: 000 45. Number of Spans - Main: 5 46. Number of Spans - Approach: 0000 108B. Membrane: 0 (NONE)
--	---

AGE OF SERVICE

27. Year Built: 1989 42A. Type of Service Over: 1 (HIGHWAY) 28A. Lanes on Structure: 2 29. ADT - Over: 617 VPD 114. Future ADT: 908 VPD 109. Average Truck Traffic: 5 %Trucks	106. Reconstructed: 0 42B. Type of Service Under: 5 (WATERWAY) 28B. Lanes Under Structure: 0 30. ADT Year Over: 2016 115. Future ADT Year: 2036 19. Bypass Detour Length: 4 mi.
--	--

GEOMETRIC DATA

48. Maximum Span Length: 28 ft. 50A. Sidewalk/Curb Left: 0.0 ft. 51. Bridge Roadway Width: 28 ft. 32. Approach Roadway Width: 22 ft. 34. Skew: 40 Degree(s) 10. Defense Vertical Clearance: 99.99 47. Total Horiz. Clearance: 28 ft. 55A. Min Latr. Cl. Right - Code: N 55B. Lateral Right: 0 ft.	49. Structure Length: 131 ft. 50B. Sidewalk/Curb Right: 0.0 ft. 52. Deck Width (O-O) 31 ft. 33. Bridge Median: 0 (NO MEDIAN) 35. Structure Flared: 0 (NO FLARE) 53. Vertical Clearance/Deck: 99.99 ft. 54A. Min Vert Clear Code: N 54B. Underclearance: 0 ft. 56. Lateral Left: 0 ft.
---	---

STRUCTURE INVENTORY AND APPRAISAL REPORT - 2

NBI Number: 2200025
 Facility Carried: G'TOWN-GREENVILLE

Bridge Number: 22-00026
 Feature(s) Intersected: RICHLAND CREEK

NAVIGATION

38. Navigational Control: 0	40. Navigational Horizontal Clearance: 0 ft.
39. Navigational Vertical Clearance: 0 ft.	116. Vertical Clearance - Lift Bridge: ft.
111. Pier/Abutment Protection:	

CLASSIFICATION

112. NBIS Bridge Length: Y	12. Base Highway Network: 0
104. Highway System - Over: 0 (NOT ON NHS)	13A. LRS Inventory Route:
26. Func. Class - Over: 07 (RURAL - MAJOR COLLECTOR)	13B. LRS Inventory Subroute:
100. Defense Highway Des: 0	101. Parallel Structure Des: N
102. Direction of Traffic: 2 (2-WAY TRAFFIC)	103. Temporary Structure Des:
110. Des. Nat. Network: 0	20. Toll: 3 (ON FREE ROAD-NO TOLL)
21. Maint. Responsibility: 02 (COUNTY HIGHWAY AGENCY)	22. Owner: 02 (COUNTY HIGHWAY AGENCY)
37. Historical Significance: 5 (NOT ELIGIBLE)	

CONDITION

58. Deck: SATIS - LONG. CRACKS & POPOUTS	Material: CONCRETE	Rating: 6
58.01. Wearing Surface: SATIS - POPOUTS, LONG. CRACKS	Material: MONOLITHIC CONCRETE	Rating: 6
59. Superstructure: SATIS - COPING SPALL OVER PIER, LONG. CRACKS ON TOP	Material: CONCRETE	Rating: 6
60. Substructure: GOOD - VERTICAL HAIRLINE CRACKS, LEACHING	Material: CONCRETE	Rating: 7
61. Channel: FAIR - EROSION AT WINGS	Material: NATURAL/ ROCK	Rating: 5
62. Culvert/Ret: N/A	Material: N/A	Rating: N

LOAD RATING AND POSTING

31. Design Load: 5 (HS 20)	63. Oper Rating Method: 1 (LOAD FACTOR (LF))
64. Operating Rating: 71	65. Inv Rating Method: 1 (LOAD FACTOR (LF))
66. Inventory Rating: 42	66C. Tons Posted: Tons
66B. Gross Tons or H Rating: 23 Tons	66D. Date Posted/Closed:
41. Open, Posted, or Closed: A (OPEN)	70. Bridge Posting: 5 (EQUAL TO OR ABOVE LEGAL LOADS)

STRUCTURE INVENTORY AND APPRAISAL REPORT - 3

NBI Number: 2200025
Facility Carried: G'TOWN-GREENVILLE

Bridge Number: 22-00026
Feature(s) Intersected: RICHLAND CREEK

APPRAISAL

67.	Structural:	6
68.	Geometry:	5
69.	Underclearance:	N
71.	Waterway Adequacy:	4
36A.	Traffic Safety Features (Bridge Railings):	1 (MEETS ACCEPTABLE STANDARDS)
36B.	Traffic Safety Features (Transitions):	1 (MEETS ACCEPTABLE STANDARDS)
36C.	Traffic Safety Features (Approach Guardrail):	1 (MEETS ACCEPTABLE STANDARDS)
36D.	Traffic Safety Features (Approach Guardrail Ends):	1 (MEETS ACCEPTABLE STANDARDS)
72.	Roadway Alignment:	6 - LEVEL, BRIDGE IN CURVE, HILL NORTH
	Material:	
	Comments:	LONG. CRACKS, SOME SEALED
113.	Scour Critical Bridges:	5 (STABLE - WITHIN LIMITS)
	Comments:	

PROPOSED IMPROVEMENTS

75A.	Type of Work:	(NO WORK NEEDED)
75B.	Work Done By:	0
76.	Improvement Length:	0 ft.
94.	Bridge Improvement Costs:	0 x 1000
95.	Roadway Improvement Costs:	0 x 1000
96.	Total Project Cost:	0 x 1000
97.	Year of Cost Estimate:	

RECOMMENDED MAINTENANCE

RECOMMEND INSTALLING CURRENT STANDARD APPROACH RAIL AND BRIDGE END MARKERS AT NORTHEAST AND SOUTHEAST, PLACING RIPRAP AT SOUTHWEST AND SOUTHEAST CORNERS.

INSPECTION DATA

90.	Date:	3/2/2020	91.	Des. Inspection Frequency:	24 Months
92.	Critical Feature Inspection:	A: N	B: N	C: N	
93.	Date:	A:	B:	C:	

Unofficial Sufficiency Rating: 96.8
Unofficial Structural and Functional Classification: 0 (OK)



LOOKING EAST FROM ROAD



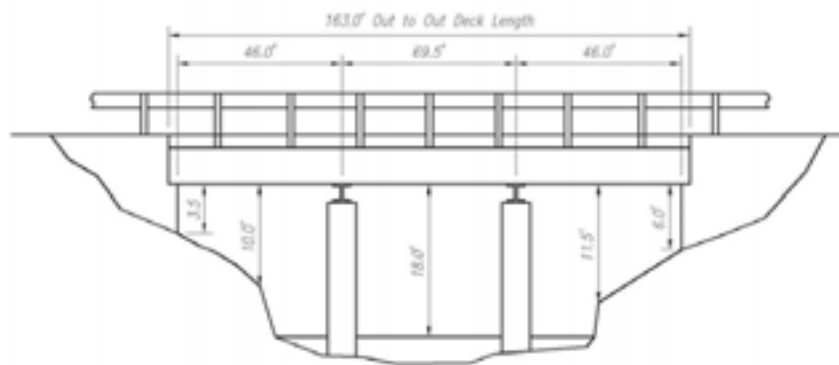
LOOKING WEST FROM ROAD



LOOKING SOUTH FROM CHANNEL



LOOKING EAST AT ABUTMENT SCOUR



See Additional Photographs

See on Township Map

FLOYD COUNTY - BRIDGE NO. 22-00027
G'TOWN-GREENVILLE over BIG INDIAN CREEK

STRUCTURE INVENTORY AND APPRAISAL REPORT - 1

NBI Number: 2200026 Facility Carried: G'TOWN-GREENVILLE	Bridge Number: 22-00027 Feature(s) Intersected: BIG INDIAN Creek
--	---

IDENTIFICATION

1. State: 185 (INDIANA) 8. NBI Number: 2200026 5. Inventory Route On: 1-4-1- 0-0 2. District: 05 (SEYMOUR) 3. County: 022 (FLOYD) 6. Feat Intersected: BIG INDIAN Creek 7. Facility Carried: G'TOWN-GREENVILLE 9. Location: 00.10 W of COOKS MILL	4. City/Town: 00000 () 98. Border Bridge: 99. Border Bridge Number: 11. Mile Point (over): 0 16. Latitude: 38.31769 17. Longitude: -86.001808
--	--

STRUCTURE DATA

43A. Structure Type - Main Span: 4 (CONTINUOUS STEEL) 43B. Structure Type - Main Span - Const. 02 (GIRDER) 107. Deck Structure Type: 1 (CONCRETE CAST-IN-PLACE) 108A. Wearing Surface: 1 (MONOLITHIC CONCRETE) 108C. Protection 8 (UNKNOWN)	44. Structure Type - Approach: 000 45. Number of Spans - Main: 3 46. Number of Spans - Approach: 0000 108B. Membrane: 0 (NONE)
---	---

AGE OF SERVICE

27. Year Built: 1972 42A. Type of Service Over: 1 (HIGHWAY) 28A. Lanes on Structure: 2 29. ADT - Over: 308 VPD 114. Future ADT: 453 VPD 109. Average Truck Traffic: 5 %Trucks	106. Reconstructed: 0 42B. Type of Service Under: 5 (WATERWAY) 28B. Lanes Under Structure: 0 30. ADT Year Over: 2016 115. Future ADT Year: 2036 19. Bypass Detour Length: 8 mi.
--	--

GEOMETRIC DATA

48. Maximum Span Length: 69.5 ft. 50A. Sidewalk/Curb Left: 0.9 ft. 51. Bridge Roadway Width: 28.2 ft. 32. Approach Roadway Width: 27.7 ft. 34. Skew: 45 Degree(s) 10. Defense Vertical Clearance: 99.99 47. Total Horiz. Clearance: 28.2 ft. 55A. Min Latr. Cl. Right - Code: N 55B. Lateral Right: 0 ft.	49. Structure Length: 163 ft. 50B. Sidewalk/Curb Right: 0.9 ft. 52. Deck Width (O-O) 30.2 ft. 33. Bridge Median: 0 (NO MEDIAN) 35. Structure Flared: 0 (NO FLARE) 53. Vertical Clearance/Deck: 99.99 ft. 54A. Min Vert Clear Code: N 54B. Underclearance: 0 ft. 56. Lateral Left: 0 ft.
---	---

STRUCTURE INVENTORY AND APPRAISAL REPORT - 2

NBI Number: 2200026 Facility Carried: G'TOWN-GREENVILLE	Bridge Number: 22-00027 Feature(s) Intersected: BIG INDIAN Creek
--	---

NAVIGATION

38. Navigational Control: 0	40. Navigational Horizontal Clearance: 0 ft.
39. Navigational Vertical Clearance: 0 ft.	116. Vertical Clearance - Lift Bridge: ft.
111. Pier/Abutment Protection:	

CLASSIFICATION

112. NBIS Bridge Length: Y	12. Base Highway Network: 0
104. Highway System - Over: 0 (NOT ON NHS)	13A. LRS Inventory Route:
26. Func. Class - Over: 07 (RURAL - MAJOR COLLECTOR)	13B. LRS Inventory Subroute:
100. Defense Highway Des: 0	101. Parallel Structure Des: N
102. Direction of Traffic: 2 (2-WAY TRAFFIC)	103. Temporary Structure Des:
110. Des. Nat. Network: 0	20. Toll: 3 (ON FREE ROAD-NO TOLL)
21. Maint. Responsibility: 02 (COUNTY HIGHWAY AGENCY)	22. Owner: 02 (COUNTY HIGHWAY AGENCY)
37. Historical Significance: 5 (NOT ELIGIBLE)	

CONDITION

58. Deck:	Material: CONCRETE	Rating:	4
POOR - LARGE SPALLS BOTTOM OF DECK WITH EXPOSED REINFORCING UNDER DECK DRAINS, LEACHING THRU DECK AT CONSTRUCTION JOINTS AND BELOW SPALLS ON TOP OF DECK			
58.01. Wearing Surface:	Material: CONCRETE	Rating:	4
POOR - CONCRETE CRACKS, SPALLS, BITUMINOUS (3") PATCHES, GRAVEL IN GUTTERS			
59. Superstructure:	Material: STEEL	Rating:	6
SATIS - ELASTOMERIC BEARING PADS PUSHED OUT, SURFACE RUST AND FLAKING AT BEARINGS, ALL BEAM BEARING ASSEMBLY BOLTS ARE RUSTED THROUGH AT EAST AND WEST END BENTS			
60. Substructure:	Material: CONC. CAP ON PILES, CONC. BENTS	Rating:	4
POOR - END BENTS UNDERMINED WITH HEAVY RUST ON EXPOSED REINFORCING H-PILES, WEST END BENT HAS 5 PILES EXPOSED, EAST END BENT HAS ALL 9 PILES EXPOSED, BATTERED PILES HAVE HEAVY SECTION LOSS			
61. Channel:	Material: NATURAL/RIPRAP	Rating:	5
FAIR - BRUSHY, ERODED SPILLSLOPES, MEANDERS UPSTREAM			
62. Culvert/Ret:	Material: N/A	Rating:	N
N/A			

LOAD RATING AND POSTING

31. Design Load: 5 (HS 20)	63. Oper Rating Method: 3 (LOAD RESISTANCE FACTOR (LRF))
64. Operating Rating: 66	65. Inv Rating Method: 3 (LOAD AND RESISTANCE FACTOR (LRF))
66. Inventory Rating: 61	66C. Tons Posted: Tons
66B. Gross Tons or H Rating: 48 Tons	66D. Date Posted/Closed:
41. Open, Posted, or Closed: A (OPEN)	70. Bridge Posting: 5 (EQUAL TO OR ABOVE LEGAL LOADS)

STRUCTURE INVENTORY AND APPRAISAL REPORT - 3

NBI Number: 2200026
Facility Carried: G'TOWN-GREENVILLE

Bridge Number: 22-00027
Feature(s) Intersected: BIG INDIAN Creek

APPRAISAL

67.	Structural:	4
68.	Geometry:	6
69.	Underclearance:	N
71.	Waterway Adequacy:	6
36A.	Traffic Safety Features (Bridge Railings):	1 (MEETS ACCEPTABLE STANDARDS)
36B.	Traffic Safety Features (Transitions):	0 (DOES NOT MEET ACCEPTABLE STANDARDS/SAFETY FEATURE IS REQUIRED)
36C.	Traffic Safety Features (Approach Guardrail):	0 (DOES NOT MEET ACCEPTABLE STANDARDS/SAFETY FEATURE IS REQUIRED)
36D.	Traffic Safety Features (Approach Guardrail Ends):	0 (DOES NOT MEET ACCEPTABLE STANDARDS/SAFETY FEATURE IS REQUIRED)
72.	Roadway Alignment:	6 - BRIDGE ABOVE APPROACHES, HORIZONTAL CURVE BOTH WAYS
	Material:	BITUMINOUS
	Comments:	SEALED CRACKS
113.	Scour Critical Bridges:	4 (STABLE - ACTION NEEDED)
	Comments:	

PROPOSED IMPROVEMENTS

75A.	Type of Work:	35 (REHABILITATE BRIDGE DUE TO SUBSTRUCTURE AND DECK DETERIORATION.)
75B.	Work Done By:	1 (CONTRACT)
76.	Improvement Length:	163 ft.
94.	Bridge Improvement Costs:	423 x 1000
95.	Roadway Improvement Costs:	184 x 1000
96.	Total Project Cost:	735 x 1000
97.	Year of Cost Estimate:	2020

RECOMMENDED MAINTENANCE

UNTIL REHABILITATION, RECOMMEND INSTALLING CURRENT STANDARD BRIDGE AND APPROACH RAILING WITH END TREATMENT, AND PLACING BACKFILL AND RIPRAP AT END BENTS.

INSPECTION DATA

90.	Date:	3/2/2020	91.	Des. Inspection Frequency:	12 Months
92.	Critical Feature Inspection:	A: N	B: N	C: N	
93.	Date:	A:	B:	C:	

Unofficial Sufficiency Rating: 67.7
Unofficial Structural and Functional Classification: 1 (STRUCTURALLY DEFICIENT)



LOOKING WEST FROM ROAD



LOOKING EAST FROM ROAD



LOOKING SOUTH FROM CHANNEL



UPSTREAM SPALL AND WEB CRACKS



See on
Township Map

STRUCTURE INVENTORY AND APPRAISAL REPORT - 1

NBI Number: 2200027 Facility Carried: G'TOWN-GREENVILLE	Bridge Number: 22-00028 Feature(s) Intersected: RICHLAND CREEK
--	---

IDENTIFICATION

1. State: 185 (INDIANA) 8. NBI Number: 2200027 5. Inventory Route On: 1-4-1- 0-0 2. District: 05 (SEYMOUR) 3. County: 022 (FLOYD) 6. Feat Intersected: RICHLAND CREEK 7. Facility Carried: G'TOWN-GREENVILLE 9. Location: 00.10 S OF BYRN'VL	4. City/Town: 00000 () 98. Border Bridge: 99. Border Bridge Number: 11. Mile Point (over): 0 16. Latitude: 38.32404 17. Longitude: -86.011879
---	--

STRUCTURE DATA

43A. Structure Type - Main Span: 1 (CONCRETE) 43B. Structure Type - Main Span - Const. 22 (CHANNEL BEAM) 107. Deck Structure Type: 2 (CONCRETE PRECAST) 108A. Wearing Surface: 6 (BITUMINOUS) 108C. Protection 0 (NONE)	44. Structure Type - Approach: 000 45. Number of Spans - Main: 1 46. Number of Spans - Approach: 0000 108B. Membrane: 8 (UNKNOWN)
---	--

AGE OF SERVICE

27. Year Built: 1964 42A. Type of Service Over: 1 (HIGHWAY) 28A. Lanes on Structure: 2 29. ADT - Over: 308 VPD 114. Future ADT: 453 VPD 109. Average Truck Traffic: 5 %Trucks	106. Reconstructed: 0 42B. Type of Service Under: 5 (WATERWAY) 28B. Lanes Under Structure: 0 30. ADT Year Over: 2016 115. Future ADT Year: 2036 19. Bypass Detour Length: 8 mi.
--	--

GEOMETRIC DATA

48. Maximum Span Length: 35 ft. 50A. Sidewalk/Curb Left: 0.0 ft. 51. Bridge Roadway Width: 22.3 ft. 32. Approach Roadway Width: 21 ft. 34. Skew: 0 Degree(s) 10. Defense Vertical Clearance: 99.99 47. Total Horiz. Clearance: 22.3 ft. 55A. Min Latr. Cl. Right - Code: N 55B. Lateral Right: 0 ft.	49. Structure Length: 37.9 ft. 50B. Sidewalk/Curb Right: 0.0 ft. 52. Deck Width (O-O) 22.7 ft. 33. Bridge Median: 0 (NO MEDIAN) 35. Structure Flared: 0 (NO FLARE) 53. Vertical Clearance/Deck: 99.99 ft. 54A. Min Vert Clear Code: N 54B. Underclearance: 0 ft. 56. Lateral Left: 0 ft.
--	--

STRUCTURE INVENTORY AND APPRAISAL REPORT - 2

NBI Number: 2200027
 Facility Carried: G'TOWN-GREENVILLE

Bridge Number: 22-00028
 Feature(s) Intersected: RICHLAND CREEK

NAVIGATION

38.	Navigational Control:	0	40.	Navigational Horizontal Clearance:	0 ft.
39.	Navigational Vertical Clearance:	0 ft.	116.	Vertical Clearance - Lift Bridge:	ft.
111.	Pier/Abutment Protection:				

CLASSIFICATION

112.	NBIS Bridge Length:	Y	12.	Base Highway Network:	0
104.	Highway System - Over:	0 (NOT ON NHS)	13A.	LRS Inventory Route:	
26.	Func. Class - Over:	07 (RURAL - MAJOR COLLECTOR)	13B.	LRS Inventory Subroute:	
100.	Defense Highway Des:	0	101.	Parallel Structure Des:	N
102.	Direction of Traffic:	2 (2-WAY TRAFFIC)	103.	Temporary Structure Des:	
110.	Des. Nat. Network:	0	20.	Toll:	3 (ON FREE ROAD-NO TOLL)
21.	Maint. Responsibility:	02 (COUNTY HIGHWAY AGENCY)	22.	Owner:	02 (COUNTY HIGHWAY AGENCY)
37.	Historical Significance:	5 (NOT ELIGIBLE)			

CONDITION

58.	Deck:	Material: CONCRETE	Rating:	6
	SATIS - LOW RAILING, DIRT IN GUTTERS			
58.01.	Wearing Surface:	Material: BITUMINOUS (7")	Rating:	7
	GOOD - EXCESSIVE THICKNESS			
59.	Superstructure:	Material: CONCRETE	Rating:	5
	FAIR - LARGE SPALLS, EXPOSED REBAR, LONG. CRACKS, LEACHING			
60.	Substructure:	Material: CONCRETE	Rating:	6
	SATIS - HAIRLINE VERTICAL CRACKS, LEACHING, NE CORNER SCOUR			
61.	Channel:	Material: NATURAL/ ROCK	Rating:	6
	SATIS - TREES, EROSION NE WING, FLOW TOWARDS NE & SW CORNERS			
62.	Culvert/Ret:	Material: N/A	Rating:	N
	N/A			

LOAD RATING AND POSTING

31.	Design Load:	0 (UNKNOWN)	63.	Oper Rating Method:	0 (FIELD EVAL AND ENG JUDGEMENT)
64.	Operating Rating:	36	65.	Inv Rating Method:	0 (FIELD EVAL AND ENG JUDGEMENT)
66.	Inventory Rating:	36	66C.	Tons Posted:	Tons
66B.	Gross Tons or H Rating:	20 Tons	66D.	Date Posted/Closed:	
41.	Open, Posted, or Closed:	A (OPEN)	70.	Bridge Posting:	5 (EQUAL TO OR ABOVE LEGAL LOADS)

STRUCTURE INVENTORY AND APPRAISAL REPORT - 3

NBI Number: 2200027
Facility Carried: G'TOWN-GREENVILLE

Bridge Number: 22-00028
Feature(s) Intersected: RICHLAND CREEK

APPRAISAL

67.	Structural:	5
68.	Geometry:	4
69.	Underclearance:	N
71.	Waterway Adequacy:	5
36A.	Traffic Safety Features (Bridge Railings):	0 (DOES NOT MEET ACCEPTABLE STANDARDS/SAFETY FEATURE IS REQUIRED)
36B.	Traffic Safety Features (Transitions):	0 (DOES NOT MEET ACCEPTABLE STANDARDS/SAFETY FEATURE IS REQUIRED)
36C.	Traffic Safety Features (Approach Guardrail):	0 (DOES NOT MEET ACCEPTABLE STANDARDS/SAFETY FEATURE IS REQUIRED)
36D.	Traffic Safety Features (Approach Guardrail Ends):	0 (DOES NOT MEET ACCEPTABLE STANDARDS/SAFETY FEATURE IS REQUIRED)
72.	Roadway Alignment:	6 - HILL SOUTH, DIP & INTERSECTION NORTH
	Material:	Bituminous
	Comments:	SEALED CRACKS
113.	Scour Critical Bridges:	5 (STABLE - WITHIN LIMITS)
	Comments:	

PROPOSED IMPROVEMENTS

75A.	Type of Work:	(NO WORK NEEDED.)
75B.	Work Done By:	0
76.	Improvement Length:	0 ft.
94.	Bridge Improvement Costs:	0 x 1000
95.	Roadway Improvement Costs:	0 x 1000
96.	Total Project Cost:	0 x 1000
97.	Year of Cost Estimate:	

RECOMMENDED MAINTENANCE

RECOMMEND INSTALLING CURRENT STD. BRIDGE & APPR. RAIL W/END TREATMENT AND SE B.E.M.'S.

INSPECTION DATA

90.	Date:	3/2/2020	91.	Des. Inspection Frequency:	24 Months
92.	Critical Feature Inspection:	A: N	B: N	C: N	
93.	Date:	A:	B:	C:	

Unofficial Sufficiency Rating: 69.2
Unofficial Structural and Functional Classification: 0 (OK)



LOOKING NORTH FROM ROAD



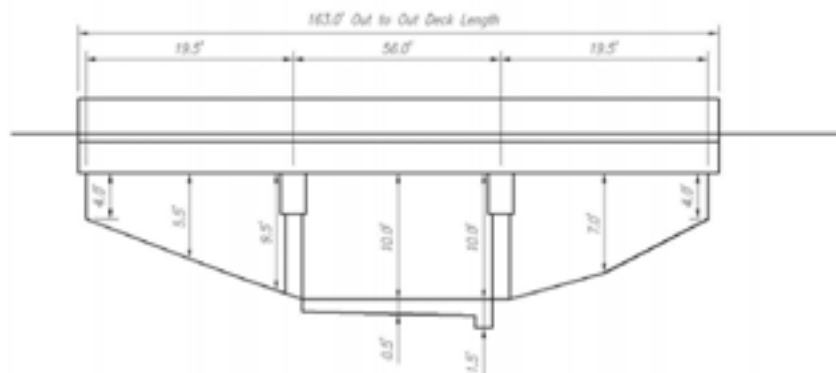
LOOKING SOUTH FROM ROAD



LOOKING WEST THROUGH CHANNEL



SPALLS AT UPSTREAM OF SOUTH PIER



See Additional Photographs

See on Township Map

FLOYD COUNTY - BRIDGE NO. 22-00029
 EDWARDSVILLE-GALENA over LITTLE INDIAN CREEK

STRUCTURE INVENTORY AND APPRAISAL REPORT - 1

NBI Number: 2200028	Bridge Number: 22-00029
Facility Carried: EDWARDSVIL.-GALENA	Feature(s) Intersected: LITTLE INDIAN CREEK

IDENTIFICATION

1. State: 185 (INDIANA)	4. City/Town: 00000 ()
8. NBI Number: 2200028	
5. Inventory Route On: 1-4-1- 0-0	98. Border Bridge:
2. District: 05 (SEYMOUR)	99. Border Bridge Number:
3. County: 022 (FLOYD)	
6. Feat Intersected: LITTLE INDIAN CREEK	11. Mile Point (over): 0
7. Facility Carried: EDWARDSVIL.-GALENA	16. Latitude: 38.32417
9. Location: 00.80 S OF OLD VINCENNES	17. Longitude: -85.933586

STRUCTURE DATA

43A. Structure Type - Main Span: 6 (CONT PRESTR CONCRETE)	44. Structure Type - Approach: 000
43B. Structure Type - Main Span - Const. 06 (SPREAD BOX BEAM)	45. Number of Spans - Main: 3
107. Deck Structure Type: 1 (CONCRETE CAST-IN-PLACE)	46. Number of Spans - Approach: 0000
108A. Wearing Surface: 1 (MONOLITHIC CONCRETE)	108B. Membrane: 0 (NONE)
108C. Protection 1 (EPOXY COATED REINFORCING)	

AGE OF SERVICE

27. Year Built: 1997	106. Reconstructed: 0
42A. Type of Service Over: 1 (HIGHWAY)	42B. Type of Service Under: 5 (WATERWAY)
28A. Lanes on Structure: 2	28B. Lanes Under Structure: 0
29. ADT - Over: 663 VPD	30. ADT Year Over: 2016
114. Future ADT: 976 VPD	115. Future ADT Year: 2036
109. Average Truck Traffic: 5 %Trucks	19. Bypass Detour Length: 8 mi.

GEOMETRIC DATA

48. Maximum Span Length: 56 ft.	49. Structure Length: 163 ft.
50A. Sidewalk/Curb Left: 0.0 ft.	50B. Sidewalk/Curb Right: 0.0 ft.
51. Bridge Roadway Width: 30 ft.	52. Deck Width (O-O): 33 ft.
32. Approach Roadway Width: 29 ft.	33. Bridge Median: 0 (NO MEDIAN)
34. Skew: 40 Degree(s)	35. Structure Flared: 0 (NO FLARE)
10. Defense Vertical Clearance: 99.99	53. Vertical Clearance/Deck: 99.99 ft.
47. Total Horiz. Clearance: 30 ft.	54A. Min Vert Clear Code: N
55A. Min Latr. Cl. Right - Code: N	54B. Underclearance: 0 ft.
55B. Lateral Right: 0 ft.	56. Lateral Left: 0 ft.

STRUCTURE INVENTORY AND APPRAISAL REPORT - 2

NBI Number: 2200028	Bridge Number: 22-00029
Facility Carried: EDWARDSVIL.-GALENA	Feature(s) Intersected: LITTLE INDIAN CREEK

NAVIGATION

38. Navigational Control: 0	40. Navigational Horizontal Clearance: 0 ft.
39. Navigational Vertical Clearance: 0 ft.	116. Vertical Clearance - Lift Bridge: ft.
111. Pier/Abutment Protection:	

CLASSIFICATION

112. NBIS Bridge Length: Y	12. Base Highway Network: 0
104. Highway System - Over: 0 (NOT ON NHS)	13A. LRS Inventory Route:
26. Func. Class - Over: 07 (RURAL - MAJOR COLLECTOR)	13B. LRS Inventory Subroute:
100. Defense Highway Des: 0	101. Parallel Structure Des: N
102. Direction of Traffic: 2 (2-WAY TRAFFIC)	103. Temporary Structure Des:
110. Des. Nat. Network: 0	20. Toll: 3 (ON FREE ROAD-NO TOLL)
21. Maint. Responsibility: 02 (COUNTY HIGHWAY AGENCY)	22. Owner: 02 (COUNTY HIGHWAY AGENCY)
37. Historical Significance: 5 (NOT ELIGIBLE)	

CONDITION

58. Deck:	Material: CONCRETE	Rating: 7	
GOOD - HAIRLINE CRACKS, POPOUTS, EXPANSION JOINTS DAMAGED			
58.01. Wearing Surface:	Material: INTEGRAL CONCRETE	Rating: 7	
GOOD - RANDOM HAIRLINE CRACKS			
59. Superstructure:	Material: CONCRETE	Rating: 7	
GOOD - TRANS. CRACKS AT BEAM ENDS, SW BEARING WALKING OUT			
60. Substructure:	Material: CONCRETE	Rating: 7	
GOOD - LG SPALL & EXPOSED STEEL S PIER CAP			
61. Channel:	Material: NATURAL ROCK BOTTOM	Rating: 8	
VERY GOOD - BRUSHY, MANY SMALL TREES			
62. Culvert/Ret:	Material: N/A	Rating: N	
N/A			

LOAD RATING AND POSTING

31. Design Load: 5 (HS 20)	63. Oper Rating Method: 3 (LOAD RESISTANCE FACTOR (LRFR))
64. Operating Rating: 94	65. Inv Rating Method: 3 (LOAD AND RESISTANCE FACTOR (LRFR))
66. Inventory Rating: 63	66C. Tons Posted: Tons
66B. Gross Tons or H Rating: 47 Tons	66D. Date Posted/Closed:
41. Open, Posted, or Closed: A (OPEN)	70. Bridge Posting: 5 (EQUAL TO OR ABOVE LEGAL LOADS)

STRUCTURE INVENTORY AND APPRAISAL REPORT - 3

NBI Number: 2200028
Facility Carried: EDWARDSVIL.-GALENA

Bridge Number: 22-00029
Feature(s) Intersected: LITTLE INDIAN CREEK

APPRAISAL

67.	Structural:	7
68.	Geometry:	6
69.	Underclearance:	N
71.	Waterway Adequacy:	8
36A.	Traffic Safety Features (Bridge Railings):	1 (MEETS ACCEPTABLE STANDARDS)
36B.	Traffic Safety Features (Transitions):	1 (MEETS ACCEPTABLE STANDARDS)
36C.	Traffic Safety Features (Approach Guardrail):	1 (MEETS ACCEPTABLE STANDARDS)
36D.	Traffic Safety Features (Approach Guardrail Ends):	1 (MEETS ACCEPTABLE STANDARDS)
72.	Roadway Alignment:	6 - CURVED BR ON HUMP, INT. NE, DRIVE SW
	Material:	CONCRETE / BITUMINOUS
	Comments:	CRACKS
113.	Scour Critical Bridges:	8 (STABLE - EXCELLENT CONDITION)
	Comments:	

PROPOSED IMPROVEMENTS

75A.	Type of Work:	(NO WORK NEEDED.)
75B.	Work Done By:	0
76.	Improvement Length:	0 ft.
94.	Bridge Improvement Costs:	0 x 1000
95.	Roadway Improvement Costs:	0 x 1000
96.	Total Project Cost:	0 x 1000
97.	Year of Cost Estimate:	

RECOMMENDED MAINTENANCE

RECOMMEND PATCHING SPALL ON PIER CAP AND REPLACING BRIDGE END JOINTS.

INSPECTION DATA

90.	Date:	3/4/2020	91.	Des. Inspection Frequency:	48 Months
92.	Critical Feature Inspection:	A: N	B: N	C: N	
93.	Date:	A:	B:	C:	
	Unofficial Sufficiency Rating:	99.6			
	Unofficial Structural and Functional Classification:	0 (OK)			



LOOKING SOUTH FROM ROAD



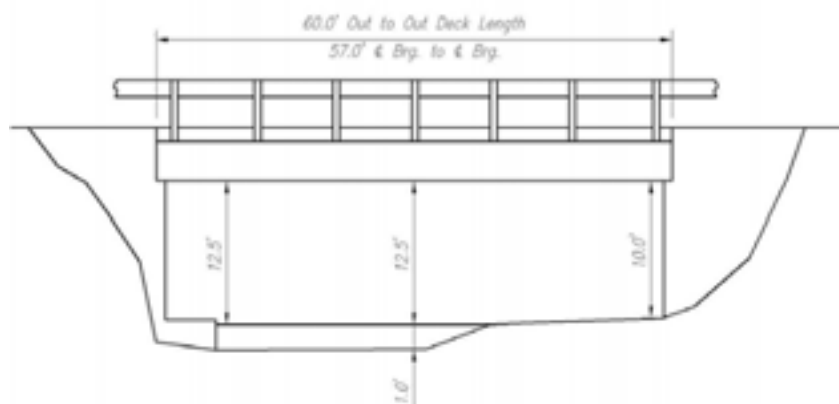
LOOKING NORTH FROM ROAD



LOOKING WEST THROUGH CHANNEL



SOUTHEAST CORNER CRACKS



See Additional Photographs

See on Township Map

FLOYD COUNTY - BRIDGE NO. 22-00031
N LUTHER RD over LITTLE INDIAN CREEK

STRUCTURE INVENTORY AND APPRAISAL REPORT - 1

NBI Number: 2200030
 Facility Carried: N LUTHER RD

Bridge Number: 22-00031
 Feature(s) Intersected: LITTLE INDIAN CREEK

IDENTIFICATION

1. State: 185 (INDIANA) 8. NBI Number: 2200030 5. Inventory Route On: 1-4-2- 0-0 2. District: 05 (SEYMOUR) 3. County: 022 (FLOYD) 6. Feat Intersected: LITTLE INDIAN CREEK 7. Facility Carried: N LUTHER RD 9. Location: 00.10 N OF DUFFY RD	4. City/Town: 00000 () 98. Border Bridge: 99. Border Bridge Number: 11. Mile Point (over): 0 16. Latitude: 38.31005 17. Longitude: -85.910378
---	--

STRUCTURE DATA

43A. Structure Type - Main Span: 5 (PRESTRESSED CONCRETE) 43B. Structure Type - Main Span - Const. 05 (ADJACENT BOX BEAM) 107. Deck Structure Type: 2 (CONCRETE PRECAST) 108A. Wearing Surface: 6 (BITUMINOUS) 108C. Protection 0 (NONE)	44. Structure Type - Approach: 000 45. Number of Spans - Main: 1 46. Number of Spans - Approach: 0000 108B. Membrane: 8 (UNKNOWN)
--	--

AGE OF SERVICE

27. Year Built: 1968 42A. Type of Service Over: 1 (HIGHWAY) 28A. Lanes on Structure: 2 29. ADT - Over: 244 VPD 114. Future ADT: 359 VPD 109. Average Truck Traffic: 3 %Trucks	106. Reconstructed: 0 42B. Type of Service Under: 5 (WATERWAY) 28B. Lanes Under Structure: 0 30. ADT Year Over: 2016 115. Future ADT Year: 2036 19. Bypass Detour Length: 5 mi.
--	--

GEOMETRIC DATA

48. Maximum Span Length: 57 ft. 50A. Sidewalk/Curb Left: 1.0 ft. 51. Bridge Roadway Width: 24.5 ft. 32. Approach Roadway Width: 20 ft. 34. Skew: 0 Degree(s) 10. Defense Vertical Clearance: 99.99 47. Total Horiz. Clearance: 26.2 ft. 55A. Min Latr. Cl. Right - Code: N 55B. Lateral Right: 0 ft.	49. Structure Length: 60 ft. 50B. Sidewalk/Curb Right: 1.0 ft. 52. Deck Width (O-O) 26.5 ft. 33. Bridge Median: 0 (NO MEDIAN) 35. Structure Flared: 0 (NO FLARE) 53. Vertical Clearance/Deck: 99.99 ft. 54A. Min Vert Clear Code: N 54B. Underclearance: 0 ft. 56. Lateral Left: 0 ft.
--	--

STRUCTURE INVENTORY AND APPRAISAL REPORT - 2

NBI Number: 2200030
 Facility Carried: N LUTHER RD

Bridge Number: 22-00031
 Feature(s) Intersected: LITTLE INDIAN CREEK

NAVIGATION

38. Navigational Control:	0	40. Navigational Horizontal Clearance:	0 ft.
39. Navigational Vertical Clearance:	0 ft.	116. Vertical Clearance - Lift Bridge:	ft.
111. Pier/Abutment Protection:			

CLASSIFICATION

112. NBIS Bridge Length:	Y	12. Base Highway Network:	0
104. Highway System - Over:	0 (NOT ON NHS)	13A. LRS Inventory Route:	
26. Func. Class - Over:	09 (RURAL - LOCAL)	13B. LRS Inventory Subroute:	
100. Defense Highway Des:	0	101. Parallel Structure Des:	N
102. Direction of Traffic:	2 (2-WAY TRAFFIC)	103. Temporary Structure Des:	
110. Des. Nat. Network:	0	20. Toll:	3 (ON FREE ROAD-NO TOLL)
21. Maint. Responsibility:	02 (COUNTY HIGHWAY AGENCY)	22. Owner:	02 (COUNTY HIGHWAY AGENCY)
37. Historical Significance:	5 (NOT ELIGIBLE)		

CONDITION

58. Deck:	Material: PRESTR. CONC. BOX BMS	Rating:	4
POOR - SIX BEAMS CRACKED ON BOTTOM (SEE SKETCH)			
58.01. Wearing Surface:	Material: BITUMINOUS (3")	Rating:	5
FAIR - CRACKS OVER OUTSIDE BEAM JOINTS			
59. Superstructure:	Material: PRESTR. CONC. BOX BEAMS	Rating:	4
POOR - SIX BEAMS CRACKED ON BOTTOM WITH RUST COMING THRU SOME CRACKS, VENT HOLES DRIPPING, SEEPAGE BETWEEN BEAMS			
60. Substructure:	Material: CONC. ABUTS	Rating:	6
SATIS - SEVERAL VERTICAL AND DIAGONAL CRACKS WITH LEACHING, SOUTH FOOTING EXPOSED BUT FOUNDED ON ROCK			
61. Channel:	Material: NATURAL	Rating:	6
SATIS - SOUTH FOOTING EXPOSED, FLOW TOWARDS SOUTH FOOTING			
62. Culvert/Ret:	Material: N/A	Rating:	N
N/A			

LOAD RATING AND POSTING

31. Design Load:	5 (HS 20)	63. Oper Rating Method:	3 (LOAD RESISTANCE FACTOR (LRFR))
64. Operating Rating:	43	65. Inv Rating Method:	3 (LOAD AND RESISTANCE FACTOR (LRFR))
66. Inventory Rating:	32	66C. Tons Posted:	Tons
66B. Gross Tons or H Rating:	25 Tons	66D. Date Posted/Closed:	
41. Open, Posted, or Closed:	A (OPEN)	70. Bridge Posting:	5 (EQUAL TO OR ABOVE LEGAL LOADS)

STRUCTURE INVENTORY AND APPRAISAL REPORT - 3

NBI Number: 2200030
 Facility Carried: N LUTHER RD

Bridge Number: 22-00031
 Feature(s) Intersected: LITTLE INDIAN CREEK

APPRAISAL

67.	Structural:	4
68.	Geometry:	5
69.	Underclearance:	N
71.	Waterway Adequacy:	8
36A.	Traffic Safety Features (Bridge Railings):	0 (DOES NOT MEET ACCEPTABLE STANDARDS/SAFETY FEATURE IS REQUIRED)
36B.	Traffic Safety Features (Transitions):	0 (DOES NOT MEET ACCEPTABLE STANDARDS/SAFETY FEATURE IS REQUIRED)
36C.	Traffic Safety Features (Approach Guardrail):	0 (DOES NOT MEET ACCEPTABLE STANDARDS/SAFETY FEATURE IS REQUIRED)
36D.	Traffic Safety Features (Approach Guardrail Ends):	0 (DOES NOT MEET ACCEPTABLE STANDARDS/SAFETY FEATURE IS REQUIRED)
72.	Roadway Alignment:	8 - LEVEL, TANGENT, "T" INTERSECTION SOUTH
	Material:	BITUMINOUS
	Comments:	TRANSVERSE CRACKS
113.	Scour Critical Bridges:	5 (STABLE - WITHIN LIMITS)
	Comments:	

PROPOSED IMPROVEMENTS

75A.	Type of Work:	35 (REHABILITATE BRIDGE DUE TO SUPERSTRUCTURE AND SUBSTRUCTURE DETERIORATION.)
75B.	Work Done By:	1 (CONTRACT)
76.	Improvement Length:	60 ft.
94.	Bridge Improvement Costs:	137 x 1000
95.	Roadway Improvement Costs:	184 x 1000
96.	Total Project Cost:	389 x 1000
97.	Year of Cost Estimate:	2020

RECOMMENDED MAINTENANCE

UNTIL REHABILITATION, RECOMMEND INSTALLING CURRENT STANDARD BRIDGE AND APPROACH RAILING WITH END TREATMENT AND MISSING NORTHEAST AND SOUTHWEST BRIDGE END MARKERS, AND PLACING RIPRAP IN SOUTHEAST QUADRANT.

INSPECTION DATA

90.	Date:	3/4/2020	91.	Des. Inspection Frequency:	12 Months
92.	Critical Feature Inspection:	A: N	B: N	C: N	
93.	Date:	A:	B:	C:	

Unofficial Sufficiency Rating: 60.8
 Unofficial Structural and Functional Classification: 1 (STRUCTURALLY DEFICIENT)



LOOKING WEST FROM ROAD



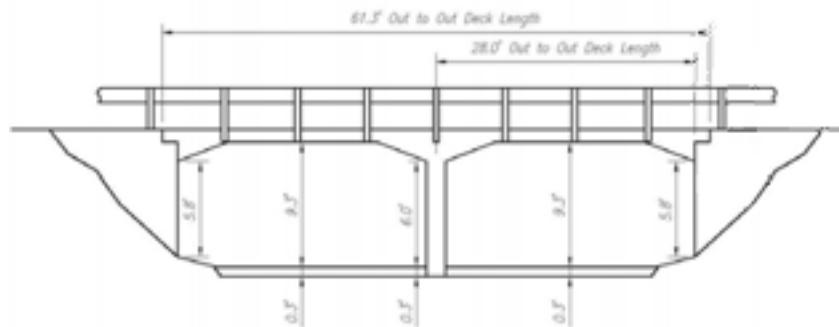
LOOKING EAST FROM ROAD



LOOKING SOUTH FROM CHANNEL



TYPICAL SEEPAGE BETWEEN SEGMENTS



See Additional Photographs

See on Township Map

FLOYD COUNTY - BRIDGE NO. 22-00032
REASOR RD over LITTLE INDIAN CREEK

STRUCTURE INVENTORY AND APPRAISAL REPORT - 1

NBI Number: 2200088
 Facility Carried: REASOR RD

Bridge Number: 22-00032
 Feature(s) Intersected: LITTLE INDIAN CREEK

IDENTIFICATION

<table border="0" style="width: 100%;"> <tr><td style="width: 10%;">1.</td><td style="width: 30%;">State:</td><td style="width: 30%;">185 (INDIANA)</td></tr> <tr><td>8.</td><td>NBI Number:</td><td>2200088</td></tr> <tr><td>5.</td><td>Inventory Route On:</td><td>1-4-2- 0-0</td></tr> <tr><td>2.</td><td>District:</td><td>05 (SEYMOUR)</td></tr> <tr><td>3.</td><td>County:</td><td>022 (FLOYD)</td></tr> <tr><td>6.</td><td>Feat Intersected:</td><td>LITTLE INDIAN CREEK</td></tr> <tr><td>7.</td><td>Facility Carried:</td><td>REASOR RD</td></tr> <tr><td>9.</td><td>Location:</td><td>00.30 E OF NAVILLETON RD</td></tr> </table>	1.	State:	185 (INDIANA)	8.	NBI Number:	2200088	5.	Inventory Route On:	1-4-2- 0-0	2.	District:	05 (SEYMOUR)	3.	County:	022 (FLOYD)	6.	Feat Intersected:	LITTLE INDIAN CREEK	7.	Facility Carried:	REASOR RD	9.	Location:	00.30 E OF NAVILLETON RD	<table border="0" style="width: 100%;"> <tr><td style="width: 10%;">4.</td><td style="width: 30%;">City/Town:</td><td style="width: 30%;">00000 ()</td></tr> <tr><td>98.</td><td>Border Bridge:</td><td></td></tr> <tr><td>99.</td><td>Border Bridge Number:</td><td></td></tr> <tr><td>11.</td><td>Mile Point (over):</td><td>0</td></tr> <tr><td>16.</td><td>Latitude:</td><td>38.37548</td></tr> <tr><td>17.</td><td>Longitude:</td><td>-85.932045</td></tr> </table>	4.	City/Town:	00000 ()	98.	Border Bridge:		99.	Border Bridge Number:		11.	Mile Point (over):	0	16.	Latitude:	38.37548	17.	Longitude:	-85.932045
1.	State:	185 (INDIANA)																																									
8.	NBI Number:	2200088																																									
5.	Inventory Route On:	1-4-2- 0-0																																									
2.	District:	05 (SEYMOUR)																																									
3.	County:	022 (FLOYD)																																									
6.	Feat Intersected:	LITTLE INDIAN CREEK																																									
7.	Facility Carried:	REASOR RD																																									
9.	Location:	00.30 E OF NAVILLETON RD																																									
4.	City/Town:	00000 ()																																									
98.	Border Bridge:																																										
99.	Border Bridge Number:																																										
11.	Mile Point (over):	0																																									
16.	Latitude:	38.37548																																									
17.	Longitude:	-85.932045																																									

STRUCTURE DATA

<table border="0" style="width: 100%;"> <tr><td style="width: 10%;">43A.</td><td style="width: 30%;">Structure Type - Main Span:</td><td style="width: 30%;">1 (CONCRETE)</td></tr> <tr><td>43B.</td><td>Structure Type - Main Span - Const.</td><td>11 (DECK ARCH)</td></tr> <tr><td>107.</td><td>Deck Structure Type:</td><td>2 (CONCRETE PRECAST)</td></tr> <tr><td>108A.</td><td>Wearing Surface:</td><td>6 (BITUMINOUS)</td></tr> <tr><td>108C.</td><td>Protection</td><td>1 (EPOXY COATED REINFORCING)</td></tr> </table>	43A.	Structure Type - Main Span:	1 (CONCRETE)	43B.	Structure Type - Main Span - Const.	11 (DECK ARCH)	107.	Deck Structure Type:	2 (CONCRETE PRECAST)	108A.	Wearing Surface:	6 (BITUMINOUS)	108C.	Protection	1 (EPOXY COATED REINFORCING)	<table border="0" style="width: 100%;"> <tr><td style="width: 10%;">44.</td><td style="width: 30%;">Structure Type - Approach:</td><td style="width: 30%;">000</td></tr> <tr><td>45.</td><td>Number of Spans - Main:</td><td>2</td></tr> <tr><td>46.</td><td>Number of Spans - Approach:</td><td>0000</td></tr> <tr><td>108B.</td><td>Membrane:</td><td>0 (NONE)</td></tr> </table>	44.	Structure Type - Approach:	000	45.	Number of Spans - Main:	2	46.	Number of Spans - Approach:	0000	108B.	Membrane:	0 (NONE)
43A.	Structure Type - Main Span:	1 (CONCRETE)																										
43B.	Structure Type - Main Span - Const.	11 (DECK ARCH)																										
107.	Deck Structure Type:	2 (CONCRETE PRECAST)																										
108A.	Wearing Surface:	6 (BITUMINOUS)																										
108C.	Protection	1 (EPOXY COATED REINFORCING)																										
44.	Structure Type - Approach:	000																										
45.	Number of Spans - Main:	2																										
46.	Number of Spans - Approach:	0000																										
108B.	Membrane:	0 (NONE)																										

AGE OF SERVICE

<table border="0" style="width: 100%;"> <tr><td style="width: 10%;">27.</td><td style="width: 30%;">Year Built:</td><td style="width: 30%;">2006</td></tr> <tr><td>42A.</td><td>Type of Service Over:</td><td>1 (HIGHWAY)</td></tr> <tr><td>28A.</td><td>Lanes on Structure:</td><td>2</td></tr> <tr><td>29.</td><td>ADT - Over:</td><td>129 VPD</td></tr> <tr><td>114.</td><td>Future ADT:</td><td>190 VPD</td></tr> <tr><td>109.</td><td>Average Truck Traffic:</td><td>3 %Trucks</td></tr> </table>	27.	Year Built:	2006	42A.	Type of Service Over:	1 (HIGHWAY)	28A.	Lanes on Structure:	2	29.	ADT - Over:	129 VPD	114.	Future ADT:	190 VPD	109.	Average Truck Traffic:	3 %Trucks	<table border="0" style="width: 100%;"> <tr><td style="width: 10%;">106.</td><td style="width: 30%;">Reconstructed:</td><td style="width: 30%;">0</td></tr> <tr><td>42B.</td><td>Type of Service Under:</td><td>5 (WATERWAY)</td></tr> <tr><td>28B.</td><td>Lanes Under Structure:</td><td>0</td></tr> <tr><td>30.</td><td>ADT Year Over:</td><td>2016</td></tr> <tr><td>115.</td><td>Future ADT Year:</td><td>2036</td></tr> <tr><td>19.</td><td>Bypass Detour Length:</td><td>5 mi.</td></tr> </table>	106.	Reconstructed:	0	42B.	Type of Service Under:	5 (WATERWAY)	28B.	Lanes Under Structure:	0	30.	ADT Year Over:	2016	115.	Future ADT Year:	2036	19.	Bypass Detour Length:	5 mi.
27.	Year Built:	2006																																			
42A.	Type of Service Over:	1 (HIGHWAY)																																			
28A.	Lanes on Structure:	2																																			
29.	ADT - Over:	129 VPD																																			
114.	Future ADT:	190 VPD																																			
109.	Average Truck Traffic:	3 %Trucks																																			
106.	Reconstructed:	0																																			
42B.	Type of Service Under:	5 (WATERWAY)																																			
28B.	Lanes Under Structure:	0																																			
30.	ADT Year Over:	2016																																			
115.	Future ADT Year:	2036																																			
19.	Bypass Detour Length:	5 mi.																																			

GEOMETRIC DATA

<table border="0" style="width: 100%;"> <tr><td style="width: 10%;">48.</td><td style="width: 30%;">Maximum Span Length:</td><td style="width: 30%;">28 ft.</td></tr> <tr><td>50A.</td><td>Sidewalk/Curb Left:</td><td>0.0 ft.</td></tr> <tr><td>51.</td><td>Bridge Roadway Width:</td><td>24 ft.</td></tr> <tr><td>32.</td><td>Approach Roadway Width:</td><td>24 ft.</td></tr> <tr><td>34.</td><td>Skew:</td><td>45 Degree(s)</td></tr> <tr><td>10.</td><td>Defense Vertical Clearance:</td><td>99.99</td></tr> <tr><td>47.</td><td>Total Horiz. Clearance:</td><td>24 ft.</td></tr> <tr><td>55A.</td><td>Min Latr. Cl. Right - Code:</td><td>N</td></tr> <tr><td>55B.</td><td>Lateral Right:</td><td>0 ft.</td></tr> </table>	48.	Maximum Span Length:	28 ft.	50A.	Sidewalk/Curb Left:	0.0 ft.	51.	Bridge Roadway Width:	24 ft.	32.	Approach Roadway Width:	24 ft.	34.	Skew:	45 Degree(s)	10.	Defense Vertical Clearance:	99.99	47.	Total Horiz. Clearance:	24 ft.	55A.	Min Latr. Cl. Right - Code:	N	55B.	Lateral Right:	0 ft.	<table border="0" style="width: 100%;"> <tr><td style="width: 10%;">49.</td><td style="width: 30%;">Structure Length:</td><td style="width: 30%;">61.4 ft.</td></tr> <tr><td>50B.</td><td>Sidewalk/Curb Right:</td><td>0.0 ft.</td></tr> <tr><td>52.</td><td>Deck Width (O-O)</td><td>24 ft.</td></tr> <tr><td>33.</td><td>Bridge Median:</td><td>0 (NO MEDIAN)</td></tr> <tr><td>35.</td><td>Structure Flared:</td><td>0 (NO FLARE)</td></tr> <tr><td>53.</td><td>Vertical Clearance/Deck:</td><td>99.99 ft.</td></tr> <tr><td>54A.</td><td>Min Vert Clear Code:</td><td>N</td></tr> <tr><td>54B.</td><td>Underclearance:</td><td>0 ft.</td></tr> <tr><td>56.</td><td>Lateral Left:</td><td>0 ft.</td></tr> </table>	49.	Structure Length:	61.4 ft.	50B.	Sidewalk/Curb Right:	0.0 ft.	52.	Deck Width (O-O)	24 ft.	33.	Bridge Median:	0 (NO MEDIAN)	35.	Structure Flared:	0 (NO FLARE)	53.	Vertical Clearance/Deck:	99.99 ft.	54A.	Min Vert Clear Code:	N	54B.	Underclearance:	0 ft.	56.	Lateral Left:	0 ft.
48.	Maximum Span Length:	28 ft.																																																					
50A.	Sidewalk/Curb Left:	0.0 ft.																																																					
51.	Bridge Roadway Width:	24 ft.																																																					
32.	Approach Roadway Width:	24 ft.																																																					
34.	Skew:	45 Degree(s)																																																					
10.	Defense Vertical Clearance:	99.99																																																					
47.	Total Horiz. Clearance:	24 ft.																																																					
55A.	Min Latr. Cl. Right - Code:	N																																																					
55B.	Lateral Right:	0 ft.																																																					
49.	Structure Length:	61.4 ft.																																																					
50B.	Sidewalk/Curb Right:	0.0 ft.																																																					
52.	Deck Width (O-O)	24 ft.																																																					
33.	Bridge Median:	0 (NO MEDIAN)																																																					
35.	Structure Flared:	0 (NO FLARE)																																																					
53.	Vertical Clearance/Deck:	99.99 ft.																																																					
54A.	Min Vert Clear Code:	N																																																					
54B.	Underclearance:	0 ft.																																																					
56.	Lateral Left:	0 ft.																																																					

STRUCTURE INVENTORY AND APPRAISAL REPORT - 2

NBI Number: 2200088
 Facility Carried: REASOR RD

Bridge Number: 22-00032
 Feature(s) Intersected: LITTLE INDIAN CREEK

NAVIGATION

38. Navigational Control:	0	40. Navigational Horizontal Clearance:	0 ft.
39. Navigational Vertical Clearance:	0 ft.	116. Vertical Clearance - Lift Bridge:	ft.
111. Pier/Abutment Protection:			

CLASSIFICATION

112. NBIS Bridge Length:	Y	12. Base Highway Network:	0
104. Highway System - Over:	0 (NOT ON NHS)	13A. LRS Inventory Route:	
26. Func. Class - Over:	09 (RURAL - LOCAL)	13B. LRS Inventory Subroute:	
100. Defense Highway Des:	0	101. Parallel Structure Des:	N
102. Direction of Traffic:	2 (2-WAY TRAFFIC)	103. Temporary Structure Des:	
110. Des. Nat. Network:	0	20. Toll:	3 (ON FREE ROAD-NO TOLL)
21. Maint. Responsibility:	02 (COUNTY HIGHWAY AGENCY)	22. Owner:	02 (COUNTY HIGHWAY AGENCY)
37. Historical Significance:	5 (NOT ELIGIBLE)		

CONDITION

58. Deck:	Material: CONCRETE	Rating: 7
GOOD - SEEPAGE BETWEEN SEGMENTS		
58.01. Wearing Surface:	Material: BITUMINOUS (2")	Rating: 7
GOOD - CRACKS, SMALL AREA MISSING SOUTHWEST		
59. Superstructure:	Material: CONCRETE	Rating: 7
GOOD - SEEPAGE BETWEEN SEGMENTS, SEGMENT HEIGHT VARIES		
60. Substructure:	Material: CONCRETE	Rating: 8
VERY GOOD - ABRASION ON UPSTREAM NOSE OF PIER AT BOTTOM		
61. Channel:	Material: ROCK BOTTOM, CONC OVER RIPRAP	Rating: 7
GOOD - STRAIGHT		
62. Culvert/Ret:	Material: N/A	Rating: N
N/A		

LOAD RATING AND POSTING

31. Design Load:	5 (HS 20)	63. Oper Rating Method:	0 (FIELD EVAL AND ENG JUDGEMENT)
64. Operating Rating:	36	65. Inv Rating Method:	0 (FIELD EVAL AND ENG JUDGEMENT)
66. Inventory Rating:	36	66C. Tons Posted:	Tons
66B. Gross Tons or H Rating:	20 Tons	66D. Date Posted/Closed:	
41. Open, Posted, or Closed:	A (OPEN)	70. Bridge Posting:	5 (EQUAL TO OR ABOVE LEGAL LOADS)

STRUCTURE INVENTORY AND APPRAISAL REPORT - 3

NBI Number: 2200088
 Facility Carried: REASOR RD

Bridge Number: 22-00032
 Feature(s) Intersected: LITTLE INDIAN CREEK

APPRAISAL

67.	Structural:	7
68.	Geometry:	5
69.	Underclearance:	N
71.	Waterway Adequacy:	6
36A.	Traffic Safety Features (Bridge Railings):	1 (MEETS ACCEPTABLE STANDARDS)
36B.	Traffic Safety Features (Transitions):	0 (DOES NOT MEET ACCEPTABLE STANDARDS/SAFETY FEATURE IS REQUIRED)
36C.	Traffic Safety Features (Approach Guardrail):	0 (DOES NOT MEET ACCEPTABLE STANDARDS/SAFETY FEATURE IS REQUIRED)
36D.	Traffic Safety Features (Approach Guardrail Ends):	1 (MEETS ACCEPTABLE STANDARDS)
72.	Roadway Alignment:	6 - CURVE EACH WAY, NEARLY LEVEL
	Material:	BITUMINOUS
	Comments:	LONG. AND TRANS. CRACKS
113.	Scour Critical Bridges:	5 (STABLE - WITHIN LIMITS)
	Comments:	

PROPOSED IMPROVEMENTS

75A.	Type of Work:	(NO WORK NEEDED.)
75B.	Work Done By:	0
76.	Improvement Length:	0 ft.
94.	Bridge Improvement Costs:	0 x 1000
95.	Roadway Improvement Costs:	0 x 1000
96.	Total Project Cost:	0 x 1000
97.	Year of Cost Estimate:	

RECOMMENDED MAINTENANCE

RECOMMEND INSTALLING CURRENT STD. APPR. RAIL W/END TREATMENT AND SE B.E.M.'S. AND FILL NORTHEAST SHOULDER EROSION

INSPECTION DATA

90.	Date:	3/4/2020	91.	Des. Inspection Frequency:	24 Months
92.	Critical Feature Inspection:	A: N	B: N	C: N	
93.	Date:	A:	B:	C:	
	Unofficial Sufficiency Rating:	93.5			
	Unofficial Structural and Functional Classification:	0 (OK)			



LOOKING EAST FROM ROAD



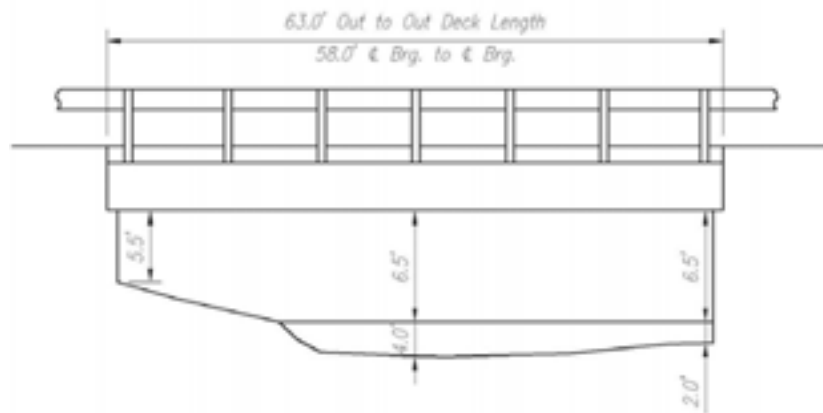
LOOKING WEST FROM ROAD



LOOKING NORTH FROM CHANNEL



SOUTHEAST CORNER EROSION



See Additional Photographs

See on Township Map

FLOYD COUNTY - BRIDGE NO. 22-00033
MALINEE-OTT RD over GEORGETOWN CREEK

STRUCTURE INVENTORY AND APPRAISAL REPORT - 1

NBI Number: 2200032 Facility Carried: MALINEE-OTT RD	Bridge Number: 22-00033 Feature(s) Intersected: GEORGETOWN CREEK
---	---

IDENTIFICATION

1. State: 185 (INDIANA)	4. City/Town: 00000 ()
8. NBI Number: 2200032	98. Border Bridge:
5. Inventory Route On: 1-4-2- 0-0	99. Border Bridge Number:
2. District: 05 (SEYMOUR)	11. Mile Point (over): 0
3. County: 022 (FLOYD)	16. Latitude: 38.30905
6. Feat Intersected: GEORGETOWN CREEK	17. Longitude: -85.997803
7. Facility Carried: MALINEE-OTT RD	
9. Location: 00.10 W OF GRNVILLE/GRTWN	

STRUCTURE DATA

43A. Structure Type - Main Span: 5 (PRESTRESSED CONCRETE)	44. Structure Type - Approach: 000
43B. Structure Type - Main Span - Const. 05 (ADJACENT BOX BEAM)	45. Number of Spans - Main: 1
107. Deck Structure Type: 2 (CONCRETE PRECAST)	46. Number of Spans - Approach: 0000
108A. Wearing Surface: 1 (MONOLITHIC CONCRETE)	108B. Membrane: 0 (NONE)
108C. Protection 8 (UNKNOWN)	

AGE OF SERVICE

27. Year Built: 1984	106. Reconstructed: 0
42A. Type of Service Over: 1 (HIGHWAY)	42B. Type of Service Under: 5 (WATERWAY)
28A. Lanes on Structure: 2	28B. Lanes Under Structure: 0
29. ADT - Over: 193 VPD	30. ADT Year Over: 2016
114. Future ADT: 274 VPD	115. Future ADT Year: 2036
109. Average Truck Traffic: 3 %Trucks	19. Bypass Detour Length: 5 mi.

GEOMETRIC DATA

48. Maximum Span Length: 58 ft.	49. Structure Length: 63 ft.
50A. Sidewalk/Curb Left: 0.0 ft.	50B. Sidewalk/Curb Right: 0.0 ft.
51. Bridge Roadway Width: 24 ft.	52. Deck Width (O-O): 24.4 ft.
32. Approach Roadway Width: 21 ft.	33. Bridge Median: 0 (NO MEDIAN)
34. Skew: 30 Degree(s)	35. Structure Flared: 0 (NO FLARE)
10. Defense Vertical Clearance: 99.99	53. Vertical Clearance/Deck: 99.99 ft.
47. Total Horiz. Clearance: 24 ft.	54A. Min Vert Clear Code: N
55A. Min Latr. Cl. Right - Code: N	54B. Underclearance: 0 ft.
55B. Lateral Right: 0 ft.	56. Lateral Left: 0 ft.

STRUCTURE INVENTORY AND APPRAISAL REPORT - 2

NBI Number: 2200032 Facility Carried: MALINEE-OTT RD	Bridge Number: 22-00033 Feature(s) Intersected: GEORGETOWN CREEK
---	---

NAVIGATION

38. Navigational Control: 0	40. Navigational Horizontal Clearance: 0 ft.
39. Navigational Vertical Clearance: 0 ft.	116. Vertical Clearance - Lift Bridge: ft.
111. Pier/Abutment Protection:	

CLASSIFICATION

112. NBIS Bridge Length: Y	12. Base Highway Network: 0
104. Highway System - Over: 0 (NOT ON NHS)	13A. LRS Inventory Route:
26. Func. Class - Over: 09 (RURAL - LOCAL)	13B. LRS Inventory Subroute:
100. Defense Highway Des: 0	101. Parallel Structure Des: N
102. Direction of Traffic: 2 (2-WAY TRAFFIC)	103. Temporary Structure Des:
110. Des. Nat. Network: 0	20. Toll: 3 (ON FREE ROAD-NO TOLL)
21. Maint. Responsibility: 02 (COUNTY HIGHWAY AGENCY)	22. Owner: 02 (COUNTY HIGHWAY AGENCY)
37. Historical Significance: 5 (NOT ELIGIBLE)	

CONDITION

58. Deck:	Material: CONCRETE	Rating:	6
SATIS - GRAVEL ON EDGES, LONG/ CRACKS AT BOX BEAM JOINTS			
58.01. Wearing Surface:	Material: INTEGRAL CONCRETE	Rating:	6
SATIS - MANY POPOUTS & HAIRLINE CRACKS			
59. Superstructure:	Material: CONCRETE	Rating:	7
GOOD - CRACKS AROUND GUARDRAIL BOLTS ON UPSTREAM			
60. Substructure:	Material: CONCRETE	Rating:	7
GOOD - HAIRLINE CRACKS, LEACHING			
61. Channel:	Material: RIPRAP & NATURAL	Rating:	5
FAIR - EROSION AROUND WINGS, FLOW TOWARDS EAST ABUTMENT			
62. Culvert/Ret:	Material: N/A	Rating:	N
N/A			

LOAD RATING AND POSTING

31. Design Load: 5 (HS 20)	63. Oper Rating Method: 3 (LOAD RESISTANCE FACTOR (LRFR))
64. Operating Rating: 52	65. Inv Rating Method: 3 (LOAD AND RESISTANCE FACTOR (LRFR))
66. Inventory Rating: 37	66C. Tons Posted: Tons
66B. Gross Tons or H Rating: 33 Tons	66D. Date Posted/Closed:
41. Open, Posted, or Closed: A (OPEN)	70. Bridge Posting: 5 (EQUAL TO OR ABOVE LEGAL LOADS)

STRUCTURE INVENTORY AND APPRAISAL REPORT - 3

NBI Number: 2200032
 Facility Carried: MALINEE-OTT RD

Bridge Number: 22-00033
 Feature(s) Intersected: GEORGETOWN CREEK

APPRAISAL

67.	Structural:	7
68.	Geometry:	5
69.	Underclearance:	N
71.	Waterway Adequacy:	6
36A.	Traffic Safety Features (Bridge Railings):	1 (MEETS ACCEPTABLE STANDARDS)
36B.	Traffic Safety Features (Transitions):	0 (DOES NOT MEET ACCEPTABLE STANDARDS/SAFETY FEATURE IS REQUIRED)
36C.	Traffic Safety Features (Approach Guardrail):	0 (DOES NOT MEET ACCEPTABLE STANDARDS/SAFETY FEATURE IS REQUIRED)
36D.	Traffic Safety Features (Approach Guardrail Ends):	1 (MEETS ACCEPTABLE STANDARDS)
72.	Roadway Alignment:	6 - BRIDGE ON HUMP, HILL W, CURVE WEST
	Material:	BITUMINOUS
	Comments:	SATISFACTORY - SETTLED AT BRIDGE ENDS
113.	Scour Critical Bridges:	5 (STABLE - WITHIN LIMITS)
	Comments:	

PROPOSED IMPROVEMENTS

75A.	Type of Work:	(NO WORK NEEDED.)
75B.	Work Done By:	0
76.	Improvement Length:	0 ft.
94.	Bridge Improvement Costs:	0 x 1000
95.	Roadway Improvement Costs:	0 x 1000
96.	Total Project Cost:	0 x 1000
97.	Year of Cost Estimate:	

RECOMMENDED MAINTENANCE

RECOMMEND INSTALLING CURRENT STD. APPR. RAIL W/END TREATMENT, REPAIRING SE SHOULDER EROSION, AND PLACING RIPRAP AT SE CORNER AND BEHIND SE WING.

INSPECTION DATA

90.	Date:	3/3/2020	91.	Des. Inspection Frequency:	24 Months
92.	Critical Feature Inspection:	A: N	B: N	C: N	
93.	Date:	A:	B:	C:	

Unofficial Sufficiency Rating: 93.4
 Unofficial Structural and Functional Classification: 0 (OK)



LOOKING NORTH FROM ROAD



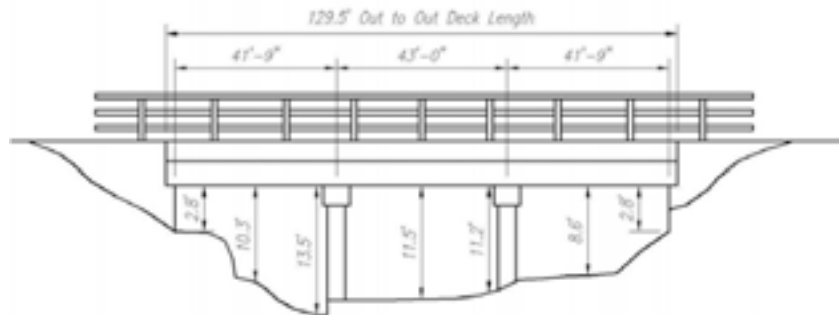
LOOKING SOUTH FROM ROAD



LOOKING WEST THROUGH CHANNEL



SOUTH ABUTMENT SCOUR



See Additional Photographs

See on Township Map

FLOYD COUNTY - BRIDGE NO. 22-00035
 G'TOWN-LANESVILLE over GEORGETOWN CREEK

STRUCTURE INVENTORY AND APPRAISAL REPORT - 1

NBI Number: 2200034 Facility Carried: G'TOWN-LANESVILLE	Bridge Number: 22-00035 Feature(s) Intersected: GEORGETOWN CREEK
--	---

IDENTIFICATION

1. State: 185 (INDIANA) 8. NBI Number: 2200034 5. Inventory Route On: 1-5-1- 0-0 2. District: 05 (SEYMOUR) 3. County: 022 (FLOYD) 6. Feat Intersected: GEORGETOWN CREEK 7. Facility Carried: G'TOWN-LANESVILLE 9. Location: 00.10 S OF US 64	4. City/Town: 27324 (GEORGETOWN) 98. Border Bridge: 99. Border Bridge Number: 11. Mile Point (over): 0 16. Latitude: 38.29339 17. Longitude: -85.980255
---	--

STRUCTURE DATA

43A. Structure Type - Main Span: 3 (STEEL) 43B. Structure Type - Main Span - Const. 02 (GIRDER) 107. Deck Structure Type: 1 (CONCRETE CAST-IN-PLACE) 108A. Wearing Surface: 1 (MONOLITHIC CONCRETE) 108C. Protection 8 (UNKNOWN)	44. Structure Type - Approach: 000 45. Number of Spans - Main: 3 46. Number of Spans - Approach: 0000 108B. Membrane: 0 (NONE)
--	---

AGE OF SERVICE

27. Year Built: 1976 42A. Type of Service Over: 1 (HIGHWAY) 28A. Lanes on Structure: 2 29. ADT - Over: 1301 VPD 114. Future ADT: 1916 VPD 109. Average Truck Traffic: 5 %Trucks	106. Reconstructed: 0 42B. Type of Service Under: 5 (WATERWAY) 28B. Lanes Under Structure: 0 30. ADT Year Over: 2016 115. Future ADT Year: 2036 19. Bypass Detour Length: 4 mi.
--	--

GEOMETRIC DATA

48. Maximum Span Length: 43 ft. 50A. Sidewalk/Curb Left: 0.0 ft. 51. Bridge Roadway Width: 32.7 ft. 32. Approach Roadway Width: 26 ft. 34. Skew: 0 Degree(s) 10. Defense Vertical Clearance: 99.99 47. Total Horiz. Clearance: 32.7 ft. 55A. Min Latr. Cl. Right - Code: N 55B. Lateral Right: 0 ft.	49. Structure Length: 129.5 ft. 50B. Sidewalk/Curb Right: 0.0 ft. 52. Deck Width (O-O) 35.2 ft. 33. Bridge Median: 0 (NO MEDIAN) 35. Structure Flared: 0 (NO FLARE) 53. Vertical Clearance/Deck: 99.99 ft. 54A. Min Vert Clear Code: N 54B. Underclearance: 0 ft. 56. Lateral Left: 0 ft.
--	---

STRUCTURE INVENTORY AND APPRAISAL REPORT - 2

NBI Number: 2200034 Facility Carried: G'TOWN-LANESVILLE	Bridge Number: 22-00035 Feature(s) Intersected: GEORGETOWN CREEK
--	---

NAVIGATION

38. Navigational Control: 0	40. Navigational Horizontal Clearance: 0 ft.
39. Navigational Vertical Clearance: 0 ft.	116. Vertical Clearance - Lift Bridge: ft.
111. Pier/Abutment Protection:	

CLASSIFICATION

112. NBIS Bridge Length: Y	12. Base Highway Network: 0
104. Highway System - Over: 0 (NOT ON NHS)	13A. LRS Inventory Route:
26. Func. Class - Over: 07 (RURAL - MAJOR COLLECTOR)	13B. LRS Inventory Subroute:
100. Defense Highway Des: 0	101. Parallel Structure Des: N
102. Direction of Traffic: 2 (2-WAY TRAFFIC)	103. Temporary Structure Des:
110. Des. Nat. Network: 0	20. Toll: 3 (ON FREE ROAD-NO TOLL)
21. Maint. Responsibility: 02 (COUNTY HIGHWAY AGENCY)	22. Owner: 02 (COUNTY HIGHWAY AGENCY)
37. Historical Significance: 5 (NOT ELIGIBLE)	

CONDITION

58. Deck:	Material: CONCRETE	Rating: 4	
POOR - MANY HAIRLINE CRACKS BOTTOM OF DECK WITH EFFLORESCENCE, BOTTOM OF DECK ALONG WEST COPING BADLY SPALLED WITH EXPOSED REINFORCING, JOINTS OPEN ALLOW WATER ONTO BEAM ENDS AND BEARINGS			
58.01. Wearing Surface:	Material: CONCRETE	Rating: 4	
POOR - NUMEROUS RANDOM HAIRLINE CRACKS AND POPOUTS, MANY LARGE SPALLS WITH BITUMINOUS (2") PATCHES AT ALL SPANS			
59. Superstructure:	Material: STEEL BEAMS	Rating: 5	
FAIR - AREAS OF HEAVY FLAKING RUST ESPECIALLY UNDER OPEN DECK JOINTS			
60. Substructure:	Material: CONC. ABUTS/PIERS	Rating: 6	
SATIS - HAIRLINE CRACKS AND LIGHT EFFLORESCENCE			
61. Channel:	Material: NATURAL	Rating: 6	
SATIS - DRIFT, BANK EROSION, RIPRAP WASHED OFF SOUTH SPILLSLOPE			
62. Culvert/Ret:	Material: N/A	Rating: N	
N/A			

LOAD RATING AND POSTING

31. Design Load: 5 (HS 20)	63. Oper Rating Method: 3 (LOAD RESISTANCE FACTOR (LRFR))
64. Operating Rating: 63	65. Inv Rating Method: 3 (LOAD AND RESISTANCE FACTOR (LRFR))
66. Inventory Rating: 58	66C. Tons Posted: Tons
66B. Gross Tons or H Rating: 42 Tons	66D. Date Posted/Closed:
41. Open, Posted, or Closed: A (OPEN)	70. Bridge Posting: 5 (EQUAL TO OR ABOVE LEGAL LOADS)

STRUCTURE INVENTORY AND APPRAISAL REPORT - 3

NBI Number: 2200034
Facility Carried: G'TOWN-LANESVILLE

Bridge Number: 22-00035
Feature(s) Intersected: GEORGETOWN CREEK

APPRAISAL

67.	Structural:	5
68.	Geometry:	5
69.	Underclearance:	N
71.	Waterway Adequacy:	6
36A.	Traffic Safety Features (Bridge Railings):	0 (DOES NOT MEET ACCEPTABLE STANDARDS/SAFETY FEATURE IS REQUIRED)
36B.	Traffic Safety Features (Transitions):	0 (DOES NOT MEET ACCEPTABLE STANDARDS/SAFETY FEATURE IS REQUIRED)
36C.	Traffic Safety Features (Approach Guardrail):	0 (DOES NOT MEET ACCEPTABLE STANDARDS/SAFETY FEATURE IS REQUIRED)
36D.	Traffic Safety Features (Approach Guardrail Ends):	0 (DOES NOT MEET ACCEPTABLE STANDARDS/SAFETY FEATURE IS REQUIRED)
72.	Roadway Alignment:	6 - CURVED BRIDGE IN LONG HORIZONTAL CURVE ON UPGRADE TO SOUTH
	Material:	BITUMINOUS
	Comments:	CRACKS, POTHOLES, AND PATCHES
113.	Scour Critical Bridges:	4 (STABLE - ACTION NEEDED)
	Comments:	

PROPOSED IMPROVEMENTS

75A.	Type of Work:	35 (REHABILITATE BRIDGE DUE TO SUPERSTRUCTURE DETERIORATION.)
75B.	Work Done By:	1 (CONTRACT)
76.	Improvement Length:	130 ft.
94.	Bridge Improvement Costs:	336 x 1000
95.	Roadway Improvement Costs:	184 x 1000
96.	Total Project Cost:	630 x 1000
97.	Year of Cost Estimate:	2020

RECOMMENDED MAINTENANCE

UNTIL REHABILITATION, RECOMMEND INSTALLING CURRENT STANDARD BRIDGE AND APPROACH RAILING WITH END TREATMENT AND MISSING NORTHEAST, SOUTHWEST, AND NORTHWEST BRIDGE END MARKERS, AND PLACING RIPRAP AT SOUTH ABUTMENT.

INSPECTION DATA

90.	Date:	3/3/2020	91.	Des. Inspection Frequency:	12 Months
92.	Critical Feature Inspection:	A: N	B: N	C: N	
93.	Date:	A:	B:	C:	

Unofficial Sufficiency Rating: 81.6
Unofficial Structural and Functional Classification: 1 (STRUCTURALLY DEFICIENT)



LOOKING SOUTH FROM ROAD



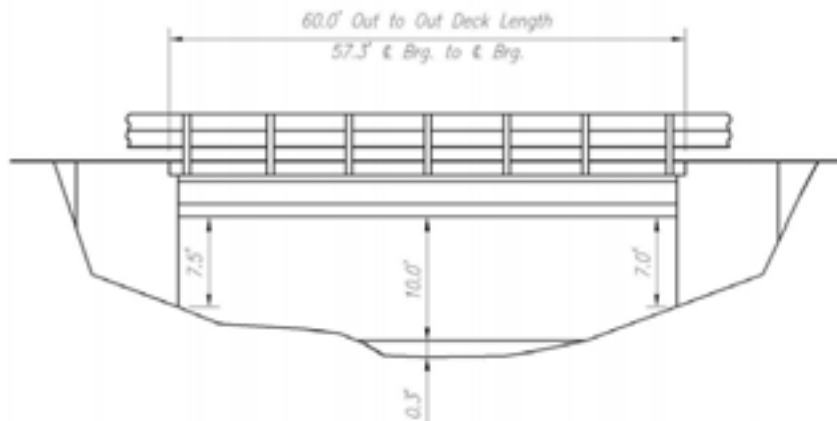
LOOKING NORTH FROM ROAD



LOOKING WEST THROUGH CHANNEL



SOUTH ABUTMENT



See on
Township Map

FLOYD COUNTY - BRIDGE NO. 22-00036 B
WISSMAN RD over GEORGETOWN CREEK

STRUCTURE INVENTORY AND APPRAISAL REPORT - 1

NBI Number: 2200090
 Facility Carried: WISSMAN RD

Bridge Number: 22-00036 B
 Feature(s) Intersected: GEORGETOWN CREEK

IDENTIFICATION

1. State:	185 (INDIANA)	4. City/Town:	27324 (GEORGETOWN)
8. NBI Number:	2200090		
5. Inventory Route On:	1-5-1- 0-0	98. Border Bridge:	
2. District:	05 (SEYMOUR)	99. Border Bridge Number:	
3. County:	022 (FLOYD)		
6. Feat Intersected:	GEORGETOWN CREEK	11. Mile Point (over):	0
7. Facility Carried:	WISSMAN RD	16. Latitude:	38.29268
9. Location:	00.10 S US 64	17. Longitude:	-85.976334

STRUCTURE DATA

43A. Structure Type - Main Span:	5 (PRESTRESSED CONCRETE)	44. Structure Type - Approach:	000
43B. Structure Type - Main Span - Const.	02 (GIRDER)	45. Number of Spans - Main:	1
107. Deck Structure Type:	1 (CONCRETE CAST-IN-PLACE)	46. Number of Spans - Approach:	0000
108A. Wearing Surface:	1 (MONOLITHIC CONCRETE)	108B. Membrane:	0 (NONE)
108C. Protection	1 (EPOXY COATED REINFORCING)		

AGE OF SERVICE

27. Year Built:	2011	106. Reconstructed:	0
42A. Type of Service Over:	1 (HIGHWAY)	42B. Type of Service Under:	5 (WATERWAY)
28A. Lanes on Structure:	2	28B. Lanes Under Structure:	0
29. ADT - Over:	468 VPD	30. ADT Year Over:	2016
114. Future ADT:	690 VPD	115. Future ADT Year:	2036
109. Average Truck Traffic:	3 %Trucks	19. Bypass Detour Length:	3 mi.

GEOMETRIC DATA

48. Maximum Span Length:	57.2 ft.	49. Structure Length:	61.3 ft.
50A. Sidewalk/Curb Left:	0.0 ft.	50B. Sidewalk/Curb Right:	0.0 ft.
51. Bridge Roadway Width:	19 ft.	52. Deck Width (O-O)	19.5 ft.
32. Approach Roadway Width:	20 ft.	33. Bridge Median:	0 (NO MEDIAN)
34. Skew:	0 Degree(s)	35. Structure Flared:	0 (NO FLARE)
10. Defense Vertical Clearance:	99.99	53. Vertical Clearance/Deck:	99.99 ft.
47. Total Horiz. Clearance:	19 ft.	54A. Min Vert Clear Code:	N
55A. Min Latr. Cl. Right - Code:	N	54B. Underclearance:	0 ft.
55B. Lateral Right:	0 ft.	56. Lateral Left:	0 ft.

STRUCTURE INVENTORY AND APPRAISAL REPORT - 2

NBI Number: 2200090
 Facility Carried: WISSMAN RD

Bridge Number: 22-00036 B
 Feature(s) Intersected: GEORGETOWN CREEK

NAVIGATION

38.	Navigational Control:	0	40.	Navigational Horizontal Clearance:	0 ft.
39.	Navigational Vertical Clearance:	0 ft.	116.	Vertical Clearance - Lift Bridge:	ft.
111.	Pier/Abutment Protection:				

CLASSIFICATION

112.	NBIS Bridge Length:	Y	12.	Base Highway Network:	0
104.	Highway System - Over:	0 (NOT ON NHS)	13A.	LRS Inventory Route:	
26.	Func. Class - Over:	09 (RURAL - LOCAL)	13B.	LRS Inventory Subroute:	
100.	Defense Highway Des:	0	101.	Parallel Structure Des:	N
102.	Direction of Traffic:	2 (2-WAY TRAFFIC)	103.	Temporary Structure Des:	
110.	Des. Nat. Network:	0	20.	Toll:	3 (ON FREE ROAD-NO TOLL)
21.	Maint. Responsibility:	02 (COUNTY HIGHWAY AGENCY)	22.	Owner:	02 (COUNTY HIGHWAY AGENCY)
37.	Historical Significance:	5 (NOT ELIGIBLE)			

CONDITION

58.	Deck:	Material: CONCRETE	Rating:	8
	VERY GOOD - NO MAJOR DEFECTS			
58.01.	Wearing Surface:	Material: CONCRETE	Rating:	8
	VERY GOOD - NO MAJOR DEFECTS			
59.	Superstructure:	Material: PRECAST CONCRETE I-BEAM	Rating:	8
	VERY GOOD - NO MAJOR DEFECTS			
60.	Substructure:	Material: CONCRETE ABUTMENTS	Rating:	7
	GOOD - HONEYCOMBED, HAIRLINE CRACKS, 3 VERT. CRACKS AT EACH WING, ONE AT EAST WING AND AT CENTERLINE			
61.	Channel:	Material: RIPRAP & NATURAL BEDROCK	Rating:	7
	GOOD - NO MAJOR DEFECTS, FLOWS TOWARD S ABUTMENT			
62.	Culvert/Ret:	Material: N/A	Rating:	N
	N/A			

LOAD RATING AND POSTING

31.	Design Load:	5 (HS 20)	63.	Oper Rating Method:	3 (LOAD RESISTANCE FACTOR (LRFR))
64.	Operating Rating:	58	65.	Inv Rating Method:	3 (LOAD AND RESISTANCE FACTOR (LRFR))
66.	Inventory Rating:	48	66C.	Tons Posted:	Tons
66B.	Gross Tons or H Rating:	39 Tons	66D.	Date Posted/Closed:	
41.	Open, Posted, or Closed:	A (OPEN)	70.	Bridge Posting:	5 (EQUAL TO OR ABOVE LEGAL LOADS)

STRUCTURE INVENTORY AND APPRAISAL REPORT - 3

NBI Number: 2200090
Facility Carried: WISSMAN RD

Bridge Number: 22-00036 B
Feature(s) Intersected: GEORGETOWN CREEK

APPRAISAL

67.	Structural:	7
68.	Geometry:	2
69.	Underclearance:	N
71.	Waterway Adequacy:	8
36A.	Traffic Safety Features (Bridge Railings):	1 (MEETS ACCEPTABLE STANDARDS)
36B.	Traffic Safety Features (Transitions):	0 (DOES NOT MEET ACCEPTABLE STANDARDS/SAFETY FEATURE IS REQUIRED)
36C.	Traffic Safety Features (Approach Guardrail):	1 (MEETS ACCEPTABLE STANDARDS)
36D.	Traffic Safety Features (Approach Guardrail Ends):	1 (MEETS ACCEPTABLE STANDARDS)
72.	Roadway Alignment:	6 - SHARP CURVE EACH END, ON UPGRADE TO HILL SOUTH
	Material:	BITUMINOUS
	Comments:	SETTLED AT BRIDGE ENDS
113.	Scour Critical Bridges:	8 (STABLE - EXCELLENT CONDITION)
	Comments:	

PROPOSED IMPROVEMENTS

75A.	Type of Work:	(NO WORK NEEDED.)
75B.	Work Done By:	0
76.	Improvement Length:	0 ft.
94.	Bridge Improvement Costs:	0 x 1000
95.	Roadway Improvement Costs:	0 x 1000
96.	Total Project Cost:	0 x 1000
97.	Year of Cost Estimate:	

RECOMMENDED MAINTENANCE

RECOMMEND PLACING RIPRAP ON S SPILLSLOPE.

INSPECTION DATA

90.	Date:	3/3/2020	91.	Des. Inspection Frequency:	24 Months
92.	Critical Feature Inspection:	A: N	B: N	C: N	
93.	Date:	A:	B:	C:	

Unofficial Sufficiency Rating: 80.9

Unofficial Structural and Functional Classification: 2 (FUNCTIONALLY OBSOLETE)



LOOKING NORTH FROM ROAD



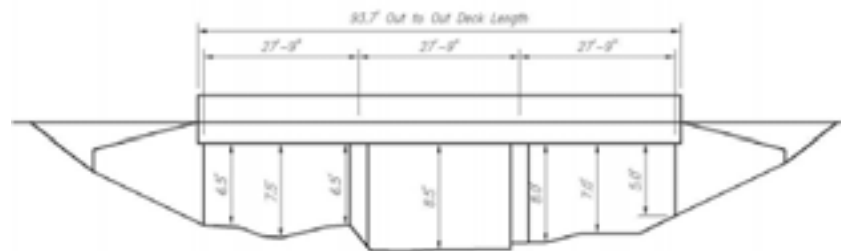
LOOKING SOUTH FROM ROAD



LOOKING WEST THROUGH CHANNEL



NORTH PIER, CENTER SPAN



See on
Township Map

FLOYD COUNTY - BRIDGE NO. 22-00037
WALTS RD over GEORGETOWN CREEK

STRUCTURE INVENTORY AND APPRAISAL REPORT - 1

NBI Number: 2200036 Facility Carried: WALTERS RD	Bridge Number: 22-00037 Feature(s) Intersected: GEORGETOWN CREEK
---	---

IDENTIFICATION

1. State: 185 (INDIANA)	4. City/Town: 27324 (GEORGETOWN)
8. NBI Number: 2200036	
5. Inventory Route On: 1-5-2- 0-0	98. Border Bridge:
2. District: 05 (SEYMOUR)	99. Border Bridge Number:
3. County: 022 (FLOYD)	
6. Feat Intersected: GEORGETOWN CREEK	11. Mile Point (over): 0
7. Facility Carried: WALTERS RD	16. Latitude: 38.29281
9. Location: 00.10 S OF US 64	17. Longitude: -85.972244

STRUCTURE DATA

43A. Structure Type - Main Span: 2 (CONTINUOUS CONCRETE)	44. Structure Type - Approach: 000
43B. Structure Type - Main Span - Const. 01 (SLAB)	45. Number of Spans - Main: 3
107. Deck Structure Type: 1 (CONCRETE CAST-IN-PLACE)	46. Number of Spans - Approach: 0000
108A. Wearing Surface: 1 (MONOLITHIC CONCRETE)	108B. Membrane: 0 (NONE)
108C. Protection 1 (EPOXY COATED REINFORCING)	

AGE OF SERVICE

27. Year Built: 2002	106. Reconstructed: 0
42A. Type of Service Over: 1 (HIGHWAY)	42B. Type of Service Under: 5 (WATERWAY)
28A. Lanes on Structure: 2	28B. Lanes Under Structure: 0
29. ADT - Over: 549 VPD	30. ADT Year Over: 2016
114. Future ADT: 809 VPD	115. Future ADT Year: 2036
109. Average Truck Traffic: 5 %Trucks	19. Bypass Detour Length: 3 mi.

GEOMETRIC DATA

48. Maximum Span Length: 37 ft.	49. Structure Length: 93.7 ft.
50A. Sidewalk/Curb Left: 0.0 ft.	50B. Sidewalk/Curb Right: 0.0 ft.
51. Bridge Roadway Width: 25.5 ft.	52. Deck Width (O-O): 29 ft.
32. Approach Roadway Width: 24 ft.	33. Bridge Median: 0 (NO MEDIAN)
34. Skew: 5 Degree(s)	35. Structure Flared: 0 (NO FLARE)
10. Defense Vertical Clearance: 99.99	53. Vertical Clearance/Deck: 99.99 ft.
47. Total Horiz. Clearance: 25.5 ft.	54A. Min Vert Clear Code: N
55A. Min Latr. Cl. Right - Code: N	54B. Underclearance: 0 ft.
55B. Lateral Right: 0 ft.	56. Lateral Left: 0 ft.

STRUCTURE INVENTORY AND APPRAISAL REPORT - 2

NBI Number: 2200036
 Facility Carried: WALTERS RD

Bridge Number: 22-00037
 Feature(s) Intersected: GEORGETOWN CREEK

NAVIGATION

38. Navigational Control: 0	40. Navigational Horizontal Clearance: 0 ft.
39. Navigational Vertical Clearance: 0 ft.	116. Vertical Clearance - Lift Bridge: ft.
111. Pier/Abutment Protection:	

CLASSIFICATION

112. NBIS Bridge Length: Y	12. Base Highway Network: 0
104. Highway System - Over: 0 (NOT ON NHS)	13A. LRS Inventory Route:
26. Func. Class - Over: 09 (RURAL - LOCAL)	13B. LRS Inventory Subroute:
100. Defense Highway Des: 0	101. Parallel Structure Des: N
102. Direction of Traffic: 2 (2-WAY TRAFFIC)	103. Temporary Structure Des:
110. Des. Nat. Network: 0	20. Toll: 3 (ON FREE ROAD-NO TOLL)
21. Maint. Responsibility: 02 (COUNTY HIGHWAY AGENCY)	22. Owner: 02 (COUNTY HIGHWAY AGENCY)
37. Historical Significance: 5 (NOT ELIGIBLE)	

CONDITION

58. Deck:	Material: CONCRETE	Rating: 8	8
VERY GOOD - FEW POPOUTS, HL CRACKS OVER PIERS, HL CRACKS EVERY 10' ON BARRIERS			
58.01. Wearing Surface:	Material: MONOLITHIC CONCRETE	Rating: 8	8
VERY GOOD - DEBRIS IN GUTTERS, HL CRACKS OVER PIERS			
59. Superstructure:	Material: CONCRETE	Rating: 8	8
VERY GOOD - HONEYCOMB AREAS, RUST STAINS AROUND DRAINS			
60. Substructure:	Material: CONCRETE	Rating: 8	8
VERY GOOD - CONSTRUCTION PATCHES, 5 VERT. CRACKS AT N ABUTMENT, 3 VERT. CRACKS AT S ABUTMENT			
61. Channel:	Material: NATURAL ROCK BOTTOM, RIPRAP	Rating: 7	7
GOOD - SILT BUILT-UP AT BOTH END SPANS			
62. Culvert/Ret:	Material: N/A	Rating: N	N
N/A			

LOAD RATING AND POSTING

31. Design Load: 5 (HS 20)	63. Oper Rating Method: 3 (LOAD RESISTANCE FACTOR (LRFR))
64. Operating Rating: 66	65. Inv Rating Method: 3 (LOAD AND RESISTANCE FACTOR (LRFR))
66. Inventory Rating: 53	66C. Tons Posted: Tons
66B. Gross Tons or H Rating: 35 Tons	66D. Date Posted/Closed:
41. Open, Posted, or Closed: A (OPEN)	70. Bridge Posting: 5 (EQUAL TO OR ABOVE LEGAL LOADS)

STRUCTURE INVENTORY AND APPRAISAL REPORT - 3

NBI Number: 2200036
Facility Carried: WALTERS RD

Bridge Number: 22-00037
Feature(s) Intersected: GEORGETOWN CREEK

APPRAISAL

67.	Structural:	8
68.	Geometry:	4
69.	Underclearance:	N
71.	Waterway Adequacy:	7
36A.	Traffic Safety Features (Bridge Railings):	1 (MEETS ACCEPTABLE STANDARDS)
36B.	Traffic Safety Features (Transitions):	1 (MEETS ACCEPTABLE STANDARDS)
36C.	Traffic Safety Features (Approach Guardrail):	1 (MEETS ACCEPTABLE STANDARDS)
36D.	Traffic Safety Features (Approach Guardrail Ends):	1 (MEETS ACCEPTABLE STANDARDS)
72.	Roadway Alignment:	6 - CURVE & UPGRADE EACH WAY
	Material:	BITUMINOUS
	Comments:	NO MAJOR DEFECTS
113.	Scour Critical Bridges:	8 (STABLE - EXCELLENT CONDITION)
	Comments:	

PROPOSED IMPROVEMENTS

75A.	Type of Work:	(NO WORK NEEDED.)
75B.	Work Done By:	0
76.	Improvement Length:	0 ft.
94.	Bridge Improvement Costs:	0 x 1000
95.	Roadway Improvement Costs:	0 x 1000
96.	Total Project Cost:	0 x 1000
97.	Year of Cost Estimate:	

RECOMMENDED MAINTENANCE

NO MAINTENANCE NEEDED.

INSPECTION DATA

90.	Date:	3/3/2020	91.	Des. Inspection Frequency:	48 Months
92.	Critical Feature Inspection:	A: N	B: N	C: N	
93.	Date:	A:	B:	C:	
	Unofficial Sufficiency Rating:	91.9			
	Unofficial Structural and Functional Classification:	0 (OK)			



LOOKING SOUTH FROM ROAD



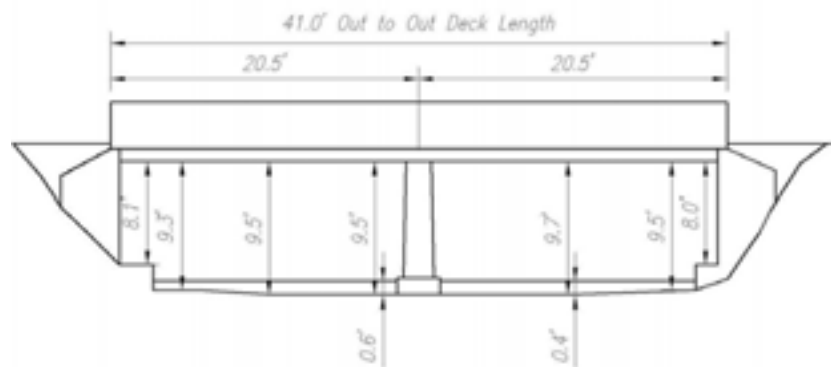
LOOKING NORTH FROM ROAD



LOOKING WEST THROUGH CHANNEL



SOUTH FACE OF PIER



See Additional Photographs

See on Township Map

STRUCTURE INVENTORY AND APPRAISAL REPORT - 1

NBI Number: 2200037	Bridge Number: 22-00038
Facility Carried: BAYLOR-WISSMAN RD	Feature(s) Intersected: GEORGETOWN CREEK

IDENTIFICATION

1. State: 185 (INDIANA)	4. City/Town: 27324 (GEORGETOWN)
8. NBI Number: 2200037	
5. Inventory Route On: 1-5-2- 0-0	98. Border Bridge:
2. District: 05 (SEYMOUR)	99. Border Bridge Number:
3. County: 022 (FLOYD)	
6. Feat Intersected: GEORGETOWN CREEK	11. Mile Point (over): 0
7. Facility Carried: BAYLOR-WISSMAN RD	16. Latitude: 38.29538
9. Location: 00.10 S OF US 64	17. Longitude: -85.957527

STRUCTURE DATA

43A. Structure Type - Main Span: 1 (CONCRETE)	44. Structure Type - Approach: 000
43B. Structure Type - Main Span - Const. 01 (SLAB)	45. Number of Spans - Main: 2
107. Deck Structure Type: 1 (CONCRETE CAST-IN-PLACE)	46. Number of Spans - Approach: 0000
108A. Wearing Surface: 6 (BITUMINOUS)	108B. Membrane: 8 (UNKNOWN)
108C. Protection 0 (NONE)	

AGE OF SERVICE

27. Year Built: 1950	106. Reconstructed: 0
42A. Type of Service Over: 1 (HIGHWAY)	42B. Type of Service Under: 5 (WATERWAY)
28A. Lanes on Structure: 1	28B. Lanes Under Structure: 0
29. ADT - Over: 939 VPD	30. ADT Year Over: 2016
114. Future ADT: 1383 VPD	115. Future ADT Year: 2036
109. Average Truck Traffic: 3 %Trucks	19. Bypass Detour Length: 5 mi.

GEOMETRIC DATA

48. Maximum Span Length: 19.5 ft.	49. Structure Length: 44.3 ft.
50A. Sidewalk/Curb Left: 0.0 ft.	50B. Sidewalk/Curb Right: 0.0 ft.
51. Bridge Roadway Width: 16.7 ft.	52. Deck Width (O-O): 19.3 ft.
32. Approach Roadway Width: 17 ft.	33. Bridge Median: 0 (NO MEDIAN)
34. Skew: 0 Degree(s)	35. Structure Flared: 0 (NO FLARE)
10. Defense Vertical Clearance: 99.99	53. Vertical Clearance/Deck: 99.99 ft.
47. Total Horiz. Clearance: 16.7 ft.	54A. Min Vert Clear Code: N
55A. Min Latr. Cl. Right - Code: N	54B. Underclearance: 0 ft.
55B. Lateral Right: 0 ft.	56. Lateral Left: 0 ft.

STRUCTURE INVENTORY AND APPRAISAL REPORT - 2

NBI Number: 2200037 Facility Carried: BAYLOR-WISSMAN RD	Bridge Number: 22-00038 Feature(s) Intersected: GEORGETOWN CREEK
--	---

NAVIGATION

38. Navigational Control: 0	40. Navigational Horizontal Clearance: 0 ft.
39. Navigational Vertical Clearance: 0 ft.	116. Vertical Clearance - Lift Bridge: ft.
111. Pier/Abutment Protection:	

CLASSIFICATION

112. NBIS Bridge Length: Y	12. Base Highway Network: 0
104. Highway System - Over: 0 (NOT ON NHS)	13A. LRS Inventory Route:
26. Func. Class - Over: 09 (RURAL - LOCAL)	13B. LRS Inventory Subroute:
100. Defense Highway Des: 0	101. Parallel Structure Des: N
102. Direction of Traffic: 3 (ONE LANE BRIDGE FOR 2-WAY TRAFFIC)	103. Temporary Structure Des:
110. Des. Nat. Network: 0	20. Toll: 3 (ON FREE ROAD-NO TOLL)
21. Maint. Responsibility: 02 (COUNTY HIGHWAY AGENCY)	22. Owner: 02 (COUNTY HIGHWAY AGENCY)
37. Historical Significance: 5 (NOT ELIGIBLE)	

CONDITION

58. Deck:	Material: CONCRETE	Rating:	5
FAIR - LIGHT SCALING OVERALL, LARGE SPALL WITH EXPOSED REBAR SOUTH SPAN EAST COPING			
58.01. Wearing Surface:	Material: BITUMINOUS (6")	Rating:	6
SATIS - CRACKS, DEBRIS IN GUTTERS			
59. Superstructure:	Material: CONCRETE	Rating:	5
FAIR - LARGE SPALLS BOTTOM, EXPOSED REBAR			
60. Substructure:	Material: CONCRETE	Rating:	5
FAIR - CRACKS, PIER ENDS SEVERE SPALLING, LARGE TREE BESIDE SOUTHEAST AND NORTHEAST WINGS, FOOTINGS EXPOSED AT ABUTMENTS, TOP FOOTING VISIBLE AT PIER, HORIZONTAL CRACKS W/ LT. EFFL. IN PIER			
61. Channel:	Material: NATURAL ROCK BOTTOM	Rating:	5
FAIR - AGGRADATION SOUTH SPAN, FLOW SKEWED FROM OPENING			
62. Culvert/Ret:	Material: N/A	Rating:	N
N/A			

LOAD RATING AND POSTING

31. Design Load: 0 (UNKNOWN)	63. Oper Rating Method: 0 (FIELD EVAL AND ENG JUDGEMENT)
64. Operating Rating: 36	65. Inv Rating Method: 0 (FIELD EVAL AND ENG JUDGEMENT)
66. Inventory Rating: 36	66C. Tons Posted: Tons
66B. Gross Tons or H Rating: 20 Tons	66D. Date Posted/Closed:
41. Open, Posted, or Closed: A (OPEN)	70. Bridge Posting: 5 (EQUAL TO OR ABOVE LEGAL LOADS)

STRUCTURE INVENTORY AND APPRAISAL REPORT - 3

NBI Number: 2200037
Facility Carried: BAYLOR-WISSMAN RD

Bridge Number: 22-00038
Feature(s) Intersected: GEORGETOWN CREEK

APPRAISAL

67.	Structural:	5
68.	Geometry:	2
69.	Underclearance:	N
71.	Waterway Adequacy:	8
36A.	Traffic Safety Features (Bridge Railings):	1 (MEETS ACCEPTABLE STANDARDS)
36B.	Traffic Safety Features (Transitions):	0 (DOES NOT MEET ACCEPTABLE STANDARDS/SAFETY FEATURE IS REQUIRED)
36C.	Traffic Safety Features (Approach Guardrail):	0 (DOES NOT MEET ACCEPTABLE STANDARDS/SAFETY FEATURE IS REQUIRED)
36D.	Traffic Safety Features (Approach Guardrail Ends):	0 (DOES NOT MEET ACCEPTABLE STANDARDS/SAFETY FEATURE IS REQUIRED)
72.	Roadway Alignment:	6 - BRIDGE IN CURVE & ON HUMP, RR & INT N.
	Material:	BITUMINOUS
	Comments:	NEW OVERLAY AT NORTH
113.	Scour Critical Bridges:	5 (STABLE - WITHIN LIMITS)
	Comments:	

PROPOSED IMPROVEMENTS

75A.	Type of Work:	31 (REPLACE BRIDGE DUE TO DETERIORATION.)
75B.	Work Done By:	1 (CONTRACT)
76.	Improvement Length:	66 ft.
94.	Bridge Improvement Costs:	274 x 1000
95.	Roadway Improvement Costs:	184 x 1000
96.	Total Project Cost:	578 x 1000
97.	Year of Cost Estimate:	2020

RECOMMENDED MAINTENANCE

UNTIL REPLACEMENT RECOMMEND INSTALLING CURRENT STD. APPR. RAIL W/END TREATMENT AND NE & SW B.E.M.'S.

INSPECTION DATA

90.	Date:	3/3/2020	91.	Des. Inspection Frequency:	24 Months
92.	Critical Feature Inspection:	A: N	B: N	C: N	
93.	Date:	A:	B:	C:	

Unofficial Sufficiency Rating: 76.5

Unofficial Structural and Functional Classification: 2 (FUNCTIONALLY OBSOLETE)



LOOKING SOUTH FROM ROAD



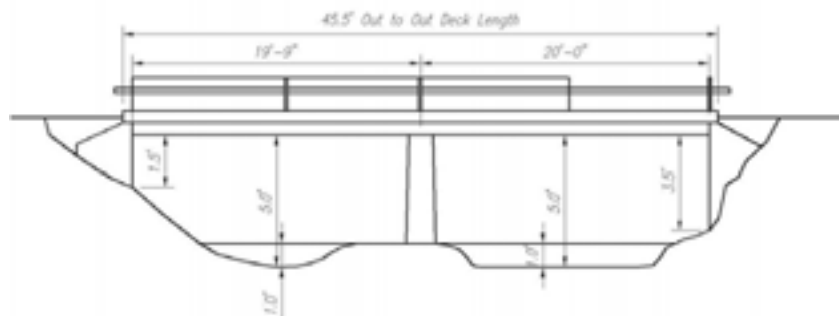
LOOKING NORTH FROM ROAD



LOOKING WEST FROM CHANNEL



LOOKING SOUTH CRACKED, SPALLING EAST COPING



See Additional
Photographs

See on
Township Map

FLOYD COUNTY - BRIDGE NO. 22-00039
MOSER KNOB over LITTLE INDIAN CREEK

STRUCTURE INVENTORY AND APPRAISAL REPORT - 1

NBI Number: 2200038
 Facility Carried: MOSER KNOB

Bridge Number: 22-00039
 Feature(s) Intersected: LITTLE INDIAN CREEK

IDENTIFICATION

1. State: 185 (INDIANA) 8. NBI Number: 2200038 5. Inventory Route On: 1-4-2- 0-0 2. District: 05 (SEYMOUR) 3. County: 022 (FLOYD) 6. Feat Intersected: LITTLE INDIAN CREEK 7. Facility Carried: MOSER KNOB 9. Location: 00.00 INT OF CHAMPION RD	4. City/Town: 00000 () 98. Border Bridge: 99. Border Bridge Number: 11. Mile Point (over): 0 16. Latitude: 38.36821 17. Longitude: -85.846199
---	--

STRUCTURE DATA

43A. Structure Type - Main Span: 2 (CONTINUOUS CONCRETE) 43B. Structure Type - Main Span - Const. 01 (SLAB) 107. Deck Structure Type: 1 (CONCRETE CAST-IN-PLACE) 108A. Wearing Surface: 6 (BITUMINOUS) 108C. Protection 0 (NONE)	44. Structure Type - Approach: 000 45. Number of Spans - Main: 2 46. Number of Spans - Approach: 0000 108B. Membrane: 8 (UNKNOWN)
--	--

AGE OF SERVICE

27. Year Built: 1959 42A. Type of Service Over: 1 (HIGHWAY) 28A. Lanes on Structure: 2 29. ADT - Over: 244 VPD 114. Future ADT: 359 VPD 109. Average Truck Traffic: 3 %Trucks	106. Reconstructed: 1989 42B. Type of Service Under: 5 (WATERWAY) 28B. Lanes Under Structure: 0 30. ADT Year Over: 2016 115. Future ADT Year: 2036 19. Bypass Detour Length: 5 mi.
--	---

GEOMETRIC DATA

48. Maximum Span Length: 20 ft. 50A. Sidewalk/Curb Left: 0.0 ft. 51. Bridge Roadway Width: 36.1 ft. 32. Approach Roadway Width: 30 ft. 34. Skew: 5 Degree(s) 10. Defense Vertical Clearance: 99.99 47. Total Horiz. Clearance: 36.1 ft. 55A. Min Latr. Cl. Right - Code: N 55B. Lateral Right: 0 ft.	49. Structure Length: 25.5 ft. 50B. Sidewalk/Curb Right: 0.0 ft. 52. Deck Width (O-O) 38.7 ft. 33. Bridge Median: 0 (NO MEDIAN) 35. Structure Flared: 0 (NO FLARE) 53. Vertical Clearance/Deck: 99.99 ft. 54A. Min Vert Clear Code: N 54B. Underclearance: 0 ft. 56. Lateral Left: 0 ft.
--	--

STRUCTURE INVENTORY AND APPRAISAL REPORT - 2

NBI Number: 2200038
 Facility Carried: MOSER KNOB

Bridge Number: 22-00039
 Feature(s) Intersected: LITTLE INDIAN CREEK

NAVIGATION

38. Navigational Control:	0	40. Navigational Horizontal Clearance:	0 ft.
39. Navigational Vertical Clearance:	0 ft.	116. Vertical Clearance - Lift Bridge:	ft.
111. Pier/Abutment Protection:			

CLASSIFICATION

112. NBIS Bridge Length:	Y	12. Base Highway Network:	0
104. Highway System - Over:	0 (NOT ON NHS)	13A. LRS Inventory Route:	
26. Func. Class - Over:	09 (RURAL - LOCAL)	13B. LRS Inventory Subroute:	
100. Defense Highway Des:	0	101. Parallel Structure Des:	N
102. Direction of Traffic:	2 (2-WAY TRAFFIC)	103. Temporary Structure Des:	
110. Des. Nat. Network:	0	20. Toll:	3 (ON FREE ROAD-NO TOLL)
21. Maint. Responsibility:	02 (COUNTY HIGHWAY AGENCY)	22. Owner:	02 (COUNTY HIGHWAY AGENCY)
37. Historical Significance:	5 (NOT ELIGIBLE)		

CONDITION

58. Deck:	Material: CONCRETE SLAB	Rating:	5
FAIR - EXTENSIVE CRACKING & LEACHING, DEEP SPALLS BOTTOM ALONG CENTER LINE, PLYWOOD FORMS IN PLACE IN ST. BM. SECTION OF DECK			
58.01. Wearing Surface:	Material: BITUMINOUS (6")	Rating:	6
SATIS - CRACKS, EXCESSIVE THICKNESS			
59. Superstructure:	Material: CONCRETE SLAB AND STEEL BEAMS	Rating:	5
FAIR - DEEP BTM. DECK SPALLS, EXPOSED STEEL, CRACKS W/ EFFL., EXT. STEEL BEAMS HAVE SURFACE RUST			
60. Substructure:	Material: CONCRETE	Rating:	6
SATIS - LIGHT SCALING, TOP OF FTG. EXP., VERT. HL CRACKS, HEAVY EFFL. AT TOPS OF PIER AND NORTH BENT			
61. Channel:	Material: NATURAL/ ROCK	Rating:	5
FAIR - AGGRADATION, EXCESS VEGETATION, SILT BUILD-UP IN S. SPAN			
62. Culvert/Ret:	Material: N/A	Rating:	N
N/A			

LOAD RATING AND POSTING

31. Design Load:	0 (UNKNOWN)	63. Oper Rating Method:	0 (FIELD EVAL AND ENG JUDGEMENT)
64. Operating Rating:	36	65. Inv Rating Method:	0 (FIELD EVAL AND ENG JUDGEMENT)
66. Inventory Rating:	36	66C. Tons Posted:	Tons
66B. Gross Tons or H Rating:	20 Tons	66D. Date Posted/Closed:	
41. Open, Posted, or Closed:	A (OPEN)	70. Bridge Posting:	5 (EQUAL TO OR ABOVE LEGAL LOADS)

STRUCTURE INVENTORY AND APPRAISAL REPORT - 3

NBI Number: 2200038
 Facility Carried: MOSER KNOB

Bridge Number: 22-00039
 Feature(s) Intersected: LITTLE INDIAN CREEK

APPRAISAL

67.	Structural:	5
68.	Geometry:	8
69.	Underclearance:	N
71.	Waterway Adequacy:	6
36A.	Traffic Safety Features (Bridge Railings):	0 (DOES NOT MEET ACCEPTABLE STANDARDS/SAFETY FEATURE IS REQUIRED)
36B.	Traffic Safety Features (Transitions):	0 (DOES NOT MEET ACCEPTABLE STANDARDS/SAFETY FEATURE IS REQUIRED)
36C.	Traffic Safety Features (Approach Guardrail):	0 (DOES NOT MEET ACCEPTABLE STANDARDS/SAFETY FEATURE IS REQUIRED)
36D.	Traffic Safety Features (Approach Guardrail Ends):	1 (MEETS ACCEPTABLE STANDARDS)
72.	Roadway Alignment:	6 - INTERSECTION AT EACH END, UPGRADE TO SOUTH, HILL TO EAST
	Material:	BITUMINOUS
	Comments:	NUMEROUS CRACKS
113.	Scour Critical Bridges:	5 (STABLE - WITHIN LIMITS)
	Comments:	

PROPOSED IMPROVEMENTS

75A.	Type of Work:	31 (REPLACE BRIDGE DUE TO DETERIORATION OF SUPERSTRUCTURE.)
75B.	Work Done By:	1 (CONTRACT)
76.	Improvement Length:	47 ft.
94.	Bridge Improvement Costs:	194 x 1000
95.	Roadway Improvement Costs:	184 x 1000
96.	Total Project Cost:	477 x 1000
97.	Year of Cost Estimate:	2020

RECOMMENDED MAINTENANCE

RECOMMEND INSTALLING CURRENT STD. BRIDGE & APPR. RAIL W/END TREATMENT, AND CLEANING CHANNEL IN S SPAN.

INSPECTION DATA

90.	Date:	3/2/2020	91.	Des. Inspection Frequency:	24 Months
92.	Critical Feature Inspection:	A: N	B: N	C: N	
93.	Date:	A:	B:	C:	

Unofficial Sufficiency Rating: 85.9
 Unofficial Structural and Functional Classification: 0 (OK)



LOOKING NORTH FROM ROAD



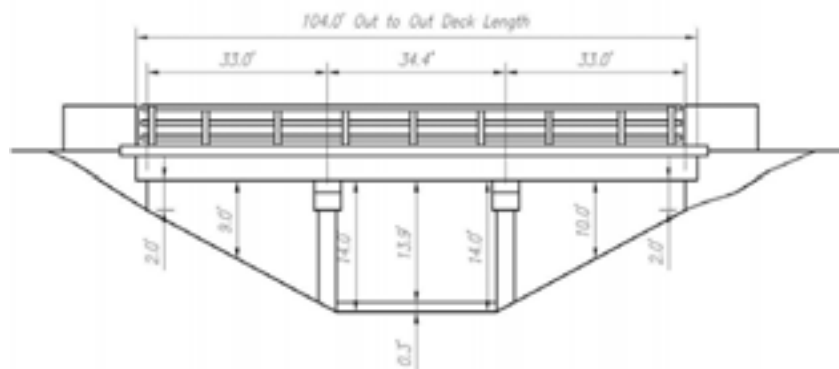
LOOKING SOUTH FROM ROAD



LOOKING WEST THROUGH CHANNEL



UPSTREAM N PIER BM SPALL



See Additional Photographs

See on Township Map

FLOYD COUNTY - BRIDGE NO. 22-00040
 SCOTTSVILLE RD over BIG INDIAN CREEK

STRUCTURE INVENTORY AND APPRAISAL REPORT - 1

NBI Number: 2200039 Facility Carried: SCOTTSVILLE RD	Bridge Number: 22-00040 Feature(s) Intersected: BIG INDIAN CREEK
---	---

IDENTIFICATION

1. State: 185 (INDIANA) 8. NBI Number: 2200039 5. Inventory Route On: 1-4-1- 0-0 2. District: 05 (SEYMOUR) 3. County: 022 (FLOYD) 6. Feat Intersected: BIG INDIAN CREEK 7. Facility Carried: SCOTTSVILLE RD 9. Location: 00.00 INT OF STARLIGHT RD	4. City/Town: 00000 () 98. Border Bridge: 99. Border Bridge Number: 11. Mile Point (over): 0 16. Latitude: 38.37075 17. Longitude: -85.90049
---	---

STRUCTURE DATA

43A. Structure Type - Main Span: 5 (PRESTRESSED CONCRETE) 43B. Structure Type - Main Span - Const. 02 (GIRDER) 107. Deck Structure Type: 1 (CONCRETE CAST-IN-PLACE) 108A. Wearing Surface: 1 (MONOLITHIC CONCRETE) 108C. Protection 8 (UNKNOWN)	44. Structure Type - Approach: 000 45. Number of Spans - Main: 3 46. Number of Spans - Approach: 0000 108B. Membrane: 0 (NONE)
---	---

AGE OF SERVICE

27. Year Built: 1971 42A. Type of Service Over: 1 (HIGHWAY) 28A. Lanes on Structure: 2 29. ADT - Over: 2170 VPD 114. Future ADT: 3196 VPD 109. Average Truck Traffic: 6 %Trucks	106. Reconstructed: 2017 42B. Type of Service Under: 5 (WATERWAY) 28B. Lanes Under Structure: 0 30. ADT Year Over: 2016 115. Future ADT Year: 2036 19. Bypass Detour Length: 5 mi.
--	---

GEOMETRIC DATA

48. Maximum Span Length: 34.4 ft. 50A. Sidewalk/Curb Left: 0.0 ft. 51. Bridge Roadway Width: 27 ft. 32. Approach Roadway Width: 28 ft. 34. Skew: 0 Degree(s) 10. Defense Vertical Clearance: 99.99 47. Total Horiz. Clearance: 29 ft. 55A. Min Latr. Cl. Right - Code: N 55B. Lateral Right: 0 ft.	49. Structure Length: 104 ft. 50B. Sidewalk/Curb Right: 0.0 ft. 52. Deck Width (O-O) 31 ft. 33. Bridge Median: 0 (NO MEDIAN) 35. Structure Flared: 0 (NO FLARE) 53. Vertical Clearance/Deck: 99.99 ft. 54A. Min Vert Clear Code: N 54B. Underclearance: 0 ft. 56. Lateral Left: 0 ft.
--	---

STRUCTURE INVENTORY AND APPRAISAL REPORT - 2

NBI Number: 2200039
 Facility Carried: SCOTTSVILLE RD

Bridge Number: 22-00040
 Feature(s) Intersected: BIG INDIAN CREEK

NAVIGATION

38.	Navigational Control:	0	40.	Navigational Horizontal Clearance:	0 ft.
39.	Navigational Vertical Clearance:	0 ft.	116.	Vertical Clearance - Lift Bridge:	ft.
111.	Pier/Abutment Protection:				

CLASSIFICATION

112.	NBIS Bridge Length:	Y	12.	Base Highway Network:	0
104.	Highway System - Over:	0 (NOT ON NHS)	13A.	LRS Inventory Route:	
26.	Func. Class - Over:	07 (RURAL - MAJOR COLLECTOR)	13B.	LRS Inventory Subroute:	
100.	Defense Highway Des:	0	101.	Parallel Structure Des:	N
102.	Direction of Traffic:	2 (2-WAY TRAFFIC)	103.	Temporary Structure Des:	
110.	Des. Nat. Network:	0	20.	Toll:	3 (ON FREE ROAD-NO TOLL)
21.	Maint. Responsibility:	02 (COUNTY HIGHWAY AGENCY)	22.	Owner:	02 (COUNTY HIGHWAY AGENCY)
37.	Historical Significance:	5 (NOT ELIGIBLE)			

CONDITION

58.	Deck:	Material: CONCRETE	Rating:	6
	SATIS - HAIRLINE CRACKS BOTTOM			
58.01.	Wearing Surface:	Material: INTEGRAL CONCRETE	Rating:	8
	VERY GOOD - NO MAJOR DEFECTS			
59.	Superstructure:	Material: CONCRETE I-BEAM	Rating:	6
	SATIS - BEAM SPALLS & EXPOSED STEEL			
60.	Substructure:	Material: CONCRETE	Rating:	6
	SATIS - BTM. OF S ABUTMENT EXP.			
61.	Channel:	Material: RIPRAP & NATURAL	Rating:	6
	SATIS - LIGHT AGGRADATION			
62.	Culvert/Ret:	Material: N/A	Rating:	N
	N/A			

LOAD RATING AND POSTING

31.	Design Load:	5 (HS 20)	63.	Oper Rating Method:	3 (LOAD RESISTANCE FACTOR (LRFR))
64.	Operating Rating:	79	65.	Inv Rating Method:	3 (LOAD AND RESISTANCE FACTOR (LRFR))
66.	Inventory Rating:	64	66C.	Tons Posted:	Tons
66B.	Gross Tons or H Rating:	45 Tons	66D.	Date Posted/Closed:	
41.	Open, Posted, or Closed:	A (OPEN)	70.	Bridge Posting:	5 (EQUAL TO OR ABOVE LEGAL LOADS)

STRUCTURE INVENTORY AND APPRAISAL REPORT - 3

NBI Number: 2200039
Facility Carried: SCOTTSVILLE RD

Bridge Number: 22-00040
Feature(s) Intersected: BIG INDIAN CREEK

APPRAISAL

67.	Structural:	6
68.	Geometry:	3
69.	Underclearance:	N
71.	Waterway Adequacy:	8
36A.	Traffic Safety Features (Bridge Railings):	1 (MEETS ACCEPTABLE STANDARDS)
36B.	Traffic Safety Features (Transitions):	0 (DOES NOT MEET ACCEPTABLE STANDARDS/SAFETY FEATURE IS REQUIRED)
36C.	Traffic Safety Features (Approach Guardrail):	1 (MEETS ACCEPTABLE STANDARDS)
36D.	Traffic Safety Features (Approach Guardrail Ends):	1 (MEETS ACCEPTABLE STANDARDS)
72.	Roadway Alignment:	8 - TANGENT, DIP AND INTERSECTION AT NORTH END OF BRIDGE
	Material:	BITUMINOUS
	Comments:	NEW BIT. AT BRIDGE ENDS, LONG. AND TRANS. CRACKS
113.	Scour Critical Bridges:	8 (STABLE - EXCELLENT CONDITION)
	Comments:	

PROPOSED IMPROVEMENTS

75A.	Type of Work:	(NO WORK NEEDED.)
75B.	Work Done By:	0
76.	Improvement Length:	0 ft.
94.	Bridge Improvement Costs:	0 x 1000
95.	Roadway Improvement Costs:	0 x 1000
96.	Total Project Cost:	0 x 1000
97.	Year of Cost Estimate:	

RECOMMENDED MAINTENANCE

NO MAINTENANCE REQUIRED.

INSPECTION DATA

90.	Date:	3/4/2020	91.	Des. Inspection Frequency:	24 Months
92.	Critical Feature Inspection:	A: N	B: N	C: N	
93.	Date:	A:	B:	C:	

Unofficial Sufficiency Rating: 85.0
Unofficial Structural and Functional Classification: 2 (FUNCTIONALLY OBSOLETE)



LOOKING NORTH FROM ROAD



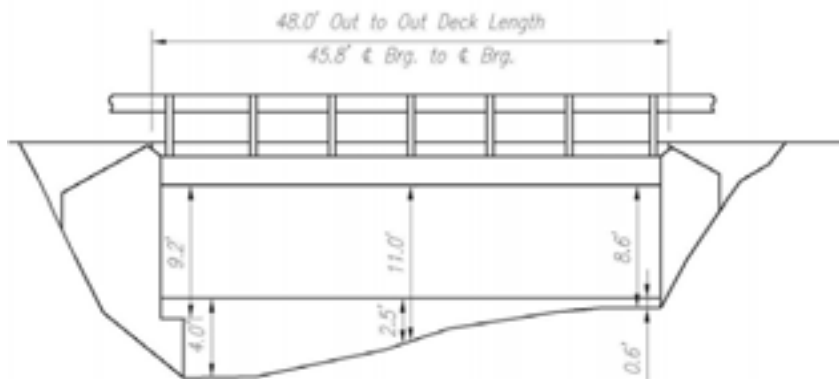
LOOKING SOUTH FROM ROAD



LOOKING WEST THROUGH CHANNEL



LOOKING SOUTH AT CRACK IN BEAM 9 AT EAST COPING



See Additional Photographs

See on Township Map

FLOYD COUNTY - BRIDGE NO. 22-00041
ST MARY'S RD over LITTLE INDIAN CREEK

STRUCTURE INVENTORY AND APPRAISAL REPORT - 1

NBI Number: 2200040
 Facility Carried: ST MARY'S RD

Bridge Number: 22-00041
 Feature(s) Intersected: LITTLE INDIAN CREEK

IDENTIFICATION

1. State:	185 (INDIANA)	4. City/Town:	00000 ()
8. NBI Number:	2200040		
5. Inventory Route On:	1-4-2- 0-0	98. Border Bridge:	
2. District:	05 (SEYMOUR)	99. Border Bridge Number:	
3. County:	022 (FLOYD)		
6. Feat Intersected:	LITTLE INDIAN CREEK	11. Mile Point (over):	0
7. Facility Carried:	ST MARY'S RD	16. Latitude:	38.35278
9. Location:	00.40 S of CHAMPION RD	17. Longitude:	-85.864433

STRUCTURE DATA

43A. Structure Type - Main Span:	5 (PRESTRESSED CONCRETE)	44. Structure Type - Approach:	000
43B. Structure Type - Main Span - Const.	05 (ADJACENT BOX BEAM)	45. Number of Spans - Main:	1
107. Deck Structure Type:	2 (CONCRETE PRECAST)	46. Number of Spans - Approach:	0000
108A. Wearing Surface:	6 (BITUMINOUS)	108B. Membrane:	8 (UNKNOWN)
108C. Protection	0 (NONE)		

AGE OF SERVICE

27. Year Built:	1966	106. Reconstructed:	0
42A. Type of Service Over:	1 (HIGHWAY)	42B. Type of Service Under:	5 (WATERWAY)
28A. Lanes on Structure:	2	28B. Lanes Under Structure:	0
29. ADT - Over:	2590 VPD	30. ADT Year Over:	2016
114. Future ADT:	3815 VPD	115. Future ADT Year:	2036
109. Average Truck Traffic:	5 %Trucks	19. Bypass Detour Length:	4 mi.

GEOMETRIC DATA

48. Maximum Span Length:	45.8 ft.	49. Structure Length:	48 ft.
50A. Sidewalk/Curb Left:	0.0 ft.	50B. Sidewalk/Curb Right:	0.0 ft.
51. Bridge Roadway Width:	25.4 ft.	52. Deck Width (O-O)	27.2 ft.
32. Approach Roadway Width:	24 ft.	33. Bridge Median:	0 (NO MEDIAN)
34. Skew:	0 Degree(s)	35. Structure Flared:	0 (NO FLARE)
10. Defense Vertical Clearance:	99.99	53. Vertical Clearance/Deck:	99.99 ft.
47. Total Horiz. Clearance:	26.7 ft.	54A. Min Vert Clear Code:	N
55A. Min Latr. Cl. Right - Code:	N	54B. Underclearance:	0 ft.
55B. Lateral Right:	0 ft.	56. Lateral Left:	0 ft.

STRUCTURE INVENTORY AND APPRAISAL REPORT - 2

NBI Number: 2200040
 Facility Carried: ST MARY'S RD

Bridge Number: 22-00041
 Feature(s) Intersected: LITTLE INDIAN CREEK

NAVIGATION

38. Navigational Control: 0 39. Navigational Vertical Clearance: 0 ft. 111. Pier/Abutment Protection:		40. Navigational Horizontal Clearance: 0 ft. 116. Vertical Clearance - Lift Bridge: ft.
---	--	--

CLASSIFICATION

112. NBIS Bridge Length: Y 104. Highway System - Over: 0 (NOT ON NHS) 26. Func. Class - Over: 08 (RURAL - MINOR COLLECTOR) 100. Defense Highway Des: 0 102. Direction of Traffic: 2 (2-WAY TRAFFIC) 110. Des. Nat. Network: 0 21. Maint. Responsibility: 02 (COUNTY HIGHWAY AGENCY) 37. Historical Significance: 5 (NOT ELIGIBLE)		12. Base Highway Network: 0 13A. LRS Inventory Route: 13B. LRS Inventory Subroute: 101. Parallel Structure Des: N 103. Temporary Structure Des: 20. Toll: 3 (ON FREE ROAD-NO TOLL) 22. Owner: 02 (COUNTY HIGHWAY AGENCY)
---	--	--

CONDITION

58. Deck:	Material: CONCRETE	Rating:	7
GOOD - LOW BRIDGE RAILING			
58.01. Wearing Surface:	Material: BITUMINOUS (6")	Rating:	7
GOOD - LONGITUDINAL CRACKS			
59. Superstructure:	Material: CONCRETE	Rating:	5
FAIR - LEAKS BETWEEN BEAMS, HL CRACKS IN BTM. OF W COPING BEAM AT N ABUTMENT, 1/4" CRACK IN BTM. OF E. COPING BM, AND IN COPING OF BM FROM S ABUTMENT TO MID SPAN WITH RUST STAINS. A FEW HAIRLINE CRACKS NEAR SOUTH ABUTMENT.			
60. Substructure:	Material: CONCRETE	Rating:	6
SATIS - SLIGHTLY UNDERMINED SE CORNER, APPROX 1'			
61. Channel:	Material: RIPRAP & NATURAL	Rating:	6
SATIS - FLOW AGAINST SOUTHEAST BANK, AGGREDATION, WINDING RIPRAP BEHIND SE WINGWALL			
62. Culvert/Ret:	Material: N/A	Rating:	N
N/A			

LOAD RATING AND POSTING

31. Design Load: 4 (H 20) 64. Operating Rating: 53 66. Inventory Rating: 31 66B. Gross Tons or H Rating: 23 Tons 41. Open, Posted, or Closed: A (OPEN)		63. Oper Rating Method: 3 (LOAD RESISTANCE FACTOR (LRFR)) 65. Inv Rating Method: 3 (LOAD AND RESISTANCE FACTOR (LRFR)) 66C. Tons Posted: Tons 66D. Date Posted/Closed: 70. Bridge Posting: 5 (EQUAL TO OR ABOVE LEGAL LOADS)
--	--	--

STRUCTURE INVENTORY AND APPRAISAL REPORT - 3

NBI Number: 2200040
Facility Carried: ST MARY'S RD

Bridge Number: 22-00041
Feature(s) Intersected: LITTLE INDIAN CREEK

APPRAISAL

67.	Structural:	5
68.	Geometry:	2
69.	Underclearance:	N
71.	Waterway Adequacy:	6
36A.	Traffic Safety Features (Bridge Railings):	0 (DOES NOT MEET ACCEPTABLE STANDARDS/SAFETY FEATURE IS REQUIRED)
36B.	Traffic Safety Features (Transitions):	0 (DOES NOT MEET ACCEPTABLE STANDARDS/SAFETY FEATURE IS REQUIRED)
36C.	Traffic Safety Features (Approach Guardrail):	0 (DOES NOT MEET ACCEPTABLE STANDARDS/SAFETY FEATURE IS REQUIRED)
36D.	Traffic Safety Features (Approach Guardrail Ends):	0 (DOES NOT MEET ACCEPTABLE STANDARDS/SAFETY FEATURE IS REQUIRED)
72.	Roadway Alignment:	8 - BR. ON SLIGHT HUMP, SLT. CURVE EA. END
	Material:	BITUMINOUS
	Comments:	LONG. CRACKS, TRANS. CRACKS AT BRIDGE ENDS
113.	Scour Critical Bridges:	3 (SCOUR CRITICAL - UNSTABLE)
	Comments:	

PROPOSED IMPROVEMENTS

75A.	Type of Work:	31 (REPLACE DUE TO DETERIORATION AND SCOUR.)
75B.	Work Done By:	1 (CONTRACT)
76.	Improvement Length:	70 ft.
94.	Bridge Improvement Costs:	329 x 1000
95.	Roadway Improvement Costs:	184 x 1000
96.	Total Project Cost:	648 x 1000
97.	Year of Cost Estimate:	2020

RECOMMENDED MAINTENANCE

UNTIL REPLACEMENT, RECOMMEND INSTALLING CURRENT STD. BRIDGE & APPR. RAIL W/END TREATMENT AND NE & SW B.E.M.'S AND PLACING RIPRAP AT S ABUTMENT.

INSPECTION DATA

90.	Date:	3/2/2020	91.	Des. Inspection Frequency:	24 Months
92.	Critical Feature Inspection:	A: N	B: N	C: N	
93.	Date:	A:	B:	C:	

Unofficial Sufficiency Rating: 65.5
Unofficial Structural and Functional Classification: 2 (FUNCTIONALLY OBSOLETE)



LOOKING EAST FROM ROAD



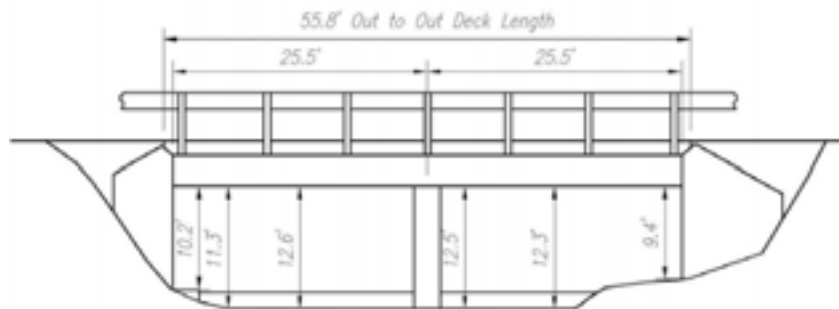
LOOKING WEST FROM ROAD



LOOKING SOUTH DOWNSTREAM



LOOKING WEST AT REPAIRED BEAM 3



See Additional Photographs

See on Township Map

STRUCTURE INVENTORY AND APPRAISAL REPORT - 1

NBI Number: 2200041 Facility Carried: SPICKERT KNOB RD	Bridge Number: 22-00042 Feature(s) Intersected: LITTLE INDIAN CREEK
---	--

IDENTIFICATION

1. State: 185 (INDIANA) 8. NBI Number: 2200041 5. Inventory Route On: 1-4-2- 0-0 2. District: 05 (SEYMOUR) 3. County: 022 (FLOYD) 6. Feat Intersected: LITTLE INDIAN CREEK 7. Facility Carried: SPICKERT KNOB RD 9. Location: 00.00 INT OF SAINT MARYS	4. City/Town: 00000 () 98. Border Bridge: 99. Border Bridge Number: 11. Mile Point (over): 0 16. Latitude: 38.33512 17. Longitude: -85.870735
---	--

STRUCTURE DATA

43A. Structure Type - Main Span: 5 (PRESTRESSED CONCRETE) 43B. Structure Type - Main Span - Const. 05 (ADJACENT BOX BEAM) 107. Deck Structure Type: 2 (CONCRETE PRECAST) 108A. Wearing Surface: 6 (BITUMINOUS) 108C. Protection 0 (NONE)	44. Structure Type - Approach: 000 45. Number of Spans - Main: 2 46. Number of Spans - Approach: 0000 108B. Membrane: 8 (UNKNOWN)
--	--

AGE OF SERVICE

27. Year Built: 1976 42A. Type of Service Over: 1 (HIGHWAY) 28A. Lanes on Structure: 2 29. ADT - Over: 4291 VPD 114. Future ADT: 6320 VPD 109. Average Truck Traffic: 3 %Trucks	106. Reconstructed: 0 42B. Type of Service Under: 5 (WATERWAY) 28B. Lanes Under Structure: 0 30. ADT Year Over: 2016 115. Future ADT Year: 2036 19. Bypass Detour Length: 1 mi.
--	--

GEOMETRIC DATA

48. Maximum Span Length: 25.5 ft. 50A. Sidewalk/Curb Left: 0.0 ft. 51. Bridge Roadway Width: 32.7 ft. 32. Approach Roadway Width: 24 ft. 34. Skew: 25 Degree(s) 10. Defense Vertical Clearance: 99.99 47. Total Horiz. Clearance: 32.7 ft. 55A. Min Latr. Cl. Right - Code: N 55B. Lateral Right: 0 ft.	49. Structure Length: 55.7 ft. 50B. Sidewalk/Curb Right: 0.0 ft. 52. Deck Width (O-O) 33.2 ft. 33. Bridge Median: 0 (NO MEDIAN) 35. Structure Flared: 0 (NO FLARE) 53. Vertical Clearance/Deck: 99.99 ft. 54A. Min Vert Clear Code: N 54B. Underclearance: 0 ft. 56. Lateral Left: 0 ft.
---	--

STRUCTURE INVENTORY AND APPRAISAL REPORT - 2

NBI Number: 2200041
 Facility Carried: SPICKERT KNOB RD

Bridge Number: 22-00042
 Feature(s) Intersected: LITTLE INDIAN CREEK

NAVIGATION

38. Navigational Control: 0	40. Navigational Horizontal Clearance: 0 ft.
39. Navigational Vertical Clearance: 0 ft.	116. Vertical Clearance - Lift Bridge: ft.
111. Pier/Abutment Protection:	

CLASSIFICATION

112. NBIS Bridge Length: Y	12. Base Highway Network: 0
104. Highway System - Over: 0 (NOT ON NHS)	13A. LRS Inventory Route:
26. Func. Class - Over: 09 (RURAL - LOCAL)	13B. LRS Inventory Subroute:
100. Defense Highway Des: 0	101. Parallel Structure Des: N
102. Direction of Traffic: 2 (2-WAY TRAFFIC)	103. Temporary Structure Des:
110. Des. Nat. Network: 0	20. Toll: 3 (ON FREE ROAD-NO TOLL)
21. Maint. Responsibility: 02 (COUNTY HIGHWAY AGENCY)	22. Owner: 02 (COUNTY HIGHWAY AGENCY)
37. Historical Significance: 5 (NOT ELIGIBLE)	

CONDITION

58. Deck:	Material: CONCRETE	Rating:	7
GOOD - NO MAJOR DEFECTS			
58.01. Wearing Surface:	Material: BITUMINOUS (4")	Rating:	6
SATIS - CRACKS OVER PIER & END BENTS			
59. Superstructure:	Material: CONCRETE	Rating:	7
GOOD - SMALL SPALLS ON BOTTOM EDGES, WATER SEEPAGE WITH EFFL. BETWEEN BEAM 10 AND 11 EAST SPAN			
60. Substructure:	Material: CONCRETE	Rating:	6
SATIS - 2 VERT. HL CRACKS W/ EFFL. IN PIER; W ABUT HAS VERT. HL CRACKS UNDER BEAMS 2 AND 3, 1/16" VERT. CRACKS UNDER BEAMS 6, 8, AND 11, HALF OF TOP OF FTG. EXP., 1 VERT. HL CRACK IN SW WINGWALL, 2 VERT. HL CRACKS W/ EFFL. IN NW WINGWALL; E ABUT HAS VERT. HL CRACKS UNDER BEAMS 2, 3, AND 8, 1/16" VERT. CRACKS UNDER BEAMS 6 AND 10, FTG. EXP. FULL LENGTH			
61. Channel:	Material: NATURAL ROCK & GRAVEL BOTTOM	Rating:	6
SATIS - AGGRADATION, DRIFT JAM, AT PIER UNDERCUT TREE LEANING OVER BRIDGE.			
62. Culvert/Ret:	Material: N/A	Rating:	N
N/A			

LOAD RATING AND POSTING

31. Design Load: 5 (HS 20)	63. Oper Rating Method: 3 (LOAD RESISTANCE FACTOR (LRFR))
64. Operating Rating: 68	65. Inv Rating Method: 3 (LOAD AND RESISTANCE FACTOR (LRFR))
66. Inventory Rating: 49	66C. Tons Posted: Tons
66B. Gross Tons or H Rating: 29 Tons	66D. Date Posted/Closed:
41. Open, Posted, or Closed: A (OPEN)	70. Bridge Posting: 5 (EQUAL TO OR ABOVE LEGAL LOADS)

STRUCTURE INVENTORY AND APPRAISAL REPORT - 3

NBI Number: 2200041
Facility Carried: SPICKERT KNOB RD

Bridge Number: 22-00042
Feature(s) Intersected: LITTLE INDIAN CREEK

APPRAISAL

67.	Structural:	6
68.	Geometry:	4
69.	Underclearance:	N
71.	Waterway Adequacy:	7
36A.	Traffic Safety Features (Bridge Railings):	0 (DOES NOT MEET ACCEPTABLE STANDARDS/SAFETY FEATURE IS REQUIRED)
36B.	Traffic Safety Features (Transitions):	0 (DOES NOT MEET ACCEPTABLE STANDARDS/SAFETY FEATURE IS REQUIRED)
36C.	Traffic Safety Features (Approach Guardrail):	0 (DOES NOT MEET ACCEPTABLE STANDARDS/SAFETY FEATURE IS REQUIRED)
36D.	Traffic Safety Features (Approach Guardrail Ends):	0 (DOES NOT MEET ACCEPTABLE STANDARDS/SAFETY FEATURE IS REQUIRED)
72.	Roadway Alignment:	6 - BR. ON HUMP, CURVE E., INT. W. END BR
	Material:	BITUMINOUS
	Comments:	SETTLED SLIGHTLY, CRACKS
113.	Scour Critical Bridges:	5 (STABLE - WITHIN LIMITS)
	Comments:	

PROPOSED IMPROVEMENTS

75A.	Type of Work:	(NO WORK NEEDED.)
75B.	Work Done By:	0
76.	Improvement Length:	48 ft.
94.	Bridge Improvement Costs:	118 x 1000
95.	Roadway Improvement Costs:	174 x 1000
96.	Total Project Cost:	354 x 1000
97.	Year of Cost Estimate:	2018

RECOMMENDED MAINTENANCE

RECOMMEND INSTALLING CURRENT STD. BRIDGE & APPR. RAIL W/END TREATMENT AND NW & SE B.E.M.'S, AND PLACING RIPRAP BEHIND SW WING. REMOVE TREE SOUTH OF BRIDGE THAT IS LEANING OVER THE DOCK.

INSPECTION DATA

90.	Date:	3/2/2020	91.	Des. Inspection Frequency:	24 Months
92.	Critical Feature Inspection:	A: N	B: N	C: N	
93.	Date:	A:	B:	C:	

Unofficial Sufficiency Rating: 94.6
Unofficial Structural and Functional Classification: 0 (OK)



LOOKING NORTH FROM ROAD



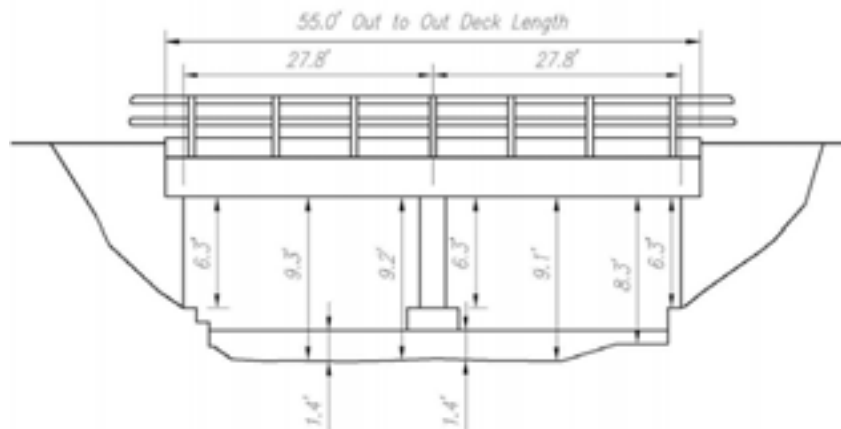
LOOKING SOUTH FROM ROAD



LOOKING EAST AT SILT BUILD-UP IN NORTH SPAN



LOOKING NORTH AT SOUTH SPAN WEST COPING T-BEAM



See Additional Photographs

See on Township Map

FLOYD COUNTY - BRIDGE NO. 22-00043
 SCOTTSVILLE RD over LITTLE INDIAN CREEK

STRUCTURE INVENTORY AND APPRAISAL REPORT - 1

NBI Number: 2200042 Facility Carried: SCOTTSVILLE RD	Bridge Number: 22-00043 Feature(s) Intersected: LITTLE INDIAN CREEK
---	--

IDENTIFICATION

1. State: 185 (INDIANA)	4. City/Town: 00000 ()
8. NBI Number: 2200042	98. Border Bridge:
5. Inventory Route On: 1-4-1- 0-0	99. Border Bridge Number:
2. District: 05 (SEYMOUR)	11. Mile Point (over): 0
3. County: 022 (FLOYD)	16. Latitude: 38.3283
6. Feat Intersected: LITTLE INDIAN CREEK	17. Longitude: -85.873543
7. Facility Carried: SCOTTSVILLE RD	
9. Location: 00.30 N OF PAOLI PIKE	

STRUCTURE DATA

43A. Structure Type - Main Span: 2 (CONTINUOUS CONCRETE)	44. Structure Type - Approach: 000
43B. Structure Type - Main Span - Const. 04 (TEE BEAM)	45. Number of Spans - Main: 2
107. Deck Structure Type: 1 (CONCRETE CAST-IN-PLACE)	46. Number of Spans - Approach: 0000
108A. Wearing Surface: 6 (BITUMINOUS)	108B. Membrane: 8 (UNKNOWN)
108C. Protection 0 (NONE)	

AGE OF SERVICE

27. Year Built: 1930	106. Reconstructed: 1971
42A. Type of Service Over: 5 (HIGHWAY/PEDESTRIAN)	42B. Type of Service Under: 5 (WATERWAY)
28A. Lanes on Structure: 2	28B. Lanes Under Structure: 0
29. ADT - Over: 8534 VPD	30. ADT Year Over: 2016
114. Future ADT: 12571 VPD	115. Future ADT Year: 2036
109. Average Truck Traffic: 6 %Trucks	19. Bypass Detour Length: 6 mi.

GEOMETRIC DATA

48. Maximum Span Length: 27.8 ft.	49. Structure Length: 55 ft.
50A. Sidewalk/Curb Left: 0.8 ft.	50B. Sidewalk/Curb Right: 4.0 ft.
51. Bridge Roadway Width: 30.9 ft.	52. Deck Width (O-O): 39.8 ft.
32. Approach Roadway Width: 30 ft.	33. Bridge Median: 0 (NO MEDIAN)
34. Skew: 25 Degree(s)	35. Structure Flared: 0 (NO FLARE)
10. Defense Vertical Clearance: 99.99	53. Vertical Clearance/Deck: 99.99 ft.
47. Total Horiz. Clearance: 30.9 ft.	54A. Min Vert Clear Code: N
55A. Min Latr. Cl. Right - Code: N	54B. Underclearance: 0 ft.
55B. Lateral Right: 0 ft.	56. Lateral Left: 0 ft.

STRUCTURE INVENTORY AND APPRAISAL REPORT - 2

NBI Number: 2200042 Facility Carried: SCOTTSVILLE RD	Bridge Number: 22-00043 Feature(s) Intersected: LITTLE INDIAN CREEK
---	--

NAVIGATION

38. Navigational Control: 0	40. Navigational Horizontal Clearance: 0 ft.
39. Navigational Vertical Clearance: 0 ft.	116. Vertical Clearance - Lift Bridge: ft.
111. Pier/Abutment Protection:	

CLASSIFICATION

112. NBIS Bridge Length: Y	12. Base Highway Network: 0
104. Highway System - Over: 0 (NOT ON NHS)	13A. LRS Inventory Route:
26. Func. Class - Over: 07 (RURAL - MAJOR COLLECTOR)	13B. LRS Inventory Subroute:
100. Defense Highway Des: 0	101. Parallel Structure Des: N
102. Direction of Traffic: 2 (2-WAY TRAFFIC)	103. Temporary Structure Des:
110. Des. Nat. Network: 0	20. Toll: 3 (ON FREE ROAD-NO TOLL)
21. Maint. Responsibility: 02 (COUNTY HIGHWAY AGENCY)	22. Owner: 02 (COUNTY HIGHWAY AGENCY)
37. Historical Significance: 5 (NOT ELIGIBLE)	

CONDITION

58. Deck:	Material: CONCRETE	Rating:	6
SATIS - SPALLS, EXPOSED REIN. IN BOTTOM OF DECK IN S SPAN, EDGE SPALLING/ DETERIORATION AT W COPING WITH HEAVY EFFL.			
58.01. Wearing Surface:	Material: BITUMINOUS (10")	Rating:	7
GOOD - EXCESS DEPTH & DEAD LOAD			
59. Superstructure:	Material: CONCRETE	Rating:	5
FAIR - T BEAMS CRACKED WITH EFFL., SPALLED EXPOSED REIN., TOP EDGE OF BOX BEAMS HAVE HORIZONTAL CRACKING WITH EFFL./ DETERIORATION AT W COPING ALSO DELAMINATIONS AND RUST STAINS. BOX BEAMS HAVE HEAVY EFFL. ON EXTERIOR OF WEST COPING BEAM. INT. T-BEAMS ARE SATIS WITH SMALL SPALLS.			
60. Substructure:	Material: CONCRETE	Rating:	5
FAIR - HEAVY EFFL. ON PIER, VERT HL CRACKS IN OLDER E SUBSTRUCTURE, ALL FOOTINGS EXP. SOME UNDERPINNED, ALL FOUNDED ON ROCK			
61. Channel:	Material: NATURAL ROCK BOTTOM	Rating:	6
SATIS - DRIFT JAM ON PIER NORTH SPAN SILTED WITH NO FLOW AT INSP. THROUGH NORTH SPAN.			
62. Culvert/Ret:	Material: N/A	Rating:	N
N/A			

LOAD RATING AND POSTING

31. Design Load: 5 (HS 20)	63. Oper Rating Method: 0 (FIELD EVAL AND ENG JUDGEMENT)
64. Operating Rating: 36	65. Inv Rating Method: 0 (FIELD EVAL AND ENG JUDGEMENT)
66. Inventory Rating: 36	66C. Tons Posted: Tons
66B. Gross Tons or H Rating: 20 Tons	66D. Date Posted/Closed:
41. Open, Posted, or Closed: A (OPEN)	70. Bridge Posting: 5 (EQUAL TO OR ABOVE LEGAL LOADS)

STRUCTURE INVENTORY AND APPRAISAL REPORT - 3

NBI Number: 2200042
 Facility Carried: SCOTTSVILLE RD

Bridge Number: 22-00043
 Feature(s) Intersected: LITTLE INDIAN CREEK

APPRAISAL

67.	Structural:	5
68.	Geometry:	3
69.	Underclearance:	N
71.	Waterway Adequacy:	8
36A.	Traffic Safety Features (Bridge Railings):	0 (DOES NOT MEET ACCEPTABLE STANDARDS/SAFETY FEATURE IS REQUIRED)
36B.	Traffic Safety Features (Transitions):	0 (DOES NOT MEET ACCEPTABLE STANDARDS/SAFETY FEATURE IS REQUIRED)
36C.	Traffic Safety Features (Approach Guardrail):	0 (DOES NOT MEET ACCEPTABLE STANDARDS/SAFETY FEATURE IS REQUIRED)
36D.	Traffic Safety Features (Approach Guardrail Ends):	0 (DOES NOT MEET ACCEPTABLE STANDARDS/SAFETY FEATURE IS REQUIRED)
72.	Roadway Alignment:	8 - BRIDGE ON HUMP, MULTIPLE HORIZ CURVES
	Material:	BITUMINOUS
	Comments:	SEALED CRACKS, NB LANE SETTLING AT THE NORTH END OF THE BRIDGE
113.	Scour Critical Bridges:	5 (STABLE - WITHIN LIMITS)
	Comments:	

PROPOSED IMPROVEMENTS

75A.	Type of Work:	31 (REPLACE BRIDGE DUE TO DETERIORATION.)
75B.	Work Done By:	1 (CONTRACT)
76.	Improvement Length:	78 ft.
94.	Bridge Improvement Costs:	365 x 1000
95.	Roadway Improvement Costs:	184 x 1000
96.	Total Project Cost:	693 x 1000
97.	Year of Cost Estimate:	2020

RECOMMENDED MAINTENANCE

RECOMMEND INSTALLING CURRENT STD. BRIDGE & APPR. RAIL W/END TREATMENT AND NE & SW B.E.M.'S.

INSPECTION DATA

90.	Date:	3/2/2020	91.	Des. Inspection Frequency:	24 Months
92.	Critical Feature Inspection:	A: N	B: N	C: N	
93.	Date:	A:	B:	C:	

Unofficial Sufficiency Rating: 66.3

Unofficial Structural and Functional Classification: 2 (FUNCTIONALLY OBSOLETE)



LOOKING EAST FROM ROAD



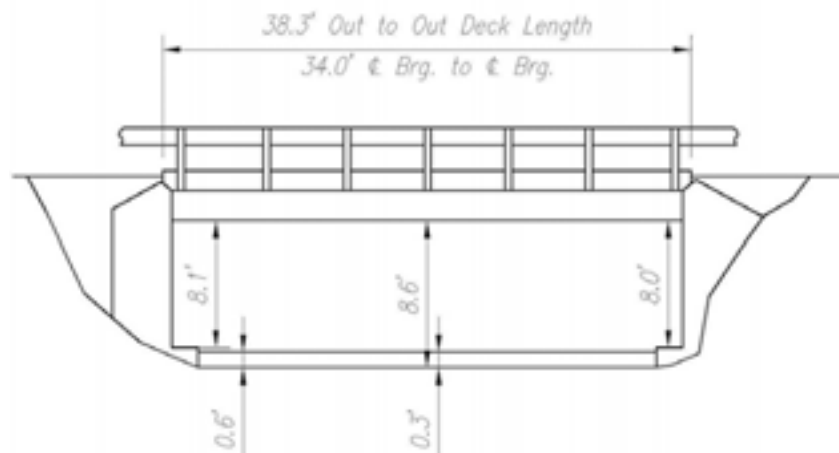
LOOKING WEST FROM ROAD



LOOKING SOUTH THROUGH CHANNEL



LOOKING WEST AT REPAIRED BEAM 3



See Additional Photographs

See on Township Map

FLOYD COUNTY - BRIDGE NO. 22-00044
ST MARY'S RD over LITTLE INDIAN CREEK

STRUCTURE INVENTORY AND APPRAISAL REPORT - 1

NBI Number: 2200043
 Facility Carried: ST MARY'S RD

Bridge Number: 22-00044
 Feature(s) Intersected: LITTLE INDIAN CREEK

IDENTIFICATION

1. State:	185 (INDIANA)	4. City/Town:	00000 ()
8. NBI Number:	2200043		
5. Inventory Route On:	1-4-2- 0-0	98. Border Bridge:	
2. District:	05 (SEYMOUR)	99. Border Bridge Number:	
3. County:	022 (FLOYD)		
6. Feat Intersected:	LITTLE INDIAN CREEK	11. Mile Point (over):	0
7. Facility Carried:	ST MARY'S RD	16. Latitude:	38.33875
9. Location:	00.20 N OF SPICKERT KNB	17. Longitude:	-85.86901

STRUCTURE DATA

43A. Structure Type - Main Span:	5 (PRESTRESSED CONCRETE)	44. Structure Type - Approach:	000
43B. Structure Type - Main Span - Const.	05 (ADJACENT BOX BEAM)	45. Number of Spans - Main:	1
107. Deck Structure Type:	2 (CONCRETE PRECAST)	46. Number of Spans - Approach:	0000
108A. Wearing Surface:	6 (BITUMINOUS)	108B. Membrane:	8 (UNKNOWN)
108C. Protection	0 (NONE)		

AGE OF SERVICE

27. Year Built:	1964	106. Reconstructed:	1999
42A. Type of Service Over:	1 (HIGHWAY)	42B. Type of Service Under:	5 (WATERWAY)
28A. Lanes on Structure:	2	28B. Lanes Under Structure:	0
29. ADT - Over:	1651 VPD	30. ADT Year Over:	2016
114. Future ADT:	2432 VPD	115. Future ADT Year:	2036
109. Average Truck Traffic:	5 %Trucks	19. Bypass Detour Length:	1 mi.

GEOMETRIC DATA

48. Maximum Span Length:	34 ft.	49. Structure Length:	38.3 ft.
50A. Sidewalk/Curb Left:	0.0 ft.	50B. Sidewalk/Curb Right:	0.0 ft.
51. Bridge Roadway Width:	27.7 ft.	52. Deck Width (O-O)	28.5 ft.
32. Approach Roadway Width:	21 ft.	33. Bridge Median:	0 (NO MEDIAN)
34. Skew:	25 Degree(s)	35. Structure Flared:	0 (NO FLARE)
10. Defense Vertical Clearance:	99.99	53. Vertical Clearance/Deck:	99.99 ft.
47. Total Horiz. Clearance:	27.7 ft.	54A. Min Vert Clear Code:	N
55A. Min Latr. Cl. Right - Code:	N	54B. Underclearance:	0 ft.
55B. Lateral Right:	0 ft.	56. Lateral Left:	0 ft.

STRUCTURE INVENTORY AND APPRAISAL REPORT - 2

NBI Number: 2200043
 Facility Carried: ST MARY'S RD

Bridge Number: 22-00044
 Feature(s) Intersected: LITTLE INDIAN CREEK

NAVIGATION

38. Navigational Control:	0	40. Navigational Horizontal Clearance:	0 ft.
39. Navigational Vertical Clearance:	0 ft.	116. Vertical Clearance - Lift Bridge:	ft.
111. Pier/Abutment Protection:			

CLASSIFICATION

112. NBIS Bridge Length:	Y	12. Base Highway Network:	0
104. Highway System - Over:	0 (NOT ON NHS)	13A. LRS Inventory Route:	
26. Func. Class - Over:	08 (RURAL - MINOR COLLECTOR)	13B. LRS Inventory Subroute:	
100. Defense Highway Des:	0	101. Parallel Structure Des:	N
102. Direction of Traffic:	2 (2-WAY TRAFFIC)	103. Temporary Structure Des:	
110. Des. Nat. Network:	0	20. Toll:	3 (ON FREE ROAD-NO TOLL)
21. Maint. Responsibility:	02 (COUNTY HIGHWAY AGENCY)	22. Owner:	02 (COUNTY HIGHWAY AGENCY)
37. Historical Significance:	5 (NOT ELIGIBLE)		

CONDITION

58. Deck:	Material: CONCRETE	Rating:	7
GOOD - HAIRLINE CRACKS			
58.01. Wearing Surface:	Material: BITUMINOUS (5")	Rating:	6
SATIS - CRACKS, ABUTMENT WIDENED AT SOUTH COPING			
59. Superstructure:	Material: CONCRETE	Rating:	5
FAIR - BEAM 3 PATCHED, BEAM 6 HAIRLINE CRACK 10' LONG FROM E ABUTMENT SEALED, WATER SEEPAGE BETWEEN BEAMS.			
60. Substructure:	Material: CONCRETE	Rating:	6
SATIS - VERTICAL HAIRLINE CRACKS, ABUTMENT WIDENED AT SOUTH COPING			
61. Channel:	Material: NATURAL ROCK BOTTOM, RIPRAP	Rating:	7
GOOD - LARGE TREES UPSTREAM			
62. Culvert/Ret:	Material: N/A	Rating:	N
N/A			

LOAD RATING AND POSTING

31. Design Load:	5 (HS 20)	63. Oper Rating Method:	0 (FIELD EVAL AND ENG JUDGEMENT)
64. Operating Rating:	36	65. Inv Rating Method:	0 (FIELD EVAL AND ENG JUDGEMENT)
66. Inventory Rating:	36	66C. Tons Posted:	Tons
66B. Gross Tons or H Rating:	20 Tons	66D. Date Posted/Closed:	
41. Open, Posted, or Closed:	A (OPEN)	70. Bridge Posting:	5 (EQUAL TO OR ABOVE LEGAL LOADS)

STRUCTURE INVENTORY AND APPRAISAL REPORT - 3

NBI Number: 2200043
 Facility Carried: ST MARY'S RD

Bridge Number: 22-00044
 Feature(s) Intersected: LITTLE INDIAN CREEK

APPRAISAL

67.	Structural:	5
68.	Geometry:	4
69.	Underclearance:	N
71.	Waterway Adequacy:	8
36A.	Traffic Safety Features (Bridge Railings):	1 (MEETS ACCEPTABLE STANDARDS)
36B.	Traffic Safety Features (Transitions):	1 (MEETS ACCEPTABLE STANDARDS)
36C.	Traffic Safety Features (Approach Guardrail):	1 (MEETS ACCEPTABLE STANDARDS)
36D.	Traffic Safety Features (Approach Guardrail Ends):	1 (MEETS ACCEPTABLE STANDARDS)
72.	Roadway Alignment:	6 - DIP EAST END, SHARP CURVE & INT. W END
	Material:	BITUMINOUS
	Comments:	SETTLED, UNEVEN, FEW CRACKS, SETTLING IN EASTBOUND LANE AT EAST END OF BRIDGE
113.	Scour Critical Bridges:	5 (STABLE - WITHIN LIMITS)
	Comments:	

PROPOSED IMPROVEMENTS

75A.	Type of Work:	(NO WORK NEEDED.)
75B.	Work Done By:	0
76.	Improvement Length:	0 ft.
94.	Bridge Improvement Costs:	0 x 1000
95.	Roadway Improvement Costs:	0 x 1000
96.	Total Project Cost:	0 x 1000
97.	Year of Cost Estimate:	

RECOMMENDED MAINTENANCE

RECOMMEND INSTALLING CURRENT STD. NW B.E.M.'S.

INSPECTION DATA

90.	Date:	3/2/2020	91.	Des. Inspection Frequency:	24 Months
92.	Critical Feature Inspection:	A: N	B: N	C: N	
93.	Date:	A:	B:	C:	
	Unofficial Sufficiency Rating:	78.0			
	Unofficial Structural and Functional Classification:	0 (OK)			



LOOKING WEST FROM ROAD



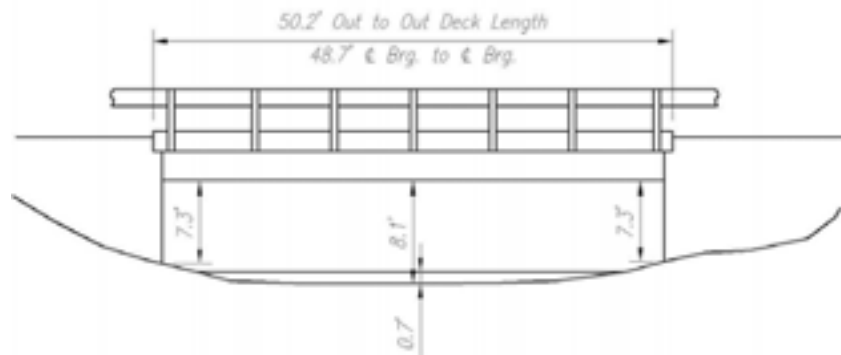
LOOKING EAST FROM ROAD



LOOKING SOUTH DOWNSTREAM



HAIRLINE CRACK IN NORTH COPING BEAM AT



See Additional Photographs

See on Township Map

STRUCTURE INVENTORY AND APPRAISAL REPORT - 1

NBI Number: 2200044
 Facility Carried: PAYNE/KOEHLER RD

Bridge Number: 22-00045
 Feature(s) Intersected: UPHILL RUN

IDENTIFICATION

1. State:	185 (INDIANA)	4. City/Town:	52326 (NEW ALBANY)
8. NBI Number:	2200044		
5. Inventory Route On:	1-5-1- 0-0	98. Border Bridge:	
2. District:	05 (SEYMOUR)	99. Border Bridge Number:	
3. County:	022 (FLOYD)		
6. Feat Intersected:	UPHILL RUN	11. Mile Point (over):	0
7. Facility Carried:	PAYNE/KOEHLER RD	16. Latitude:	38.34715
9. Location:	00.10 N OF FRINGE RD	17. Longitude:	-85.784828

STRUCTURE DATA

43A. Structure Type - Main Span:	5 (PRESTRESSED CONCRETE)	44. Structure Type - Approach:	000
43B. Structure Type - Main Span - Const.	05 (ADJACENT BOX BEAM)	45. Number of Spans - Main:	1
107. Deck Structure Type:	2 (CONCRETE PRECAST)	46. Number of Spans - Approach:	0000
108A. Wearing Surface:	1 (MONOLITHIC CONCRETE)	108B. Membrane:	8 (UNKNOWN)
108C. Protection	8 (UNKNOWN)		

AGE OF SERVICE

27. Year Built:	1995	106. Reconstructed:	0
42A. Type of Service Over:	1 (HIGHWAY)	42B. Type of Service Under:	5 (WATERWAY)
28A. Lanes on Structure:	2	28B. Lanes Under Structure:	0
29. ADT - Over:	1605 VPD	30. ADT Year Over:	2016
114. Future ADT:	2364 VPD	115. Future ADT Year:	2036
109. Average Truck Traffic:	5 %Trucks	19. Bypass Detour Length:	3 mi.

GEOMETRIC DATA

48. Maximum Span Length:	47.5 ft.	49. Structure Length:	50.2 ft.
50A. Sidewalk/Curb Left:	0.0 ft.	50B. Sidewalk/Curb Right:	0.0 ft.
51. Bridge Roadway Width:	27.9 ft.	52. Deck Width (O-O)	28.2 ft.
32. Approach Roadway Width:	23 ft.	33. Bridge Median:	0 (NO MEDIAN)
34. Skew:	0 Degree(s)	35. Structure Flared:	0 (NO FLARE)
10. Defense Vertical Clearance:	99.99	53. Vertical Clearance/Deck:	99.99 ft.
47. Total Horiz. Clearance:	27.9 ft.	54A. Min Vert Clear Code:	N
55A. Min Latr. Cl. Right - Code:	N	54B. Underclearance:	0 ft.
55B. Lateral Right:	0 ft.	56. Lateral Left:	0 ft.

STRUCTURE INVENTORY AND APPRAISAL REPORT - 2

NBI Number: 2200044
 Facility Carried: PAYNE/KOEHLER RD

Bridge Number: 22-00045
 Feature(s) Intersected: UPHILL RUN

NAVIGATION

38. Navigational Control:	0	40. Navigational Horizontal Clearance:	0 ft.
39. Navigational Vertical Clearance:	0 ft.	116. Vertical Clearance - Lift Bridge:	ft.
111. Pier/Abutment Protection:			

CLASSIFICATION

112. NBIS Bridge Length:	Y	12. Base Highway Network:	0
104. Highway System - Over:	0 (NOT ON NHS)	13A. LRS Inventory Route:	
26. Func. Class - Over:	08 (RURAL - MINOR COLLECTOR)	13B. LRS Inventory Subroute:	
100. Defense Highway Des:	0	101. Parallel Structure Des:	N
102. Direction of Traffic:	2 (2-WAY TRAFFIC)	103. Temporary Structure Des:	
110. Des. Nat. Network:	0	20. Toll:	3 (ON FREE ROAD-NO TOLL)
21. Maint. Responsibility:	02 (COUNTY HIGHWAY AGENCY)	22. Owner:	02 (COUNTY HIGHWAY AGENCY)
37. Historical Significance:	5 (NOT ELIGIBLE)		

CONDITION

58. Deck:	Material: CONCRETE	Rating:	7
GOOD - POURED SECTION OF NEW CONC. DECK OVER NEW PCBB AT S COPING (5'-5" WIDE), LONG. HL CRACKS IN OLDER CONC. DECK, MINOR POPOUTS			
58.01. Wearing Surface:	Material: CONCRETE	Rating:	7
GOOD - POPOUTS			
59. Superstructure:	Material: CONCRETE	Rating:	5
FAIR - HL CRACKS IN BTM. AND COPING OF N COPING BEAM AT 2 GDRL. POST CONNECTIONS			
60. Substructure:	Material: CONCRETE	Rating:	7
GOOD - MINOR HAIRLINE CRACKS			
61. Channel:	Material: NATURAL ROCK BOTTOM	Rating:	7
GOOD - MINOR DRIFT			
62. Culvert/Ret:	Material: N/A	Rating:	N
N/A			

LOAD RATING AND POSTING

31. Design Load:	5 (HS 20)	63. Oper Rating Method:	3 (LOAD RESISTANCE FACTOR (LRFR))
64. Operating Rating:	66	65. Inv Rating Method:	3 (LOAD AND RESISTANCE FACTOR (LRFR))
66. Inventory Rating:	54	66C. Tons Posted:	Tons
66B. Gross Tons or H Rating:	47 Tons	66D. Date Posted/Closed:	
41. Open, Posted, or Closed:	A (OPEN)	70. Bridge Posting:	5 (EQUAL TO OR ABOVE LEGAL LOADS)

STRUCTURE INVENTORY AND APPRAISAL REPORT - 3

NBI Number: 2200044
Facility Carried: PAYNE/KOEHLER RD

Bridge Number: 22-00045
Feature(s) Intersected: UPHILL RUN

APPRAISAL

67.	Structural:	5
68.	Geometry:	5
69.	Underclearance:	N
71.	Waterway Adequacy:	7
36A.	Traffic Safety Features (Bridge Railings):	1 (MEETS ACCEPTABLE STANDARDS)
36B.	Traffic Safety Features (Transitions):	1 (MEETS ACCEPTABLE STANDARDS)
36C.	Traffic Safety Features (Approach Guardrail):	1 (MEETS ACCEPTABLE STANDARDS)
36D.	Traffic Safety Features (Approach Guardrail Ends):	1 (MEETS ACCEPTABLE STANDARDS)
72.	Roadway Alignment:	8 - HILL & CURVE BOTH WAYS, DR NW & SW
	Material:	BITUMINOUS
	Comments:	ASPHALT APPROACHES
113.	Scour Critical Bridges:	8 (STABLE - EXCELLENT CONDITION)
	Comments:	

PROPOSED IMPROVEMENTS

75A.	Type of Work:	(NO WORK NEEDED.)
75B.	Work Done By:	0
76.	Improvement Length:	0 ft.
94.	Bridge Improvement Costs:	0 x 1000
95.	Roadway Improvement Costs:	0 x 1000
96.	Total Project Cost:	0 x 1000
97.	Year of Cost Estimate:	

RECOMMENDED MAINTENANCE

RECOMMEND INSTALLING CURRENT STD. NE & NW B.E.M.'S.

INSPECTION DATA

90.	Date:	3/2/2020	91.	Des. Inspection Frequency:	24 Months
92.	Critical Feature Inspection:	A: N	B: N	C: N	
93.	Date:	A:	B:	C:	
	Unofficial Sufficiency Rating:	80.0			
	Unofficial Structural and Functional Classification:	0 (OK)			



LOOKING WEST FROM ROAD



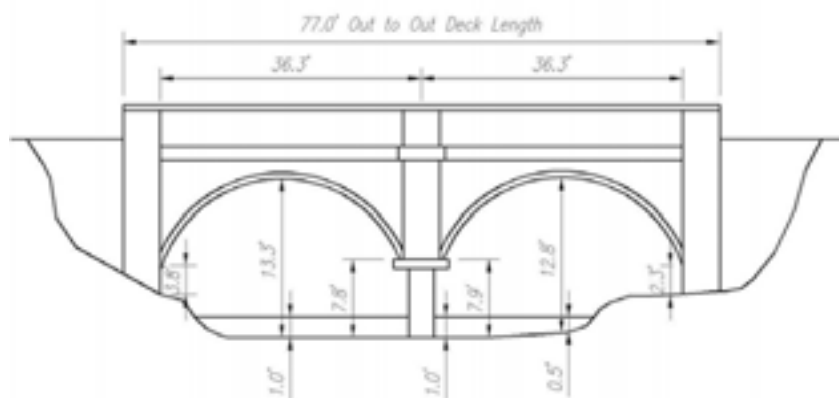
LOOKING EAST FROM ROAD



LOOKING SOUTH DOWNSTREAM



LOOKING WEST AT CRACKING, EFFL. ON WEST ABUT.,



See Additional
Photographs

See on
Township Map

FLOYD COUNTY - BRIDGE NO. 22-00046
PAOLI PIKE over LITTLE INDIAN CREEK

STRUCTURE INVENTORY AND APPRAISAL REPORT - 1

NBI Number: 2200045 Facility Carried: PAOLI PIKE	Bridge Number: 22-00046 Feature(s) Intersected: LITTLE INDIAN CREEK
---	--

IDENTIFICATION

1. State: 185 (INDIANA) 8. NBI Number: 2200045 5. Inventory Route On: 1-4-1- 0-0 2. District: 05 (SEYMOUR) 3. County: 022 (FLOYD) 6. Feat Intersected: LITTLE INDIAN CREEK 7. Facility Carried: PAOLI PIKE 9. Location: 00.10 W OF SCTTS'VILLE	4. City/Town: 00000 () 98. Border Bridge: 99. Border Bridge Number: 11. Mile Point (over): 0 16. Latitude: 38.3246 17. Longitude: -85.874771
---	---

STRUCTURE DATA

43A. Structure Type - Main Span: 1 (CONCRETE) 43B. Structure Type - Main Span - Const. 11 (DECK ARCH) 107. Deck Structure Type: N (N/A - UNDER FILL) 108A. Wearing Surface: 6 (BITUMINOUS) 108C. Protection N (N/A)	44. Structure Type - Approach: 000 45. Number of Spans - Main: 2 46. Number of Spans - Approach: 0000 108B. Membrane: N (N/A)
---	--

AGE OF SERVICE

27. Year Built: 1921 42A. Type of Service Over: 1 (HIGHWAY) 28A. Lanes on Structure: 2 29. ADT - Over: 11041 VPD 114. Future ADT: 16264 VPD 109. Average Truck Traffic: 6 %Trucks	106. Reconstructed: 0 42B. Type of Service Under: 5 (WATERWAY) 28B. Lanes Under Structure: 0 30. ADT Year Over: 2016 115. Future ADT Year: 2036 19. Bypass Detour Length: 4 mi.
--	--

GEOMETRIC DATA

48. Maximum Span Length: 36.3 ft. 50A. Sidewalk/Curb Left: 0.0 ft. 51. Bridge Roadway Width: 36.7 ft. 32. Approach Roadway Width: 24 ft. 34. Skew: 10 Degree(s) 10. Defense Vertical Clearance: 99.99 47. Total Horiz. Clearance: 36.7 ft. 55A. Min Latr. Cl. Right - Code: N 55B. Lateral Right: 0 ft.	49. Structure Length: 77 ft. 50B. Sidewalk/Curb Right: 0.0 ft. 52. Deck Width (O-O) 38.6 ft. 33. Bridge Median: 0 (NO MEDIAN) 35. Structure Flared: 0 (NO FLARE) 53. Vertical Clearance/Deck: 99.99 ft. 54A. Min Vert Clear Code: N 54B. Underclearance: 0 ft. 56. Lateral Left: 0 ft.
---	--

STRUCTURE INVENTORY AND APPRAISAL REPORT - 2

NBI Number: 2200045
 Facility Carried: PAOLI PIKE

Bridge Number: 22-00046
 Feature(s) Intersected: LITTLE INDIAN CREEK

NAVIGATION

38. Navigational Control: 0	40. Navigational Horizontal Clearance: 0 ft.
39. Navigational Vertical Clearance: 0 ft.	116. Vertical Clearance - Lift Bridge: ft.
111. Pier/Abutment Protection:	

CLASSIFICATION

112. NBIS Bridge Length: Y	12. Base Highway Network: 0
104. Highway System - Over: 0 (NOT ON NHS)	13A. LRS Inventory Route:
26. Func. Class - Over: 07 (RURAL - MAJOR COLLECTOR)	13B. LRS Inventory Subroute:
100. Defense Highway Des: 0	101. Parallel Structure Des: N
102. Direction of Traffic: 2 (2-WAY TRAFFIC)	103. Temporary Structure Des:
110. Des. Nat. Network: 0	20. Toll: 3 (ON FREE ROAD-NO TOLL)
21. Maint. Responsibility: 02 (COUNTY HIGHWAY AGENCY)	22. Owner: 02 (COUNTY HIGHWAY AGENCY)
37. Historical Significance: 2 (ELIGIBLE FOR NATIONAL REGISTER)	

CONDITION

58. Deck: N/A	Material: N/A	Rating:	N
58.01. Wearing Surface: GOOD - NOT FULL WIDTH, GRASS ON SHOULDERS	Material: BITUMINOUS (2")	Rating:	7
59. Superstructure: SATIS - LONGITUDINAL CRACKS WITH EFFL.	Material: CONCRETE ARCH	Rating:	6
60. Substructure: FAIR - HEAVY SPALLING/CRACKING/DETERIORATION AT S END OF PIER, VERT. CRACKS WITH MINOR SPALLS IN UNDERSIDE OF ARCH. NORTH HALF OF PIER FOOTING IS EXPOSED TOP 6" ON EAST SIDE	Material: CONCRETE	Rating:	5
61. Channel: SATIS - AGGREGATION-SILT/ROCK BUILDUP IN WEST SPAN	Material: NATURAL ROCK & GRAVEL	Rating:	6
62. Culvert/Ret: N/A	Material: N/A	Rating:	N

LOAD RATING AND POSTING

31. Design Load: 0 (UNKNOWN)	63. Oper Rating Method: 0 (FIELD EVAL AND ENG JUDGEMENT)
64. Operating Rating: 36	65. Inv Rating Method: 0 (FIELD EVAL AND ENG JUDGEMENT)
66. Inventory Rating: 36	66C. Tons Posted: Tons
66B. Gross Tons or H Rating: 20 Tons	66D. Date Posted/Closed:
41. Open, Posted, or Closed: A (OPEN)	70. Bridge Posting: 5 (EQUAL TO OR ABOVE LEGAL LOADS)

STRUCTURE INVENTORY AND APPRAISAL REPORT - 3

NBI Number: 2200045
Facility Carried: PAOLI PIKE

Bridge Number: 22-00046
Feature(s) Intersected: LITTLE INDIAN CREEK

APPRAISAL

67.	Structural:	5
68.	Geometry:	4
69.	Underclearance:	N
71.	Waterway Adequacy:	8
36A.	Traffic Safety Features (Bridge Railings):	1 (MEETS ACCEPTABLE STANDARDS)
36B.	Traffic Safety Features (Transitions):	0 (DOES NOT MEET ACCEPTABLE STANDARDS/SAFETY FEATURE IS REQUIRED)
36C.	Traffic Safety Features (Approach Guardrail):	0 (DOES NOT MEET ACCEPTABLE STANDARDS/SAFETY FEATURE IS REQUIRED)
36D.	Traffic Safety Features (Approach Guardrail Ends):	0 (DOES NOT MEET ACCEPTABLE STANDARDS/SAFETY FEATURE IS REQUIRED)
72.	Roadway Alignment:	8 - TANGENT & LEVEL, INT. EAST, DIP WEST
	Material:	BITUMINOUS
	Comments:	CRACKS
113.	Scour Critical Bridges:	5 (STABLE - WITHIN LIMITS)
	Comments:	

PROPOSED IMPROVEMENTS

75A.	Type of Work:	(NO WORK NEEDED.)
75B.	Work Done By:	0
76.	Improvement Length:	0 ft.
94.	Bridge Improvement Costs:	0 x 1000
95.	Roadway Improvement Costs:	0 x 1000
96.	Total Project Cost:	0 x 1000
97.	Year of Cost Estimate:	

RECOMMENDED MAINTENANCE

RECOMMEND INSTALLING CURRENT STD. APPR. RAIL W/END TREATMENT AND ALL B.E.M.'S.

INSPECTION DATA

90.	Date:	3/2/2020	91.	Des. Inspection Frequency:	24 Months
92.	Critical Feature Inspection:	A: N	B: N	C: N	
93.	Date:	A:	B:	C:	
	Unofficial Sufficiency Rating:	81.3			
	Unofficial Structural and Functional Classification:	0 (OK)			



LOOKING EAST FROM ROAD



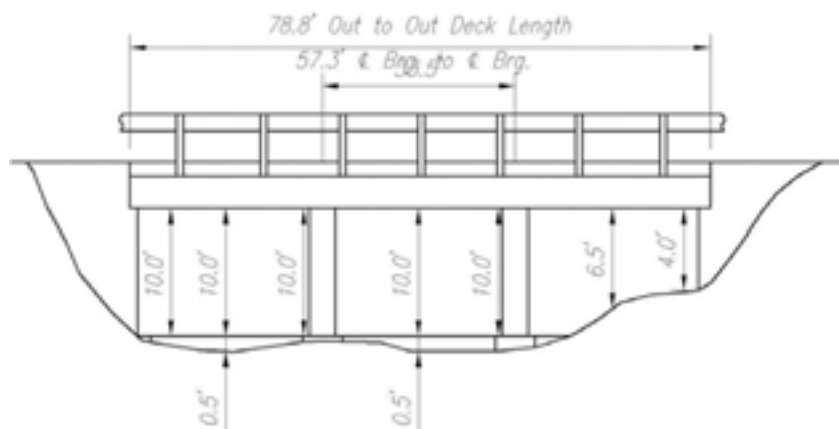
LOOKING WEST FROM ROAD



LOOKING NORTH THROUGH CHANNEL



SOUTHWEST CORNER SCOUR



See Additional Photographs

See on Township Map

FLOYD COUNTY - BRIDGE NO. 22-00047
DUFFY RD over LITTLE INDIAN CREEK

STRUCTURE INVENTORY AND APPRAISAL REPORT - 1

NBI Number: 2200046
 Facility Carried: DUFFY RD

Bridge Number: 22-00047
 Feature(s) Intersected: LITTLE INDIAN CREEK

IDENTIFICATION

1. State:	185 (INDIANA)	4. City/Town:	00000 ()
8. NBI Number:	2200046		
5. Inventory Route On:	1-4-2- 0-0	98. Border Bridge:	
2. District:	05 (SEYMOUR)	99. Border Bridge Number:	
3. County:	022 (FLOYD)		
6. Feat Intersected:	LITTLE INDIAN CREEK	11. Mile Point (over):	0
7. Facility Carried:	DUFFY RD	16. Latitude:	38.30922
9. Location:	00.30 E OF N LUTHER	17. Longitude:	-85.904694

STRUCTURE DATA

43A. Structure Type - Main Span:	2 (CONTINUOUS CONCRETE)	44. Structure Type - Approach:	000
43B. Structure Type - Main Span - Const.	01 (SLAB)	45. Number of Spans - Main:	3
107. Deck Structure Type:	1 (CONCRETE CAST-IN-PLACE)	46. Number of Spans - Approach:	0000
108A. Wearing Surface:	6 (BITUMINOUS)	108B. Membrane:	8 (UNKNOWN)
108C. Protection	0 (NONE)		

AGE OF SERVICE

27. Year Built:	1968	106. Reconstructed:	0
42A. Type of Service Over:	1 (HIGHWAY)	42B. Type of Service Under:	5 (WATERWAY)
28A. Lanes on Structure:	2	28B. Lanes Under Structure:	0
29. ADT - Over:	713 VPD	30. ADT Year Over:	2016
114. Future ADT:	1051 VPD	115. Future ADT Year:	2036
109. Average Truck Traffic:	3 %Trucks	19. Bypass Detour Length:	6 mi.

GEOMETRIC DATA

48. Maximum Span Length:	33.5 ft.	49. Structure Length:	78.7 ft.
50A. Sidewalk/Curb Left:	0.0 ft.	50B. Sidewalk/Curb Right:	0.0 ft.
51. Bridge Roadway Width:	27.5 ft.	52. Deck Width (O-O)	28 ft.
32. Approach Roadway Width:	21 ft.	33. Bridge Median:	0 (NO MEDIAN)
34. Skew:	15 Degree(s)	35. Structure Flared:	0 (NO FLARE)
10. Defense Vertical Clearance:	99.99	53. Vertical Clearance/Deck:	99.99 ft.
47. Total Horiz. Clearance:	27.5 ft.	54A. Min Vert Clear Code:	N
55A. Min Latr. Cl. Right - Code:	N	54B. Underclearance:	0 ft.
55B. Lateral Right:	0 ft.	56. Lateral Left:	0 ft.

STRUCTURE INVENTORY AND APPRAISAL REPORT - 2

NBI Number: 2200046
 Facility Carried: DUFFY RD

Bridge Number: 22-00047
 Feature(s) Intersected: LITTLE INDIAN CREEK

NAVIGATION

38. Navigational Control: 0	40. Navigational Horizontal Clearance: 0 ft.
39. Navigational Vertical Clearance: 0 ft.	116. Vertical Clearance - Lift Bridge: ft.
111. Pier/Abutment Protection:	

CLASSIFICATION

112. NBIS Bridge Length: Y	12. Base Highway Network: 0
104. Highway System - Over: 0 (NOT ON NHS)	13A. LRS Inventory Route:
26. Func. Class - Over: 09 (RURAL - LOCAL)	13B. LRS Inventory Subroute:
100. Defense Highway Des: 0	101. Parallel Structure Des: N
102. Direction of Traffic: 2 (2-WAY TRAFFIC)	103. Temporary Structure Des:
110. Des. Nat. Network: 0	20. Toll: 3 (ON FREE ROAD-NO TOLL)
21. Maint. Responsibility: 02 (COUNTY HIGHWAY AGENCY)	22. Owner: 02 (COUNTY HIGHWAY AGENCY)
37. Historical Significance: 5 (NOT ELIGIBLE)	

CONDITION

58. Deck: SATIS - OUTSIDE 2' REPLACED EACH SIDE, LEACHING	Material: CONCRETE	Rating: 6
58.01. Wearing Surface: FAIR - WIDE CRACKS, NOT FULL WIDTH	Material: BITUMINOUS (7")	Rating: 5
59. Superstructure: SATIS - CRACKS, LEACHING	Material: CONCRETE	Rating: 6
60. Substructure: SATIS - TOPS OF PIER FOOTINGS AND WEST ABUTMENT EXPOSED, WEST PIER UPSTREAM BEARING RAVELING, EAST PIER UPSTREAM CONSTRUCTION JOINT LEACHING.	Material: CONCRETE	Rating: 6
61. Channel: FAIR - AGGRADATION, LOCAL SCOUR AROUND PIERS, BANK EROSION BEHIND SW WINGWALL	Material: NATURAL ROCK BOTTOM	Rating: 5
62. Culvert/Ret: N/A	Material: N/A	Rating: N

LOAD RATING AND POSTING

31. Design Load: 5 (HS 20)	63. Oper Rating Method: 3 (LOAD RESISTANCE FACTOR (LRFR))
64. Operating Rating: 52	65. Inv Rating Method: 3 (LOAD AND RESISTANCE FACTOR (LRFR))
66. Inventory Rating: 39	66C. Tons Posted: Tons
66B. Gross Tons or H Rating: 29 Tons	66D. Date Posted/Closed:
41. Open, Posted, or Closed: A (OPEN)	70. Bridge Posting: 5 (EQUAL TO OR ABOVE LEGAL LOADS)

STRUCTURE INVENTORY AND APPRAISAL REPORT - 3

NBI Number: 2200046
 Facility Carried: DUFFY RD

Bridge Number: 22-00047
 Feature(s) Intersected: LITTLE INDIAN CREEK

APPRAISAL

67.	Structural:	6
68.	Geometry:	5
69.	Underclearance:	N
71.	Waterway Adequacy:	6
36A.	Traffic Safety Features (Bridge Railings):	1 (MEETS ACCEPTABLE STANDARDS)
36B.	Traffic Safety Features (Transitions):	0 (DOES NOT MEET ACCEPTABLE STANDARDS/SAFETY FEATURE IS REQUIRED)
36C.	Traffic Safety Features (Approach Guardrail):	0 (DOES NOT MEET ACCEPTABLE STANDARDS/SAFETY FEATURE IS REQUIRED)
36D.	Traffic Safety Features (Approach Guardrail Ends):	1 (MEETS ACCEPTABLE STANDARDS)
72.	Roadway Alignment:	8 - TANGENT & LEVEL, CURVE EAST
	Material:	BITUMINOUS
	Comments:	LONG. AND TRANS. CRACKING
113.	Scour Critical Bridges:	5 (STABLE - WITHIN LIMITS)
	Comments:	

PROPOSED IMPROVEMENTS

75A.	Type of Work:	(NO WORK NEEDED.)
75B.	Work Done By:	0
76.	Improvement Length:	0 ft.
94.	Bridge Improvement Costs:	0 x 1000
95.	Roadway Improvement Costs:	0 x 1000
96.	Total Project Cost:	0 x 1000
97.	Year of Cost Estimate:	

RECOMMENDED MAINTENANCE

RECOMMEND INSTALLING CURRENT STD. APPR. RAIL W/END TREATMENT, PLACING RIPRAP AT SW CORNER.

INSPECTION DATA

90.	Date:	3/4/2020	91.	Des. Inspection Frequency:	24 Months
92.	Critical Feature Inspection:	A: N	B: N	C: N	
93.	Date:	A:	B:	C:	
	Unofficial Sufficiency Rating:	96.2			
	Unofficial Structural and Functional Classification:	0 (OK)			



LOOKING NORTH FROM ROAD



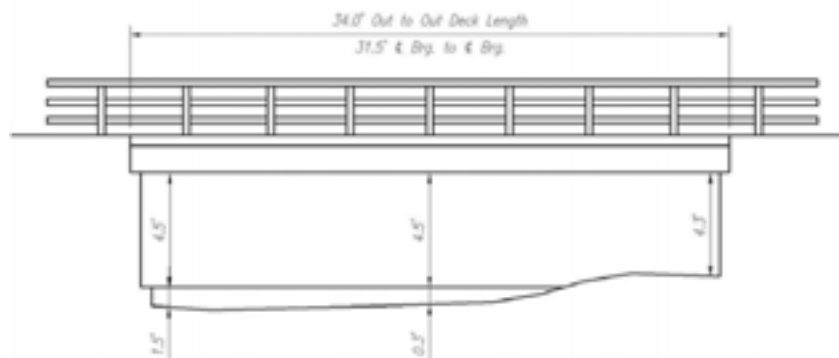
LOOKING SOUTH FROM ROAD



LOOKING EAST DOWNSTREAM



LOOKING EAST AT SCOUR ALONG THE NORTH



See Additional Photographs

See on Township Map

FLOYD COUNTY - BRIDGE NO. 22-00050
KLERNER LN over SLATE RUN CREEK

STRUCTURE INVENTORY AND APPRAISAL REPORT - 1

NBI Number: 2200049
 Facility Carried: KLERNER LN

Bridge Number: 22-00050
 Feature(s) Intersected: SLATE Run Creek

IDENTIFICATION

<p>1. State: 185 (INDIANA)</p> <p>8. NBI Number: 2200049</p> <p>5. Inventory Route On: 1-5-1- 0-0</p> <p>2. District: 05 (SEYMOUR)</p> <p>3. County: 022 (FLOYD)</p> <p>6. Feat Intersected: SLATE Run Creek</p> <p>7. Facility Carried: KLERNER LN</p> <p>9. Location: 00.10 N OF MT. TABOR RD</p>	<p>4. City/Town: 52326 (NEW ALBANY)</p> <p>98. Border Bridge:</p> <p>99. Border Bridge Number:</p> <p>11. Mile Point (over): 0</p> <p>16. Latitude: 38.33437</p> <p>17. Longitude: -85.808929</p>
---	---

STRUCTURE DATA

<p>43A. Structure Type - Main Span: 5 (PRESTRESSED CONCRETE)</p> <p>43B. Structure Type - Main Span - Const. 05 (ADJACENT BOX BEAM)</p> <p>107. Deck Structure Type: 2 (CONCRETE PRECAST)</p> <p>108A. Wearing Surface: 1 (MONOLITHIC CONCRETE)</p> <p>108C. Protection 8 (UNKNOWN)</p>	<p>44. Structure Type - Approach: 000</p> <p>45. Number of Spans - Main: 1</p> <p>46. Number of Spans - Approach: 0000</p> <p>108B. Membrane: 8 (UNKNOWN)</p>
---	---

AGE OF SERVICE

<p>27. Year Built: 1983</p> <p>42A. Type of Service Over: 5 (HIGHWAY/PEDESTRIAN)</p> <p>28A. Lanes on Structure: 2</p> <p>29. ADT - Over: 753 VPD</p> <p>114. Future ADT: 1109 VPD</p> <p>109. Average Truck Traffic: 5 %Trucks</p>	<p>106. Reconstructed: 0</p> <p>42B. Type of Service Under: 5 (WATERWAY)</p> <p>28B. Lanes Under Structure: 0</p> <p>30. ADT Year Over: 2016</p> <p>115. Future ADT Year: 2036</p> <p>19. Bypass Detour Length: 1 mi.</p>
---	---

GEOMETRIC DATA

<p>48. Maximum Span Length: 31.5 ft.</p> <p>50A. Sidewalk/Curb Left: 2.7 ft.</p> <p>51. Bridge Roadway Width: 32.2 ft.</p> <p>32. Approach Roadway Width: 32 ft.</p> <p>34. Skew: 15 Degree(s)</p> <p>10. Defense Vertical Clearance: 99.99</p> <p>47. Total Horiz. Clearance: 32.2 ft.</p> <p>55A. Min Latr. Cl. Right - Code: N</p> <p>55B. Lateral Right: 0 ft.</p>	<p>49. Structure Length: 34 ft.</p> <p>50B. Sidewalk/Curb Right: 2.7 ft.</p> <p>52. Deck Width (O-O) 40 ft.</p> <p>33. Bridge Median: 0 (NO MEDIAN)</p> <p>35. Structure Flared: 0 (NO FLARE)</p> <p>53. Vertical Clearance/Deck: 99.99 ft.</p> <p>54A. Min Vert Clear Code: N</p> <p>54B. Underclearance: 0 ft.</p> <p>56. Lateral Left: 0 ft.</p>
--	---

STRUCTURE INVENTORY AND APPRAISAL REPORT - 2

NBI Number: 2200049
 Facility Carried: KLERNER LN

Bridge Number: 22-00050
 Feature(s) Intersected: SLATE Run Creek

NAVIGATION

38. Navigational Control:	0	40. Navigational Horizontal Clearance:	0 ft.
39. Navigational Vertical Clearance:	0 ft.	116. Vertical Clearance - Lift Bridge:	ft.
111. Pier/Abutment Protection:			

CLASSIFICATION

112. NBIS Bridge Length:	Y	12. Base Highway Network:	0
104. Highway System - Over:	0 (NOT ON NHS)	13A. LRS Inventory Route:	
26. Func. Class - Over:	17 (URBAN - COLLECTOR)	13B. LRS Inventory Subroute:	
100. Defense Highway Des:	0	101. Parallel Structure Des:	N
102. Direction of Traffic:	2 (2-WAY TRAFFIC)	103. Temporary Structure Des:	
110. Des. Nat. Network:	0	20. Toll:	3 (ON FREE ROAD-NO TOLL)
21. Maint. Responsibility:	02 (COUNTY HIGHWAY AGENCY)	22. Owner:	02 (COUNTY HIGHWAY AGENCY)
37. Historical Significance:	5 (NOT ELIGIBLE)		

CONDITION

58. Deck:	Material: CONCRETE	Rating:	6
SATIS - END JOINT SEAL DAMAGE, SPALLS W/ IN WEST GUTTER WING EXP. REIN., LONG. CRACK MIDDLE BEAM SPACING. MINOR DAMAGE TO WEST BRIDGE RAILING			
58.01. Wearing Surface:	Material: INTEGRAL CONCRETE	Rating:	7
GOOD - MANY SMALL POPOUTS			
59. Superstructure:	Material: CONCRETE BOX BEAM	Rating:	7
GOOD - SEEPAGE BETWEEN BEAMS			
60. Substructure:	Material: CONCRETE	Rating:	7
GOOD - TOPS OF FOOTINGS EXPOSED, LONG. CRACKS AT BEARINGS			
61. Channel:	Material: NATURAL ROCK & GRAVEL BOTTOM	Rating:	7
GOOD - ROUGH SHALE WITH ROCK BOTTOM, FLOW TOWARDS BOTH ABUTMENTS, OVERGROWN CHANNEL BANKS			
62. Culvert/Ret:	Material: N/A	Rating:	N
N/A			

LOAD RATING AND POSTING

31. Design Load:	5 (HS 20)	63. Oper Rating Method:	3 (LOAD RESISTANCE FACTOR (LRFR))
64. Operating Rating:	78	65. Inv Rating Method:	3 (LOAD AND RESISTANCE FACTOR (LRFR))
66. Inventory Rating:	65	66C. Tons Posted:	Tons
66B. Gross Tons or H Rating:	42 Tons	66D. Date Posted/Closed:	
41. Open, Posted, or Closed:	A (OPEN)	70. Bridge Posting:	5 (EQUAL TO OR ABOVE LEGAL LOADS)

STRUCTURE INVENTORY AND APPRAISAL REPORT - 3

NBI Number: 2200049
Facility Carried: KLERNER LN

Bridge Number: 22-00050
Feature(s) Intersected: SLATE Run Creek

APPRAISAL

67.	Structural:	7
68.	Geometry:	6
69.	Underclearance:	N
71.	Waterway Adequacy:	6
36A.	Traffic Safety Features (Bridge Railings):	1 (MEETS ACCEPTABLE STANDARDS)
36B.	Traffic Safety Features (Transitions):	0 (DOES NOT MEET ACCEPTABLE STANDARDS/SAFETY FEATURE IS REQUIRED)
36C.	Traffic Safety Features (Approach Guardrail):	1 (MEETS ACCEPTABLE STANDARDS)
36D.	Traffic Safety Features (Approach Guardrail Ends):	0 (DOES NOT MEET ACCEPTABLE STANDARDS/SAFETY FEATURE IS REQUIRED)
72.	Roadway Alignment:	8 - UPGRADE & CURVE EACH WAY, DR NW & SE
	Material:	CONCRETE / BITUMINOUS
	Comments:	PORTIONS OF APPROACH GUARDRAIL MISSING, LONG. CRACKS
113.	Scour Critical Bridges:	5 (STABLE - WITHIN LIMITS)
	Comments:	

PROPOSED IMPROVEMENTS

75A.	Type of Work:	(NO WORK NEEDED.)
75B.	Work Done By:	0
76.	Improvement Length:	0 ft.
94.	Bridge Improvement Costs:	0 x 1000
95.	Roadway Improvement Costs:	0 x 1000
96.	Total Project Cost:	0 x 1000
97.	Year of Cost Estimate:	

RECOMMENDED MAINTENANCE

RECOMMEND INSTALLING CURRENT STD. BRIDGE & APPR. RAIL W/END TREATMENT AND ALL B.E.M.'S, PATCHING SPALLS ON DECK, AND REPLACING EXPANSION JOINT SEALS.

INSPECTION DATA

90.	Date:	3/3/2020	91.	Des. Inspection Frequency:	24 Months
92.	Critical Feature Inspection:	A: N	B: N	C: N	
93.	Date:	A:	B:	C:	

Unofficial Sufficiency Rating: 98.9
Unofficial Structural and Functional Classification: 0 (OK)



LOOKING NORTH FROM ROAD



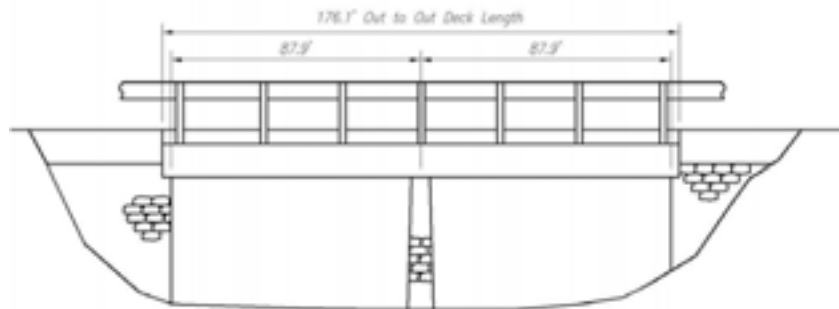
LOOKING SOUTH FROM ROAD



LOOKING EAST UPSTREAM



LOOKING NORTHEAST AT NORTH STONE ABUTMENT-



See Additional Photographs

See on Township Map

FLOYD COUNTY - BRIDGE NO. 22-00051
BLACKISTON MILL RD over SILVER CREEK

STRUCTURE INVENTORY AND APPRAISAL REPORT - 1

NBI Number: 2200050
 Facility Carried: BLACKISTON MILL RD

Bridge Number: 22-00051
 Feature(s) Intersected: SILVER CREEK

IDENTIFICATION

1.	State:	185 (INDIANA)	4.	City/Town:	52326 (NEW ALBANY)
8.	NBI Number:	2200050			
5.	Inventory Route On:	1-5-1- 0-0	98.	Border Bridge:	
2.	District:	05 (SEYMOUR)	99.	Border Bridge Number:	
3.	County:	022 (FLOYD)			
6.	Feat Intersected:	SILVER CREEK	11.	Mile Point (over):	0
7.	Facility Carried:	BLACKISTON MILL RD	16.	Latitude:	38.33429
9.	Location:	00.20 E PAYNE KOEHLER	17.	Longitude:	-85.794876

STRUCTURE DATA

43A.	Structure Type - Main Span:	5 (PRESTRESSED CONCRETE)	44.	Structure Type - Approach:	000
43B.	Structure Type - Main Span - Const.	02 (GIRDER)	45.	Number of Spans - Main:	2
107.	Deck Structure Type:	1 (CONCRETE CAST-IN-PLACE)	46.	Number of Spans - Approach:	0000
108A.	Wearing Surface:	6 (BITUMINOUS)	108B.	Membrane:	8 (UNKNOWN)
108C.	Protection	0 (NONE)			

AGE OF SERVICE

27.	Year Built:	1920	106.	Reconstructed:	1966
42A.	Type of Service Over:	1 (HIGHWAY)	42B.	Type of Service Under:	5 (WATERWAY)
28A.	Lanes on Structure:	2	28B.	Lanes Under Structure:	0
29.	ADT - Over:	4441 VPD	30.	ADT Year Over:	2016
114.	Future ADT:	6546 VPD	115.	Future ADT Year:	2036
109.	Average Truck Traffic:	6 %Trucks	19.	Bypass Detour Length:	6 mi.

GEOMETRIC DATA

48.	Maximum Span Length:	87.9 ft.	49.	Structure Length:	176 ft.
50A.	Sidewalk/Curb Left:	1.0 ft.	50B.	Sidewalk/Curb Right:	1.0 ft.
51.	Bridge Roadway Width:	21.9 ft.	52.	Deck Width (O-O)	24.1 ft.
32.	Approach Roadway Width:	23 ft.	33.	Bridge Median:	0 (NO MEDIAN)
34.	Skew:	0 Degree(s)	35.	Structure Flared:	0 (NO FLARE)
10.	Defense Vertical Clearance:	99.99	53.	Vertical Clearance/Deck:	99.99 ft.
47.	Total Horiz. Clearance:	21.9 ft.	54A.	Min Vert Clear Code:	N
55A.	Min Latr. Cl. Right - Code:	N	54B.	Underclearance:	0 ft.
55B.	Lateral Right:	0 ft.	56.	Lateral Left:	0 ft.

STRUCTURE INVENTORY AND APPRAISAL REPORT - 2

NBI Number: 2200050 Facility Carried: BLACKISTON MILL RD	Bridge Number: 22-00051 Feature(s) Intersected: SILVER CREEK
---	---

NAVIGATION

38. Navigational Control: 0	40. Navigational Horizontal Clearance: 0 ft.
39. Navigational Vertical Clearance: 0 ft.	116. Vertical Clearance - Lift Bridge: ft.
111. Pier/Abutment Protection:	

CLASSIFICATION

112. NBIS Bridge Length: Y	12. Base Highway Network: 0
104. Highway System - Over: 0 (NOT ON NHS)	13A. LRS Inventory Route:
26. Func. Class - Over: 17 (URBAN - COLLECTOR)	13B. LRS Inventory Subroute:
100. Defense Highway Des: 0	101. Parallel Structure Des: N
102. Direction of Traffic: 2 (2-WAY TRAFFIC)	103. Temporary Structure Des:
110. Des. Nat. Network: 0	20. Toll: 3 (ON FREE ROAD-NO TOLL)
21. Maint. Responsibility: 02 (COUNTY HIGHWAY AGENCY)	22. Owner: 02 (COUNTY HIGHWAY AGENCY)
37. Historical Significance: 5 (NOT ELIGIBLE)	

CONDITION

58. Deck:	Material: CONCRETE	Rating:	6
SATIS - HAIRLINE CRACKS AND EFFLORESCENCE, WEST SPAN NEAR SOUTH COPING BEAM			
58.01. Wearing Surface:	Material: BITUMINOUS (2")	Rating:	4
POOR - CRACKS OVER PIER AND AT ENDS, POTHOLES FILLED WITH HMA, CRACKS THROUGHOUT, ROUGH UNEVEN			
59. Superstructure:	Material: CONCRETE	Rating:	7
GOOD - NO MAJOR DEFECTS NOTED			
60. Substructure:	Material: CONC.	Rating:	4
POOR - OPEN JOINTS BETWEEN STONES, EROSION, STONES IN UPSTREAM END OF PIER BROKEN WITH SOME MISSING PIECES, STONE ABUTMENTS AND PIERS WERE SPRAYED WITH THIN COAT OF GUNITE IN PAST TO COVER AND PROTECT STONE, CRACKS, SPALLS WITH CONCRETE CAP OVER THE UPSTREAM NOSE OF PIER.			
61. Channel:	Material: NATURAL	Rating:	5
FAIR - BRUSHY BANKS, EROSION BEHIND WINGS, EROSION AT NORTHWEST, NORTHEAST AND SOUTHWEST WINGS, APPROXIMATELY 8' HIGH CONCRETE DAM UPSTREAM			
62. Culvert/Ret:	Material: N/A	Rating:	N
N/A			

LOAD RATING AND POSTING

31. Design Load: 0 (UNKNOWN)	63. Oper Rating Method: 0 (FIELD EVAL AND ENG JUDGEMENT)
64. Operating Rating: 36	65. Inv Rating Method: 0 (FIELD EVAL AND ENG JUDGEMENT)
66. Inventory Rating: 36	66C. Tons Posted: Tons
66B. Gross Tons or H Rating: 20 Tons	66D. Date Posted/Closed:
41. Open, Posted, or Closed: A (OPEN)	70. Bridge Posting: 5 (EQUAL TO OR ABOVE LEGAL LOADS)

STRUCTURE INVENTORY AND APPRAISAL REPORT - 3

NBI Number: 2200050
Facility Carried: BLACKISTON MILL RD

Bridge Number: 22-00051
Feature(s) Intersected: SILVER CREEK

APPRAISAL

67.	Structural:	4
68.	Geometry:	2
69.	Underclearance:	N
71.	Waterway Adequacy:	9
36A.	Traffic Safety Features (Bridge Railings):	1 (MEETS ACCEPTABLE STANDARDS)
36B.	Traffic Safety Features (Transitions):	0 (DOES NOT MEET ACCEPTABLE STANDARDS/SAFETY FEATURE IS REQUIRED)
36C.	Traffic Safety Features (Approach Guardrail):	1 (MEETS ACCEPTABLE STANDARDS)
36D.	Traffic Safety Features (Approach Guardrail Ends):	1 (MEETS ACCEPTABLE STANDARDS)
72.	Roadway Alignment:	3 - CURVE EACH END, DIP SO., HILL NORTH
	Material:	BITUMINOUS
	Comments:	LONGITUDINAL CRACKS AND PATCHES, SETTLING AND ROUGH AT BRIDGE ENDS
113.	Scour Critical Bridges:	4 (STABLE - ACTION NEEDED)
	Comments:	

PROPOSED IMPROVEMENTS

75A.	Type of Work:	31 (REPLACE BRIDGE DUE TO DETERIORATION OF SUBSTRUCTURE.)
75B.	Work Done By:	1 (CONTRACT)
76.	Improvement Length:	210 ft.
94.	Bridge Improvement Costs:	983 x 1000
95.	Roadway Improvement Costs:	467 x 1000
96.	Total Project Cost:	1830 x 1000
97.	Year of Cost Estimate:	2020

RECOMMENDED MAINTENANCE

UNTIL REPLACEMENT, RECOMMEND INSTALLING CURRENT STANDARD BRIDGE AND APPROACH RAILING AND ALL BRIDGE END MARKERS, PLACING RIPRAP AT UPSTREAM END OF PIER SOUTHWEST CORNER, AND NORTHEAST WING, AND REPAIRING CONCRETE AT UPSTREAM END NOSE OF PIER.

INSPECTION DATA

90.	Date:	3/3/2020	91.	Des. Inspection Frequency:	12 Months
92.	Critical Feature Inspection:	A: N	B: N	C: N	
93.	Date:	A:	B:	C:	

Unofficial Sufficiency Rating: 44.9
Unofficial Structural and Functional Classification: 1 (STRUCTURALLY DEFICIENT)



LOOKING SOUTH FROM ROAD



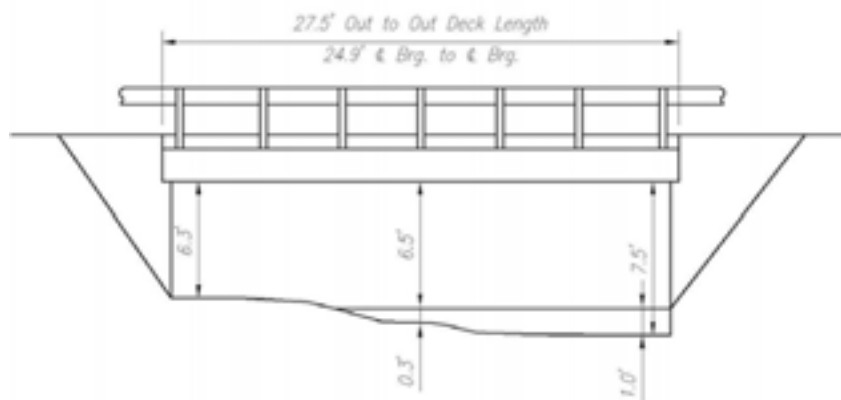
LOOKING NORTH FROM ROAD



LOOKING WEST DOWNSTREAM



LOOKING EAST AT EXPOSED TOP OF FOOTING ON



See Additional Photographs

See on Township Map

STRUCTURE INVENTORY AND APPRAISAL REPORT - 1

NBI Number: 2200051 Facility Carried: CHAPEL LN	Bridge Number: 22-00055 Feature(s) Intersected: LEWIS BR OF JACOABS CR
--	---

IDENTIFICATION

1. State: 185 (INDIANA) 8. NBI Number: 2200051 5. Inventory Route On: 1-4-1- 0-0 2. District: 05 (SEYMOUR) 3. County: 022 (FLOYD) 6. Feat Intersected: LEWIS BR OF JACOABS CR 7. Facility Carried: CHAPEL LN 9. Location: 01.10 S OF GRANTLINE RD	4. City/Town: 00000 () 98. Border Bridge: 99. Border Bridge Number: 11. Mile Point (over): 0 16. Latitude: 38.36563 17. Longitude: -85.7939
--	--

STRUCTURE DATA

43A. Structure Type - Main Span: 1 (CONCRETE) 43B. Structure Type - Main Span - Const. 01 (SLAB) 107. Deck Structure Type: 1 (CONCRETE CAST-IN-PLACE) 108A. Wearing Surface: 1 (MONOLITHIC CONCRETE) 108C. Protection 8 (UNKNOWN)	44. Structure Type - Approach: 000 45. Number of Spans - Main: 1 46. Number of Spans - Approach: 0000 108B. Membrane: 0 (NONE)
---	---

AGE OF SERVICE

27. Year Built: 1983 42A. Type of Service Over: 1 (HIGHWAY) 28A. Lanes on Structure: 2 29. ADT - Over: 2896 VPD 114. Future ADT: 4265 VPD 109. Average Truck Traffic: 6 %Trucks	106. Reconstructed: 2017 42B. Type of Service Under: 5 (WATERWAY) 28B. Lanes Under Structure: 0 30. ADT Year Over: 2016 115. Future ADT Year: 2036 19. Bypass Detour Length: 3 mi.
--	---

GEOMETRIC DATA

48. Maximum Span Length: 24.9 ft. 50A. Sidewalk/Curb Left: 0.0 ft. 51. Bridge Roadway Width: 27.3 ft. 32. Approach Roadway Width: 22 ft. 34. Skew: 15 Degree(s) 10. Defense Vertical Clearance: 99.99 47. Total Horiz. Clearance: 27.5 ft. 55A. Min Latr. Cl. Right - Code: N 55B. Lateral Right: 0 ft.	49. Structure Length: 27.5 ft. 50B. Sidewalk/Curb Right: 0.0 ft. 52. Deck Width (O-O) 27.9 ft. 33. Bridge Median: 0 (NO MEDIAN) 35. Structure Flared: 0 (NO FLARE) 53. Vertical Clearance/Deck: 99.99 ft. 54A. Min Vert Clear Code: N 54B. Underclearance: 0 ft. 56. Lateral Left: 0 ft.
---	--

STRUCTURE INVENTORY AND APPRAISAL REPORT - 2

NBI Number: 2200051
 Facility Carried: CHAPEL LN

Bridge Number: 22-00055
 Feature(s) Intersected: LEWIS BR OF JACOABS CR

NAVIGATION

38.	Navigational Control:	0	40.	Navigational Horizontal Clearance:	0 ft.
39.	Navigational Vertical Clearance:	0 ft.	116.	Vertical Clearance - Lift Bridge:	ft.
111.	Pier/Abutment Protection:				

CLASSIFICATION

112.	NBIS Bridge Length:	Y	12.	Base Highway Network:	0
104.	Highway System - Over:	0 (NOT ON NHS)	13A.	LRS Inventory Route:	
26.	Func. Class - Over:	07 (RURAL - MAJOR COLLECTOR)	13B.	LRS Inventory Subroute:	
100.	Defense Highway Des:	0	101.	Parallel Structure Des:	N
102.	Direction of Traffic:	2 (2-WAY TRAFFIC)	103.	Temporary Structure Des:	
110.	Des. Nat. Network:	0	20.	Toll:	3 (ON FREE ROAD-NO TOLL)
21.	Maint. Responsibility:	02 (COUNTY HIGHWAY AGENCY)	22.	Owner:	02 (COUNTY HIGHWAY AGENCY)
37.	Historical Significance:	5 (NOT ELIGIBLE)			

CONDITION

58.	Deck:	Material: CONCRETE SLAB	Rating:	7
	GOOD - FILLED POTHoles			
58.01.	Wearing Surface:	Material: MONOLITHIC CONCRETE	Rating:	6
	SATIS - FILLED POTHoles, SPALLS ON SURFACE, MAP CRACKING			
59.	Superstructure:	Material: CONCRETE SLAB	Rating:	7
	GOOD - HL CRACKS IN BOTTOM OF SLAB WITH LIGHT EFFL. NEAR CENTERLINE.			
60.	Substructure:	Material: CONCRETE	Rating:	7
	GOOD - SOUTH END OF EAST FOOTING EXPOSED			
61.	Channel:	Material: NATURAL ROCKS	Rating:	5
	FAIR - VERY BRUSHY AROUND BRIDGE, BANK EROSION DOWNSTREAM			
62.	Culvert/Ret:	Material: N/A	Rating:	N
	N/A			

LOAD RATING AND POSTING

31.	Design Load:	5 (HS 20)	63.	Oper Rating Method:	3 (LOAD RESISTANCE FACTOR (LRFR))
64.	Operating Rating:	55	65.	Inv Rating Method:	3 (LOAD AND RESISTANCE FACTOR (LRFR))
66.	Inventory Rating:	46	66C.	Tons Posted:	Tons
66B.	Gross Tons or H Rating:	27 Tons	66D.	Date Posted/Closed:	
41.	Open, Posted, or Closed:	A (OPEN)	70.	Bridge Posting:	5 (EQUAL TO OR ABOVE LEGAL LOADS)

STRUCTURE INVENTORY AND APPRAISAL REPORT - 3

NBI Number: 2200051
Facility Carried: CHAPEL LN

Bridge Number: 22-00055
Feature(s) Intersected: LEWIS BR OF JACOABS CR

APPRAISAL

67.	Structural:	7
68.	Geometry:	3
69.	Underclearance:	N
71.	Waterway Adequacy:	6
36A.	Traffic Safety Features (Bridge Railings):	1 (MEETS ACCEPTABLE STANDARDS)
36B.	Traffic Safety Features (Transitions):	1 (MEETS ACCEPTABLE STANDARDS)
36C.	Traffic Safety Features (Approach Guardrail):	1 (MEETS ACCEPTABLE STANDARDS)
36D.	Traffic Safety Features (Approach Guardrail Ends):	1 (MEETS ACCEPTABLE STANDARDS)
72.	Roadway Alignment:	6 - CURVE AND HILL EACH WAY
	Material:	BITUMINOUS
	Comments:	NEWER BIT AT ENDS, LONG. AND TRANS. CRACKS
113.	Scour Critical Bridges:	5 (STABLE - WITHIN LIMITS)
	Comments:	

PROPOSED IMPROVEMENTS

75A.	Type of Work:	(NO WORK NEEDED.)
75B.	Work Done By:	0
76.	Improvement Length:	0 ft.
94.	Bridge Improvement Costs:	0 x 1000
95.	Roadway Improvement Costs:	0 x 1000
96.	Total Project Cost:	0 x 1000
97.	Year of Cost Estimate:	

RECOMMENDED MAINTENANCE

NO MAINTENANCE NEEDED.

INSPECTION DATA

90.	Date:	3/4/2020	91.	Des. Inspection Frequency:	24 Months
92.	Critical Feature Inspection:	A: N	B: N	C: N	
93.	Date:	A:	B:	C:	

Unofficial Sufficiency Rating: 80.1

Unofficial Structural and Functional Classification: 2 (FUNCTIONALLY OBSOLETE)



LOOKING NORTH FROM ROAD



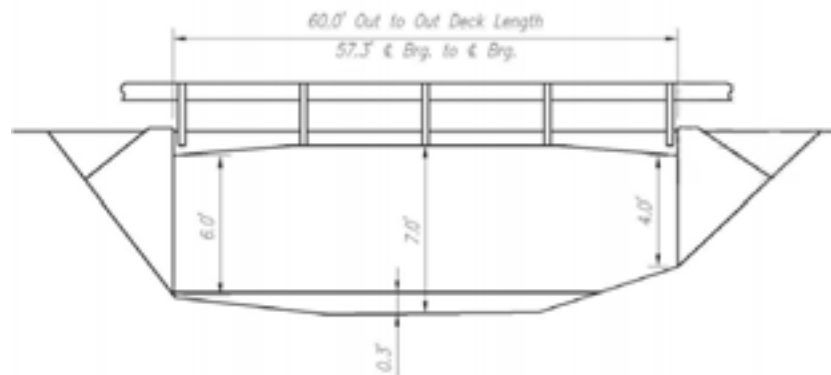
LOOKING SOUTH FROM ROAD



LOOKING EAST FROM CHANNEL



TYPICAL HAIRLINE CRACK



See Additional Photographs

See on Township Map

FLOYD COUNTY - BRIDGE NO. 22-00057
 HIGHWATER RD over MIDDLE CREEK

STRUCTURE INVENTORY AND APPRAISAL REPORT - 1

NBI Number: 2200052
 Facility Carried: HIGHWATER RD

Bridge Number: 22-00057
 Feature(s) Intersected: MIDDLE CREEK

IDENTIFICATION

<table border="0" style="width: 100%;"> <tr><td style="width: 10%;">1.</td><td style="width: 30%;">State:</td><td style="width: 30%;">185 (INDIANA)</td></tr> <tr><td>8.</td><td>NBI Number:</td><td>2200052</td></tr> <tr><td>5.</td><td>Inventory Route On:</td><td>1-5-2- 0-0</td></tr> <tr><td>2.</td><td>District:</td><td>05 (SEYMOUR)</td></tr> <tr><td>3.</td><td>County:</td><td>022 (FLOYD)</td></tr> <tr><td>6.</td><td>Feat Intersected:</td><td>MIDDLE CREEK</td></tr> <tr><td>7.</td><td>Facility Carried:</td><td>HIGHWATER RD</td></tr> <tr><td>9.</td><td>Location:</td><td>00.10 S OF CORYDON PIKE</td></tr> </table>	1.	State:	185 (INDIANA)	8.	NBI Number:	2200052	5.	Inventory Route On:	1-5-2- 0-0	2.	District:	05 (SEYMOUR)	3.	County:	022 (FLOYD)	6.	Feat Intersected:	MIDDLE CREEK	7.	Facility Carried:	HIGHWATER RD	9.	Location:	00.10 S OF CORYDON PIKE	<table border="0" style="width: 100%;"> <tr><td style="width: 10%;">4.</td><td style="width: 30%;">City/Town:</td><td style="width: 30%;">52326 (NEW ALBANY)</td></tr> <tr><td>98.</td><td>Border Bridge:</td><td></td></tr> <tr><td>99.</td><td>Border Bridge Number:</td><td></td></tr> <tr><td>11.</td><td>Mile Point (over):</td><td>0</td></tr> <tr><td>16.</td><td>Latitude:</td><td>38.2806</td></tr> <tr><td>17.</td><td>Longitude:</td><td>-85.863548</td></tr> </table>	4.	City/Town:	52326 (NEW ALBANY)	98.	Border Bridge:		99.	Border Bridge Number:		11.	Mile Point (over):	0	16.	Latitude:	38.2806	17.	Longitude:	-85.863548
1.	State:	185 (INDIANA)																																									
8.	NBI Number:	2200052																																									
5.	Inventory Route On:	1-5-2- 0-0																																									
2.	District:	05 (SEYMOUR)																																									
3.	County:	022 (FLOYD)																																									
6.	Feat Intersected:	MIDDLE CREEK																																									
7.	Facility Carried:	HIGHWATER RD																																									
9.	Location:	00.10 S OF CORYDON PIKE																																									
4.	City/Town:	52326 (NEW ALBANY)																																									
98.	Border Bridge:																																										
99.	Border Bridge Number:																																										
11.	Mile Point (over):	0																																									
16.	Latitude:	38.2806																																									
17.	Longitude:	-85.863548																																									

STRUCTURE DATA

<table border="0" style="width: 100%;"> <tr><td style="width: 10%;">43A.</td><td style="width: 30%;">Structure Type - Main Span:</td><td style="width: 30%;">1 (CONCRETE)</td></tr> <tr><td>43B.</td><td>Structure Type - Main Span - Const.</td><td>11 (DECK ARCH)</td></tr> <tr><td>107.</td><td>Deck Structure Type:</td><td>2 (CONCRETE PRECAST)</td></tr> <tr><td>108A.</td><td>Wearing Surface:</td><td>1 (MONOLITHIC CONCRETE)</td></tr> <tr><td>108C.</td><td>Protection</td><td>0 (NONE)</td></tr> </table>	43A.	Structure Type - Main Span:	1 (CONCRETE)	43B.	Structure Type - Main Span - Const.	11 (DECK ARCH)	107.	Deck Structure Type:	2 (CONCRETE PRECAST)	108A.	Wearing Surface:	1 (MONOLITHIC CONCRETE)	108C.	Protection	0 (NONE)	<table border="0" style="width: 100%;"> <tr><td style="width: 10%;">44.</td><td style="width: 30%;">Structure Type - Approach:</td><td style="width: 30%;">000</td></tr> <tr><td>45.</td><td>Number of Spans - Main:</td><td>1</td></tr> <tr><td>46.</td><td>Number of Spans - Approach:</td><td>0000</td></tr> <tr><td>108B.</td><td>Membrane:</td><td>0 (NONE)</td></tr> </table>	44.	Structure Type - Approach:	000	45.	Number of Spans - Main:	1	46.	Number of Spans - Approach:	0000	108B.	Membrane:	0 (NONE)
43A.	Structure Type - Main Span:	1 (CONCRETE)																										
43B.	Structure Type - Main Span - Const.	11 (DECK ARCH)																										
107.	Deck Structure Type:	2 (CONCRETE PRECAST)																										
108A.	Wearing Surface:	1 (MONOLITHIC CONCRETE)																										
108C.	Protection	0 (NONE)																										
44.	Structure Type - Approach:	000																										
45.	Number of Spans - Main:	1																										
46.	Number of Spans - Approach:	0000																										
108B.	Membrane:	0 (NONE)																										

AGE OF SERVICE

<table border="0" style="width: 100%;"> <tr><td style="width: 10%;">27.</td><td style="width: 30%;">Year Built:</td><td style="width: 30%;">2003</td></tr> <tr><td>42A.</td><td>Type of Service Over:</td><td>1 (HIGHWAY)</td></tr> <tr><td>28A.</td><td>Lanes on Structure:</td><td>2</td></tr> <tr><td>29.</td><td>ADT - Over:</td><td>1655 VPD</td></tr> <tr><td>114.</td><td>Future ADT:</td><td>2439 VPD</td></tr> <tr><td>109.</td><td>Average Truck Traffic:</td><td>5 %Trucks</td></tr> </table>	27.	Year Built:	2003	42A.	Type of Service Over:	1 (HIGHWAY)	28A.	Lanes on Structure:	2	29.	ADT - Over:	1655 VPD	114.	Future ADT:	2439 VPD	109.	Average Truck Traffic:	5 %Trucks	<table border="0" style="width: 100%;"> <tr><td style="width: 10%;">106.</td><td style="width: 30%;">Reconstructed:</td><td style="width: 30%;">0</td></tr> <tr><td>42B.</td><td>Type of Service Under:</td><td>5 (WATERWAY)</td></tr> <tr><td>28B.</td><td>Lanes Under Structure:</td><td>0</td></tr> <tr><td>30.</td><td>ADT Year Over:</td><td>2016</td></tr> <tr><td>115.</td><td>Future ADT Year:</td><td>2036</td></tr> <tr><td>19.</td><td>Bypass Detour Length:</td><td>4 mi.</td></tr> </table>	106.	Reconstructed:	0	42B.	Type of Service Under:	5 (WATERWAY)	28B.	Lanes Under Structure:	0	30.	ADT Year Over:	2016	115.	Future ADT Year:	2036	19.	Bypass Detour Length:	4 mi.
27.	Year Built:	2003																																			
42A.	Type of Service Over:	1 (HIGHWAY)																																			
28A.	Lanes on Structure:	2																																			
29.	ADT - Over:	1655 VPD																																			
114.	Future ADT:	2439 VPD																																			
109.	Average Truck Traffic:	5 %Trucks																																			
106.	Reconstructed:	0																																			
42B.	Type of Service Under:	5 (WATERWAY)																																			
28B.	Lanes Under Structure:	0																																			
30.	ADT Year Over:	2016																																			
115.	Future ADT Year:	2036																																			
19.	Bypass Detour Length:	4 mi.																																			

GEOMETRIC DATA

<table border="0" style="width: 100%;"> <tr><td style="width: 10%;">48.</td><td style="width: 30%;">Maximum Span Length:</td><td style="width: 30%;">27.5 ft.</td></tr> <tr><td>50A.</td><td>Sidewalk/Curb Left:</td><td>0.0 ft.</td></tr> <tr><td>51.</td><td>Bridge Roadway Width:</td><td>27.7 ft.</td></tr> <tr><td>32.</td><td>Approach Roadway Width:</td><td>17 ft.</td></tr> <tr><td>34.</td><td>Skew:</td><td>25 Degree(s)</td></tr> <tr><td>10.</td><td>Defense Vertical Clearance:</td><td>99.99</td></tr> <tr><td>47.</td><td>Total Horiz. Clearance:</td><td>27.7 ft.</td></tr> <tr><td>55A.</td><td>Min Latr. Cl. Right - Code:</td><td>N</td></tr> <tr><td>55B.</td><td>Lateral Right:</td><td>0 ft.</td></tr> </table>	48.	Maximum Span Length:	27.5 ft.	50A.	Sidewalk/Curb Left:	0.0 ft.	51.	Bridge Roadway Width:	27.7 ft.	32.	Approach Roadway Width:	17 ft.	34.	Skew:	25 Degree(s)	10.	Defense Vertical Clearance:	99.99	47.	Total Horiz. Clearance:	27.7 ft.	55A.	Min Latr. Cl. Right - Code:	N	55B.	Lateral Right:	0 ft.	<table border="0" style="width: 100%;"> <tr><td style="width: 10%;">49.</td><td style="width: 30%;">Structure Length:</td><td style="width: 30%;">29.5 ft.</td></tr> <tr><td>50B.</td><td>Sidewalk/Curb Right:</td><td>0.0 ft.</td></tr> <tr><td>52.</td><td>Deck Width (O-O)</td><td>28 ft.</td></tr> <tr><td>33.</td><td>Bridge Median:</td><td>0 (NO MEDIAN)</td></tr> <tr><td>35.</td><td>Structure Flared:</td><td>0 (NO FLARE)</td></tr> <tr><td>53.</td><td>Vertical Clearance/Deck:</td><td>99.99 ft.</td></tr> <tr><td>54A.</td><td>Min Vert Clear Code:</td><td>N</td></tr> <tr><td>54B.</td><td>Underclearance:</td><td>0 ft.</td></tr> <tr><td>56.</td><td>Lateral Left:</td><td>0 ft.</td></tr> </table>	49.	Structure Length:	29.5 ft.	50B.	Sidewalk/Curb Right:	0.0 ft.	52.	Deck Width (O-O)	28 ft.	33.	Bridge Median:	0 (NO MEDIAN)	35.	Structure Flared:	0 (NO FLARE)	53.	Vertical Clearance/Deck:	99.99 ft.	54A.	Min Vert Clear Code:	N	54B.	Underclearance:	0 ft.	56.	Lateral Left:	0 ft.
48.	Maximum Span Length:	27.5 ft.																																																					
50A.	Sidewalk/Curb Left:	0.0 ft.																																																					
51.	Bridge Roadway Width:	27.7 ft.																																																					
32.	Approach Roadway Width:	17 ft.																																																					
34.	Skew:	25 Degree(s)																																																					
10.	Defense Vertical Clearance:	99.99																																																					
47.	Total Horiz. Clearance:	27.7 ft.																																																					
55A.	Min Latr. Cl. Right - Code:	N																																																					
55B.	Lateral Right:	0 ft.																																																					
49.	Structure Length:	29.5 ft.																																																					
50B.	Sidewalk/Curb Right:	0.0 ft.																																																					
52.	Deck Width (O-O)	28 ft.																																																					
33.	Bridge Median:	0 (NO MEDIAN)																																																					
35.	Structure Flared:	0 (NO FLARE)																																																					
53.	Vertical Clearance/Deck:	99.99 ft.																																																					
54A.	Min Vert Clear Code:	N																																																					
54B.	Underclearance:	0 ft.																																																					
56.	Lateral Left:	0 ft.																																																					

STRUCTURE INVENTORY AND APPRAISAL REPORT - 2

NBI Number: 2200052
 Facility Carried: HIGHWATER RD

Bridge Number: 22-00057
 Feature(s) Intersected: MIDDLE CREEK

NAVIGATION

38. Navigational Control:	0	40. Navigational Horizontal Clearance:	0 ft.
39. Navigational Vertical Clearance:	0 ft.	116. Vertical Clearance - Lift Bridge:	ft.
111. Pier/Abutment Protection:			

CLASSIFICATION

112. NBIS Bridge Length:	Y	12. Base Highway Network:	0
104. Highway System - Over:	0 (NOT ON NHS)	13A. LRS Inventory Route:	
26. Func. Class - Over:	19 (URBAN - LOCAL)	13B. LRS Inventory Subroute:	
100. Defense Highway Des:	0	101. Parallel Structure Des:	N
102. Direction of Traffic:	2 (2-WAY TRAFFIC)	103. Temporary Structure Des:	
110. Des. Nat. Network:	0	20. Toll:	3 (ON FREE ROAD-NO TOLL)
21. Maint. Responsibility:	02 (COUNTY HIGHWAY AGENCY)	22. Owner:	02 (COUNTY HIGHWAY AGENCY)
37. Historical Significance:	5 (NOT ELIGIBLE)		

CONDITION

58. Deck:	Material: CONCRETE	Rating:	6
SATIS - HAIRLINE TRANSVERSE CRACKS			
58.01. Wearing Surface:	Material: MONOLITHIC CONCRETE	Rating:	6
SATIS - LOOSE GRAVEL & DEBRIS ON DECK			
59. Superstructure:	Material: CONCRETE	Rating:	6
SATIS - HL TRANS. CRACKS AT 12" SPACING AT CENTER OF EACH SEGMENT			
60. Substructure:	Material: CONCRETE	Rating:	7
GOOD - SMALL SPALLS ON EDGES			
61. Channel:	Material: NATURAL & RIPRAP	Rating:	7
GOOD - SLIGHT AGGRADATION, TRASH			
62. Culvert/Ret:	Material: N/A	Rating:	N
N/A			

LOAD RATING AND POSTING

31. Design Load:	5 (HS 20)	63. Oper Rating Method:	0 (FIELD EVAL AND ENG JUDGEMENT)
64. Operating Rating:	36	65. Inv Rating Method:	0 (FIELD EVAL AND ENG JUDGEMENT)
66. Inventory Rating:	36	66C. Tons Posted:	Tons
66B. Gross Tons or H Rating:	20 Tons	66D. Date Posted/Closed:	
41. Open, Posted, or Closed:	A (OPEN)	70. Bridge Posting:	5 (EQUAL TO OR ABOVE LEGAL LOADS)

STRUCTURE INVENTORY AND APPRAISAL REPORT - 3

NBI Number: 2200052
Facility Carried: HIGHWATER RD

Bridge Number: 22-00057
Feature(s) Intersected: MIDDLE CREEK

APPRAISAL

67.	Structural:	6
68.	Geometry:	4
69.	Underclearance:	N
71.	Waterway Adequacy:	5
36A.	Traffic Safety Features (Bridge Railings):	1 (MEETS ACCEPTABLE STANDARDS)
36B.	Traffic Safety Features (Transitions):	0 (DOES NOT MEET ACCEPTABLE STANDARDS/SAFETY FEATURE IS REQUIRED)
36C.	Traffic Safety Features (Approach Guardrail):	0 (DOES NOT MEET ACCEPTABLE STANDARDS/SAFETY FEATURE IS REQUIRED)
36D.	Traffic Safety Features (Approach Guardrail Ends):	0 (DOES NOT MEET ACCEPTABLE STANDARDS/SAFETY FEATURE IS REQUIRED)
72.	Roadway Alignment:	6 - CURVE & HILL SOUTH, HUMP OVER RR NORTH
	Material:	BITUMINOUS
	Comments:	ROUGH, SETTLEMENT AT BRIDGE ENDS
113.	Scour Critical Bridges:	8 (STABLE - EXCELLENT CONDITION)
	Comments:	

PROPOSED IMPROVEMENTS

75A.	Type of Work:	(NO WORK NEEDED.)
75B.	Work Done By:	0
76.	Improvement Length:	0 ft.
94.	Bridge Improvement Costs:	0 x 1000
95.	Roadway Improvement Costs:	0 x 1000
96.	Total Project Cost:	0 x 1000
97.	Year of Cost Estimate:	

RECOMMENDED MAINTENANCE

RECOMMEND INSTALLING CURRENT STD. APPR. RAIL W/END TREATMENT AND ALL B.E.M.'S.

INSPECTION DATA

90.	Date:	3/5/2020	91.	Des. Inspection Frequency:	24 Months
92.	Critical Feature Inspection:	A: N	B: N	C: N	
93.	Date:	A:	B:	C:	

Unofficial Sufficiency Rating: 85.7
Unofficial Structural and Functional Classification: 0 (OK)



LOOKING NORTH FROM ROAD



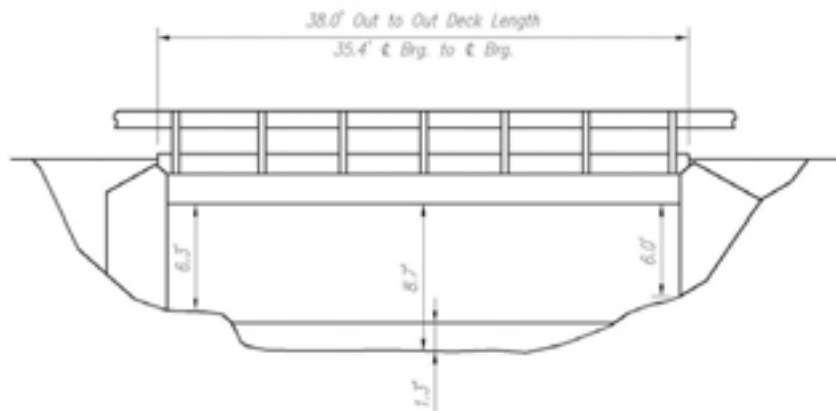
LOOKING SOUTH FROM ROAD



LOOKING EAST THROUGH CHANNEL



BEAM SEEPAGE NEAR CENTERLINE BRIDGE



See Additional Photographs

See on Township Map

FLOYD COUNTY - BRIDGE NO. 22-00058
BUDD RD over FRENCH CREEK

STRUCTURE INVENTORY AND APPRAISAL REPORT - 1

NBI Number: 2200053
 Facility Carried: BUDD RD

Bridge Number: 22-00058
 Feature(s) Intersected: FRENCH CREEK

IDENTIFICATION

1. State:	185 (INDIANA)	4. City/Town:	00000 ()
8. NBI Number:	2200053		
5. Inventory Route On:	1-4-2- 0-0	98. Border Bridge:	
2. District:	05 (SEYMOUR)	99. Border Bridge Number:	
3. County:	022 (FLOYD)		
6. Feat Intersected:	FRENCH CREEK	11. Mile Point (over):	0
7. Facility Carried:	BUDD RD	16. Latitude:	38.25898
9. Location:	00.30 S OF HIGHWATER RD	17. Longitude:	-85.861931

STRUCTURE DATA

43A. Structure Type - Main Span:	5 (PRESTRESSED CONCRETE)	44. Structure Type - Approach:	000
43B. Structure Type - Main Span - Const.	05 (ADJACENT BOX BEAM)	45. Number of Spans - Main:	1
107. Deck Structure Type:	2 (CONCRETE PRECAST)	46. Number of Spans - Approach:	0000
108A. Wearing Surface:	6 (BITUMINOUS)	108B. Membrane:	8 (UNKNOWN)
108C. Protection	0 (NONE)		

AGE OF SERVICE

27. Year Built:	1976	106. Reconstructed:	0
42A. Type of Service Over:	1 (HIGHWAY)	42B. Type of Service Under:	5 (WATERWAY)
28A. Lanes on Structure:	2	28B. Lanes Under Structure:	0
29. ADT - Over:	1376 VPD	30. ADT Year Over:	2016
114. Future ADT:	2027 VPD	115. Future ADT Year:	2036
109. Average Truck Traffic:	5 %Trucks	19. Bypass Detour Length:	7 mi.

GEOMETRIC DATA

48. Maximum Span Length:	35.9 ft.	49. Structure Length:	37.9 ft.
50A. Sidewalk/Curb Left:	0.0 ft.	50B. Sidewalk/Curb Right:	0.0 ft.
51. Bridge Roadway Width:	30.3 ft.	52. Deck Width (O-O)	32.3 ft.
32. Approach Roadway Width:	24 ft.	33. Bridge Median:	0 (NO MEDIAN)
34. Skew:	25 Degree(s)	35. Structure Flared:	0 (NO FLARE)
10. Defense Vertical Clearance:	99.99	53. Vertical Clearance/Deck:	99.99 ft.
47. Total Horiz. Clearance:	30.3 ft.	54A. Min Vert Clear Code:	N
55A. Min Latr. Cl. Right - Code:	N	54B. Underclearance:	0 ft.
55B. Lateral Right:	0 ft.	56. Lateral Left:	0 ft.

STRUCTURE INVENTORY AND APPRAISAL REPORT - 2

NBI Number: 2200053
 Facility Carried: BUDD RD

Bridge Number: 22-00058
 Feature(s) Intersected: FRENCH CREEK

NAVIGATION

38. Navigational Control:	0	40. Navigational Horizontal Clearance:	0 ft.
39. Navigational Vertical Clearance:	0 ft.	116. Vertical Clearance - Lift Bridge:	ft.
111. Pier/Abutment Protection:			

CLASSIFICATION

112. NBIS Bridge Length:	Y	12. Base Highway Network:	0
104. Highway System - Over:	0 (NOT ON NHS)	13A. LRS Inventory Route:	
26. Func. Class - Over:	08 (RURAL - MINOR COLLECTOR)	13B. LRS Inventory Subroute:	
100. Defense Highway Des:	0	101. Parallel Structure Des:	N
102. Direction of Traffic:	2 (2-WAY TRAFFIC)	103. Temporary Structure Des:	
110. Des. Nat. Network:	0	20. Toll:	3 (ON FREE ROAD-NO TOLL)
21. Maint. Responsibility:	02 (COUNTY HIGHWAY AGENCY)	22. Owner:	02 (COUNTY HIGHWAY AGENCY)
37. Historical Significance:	5 (NOT ELIGIBLE)		

CONDITION

58. Deck:	Material: CONCRETE	Rating:	7
GOOD - MINOR DEBRIS IN GUTTERS			
58.01. Wearing Surface:	Material: BITUMINOUS (5.5")	Rating:	7
GOOD - NOT FULL WIDTH			
59. Superstructure:	Material: CONCRETE	Rating:	6
SATIS - SMALL SPALLS BOTTOM BEAMS, SEEPAGE AND EFFL. BETWEEN BEAMS			
60. Substructure:	Material: CONCRETE	Rating:	6
SATIS - FULL HEIGHT HL CRACKS IN N ABUT. UNDER BEAM 3 AND 7, FULL HEIGHT HL CRACKS IN S ABUT. UNDER BEAM 3 AND 5, VERT. HL CRACK AT NW AND SW CORNERS			
61. Channel:	Material: NATURAL GRAVEL	Rating:	6
SATIS - FLOW TOWARDS SOUTH ABUTMENT			
62. Culvert/Ret:	Material: N/A	Rating:	N
N/A			

LOAD RATING AND POSTING

31. Design Load:	0 (UNKNOWN)	63. Oper Rating Method:	3 (LOAD RESISTANCE FACTOR (LRFR))
64. Operating Rating:	79	65. Inv Rating Method:	3 (LOAD AND RESISTANCE FACTOR (LRFR))
66. Inventory Rating:	55	66C. Tons Posted:	Tons
66B. Gross Tons or H Rating:	37 Tons	66D. Date Posted/Closed:	
41. Open, Posted, or Closed:	A (OPEN)	70. Bridge Posting:	5 (EQUAL TO OR ABOVE LEGAL LOADS)

STRUCTURE INVENTORY AND APPRAISAL REPORT - 3

NBI Number: 2200053
 Facility Carried: BUDD RD

Bridge Number: 22-00058
 Feature(s) Intersected: FRENCH CREEK

APPRAISAL

67.	Structural:	6
68.	Geometry:	5
69.	Underclearance:	N
71.	Waterway Adequacy:	7
36A.	Traffic Safety Features (Bridge Railings):	0 (DOES NOT MEET ACCEPTABLE STANDARDS/SAFETY FEATURE IS REQUIRED)
36B.	Traffic Safety Features (Transitions):	0 (DOES NOT MEET ACCEPTABLE STANDARDS/SAFETY FEATURE IS REQUIRED)
36C.	Traffic Safety Features (Approach Guardrail):	0 (DOES NOT MEET ACCEPTABLE STANDARDS/SAFETY FEATURE IS REQUIRED)
36D.	Traffic Safety Features (Approach Guardrail Ends):	0 (DOES NOT MEET ACCEPTABLE STANDARDS/SAFETY FEATURE IS REQUIRED)
72.	Roadway Alignment:	8 - TANGENT, UPGRADE TO HILL NORTH
	Material:	BITUMINOUS
	Comments:	EDGE DROP-OFFS
113.	Scour Critical Bridges:	8 (STABLE - EXCELLENT CONDITION)
	Comments:	

PROPOSED IMPROVEMENTS

75A.	Type of Work:	(NO WORK NEEDED.)
75B.	Work Done By:	0
76.	Improvement Length:	0 ft.
94.	Bridge Improvement Costs:	0 x 1000
95.	Roadway Improvement Costs:	0 x 1000
96.	Total Project Cost:	0 x 1000
97.	Year of Cost Estimate:	

RECOMMENDED MAINTENANCE

RECOMMEND INSTALLING CURRENT STD. BRIDGE & APPR. RAIL W/END TREATMENT AND NE & SW B.E.M.'S.

INSPECTION DATA

90.	Date:	3/3/2020	91.	Des. Inspection Frequency:	24 Months
92.	Critical Feature Inspection:	A: N	B: N	C: N	
93.	Date:	A:	B:	C:	
	Unofficial Sufficiency Rating:	91.5			
	Unofficial Structural and Functional Classification:	0 (OK)			



LOOKING SOUTH FROM ROAD



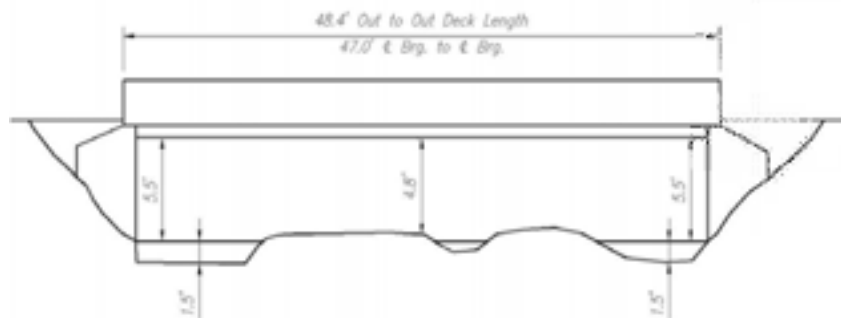
LOOKING NORTH FROM ROAD



LOOKING EAST FROM CHANNEL



LOOKING WEST AT SILT BUILDUP



See on
Township Map

FLOYD COUNTY - BRIDGE NO. 22-00060 B
BORDEN ROAD over BRANCH OF JERSEY PARK CR

STRUCTURE INVENTORY AND APPRAISAL REPORT - 1

NBI Number: 2200107
 Facility Carried: BORDEN ROAD

Bridge Number: 22-00060 B
 Feature(s) Intersected: BRANCH OF JERSEY PARK CR

IDENTIFICATION

<table border="0" style="width: 100%;"> <tr><td style="width: 10%;">1.</td><td style="width: 30%;">State:</td><td style="width: 60%;">185 (INDIANA)</td></tr> <tr><td>8.</td><td>NBI Number:</td><td>2200107</td></tr> <tr><td>5.</td><td>Inventory Route On:</td><td>1-4-1- 0-0</td></tr> <tr><td>2.</td><td>District:</td><td>05 (SEYMOUR)</td></tr> <tr><td>3.</td><td>County:</td><td>022 (FLOYD)</td></tr> <tr><td>6.</td><td>Feat Intersected:</td><td>BRANCH OF JERSEY PARK CR</td></tr> <tr><td>7.</td><td>Facility Carried:</td><td>BORDEN ROAD</td></tr> <tr><td>9.</td><td>Location:</td><td>00.10 N OF RUFFING ROAD</td></tr> </table>	1.	State:	185 (INDIANA)	8.	NBI Number:	2200107	5.	Inventory Route On:	1-4-1- 0-0	2.	District:	05 (SEYMOUR)	3.	County:	022 (FLOYD)	6.	Feat Intersected:	BRANCH OF JERSEY PARK CR	7.	Facility Carried:	BORDEN ROAD	9.	Location:	00.10 N OF RUFFING ROAD	<table border="0" style="width: 100%;"> <tr><td style="width: 10%;">4.</td><td style="width: 30%;">City/Town:</td><td style="width: 60%;">00000 ()</td></tr> <tr><td>98.</td><td>Border Bridge:</td><td></td></tr> <tr><td>99.</td><td>Border Bridge Number:</td><td></td></tr> <tr><td>11.</td><td>Mile Point (over):</td><td>0</td></tr> <tr><td>16.</td><td>Latitude:</td><td>38.38759</td></tr> <tr><td>17.</td><td>Longitude:</td><td>-85.96672</td></tr> </table>	4.	City/Town:	00000 ()	98.	Border Bridge:		99.	Border Bridge Number:		11.	Mile Point (over):	0	16.	Latitude:	38.38759	17.	Longitude:	-85.96672
1.	State:	185 (INDIANA)																																									
8.	NBI Number:	2200107																																									
5.	Inventory Route On:	1-4-1- 0-0																																									
2.	District:	05 (SEYMOUR)																																									
3.	County:	022 (FLOYD)																																									
6.	Feat Intersected:	BRANCH OF JERSEY PARK CR																																									
7.	Facility Carried:	BORDEN ROAD																																									
9.	Location:	00.10 N OF RUFFING ROAD																																									
4.	City/Town:	00000 ()																																									
98.	Border Bridge:																																										
99.	Border Bridge Number:																																										
11.	Mile Point (over):	0																																									
16.	Latitude:	38.38759																																									
17.	Longitude:	-85.96672																																									

STRUCTURE DATA

<table border="0" style="width: 100%;"> <tr><td style="width: 10%;">43A.</td><td style="width: 30%;">Structure Type - Main Span:</td><td style="width: 60%;">6 (CONT PRESTR CONCRETE)</td></tr> <tr><td>43B.</td><td>Structure Type - Main Span - Const.</td><td>05 (ADJACENT BOX BEAM)</td></tr> <tr><td>107.</td><td>Deck Structure Type:</td><td>1 (CONCRETE CAST-IN-PLACE)</td></tr> <tr><td>108A.</td><td>Wearing Surface:</td><td>1 (MONOLITHIC CONCRETE)</td></tr> <tr><td>108C.</td><td>Protection</td><td>0 (NONE)</td></tr> </table>	43A.	Structure Type - Main Span:	6 (CONT PRESTR CONCRETE)	43B.	Structure Type - Main Span - Const.	05 (ADJACENT BOX BEAM)	107.	Deck Structure Type:	1 (CONCRETE CAST-IN-PLACE)	108A.	Wearing Surface:	1 (MONOLITHIC CONCRETE)	108C.	Protection	0 (NONE)	<table border="0" style="width: 100%;"> <tr><td style="width: 10%;">44.</td><td style="width: 30%;">Structure Type - Approach:</td><td style="width: 60%;">000</td></tr> <tr><td>45.</td><td>Number of Spans - Main:</td><td>1</td></tr> <tr><td>46.</td><td>Number of Spans - Approach:</td><td>0000</td></tr> <tr><td>108B.</td><td>Membrane:</td><td>8 (UNKNOWN)</td></tr> </table>	44.	Structure Type - Approach:	000	45.	Number of Spans - Main:	1	46.	Number of Spans - Approach:	0000	108B.	Membrane:	8 (UNKNOWN)
43A.	Structure Type - Main Span:	6 (CONT PRESTR CONCRETE)																										
43B.	Structure Type - Main Span - Const.	05 (ADJACENT BOX BEAM)																										
107.	Deck Structure Type:	1 (CONCRETE CAST-IN-PLACE)																										
108A.	Wearing Surface:	1 (MONOLITHIC CONCRETE)																										
108C.	Protection	0 (NONE)																										
44.	Structure Type - Approach:	000																										
45.	Number of Spans - Main:	1																										
46.	Number of Spans - Approach:	0000																										
108B.	Membrane:	8 (UNKNOWN)																										

AGE OF SERVICE

<table border="0" style="width: 100%;"> <tr><td style="width: 10%;">27.</td><td style="width: 30%;">Year Built:</td><td style="width: 60%;">2013</td></tr> <tr><td>42A.</td><td>Type of Service Over:</td><td>1 (HIGHWAY)</td></tr> <tr><td>28A.</td><td>Lanes on Structure:</td><td>2</td></tr> <tr><td>29.</td><td>ADT - Over:</td><td>567 VPD</td></tr> <tr><td>114.</td><td>Future ADT:</td><td>836 VPD</td></tr> <tr><td>109.</td><td>Average Truck Traffic:</td><td>5 %Trucks</td></tr> </table>	27.	Year Built:	2013	42A.	Type of Service Over:	1 (HIGHWAY)	28A.	Lanes on Structure:	2	29.	ADT - Over:	567 VPD	114.	Future ADT:	836 VPD	109.	Average Truck Traffic:	5 %Trucks	<table border="0" style="width: 100%;"> <tr><td style="width: 10%;">106.</td><td style="width: 30%;">Reconstructed:</td><td style="width: 60%;">0</td></tr> <tr><td>42B.</td><td>Type of Service Under:</td><td>5 (WATERWAY)</td></tr> <tr><td>28B.</td><td>Lanes Under Structure:</td><td>0</td></tr> <tr><td>30.</td><td>ADT Year Over:</td><td>2016</td></tr> <tr><td>115.</td><td>Future ADT Year:</td><td>2036</td></tr> <tr><td>19.</td><td>Bypass Detour Length:</td><td>4 mi.</td></tr> </table>	106.	Reconstructed:	0	42B.	Type of Service Under:	5 (WATERWAY)	28B.	Lanes Under Structure:	0	30.	ADT Year Over:	2016	115.	Future ADT Year:	2036	19.	Bypass Detour Length:	4 mi.
27.	Year Built:	2013																																			
42A.	Type of Service Over:	1 (HIGHWAY)																																			
28A.	Lanes on Structure:	2																																			
29.	ADT - Over:	567 VPD																																			
114.	Future ADT:	836 VPD																																			
109.	Average Truck Traffic:	5 %Trucks																																			
106.	Reconstructed:	0																																			
42B.	Type of Service Under:	5 (WATERWAY)																																			
28B.	Lanes Under Structure:	0																																			
30.	ADT Year Over:	2016																																			
115.	Future ADT Year:	2036																																			
19.	Bypass Detour Length:	4 mi.																																			

GEOMETRIC DATA

<table border="0" style="width: 100%;"> <tr><td style="width: 10%;">48.</td><td style="width: 30%;">Maximum Span Length:</td><td style="width: 60%;">47 ft.</td></tr> <tr><td>50A.</td><td>Sidewalk/Curb Left:</td><td>0.0 ft.</td></tr> <tr><td>51.</td><td>Bridge Roadway Width:</td><td>27 ft.</td></tr> <tr><td>32.</td><td>Approach Roadway Width:</td><td>20 ft.</td></tr> <tr><td>34.</td><td>Skew:</td><td>45 Degree(s)</td></tr> <tr><td>10.</td><td>Defense Vertical Clearance:</td><td>99.99</td></tr> <tr><td>47.</td><td>Total Horiz. Clearance:</td><td>26.2 ft.</td></tr> <tr><td>55A.</td><td>Min Latr. Cl. Right - Code:</td><td>N</td></tr> <tr><td>55B.</td><td>Lateral Right:</td><td>0 ft.</td></tr> </table>	48.	Maximum Span Length:	47 ft.	50A.	Sidewalk/Curb Left:	0.0 ft.	51.	Bridge Roadway Width:	27 ft.	32.	Approach Roadway Width:	20 ft.	34.	Skew:	45 Degree(s)	10.	Defense Vertical Clearance:	99.99	47.	Total Horiz. Clearance:	26.2 ft.	55A.	Min Latr. Cl. Right - Code:	N	55B.	Lateral Right:	0 ft.	<table border="0" style="width: 100%;"> <tr><td style="width: 10%;">49.</td><td style="width: 30%;">Structure Length:</td><td style="width: 60%;">48.4 ft.</td></tr> <tr><td>50B.</td><td>Sidewalk/Curb Right:</td><td>0.0 ft.</td></tr> <tr><td>52.</td><td>Deck Width (O-O)</td><td>31 ft.</td></tr> <tr><td>33.</td><td>Bridge Median:</td><td>0 (NO MEDIAN)</td></tr> <tr><td>35.</td><td>Structure Flared:</td><td>0 (NO FLARE)</td></tr> <tr><td>53.</td><td>Vertical Clearance/Deck:</td><td>99.99 ft.</td></tr> <tr><td>54A.</td><td>Min Vert Clear Code:</td><td>N</td></tr> <tr><td>54B.</td><td>Underclearance:</td><td>0 ft.</td></tr> <tr><td>56.</td><td>Lateral Left:</td><td>0 ft.</td></tr> </table>	49.	Structure Length:	48.4 ft.	50B.	Sidewalk/Curb Right:	0.0 ft.	52.	Deck Width (O-O)	31 ft.	33.	Bridge Median:	0 (NO MEDIAN)	35.	Structure Flared:	0 (NO FLARE)	53.	Vertical Clearance/Deck:	99.99 ft.	54A.	Min Vert Clear Code:	N	54B.	Underclearance:	0 ft.	56.	Lateral Left:	0 ft.
48.	Maximum Span Length:	47 ft.																																																					
50A.	Sidewalk/Curb Left:	0.0 ft.																																																					
51.	Bridge Roadway Width:	27 ft.																																																					
32.	Approach Roadway Width:	20 ft.																																																					
34.	Skew:	45 Degree(s)																																																					
10.	Defense Vertical Clearance:	99.99																																																					
47.	Total Horiz. Clearance:	26.2 ft.																																																					
55A.	Min Latr. Cl. Right - Code:	N																																																					
55B.	Lateral Right:	0 ft.																																																					
49.	Structure Length:	48.4 ft.																																																					
50B.	Sidewalk/Curb Right:	0.0 ft.																																																					
52.	Deck Width (O-O)	31 ft.																																																					
33.	Bridge Median:	0 (NO MEDIAN)																																																					
35.	Structure Flared:	0 (NO FLARE)																																																					
53.	Vertical Clearance/Deck:	99.99 ft.																																																					
54A.	Min Vert Clear Code:	N																																																					
54B.	Underclearance:	0 ft.																																																					
56.	Lateral Left:	0 ft.																																																					

STRUCTURE INVENTORY AND APPRAISAL REPORT - 2

NBI Number: 2200107 Facility Carried: BORDEN ROAD	Bridge Number: 22-00060 B Feature(s) Intersected: BRANCH OF JERSEY PARK CR
--	---

NAVIGATION

38. Navigational Control: 0	40. Navigational Horizontal Clearance: 0 ft.
39. Navigational Vertical Clearance: 0 ft.	116. Vertical Clearance - Lift Bridge: ft.
111. Pier/Abutment Protection:	

CLASSIFICATION

112. NBIS Bridge Length: Y	12. Base Highway Network: 0
104. Highway System - Over: 0 (NOT ON NHS)	13A. LRS Inventory Route:
26. Func. Class - Over: 07 (RURAL - MAJOR COLLECTOR)	13B. LRS Inventory Subroute:
100. Defense Highway Des: 0	101. Parallel Structure Des: N
102. Direction of Traffic: 2 (2-WAY TRAFFIC)	103. Temporary Structure Des:
110. Des. Nat. Network: 0	20. Toll: 3 (ON FREE ROAD-NO TOLL)
21. Maint. Responsibility: 02 (COUNTY HIGHWAY AGENCY)	22. Owner: 02 (COUNTY HIGHWAY AGENCY)
37. Historical Significance: 5 (NOT ELIGIBLE)	

CONDITION

58. Deck: VERY GOOD - LONG. CRACKS	Material: CONCRETE	Rating: 8
58.01. Wearing Surface: GOOD - GRAVEL IN GUTTERS, LONG. CRACKS	Material: CONCRETE	Rating: 7
59. Superstructure: EXCELLENT - NO MAJOR DEFECTS	Material: CONCRETE	Rating: 9
60. Substructure: VERY GOOD - NW & SW CORNERS TOP OF FTG. EXP., VERTICAL HAIRLINE CRACKS	Material: CONCRETE	Rating: 8
61. Channel: SATIS - SILT GRAVEL BUILDUP	Material: RIPRAP & NATURAL	Rating: 6
62. Culvert/Ret: N/A	Material: N/A	Rating: N

LOAD RATING AND POSTING

31. Design Load: 5 (HS 20)	63. Oper Rating Method: 0 (FIELD EVAL AND ENG JUDGEMENT)
64. Operating Rating: 36	65. Inv Rating Method: 0 (FIELD EVAL AND ENG JUDGEMENT)
66. Inventory Rating: 36	66C. Tons Posted: Tons
66B. Gross Tons or H Rating: 20 Tons	66D. Date Posted/Closed:
41. Open, Posted, or Closed: A (OPEN)	70. Bridge Posting: 5 (EQUAL TO OR ABOVE LEGAL LOADS)

STRUCTURE INVENTORY AND APPRAISAL REPORT - 3

NBI Number: 2200107
Facility Carried: BORDEN ROAD

Bridge Number: 22-00060 B
Feature(s) Intersected: BRANCH OF JERSEY PARK CR

APPRAISAL

67.	Structural:	8
68.	Geometry:	5
69.	Underclearance:	N
71.	Waterway Adequacy:	8
36A.	Traffic Safety Features (Bridge Railings):	1 (MEETS ACCEPTABLE STANDARDS)
36B.	Traffic Safety Features (Transitions):	1 (MEETS ACCEPTABLE STANDARDS)
36C.	Traffic Safety Features (Approach Guardrail):	1 (MEETS ACCEPTABLE STANDARDS)
36D.	Traffic Safety Features (Approach Guardrail Ends):	1 (MEETS ACCEPTABLE STANDARDS)
72.	Roadway Alignment:	8 - TANGENT, CURVE TO S, DRIVES IN SW & NE
	Material:	BITUMINOUS
	Comments:	LONG. CRACKS
113.	Scour Critical Bridges:	5 (STABLE - WITHIN LIMITS)
	Comments:	

PROPOSED IMPROVEMENTS

75A.	Type of Work:	(NO WORK NEEDED.)
75B.	Work Done By:	0
76.	Improvement Length:	0 ft.
94.	Bridge Improvement Costs:	0 x 1000
95.	Roadway Improvement Costs:	0 x 1000
96.	Total Project Cost:	0 x 1000
97.	Year of Cost Estimate:	

RECOMMENDED MAINTENANCE

RECOMMEND CLEANING DEBRIS FROM DECK AND CLEARING SILT/ GRAVEL FROM CHANNEL.

INSPECTION DATA

90.	Date:	3/5/2020	91.	Des. Inspection Frequency:	24 Months
92.	Critical Feature Inspection:	A: N	B: N	C: N	
93.	Date:	A:	B:	C:	
	Unofficial Sufficiency Rating:	95.8			
	Unofficial Structural and Functional Classification:	0 (OK)			



LOOKING NORTH FROM ROAD



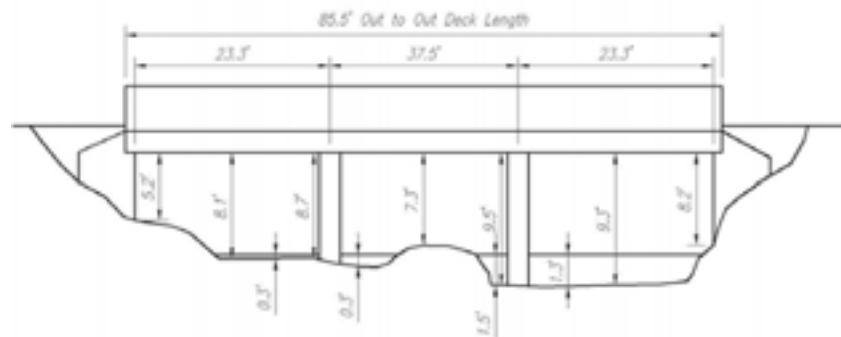
LOOKING SOUTH FROM ROAD



LOOKING EAST FROM CHANNEL



SOUTH AT SOUTH PIER



See on
Township Map

FLOYD COUNTY - BRIDGE NO. 22-00061
BUDD RD over KNOB CREEK

STRUCTURE INVENTORY AND APPRAISAL REPORT - 1

NBI Number: 2200055
 Facility Carried: BUDD RD

Bridge Number: 22-00061
 Feature(s) Intersected: KNOB CREEK

IDENTIFICATION

<p>1. State: 185 (INDIANA)</p> <p>8. NBI Number: 2200055</p> <p>5. Inventory Route On: 1-4-2- 0-0</p> <p>2. District: 05 (SEYMOUR)</p> <p>3. County: 022 (FLOYD)</p> <p>6. Feat Intersected: KNOB CREEK</p> <p>7. Facility Carried: BUDD RD</p> <p>9. Location: 00.00 INT MCARTHY/KNOB RD</p>	<p>4. City/Town: 00000 ()</p> <p>98. Border Bridge:</p> <p>99. Border Bridge Number:</p> <p>11. Mile Point (over): 0</p> <p>16. Latitude: 38.24371</p> <p>17. Longitude: -85.896011</p>
---	---

STRUCTURE DATA

<p>43A. Structure Type - Main Span: 5 (PRESTRESSED CONCRETE)</p> <p>43B. Structure Type - Main Span - Const. 05 (ADJACENT BOX BEAM)</p> <p>107. Deck Structure Type: 2 (CONCRETE PRECAST)</p> <p>108A. Wearing Surface: 1 (MONOLITHIC CONCRETE)</p> <p>108C. Protection 0 (NONE)</p>	<p>44. Structure Type - Approach: 000</p> <p>45. Number of Spans - Main: 3</p> <p>46. Number of Spans - Approach: 0000</p> <p>108B. Membrane: 8 (UNKNOWN)</p>
--	---

AGE OF SERVICE

<p>27. Year Built: 2004</p> <p>42A. Type of Service Over: 1 (HIGHWAY)</p> <p>28A. Lanes on Structure: 2</p> <p>29. ADT - Over: 793 VPD</p> <p>114. Future ADT: 1168 VPD</p> <p>109. Average Truck Traffic: 5 %Trucks</p>	<p>106. Reconstructed: 0</p> <p>42B. Type of Service Under: 5 (WATERWAY)</p> <p>28B. Lanes Under Structure: 0</p> <p>30. ADT Year Over: 2016</p> <p>115. Future ADT Year: 2036</p> <p>19. Bypass Detour Length: 9 mi.</p>
--	---

GEOMETRIC DATA

<p>48. Maximum Span Length: 37.5 ft.</p> <p>50A. Sidewalk/Curb Left: 0.0 ft.</p> <p>51. Bridge Roadway Width: 29 ft.</p> <p>32. Approach Roadway Width: 22 ft.</p> <p>34. Skew: 35 Degree(s)</p> <p>10. Defense Vertical Clearance: 99.99</p> <p>47. Total Horiz. Clearance: 29 ft.</p> <p>55A. Min Latr. Cl. Right - Code: N</p> <p>55B. Lateral Right: 0 ft.</p>	<p>49. Structure Length: 85.5 ft.</p> <p>50B. Sidewalk/Curb Right: 0.0 ft.</p> <p>52. Deck Width (O-O) 32 ft.</p> <p>33. Bridge Median: 0 (NO MEDIAN)</p> <p>35. Structure Flared: 0 (NO FLARE)</p> <p>53. Vertical Clearance/Deck: 99.99 ft.</p> <p>54A. Min Vert Clear Code: N</p> <p>54B. Underclearance: 0 ft.</p> <p>56. Lateral Left: 0 ft.</p>
--	---

STRUCTURE INVENTORY AND APPRAISAL REPORT - 2

NBI Number: 2200055
 Facility Carried: BUDD RD

Bridge Number: 22-00061
 Feature(s) Intersected: KNOB CREEK

NAVIGATION

38. Navigational Control: 0 39. Navigational Vertical Clearance: 0 ft. 111. Pier/Abutment Protection:		40. Navigational Horizontal Clearance: 0 ft. 116. Vertical Clearance - Lift Bridge: ft.
---	--	--

CLASSIFICATION

112. NBIS Bridge Length: Y 104. Highway System - Over: 0 (NOT ON NHS) 26. Func. Class - Over: 08 (RURAL - MINOR COLLECTOR) 100. Defense Highway Des: 0 102. Direction of Traffic: 2 (2-WAY TRAFFIC) 110. Des. Nat. Network: 0 21. Maint. Responsibility: 02 (COUNTY HIGHWAY AGENCY) 37. Historical Significance: 5 (NOT ELIGIBLE)		12. Base Highway Network: 0 13A. LRS Inventory Route: 13B. LRS Inventory Subroute: 101. Parallel Structure Des: N 103. Temporary Structure Des: 20. Toll: 3 (ON FREE ROAD-NO TOLL) 22. Owner: 02 (COUNTY HIGHWAY AGENCY)
---	--	--

CONDITION

58. Deck:	Material: CONCRETE	Rating:	7
GOOD - HAIRLINE CRACKS			
58.01. Wearing Surface:	Material: INTEGRAL CONCRETE	Rating:	7
GOOD - RANDOM HAIRLINE CRACKS			
59. Superstructure:	Material: CONCRETE	Rating:	8
VERY GOOD - NO MAJOR DEFECTS			
60. Substructure:	Material: CONCRETE	Rating:	8
VERY GOOD - NO MAJOR DEFECTS			
61. Channel:	Material: RIPRAP & NATURAL GRAVEL BOTTOM	Rating:	7
GOOD - AGGRADATION, SMALL TREES GROWING IN CHANNEL DOWNSTREAM			
62. Culvert/Ret:	Material: N/A	Rating:	N
N/A			

LOAD RATING AND POSTING

31. Design Load: 5 (HS 20) 64. Operating Rating: 75 66. Inventory Rating: 55 66B. Gross Tons or H Rating: 41 Tons 41. Open, Posted, or Closed: A (OPEN)		63. Oper Rating Method: 3 (LOAD RESISTANCE FACTOR (LRFR)) 65. Inv Rating Method: 3 (LOAD AND RESISTANCE FACTOR (LRFR)) 66C. Tons Posted: Tons 66D. Date Posted/Closed: 70. Bridge Posting: 5 (EQUAL TO OR ABOVE LEGAL LOADS)
---	--	--

STRUCTURE INVENTORY AND APPRAISAL REPORT - 3

NBI Number: 2200055
Facility Carried: BUDD RD

Bridge Number: 22-00061
Feature(s) Intersected: KNOB CREEK

APPRAISAL

67.	Structural:	8
68.	Geometry:	5
69.	Underclearance:	N
71.	Waterway Adequacy:	7
36A.	Traffic Safety Features (Bridge Railings):	1 (MEETS ACCEPTABLE STANDARDS)
36B.	Traffic Safety Features (Transitions):	1 (MEETS ACCEPTABLE STANDARDS)
36C.	Traffic Safety Features (Approach Guardrail):	1 (MEETS ACCEPTABLE STANDARDS)
36D.	Traffic Safety Features (Approach Guardrail Ends):	1 (MEETS ACCEPTABLE STANDARDS)
72.	Roadway Alignment:	6 - CURVE EACH END, BRIDGE ON SLIGHT HUMP
	Material:	BITUMINOUS
	Comments:	NEW BITUMINOUS OVERLAY
113.	Scour Critical Bridges:	8 (STABLE - EXCELLENT CONDITION)
	Comments:	

PROPOSED IMPROVEMENTS

75A.	Type of Work:	(NO WORK NEEDED.)
75B.	Work Done By:	0
76.	Improvement Length:	0 ft.
94.	Bridge Improvement Costs:	0 x 1000
95.	Roadway Improvement Costs:	0 x 1000
96.	Total Project Cost:	0 x 1000
97.	Year of Cost Estimate:	

RECOMMENDED MAINTENANCE

RECOMMEND INSTALLING CURRENT STD. NE & SW B.E.M.'S

INSPECTION DATA

90.	Date:	3/3/2020	91.	Des. Inspection Frequency:	24 Months
92.	Critical Feature Inspection:	A: N	B: N	C: N	
93.	Date:	A:	B:	C:	
	Unofficial Sufficiency Rating:	92.2			
	Unofficial Structural and Functional Classification:	0 (OK)			



LOOKING EAST FROM ROAD



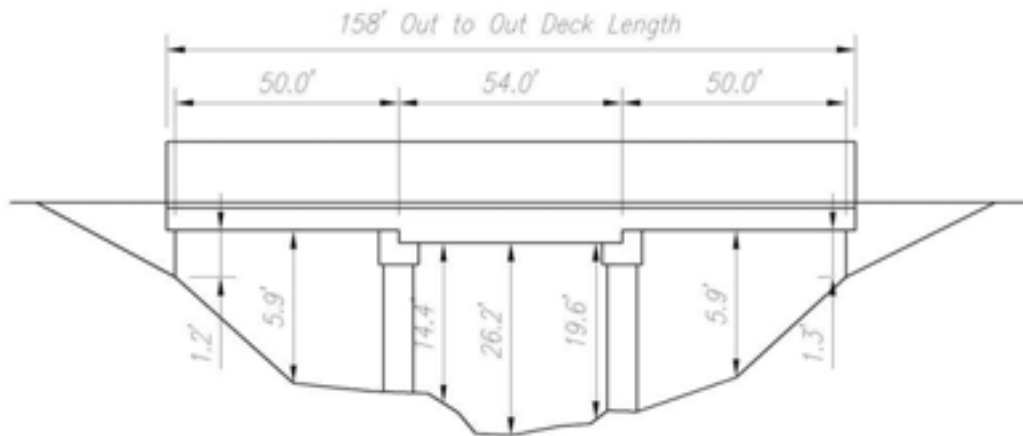
LOOKING WEST FROM ROAD



LOOKING SOUTH THROUGH CHANNEL



LOOKING EAST AT EAST PIER



See on
Township Map

FLOYD COUNTY - BRIDGE NO. 22-00062
OLD RIVER RD over MIDDLE CREEK

STRUCTURE INVENTORY AND APPRAISAL REPORT - 1

NBI Number: 2200056
 Facility Carried: OLD RIVER RD

Bridge Number: 22-00062
 Feature(s) Intersected: MIDDLE CREEK

IDENTIFICATION

<p>1. State: 185 (INDIANA)</p> <p>8. NBI Number: 2200056</p> <p>5. Inventory Route On: 1-4-2- 0-0</p> <p>2. District: 05 (SEYMOUR)</p> <p>3. County: 022 (FLOYD)</p> <p>6. Feat Intersected: MIDDLE CREEK</p> <p>7. Facility Carried: OLD RIVER RD</p> <p>9. Location: 00.30 E OF HWY 111</p>	<p>4. City/Town: 00000 ()</p> <p>98. Border Bridge:</p> <p>99. Border Bridge Number:</p> <p>11. Mile Point (over): 0</p> <p>16. Latitude: 38.22569</p> <p>17. Longitude: -85.85272</p>
---	--

STRUCTURE DATA

<p>43A. Structure Type - Main Span: 5 (PRESTRESSED CONCRETE)</p> <p>43B. Structure Type - Main Span - Const. 06 (SPREAD BOX BEAM)</p> <p>107. Deck Structure Type: 1 (CONCRETE CAST-IN-PLACE)</p> <p>108A. Wearing Surface: 1 (MONOLITHIC CONCRETE)</p> <p>108C. Protection 1 (EPOXY COATED REINFORCING)</p>	<p>44. Structure Type - Approach: 000</p> <p>45. Number of Spans - Main: 3</p> <p>46. Number of Spans - Approach: 0000</p> <p>108B. Membrane: 8 (UNKNOWN)</p>
--	---

AGE OF SERVICE

<p>27. Year Built: 1999</p> <p>42A. Type of Service Over: 1 (HIGHWAY)</p> <p>28A. Lanes on Structure: 2</p> <p>29. ADT - Over: 421 VPD</p> <p>114. Future ADT: 620 VPD</p> <p>109. Average Truck Traffic: 3 %Trucks</p>	<p>106. Reconstructed: 0</p> <p>42B. Type of Service Under: 5 (WATERWAY)</p> <p>28B. Lanes Under Structure: 0</p> <p>30. ADT Year Over: 2016</p> <p>115. Future ADT Year: 2036</p> <p>19. Bypass Detour Length: 5 mi.</p>
---	---

GEOMETRIC DATA

<p>48. Maximum Span Length: 54 ft.</p> <p>50A. Sidewalk/Curb Left: 0.0 ft.</p> <p>51. Bridge Roadway Width: 25.8 ft.</p> <p>32. Approach Roadway Width: 24 ft.</p> <p>34. Skew: 25 Degree(s)</p> <p>10. Defense Vertical Clearance: 99.99</p> <p>47. Total Horiz. Clearance: 25.8 ft.</p> <p>55A. Min Latr. Cl. Right - Code: N</p> <p>55B. Lateral Right: 0 ft.</p>	<p>49. Structure Length: 158 ft.</p> <p>50B. Sidewalk/Curb Right: 0.0 ft.</p> <p>52. Deck Width (O-O) 29 ft.</p> <p>33. Bridge Median: 0 (NO MEDIAN)</p> <p>35. Structure Flared: 0 (NO FLARE)</p> <p>53. Vertical Clearance/Deck: 99.99 ft.</p> <p>54A. Min Vert Clear Code: N</p> <p>54B. Underclearance: 0 ft.</p> <p>56. Lateral Left: 0 ft.</p>
--	--

STRUCTURE INVENTORY AND APPRAISAL REPORT - 2

NBI Number: 2200056
 Facility Carried: OLD RIVER RD

Bridge Number: 22-00062
 Feature(s) Intersected: MIDDLE CREEK

NAVIGATION

38. Navigational Control:	0	40. Navigational Horizontal Clearance:	0 ft.
39. Navigational Vertical Clearance:	0 ft.	116. Vertical Clearance - Lift Bridge:	ft.
111. Pier/Abutment Protection:			

CLASSIFICATION

112. NBIS Bridge Length:	Y	12. Base Highway Network:	0
104. Highway System - Over:	0 (NOT ON NHS)	13A. LRS Inventory Route:	
26. Func. Class - Over:	09 (RURAL - LOCAL)	13B. LRS Inventory Subroute:	
100. Defense Highway Des:	0	101. Parallel Structure Des:	N
102. Direction of Traffic:	2 (2-WAY TRAFFIC)	103. Temporary Structure Des:	
110. Des. Nat. Network:	0	20. Toll:	3 (ON FREE ROAD-NO TOLL)
21. Maint. Responsibility:	02 (COUNTY HIGHWAY AGENCY)	22. Owner:	02 (COUNTY HIGHWAY AGENCY)
37. Historical Significance:	5 (NOT ELIGIBLE)		

CONDITION

58. Deck:	Material: CONCRETE	Rating:	8
VERY GOOD - NO MAJOR DEFECTS			
58.01. Wearing Surface:	Material: INTEGRAL CONCRETE	Rating:	8
VERY GOOD - DEBRIS IN GUTTERS & DRAINS			
59. Superstructure:	Material: CONCRETE	Rating:	8
VERY GOOD - NO MAJOR DEFECTS			
60. Substructure:	Material: CONCRETE	Rating:	8
VERY GOOD - NO MAJOR DEFECTS			
61. Channel:	Material: RIPRAP & NATURAL	Rating:	8
VERY GOOD - STEEP BANKS			
62. Culvert/Ret:	Material: N/A	Rating:	N
N/A			

LOAD RATING AND POSTING

31. Design Load:	5 (HS 20)	63. Oper Rating Method:	3 (LOAD RESISTANCE FACTOR (LRFR))
64. Operating Rating:	70	65. Inv Rating Method:	3 (LOAD AND RESISTANCE FACTOR (LRFR))
66. Inventory Rating:	70	66C. Tons Posted:	Tons
66B. Gross Tons or H Rating:	52 Tons	66D. Date Posted/Closed:	
41. Open, Posted, or Closed:	A (OPEN)	70. Bridge Posting:	5 (EQUAL TO OR ABOVE LEGAL LOADS)

STRUCTURE INVENTORY AND APPRAISAL REPORT - 3

NBI Number: 2200056
Facility Carried: OLD RIVER RD

Bridge Number: 22-00062
Feature(s) Intersected: MIDDLE CREEK

APPRAISAL

67.	Structural:	8
68.	Geometry:	5
69.	Underclearance:	N
71.	Waterway Adequacy:	7
36A.	Traffic Safety Features (Bridge Railings):	1 (MEETS ACCEPTABLE STANDARDS)
36B.	Traffic Safety Features (Transitions):	1 (MEETS ACCEPTABLE STANDARDS)
36C.	Traffic Safety Features (Approach Guardrail):	1 (MEETS ACCEPTABLE STANDARDS)
36D.	Traffic Safety Features (Approach Guardrail Ends):	1 (MEETS ACCEPTABLE STANDARDS)
72.	Roadway Alignment:	6 - CURVE EACH END, NEARLY LEVEL
	Material:	CONCRETE / BITUMINOUS
	Comments:	CRACKS IN APPROACH SLABS
113.	Scour Critical Bridges:	5 (STABLE - WITHIN LIMITS)
	Comments:	

PROPOSED IMPROVEMENTS

75A.	Type of Work:	(NO WORK NEEDED.)
75B.	Work Done By:	0
76.	Improvement Length:	0 ft.
94.	Bridge Improvement Costs:	0 x 1000
95.	Roadway Improvement Costs:	0 x 1000
96.	Total Project Cost:	0 x 1000
97.	Year of Cost Estimate:	

RECOMMENDED MAINTENANCE

RECOMMEND REMOVING DEBRIS FROM GUTTERS.

INSPECTION DATA

90.	Date:	3/5/2020	91.	Des. Inspection Frequency:	24 Months
92.	Critical Feature Inspection:	A: N	B: N	C: N	
93.	Date:	A:	B:	C:	
	Unofficial Sufficiency Rating:	94.3			
	Unofficial Structural and Functional Classification:	0 (OK)			



LOOKING WEST FROM ROAD



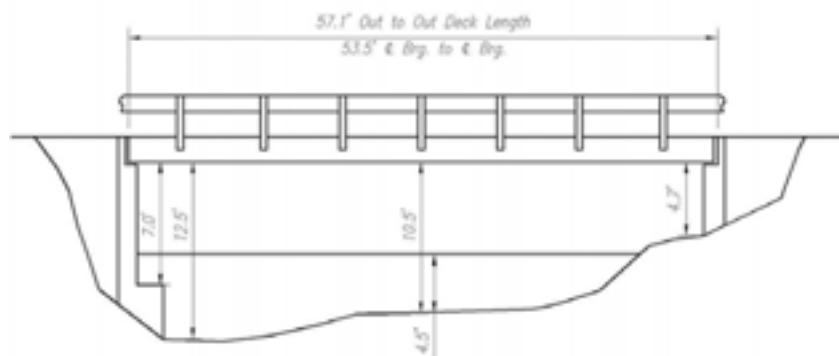
LOOKING EAST FROM ROAD



LOOKING NORTH THROUGH CHANNEL



LOOKING EAST AT ABUTMENT



See Additional
Photographs

See on
Township Map

FLOYD COUNTY - BRIDGE NO. 22-00063
FIVE MILE LN over KNOB CREEK

STRUCTURE INVENTORY AND APPRAISAL REPORT - 1

NBI Number: 2200057
 Facility Carried: FIVE MILE LN

Bridge Number: 22-00063
 Feature(s) Intersected: KNOB CREEK

IDENTIFICATION

1.	State:	185 (INDIANA)	4.	City/Town:	00000 ()
8.	NBI Number:	2200057	98.	Border Bridge:	
5.	Inventory Route On:	1-4-2- 0-0	99.	Border Bridge Number:	
2.	District:	05 (SEYMOUR)	11.	Mile Point (over):	0
3.	County:	022 (FLOYD)	16.	Latitude:	38.21503
6.	Feat Intersected:	KNOB CREEK	17.	Longitude:	-85.893494
7.	Facility Carried:	FIVE MILE LN			
9.	Location:	00.10 W OF DAILY RD			

STRUCTURE DATA

43A.	Structure Type - Main Span:	5 (PRESTRESSED CONCRETE)	44.	Structure Type - Approach:	000
43B.	Structure Type - Main Span - Const.	05 (ADJACENT BOX BEAM)	45.	Number of Spans - Main:	1
107.	Deck Structure Type:	1 (CONCRETE CAST-IN-PLACE)	46.	Number of Spans - Approach:	0
108A.	Wearing Surface:	1 (MONOLITHIC CONCRETE)	108B.	Membrane:	8 (UNKNOWN)
108C.	Protection	1 (EPOXY COATED REINFORCING)			

AGE OF SERVICE

27.	Year Built:	1930	106.	Reconstructed:	2014
42A.	Type of Service Over:	1 (HIGHWAY)	42B.	Type of Service Under:	5 (WATERWAY)
28A.	Lanes on Structure:	2	28B.	Lanes Under Structure:	0
29.	ADT - Over:	140 VPD	30.	ADT Year Over:	2014
114.	Future ADT:	207 VPD	115.	Future ADT Year:	2034
109.	Average Truck Traffic:	3 %Trucks	19.	Bypass Detour Length:	6 mi.

GEOMETRIC DATA

48.	Maximum Span Length:	53.5 ft.	49.	Structure Length:	57.1 ft.
50A.	Sidewalk/Curb Left:	0.0 ft.	50B.	Sidewalk/Curb Right:	0.0 ft.
51.	Bridge Roadway Width:	19.9 ft.	52.	Deck Width (O-O)	20.2 ft.
32.	Approach Roadway Width:	17 ft.	33.	Bridge Median:	0 (NO MEDIAN)
34.	Skew:	0 Degree(s)	35.	Structure Flared:	0 (NO FLARE)
10.	Defense Vertical Clearance:	99.99	53.	Vertical Clearance/Deck:	99.99 ft.
47.	Total Horiz. Clearance:	19.9 ft.	54A.	Min Vert Clear Code:	N
55A.	Min Latr. Cl. Right - Code:	N	54B.	Underclearance:	0 ft.
55B.	Lateral Right:	0 ft.	56.	Lateral Left:	0 ft.

STRUCTURE INVENTORY AND APPRAISAL REPORT - 2

NBI Number: 2200057
 Facility Carried: FIVE MILE LN

Bridge Number: 22-00063
 Feature(s) Intersected: KNOB CREEK

NAVIGATION

38. Navigational Control: 0 39. Navigational Vertical Clearance: 0 ft. 111. Pier/Abutment Protection:		40. Navigational Horizontal Clearance: 0 ft. 116. Vertical Clearance - Lift Bridge: ft.
---	--	--

CLASSIFICATION

112. NBIS Bridge Length: Y 104. Highway System - Over: 0 (NOT ON NHS) 26. Func. Class - Over: 09 (RURAL - LOCAL) 100. Defense Highway Des: 0 102. Direction of Traffic: 2 (2-WAY TRAFFIC) 110. Des. Nat. Network: 0 21. Maint. Responsibility: 02 (COUNTY HIGHWAY AGENCY) 37. Historical Significance: 5 (NOT ELIGIBLE)		12. Base Highway Network: 0 13A. LRS Inventory Route: 13B. LRS Inventory Subroute: 101. Parallel Structure Des: N 103. Temporary Structure Des: 20. Toll: 3 (ON FREE ROAD-NO TOLL) 22. Owner: 02 (COUNTY HIGHWAY AGENCY)
---	--	--

CONDITION

58. Deck:	Material: CONCRETE	Rating:	7
GOOD - CRACK AT SOUTHEAST CORNER			
58.01. Wearing Surface:	Material: CONCRETE	Rating:	7
GOOD - SOME MINOR WEAR AND SHALLOW TINING, CRACK AT SOUTHEAST CORNER			
59. Superstructure:	Material: PRESTR. CONC. BOX BMS	Rating:	8
VERY GOOD - MINOR CONSTRUCTION SCRAPES IN CONCRETE			
60. Substructure:	Material: CONCRETE	Rating:	4
POOR - SCOUR AT EAST ABUTMENT WITH EAST FOOTING EXPOSED. SLIGHT VERTICAL MISALIGNMENT NOTED. CRACK IN SOUTHEAST ABUTMENT WALL, NORTH END OF EAST ABUTMENT APPEARS TO BE LOWER THAN SOUTH END			
61. Channel:	Material: NATURAL	Rating:	5
FAIR - HEAVY EROSION ON BANKS UP AND DOWNSTREAM, BEGINNING TO UNDERCUT.			
62. Culvert/Ret:	Material: N/A	Rating:	N
N/A			

LOAD RATING AND POSTING

31. Design Load: 9 (HS 25 OR GREATER) 64. Operating Rating: 90 66. Inventory Rating: 67 66B. Gross Tons or H Rating: 53 Tons 41. Open, Posted, or Closed: A (OPEN)		63. Oper Rating Method: 3 (LOAD RESISTANCE FACTOR (LRFR)) 65. Inv Rating Method: 3 (LOAD AND RESISTANCE FACTOR (LRFR)) 66C. Tons Posted: Tons 66D. Date Posted/Closed: 70. Bridge Posting: 5 (EQUAL TO OR ABOVE LEGAL LOADS)
--	--	--

STRUCTURE INVENTORY AND APPRAISAL REPORT - 3

NBI Number: 2200057
Facility Carried: FIVE MILE LN

Bridge Number: 22-00063
Feature(s) Intersected: KNOB CREEK

APPRAISAL

67.	Structural:	4
68.	Geometry:	4
69.	Underclearance:	N
71.	Waterway Adequacy:	4
36A.	Traffic Safety Features (Bridge Railings):	1 (MEETS ACCEPTABLE STANDARDS)
36B.	Traffic Safety Features (Transitions):	1 (MEETS ACCEPTABLE STANDARDS)
36C.	Traffic Safety Features (Approach Guardrail):	1 (MEETS ACCEPTABLE STANDARDS)
36D.	Traffic Safety Features (Approach Guardrail Ends):	1 (MEETS ACCEPTABLE STANDARDS)
72.	Roadway Alignment:	6 - IRREGULAR VERT. & HORIZ. ALIGN. BOTH WAYS, DIP AT E APPR.
	Material:	BITUMINOUS
	Comments:	NEW OVERLAY
113.	Scour Critical Bridges:	3 (SCOUR CRITICAL - UNSTABLE)
	Comments:	SCOUR ALONG E. ABUT., NEW RIPRAP PLACED IN 2019. SLIGHT VERTICAL MISALIGNMENT OF THE E ABUT.

PROPOSED IMPROVEMENTS

75A.	Type of Work:	35 (REHABILITATE EAST SUBSTRUCTURE DUE TO SETTLEMENT.)
75B.	Work Done By:	1 (CONTRACT)
76.	Improvement Length:	57 ft.
94.	Bridge Improvement Costs:	131 x 1000
95.	Roadway Improvement Costs:	184 x 1000
96.	Total Project Cost:	382 x 1000
97.	Year of Cost Estimate:	2020

RECOMMENDED MAINTENANCE

UNTIL REHABILITATION, MONITOR NEW RIPRAP THAT WAS PLACED ALONG EAST ABUTMENT IN 2019.

INSPECTION DATA

90.	Date:	3/3/2020	91.	Des. Inspection Frequency:	12 Months
92.	Critical Feature Inspection:	A: N	B: N	C: N	
93.	Date:	A: 5/1/2014	B: 9/21/2017	C:	

Unofficial Sufficiency Rating: 55.4
Unofficial Structural and Functional Classification: 1 (STRUCTURALLY DEFICIENT)



LOOKING EAST FROM ROAD



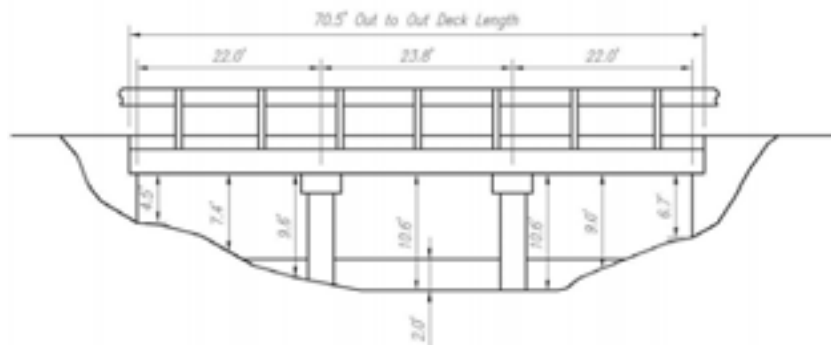
LOOKING WEST FROM ROAD



LOOKING SOUTH THROUGH CHANNEL



LOOKING WEST AT EAST PIER



See on
Township Map

FLOYD COUNTY - BRIDGE NO. 22-00064
SEVEN MILE LN over KNOB CREEK

STRUCTURE INVENTORY AND APPRAISAL REPORT - 1

NBI Number: 2200058
 Facility Carried: SEVEN MILE LN

Bridge Number: 22-00064
 Feature(s) Intersected: KNOB CREEK

IDENTIFICATION

<table border="0" style="width: 100%;"> <tr><td style="width: 10%;">1.</td><td style="width: 30%;">State:</td><td style="width: 30%;">185 (INDIANA)</td></tr> <tr><td>8.</td><td>NBI Number:</td><td>2200058</td></tr> <tr><td>5.</td><td>Inventory Route On:</td><td>1-4-2- 0-0</td></tr> <tr><td>2.</td><td>District:</td><td>05 (SEYMOUR)</td></tr> <tr><td>3.</td><td>County:</td><td>022 (FLOYD)</td></tr> <tr><td>6.</td><td>Feat Intersected:</td><td>KNOB CREEK</td></tr> <tr><td>7.</td><td>Facility Carried:</td><td>SEVEN MILE LN</td></tr> <tr><td>9.</td><td>Location:</td><td>00.10 W OF SR 111</td></tr> </table>	1.	State:	185 (INDIANA)	8.	NBI Number:	2200058	5.	Inventory Route On:	1-4-2- 0-0	2.	District:	05 (SEYMOUR)	3.	County:	022 (FLOYD)	6.	Feat Intersected:	KNOB CREEK	7.	Facility Carried:	SEVEN MILE LN	9.	Location:	00.10 W OF SR 111	<table border="0" style="width: 100%;"> <tr><td style="width: 10%;">4.</td><td style="width: 30%;">City/Town:</td><td style="width: 30%;">00000 ()</td></tr> <tr><td>98.</td><td>Border Bridge:</td><td></td></tr> <tr><td>99.</td><td>Border Bridge Number:</td><td></td></tr> <tr><td>11.</td><td>Mile Point (over):</td><td>0</td></tr> <tr><td>16.</td><td>Latitude:</td><td>38.19983</td></tr> <tr><td>17.</td><td>Longitude:</td><td>-85.887642</td></tr> </table>	4.	City/Town:	00000 ()	98.	Border Bridge:		99.	Border Bridge Number:		11.	Mile Point (over):	0	16.	Latitude:	38.19983	17.	Longitude:	-85.887642
1.	State:	185 (INDIANA)																																									
8.	NBI Number:	2200058																																									
5.	Inventory Route On:	1-4-2- 0-0																																									
2.	District:	05 (SEYMOUR)																																									
3.	County:	022 (FLOYD)																																									
6.	Feat Intersected:	KNOB CREEK																																									
7.	Facility Carried:	SEVEN MILE LN																																									
9.	Location:	00.10 W OF SR 111																																									
4.	City/Town:	00000 ()																																									
98.	Border Bridge:																																										
99.	Border Bridge Number:																																										
11.	Mile Point (over):	0																																									
16.	Latitude:	38.19983																																									
17.	Longitude:	-85.887642																																									

STRUCTURE DATA

<table border="0" style="width: 100%;"> <tr><td style="width: 10%;">43A.</td><td style="width: 30%;">Structure Type - Main Span:</td><td style="width: 30%;">2 (CONTINUOUS CONCRETE)</td></tr> <tr><td>43B.</td><td>Structure Type - Main Span - Const.</td><td>01 (SLAB)</td></tr> <tr><td>107.</td><td>Deck Structure Type:</td><td>1 (CONCRETE CAST-IN-PLACE)</td></tr> <tr><td>108A.</td><td>Wearing Surface:</td><td>1 (MONOLITHIC CONCRETE)</td></tr> <tr><td>108C.</td><td>Protection</td><td>0 (NONE)</td></tr> </table>	43A.	Structure Type - Main Span:	2 (CONTINUOUS CONCRETE)	43B.	Structure Type - Main Span - Const.	01 (SLAB)	107.	Deck Structure Type:	1 (CONCRETE CAST-IN-PLACE)	108A.	Wearing Surface:	1 (MONOLITHIC CONCRETE)	108C.	Protection	0 (NONE)	<table border="0" style="width: 100%;"> <tr><td style="width: 10%;">44.</td><td style="width: 30%;">Structure Type - Approach:</td><td style="width: 30%;">000</td></tr> <tr><td>45.</td><td>Number of Spans - Main:</td><td>3</td></tr> <tr><td>46.</td><td>Number of Spans - Approach:</td><td>0000</td></tr> <tr><td>108B.</td><td>Membrane:</td><td>0 (NONE)</td></tr> </table>	44.	Structure Type - Approach:	000	45.	Number of Spans - Main:	3	46.	Number of Spans - Approach:	0000	108B.	Membrane:	0 (NONE)
43A.	Structure Type - Main Span:	2 (CONTINUOUS CONCRETE)																										
43B.	Structure Type - Main Span - Const.	01 (SLAB)																										
107.	Deck Structure Type:	1 (CONCRETE CAST-IN-PLACE)																										
108A.	Wearing Surface:	1 (MONOLITHIC CONCRETE)																										
108C.	Protection	0 (NONE)																										
44.	Structure Type - Approach:	000																										
45.	Number of Spans - Main:	3																										
46.	Number of Spans - Approach:	0000																										
108B.	Membrane:	0 (NONE)																										

AGE OF SERVICE

<table border="0" style="width: 100%;"> <tr><td style="width: 10%;">27.</td><td style="width: 30%;">Year Built:</td><td style="width: 30%;">1938</td></tr> <tr><td>42A.</td><td>Type of Service Over:</td><td>1 (HIGHWAY)</td></tr> <tr><td>28A.</td><td>Lanes on Structure:</td><td>2</td></tr> <tr><td>29.</td><td>ADT - Over:</td><td>244 VPD</td></tr> <tr><td>114.</td><td>Future ADT:</td><td>359 VPD</td></tr> <tr><td>109.</td><td>Average Truck Traffic:</td><td>3 %Trucks</td></tr> </table>	27.	Year Built:	1938	42A.	Type of Service Over:	1 (HIGHWAY)	28A.	Lanes on Structure:	2	29.	ADT - Over:	244 VPD	114.	Future ADT:	359 VPD	109.	Average Truck Traffic:	3 %Trucks	<table border="0" style="width: 100%;"> <tr><td style="width: 10%;">106.</td><td style="width: 30%;">Reconstructed:</td><td style="width: 30%;">1993</td></tr> <tr><td>42B.</td><td>Type of Service Under:</td><td>5 (WATERWAY)</td></tr> <tr><td>28B.</td><td>Lanes Under Structure:</td><td>0</td></tr> <tr><td>30.</td><td>ADT Year Over:</td><td>2016</td></tr> <tr><td>115.</td><td>Future ADT Year:</td><td>2036</td></tr> <tr><td>19.</td><td>Bypass Detour Length:</td><td>4 mi.</td></tr> </table>	106.	Reconstructed:	1993	42B.	Type of Service Under:	5 (WATERWAY)	28B.	Lanes Under Structure:	0	30.	ADT Year Over:	2016	115.	Future ADT Year:	2036	19.	Bypass Detour Length:	4 mi.
27.	Year Built:	1938																																			
42A.	Type of Service Over:	1 (HIGHWAY)																																			
28A.	Lanes on Structure:	2																																			
29.	ADT - Over:	244 VPD																																			
114.	Future ADT:	359 VPD																																			
109.	Average Truck Traffic:	3 %Trucks																																			
106.	Reconstructed:	1993																																			
42B.	Type of Service Under:	5 (WATERWAY)																																			
28B.	Lanes Under Structure:	0																																			
30.	ADT Year Over:	2016																																			
115.	Future ADT Year:	2036																																			
19.	Bypass Detour Length:	4 mi.																																			

GEOMETRIC DATA

<table border="0" style="width: 100%;"> <tr><td style="width: 10%;">48.</td><td style="width: 30%;">Maximum Span Length:</td><td style="width: 30%;">23.8 ft.</td></tr> <tr><td>50A.</td><td>Sidewalk/Curb Left:</td><td>0.0 ft.</td></tr> <tr><td>51.</td><td>Bridge Roadway Width:</td><td>23.8 ft.</td></tr> <tr><td>32.</td><td>Approach Roadway Width:</td><td>23 ft.</td></tr> <tr><td>34.</td><td>Skew:</td><td>30 Degree(s)</td></tr> <tr><td>10.</td><td>Defense Vertical Clearance:</td><td>99.99</td></tr> <tr><td>47.</td><td>Total Horiz. Clearance:</td><td>23.8 ft.</td></tr> <tr><td>55A.</td><td>Min Latr. Cl. Right - Code:</td><td>N</td></tr> <tr><td>55B.</td><td>Lateral Right:</td><td>0 ft.</td></tr> </table>	48.	Maximum Span Length:	23.8 ft.	50A.	Sidewalk/Curb Left:	0.0 ft.	51.	Bridge Roadway Width:	23.8 ft.	32.	Approach Roadway Width:	23 ft.	34.	Skew:	30 Degree(s)	10.	Defense Vertical Clearance:	99.99	47.	Total Horiz. Clearance:	23.8 ft.	55A.	Min Latr. Cl. Right - Code:	N	55B.	Lateral Right:	0 ft.	<table border="0" style="width: 100%;"> <tr><td style="width: 10%;">49.</td><td style="width: 30%;">Structure Length:</td><td style="width: 30%;">70.5 ft.</td></tr> <tr><td>50B.</td><td>Sidewalk/Curb Right:</td><td>0.0 ft.</td></tr> <tr><td>52.</td><td>Deck Width (O-O)</td><td>24 ft.</td></tr> <tr><td>33.</td><td>Bridge Median:</td><td>0 (NO MEDIAN)</td></tr> <tr><td>35.</td><td>Structure Flared:</td><td>0 (NO FLARE)</td></tr> <tr><td>53.</td><td>Vertical Clearance/Deck:</td><td>99.99 ft.</td></tr> <tr><td>54A.</td><td>Min Vert Clear Code:</td><td>N</td></tr> <tr><td>54B.</td><td>Underclearance:</td><td>0 ft.</td></tr> <tr><td>56.</td><td>Lateral Left:</td><td>0 ft.</td></tr> </table>	49.	Structure Length:	70.5 ft.	50B.	Sidewalk/Curb Right:	0.0 ft.	52.	Deck Width (O-O)	24 ft.	33.	Bridge Median:	0 (NO MEDIAN)	35.	Structure Flared:	0 (NO FLARE)	53.	Vertical Clearance/Deck:	99.99 ft.	54A.	Min Vert Clear Code:	N	54B.	Underclearance:	0 ft.	56.	Lateral Left:	0 ft.
48.	Maximum Span Length:	23.8 ft.																																																					
50A.	Sidewalk/Curb Left:	0.0 ft.																																																					
51.	Bridge Roadway Width:	23.8 ft.																																																					
32.	Approach Roadway Width:	23 ft.																																																					
34.	Skew:	30 Degree(s)																																																					
10.	Defense Vertical Clearance:	99.99																																																					
47.	Total Horiz. Clearance:	23.8 ft.																																																					
55A.	Min Latr. Cl. Right - Code:	N																																																					
55B.	Lateral Right:	0 ft.																																																					
49.	Structure Length:	70.5 ft.																																																					
50B.	Sidewalk/Curb Right:	0.0 ft.																																																					
52.	Deck Width (O-O)	24 ft.																																																					
33.	Bridge Median:	0 (NO MEDIAN)																																																					
35.	Structure Flared:	0 (NO FLARE)																																																					
53.	Vertical Clearance/Deck:	99.99 ft.																																																					
54A.	Min Vert Clear Code:	N																																																					
54B.	Underclearance:	0 ft.																																																					
56.	Lateral Left:	0 ft.																																																					

STRUCTURE INVENTORY AND APPRAISAL REPORT - 2

NBI Number: 2200058
 Facility Carried: SEVEN MILE LN

Bridge Number: 22-00064
 Feature(s) Intersected: KNOB CREEK

NAVIGATION

38. Navigational Control:	0	40. Navigational Horizontal Clearance:	0 ft.
39. Navigational Vertical Clearance:	0 ft.	116. Vertical Clearance - Lift Bridge:	ft.
111. Pier/Abutment Protection:			

CLASSIFICATION

112. NBIS Bridge Length:	Y	12. Base Highway Network:	0
104. Highway System - Over:	0 (NOT ON NHS)	13A. LRS Inventory Route:	
26. Func. Class - Over:	09 (RURAL - LOCAL)	13B. LRS Inventory Subroute:	
100. Defense Highway Des:	0	101. Parallel Structure Des:	N
102. Direction of Traffic:	2 (2-WAY TRAFFIC)	103. Temporary Structure Des:	
110. Des. Nat. Network:	0	20. Toll:	3 (ON FREE ROAD-NO TOLL)
21. Maint. Responsibility:	02 (COUNTY HIGHWAY AGENCY)	22. Owner:	02 (COUNTY HIGHWAY AGENCY)
37. Historical Significance:	5 (NOT ELIGIBLE)		

CONDITION

58. Deck:	Material: CONCRETE SLAB	Rating:	7
GOOD - LIGHT SCALING, POPOUTS, SPALLING AT EDGES			
58.01. Wearing Surface:	Material: MONOLITHIC CONCRETE	Rating:	7
GOOD - LIGHT SURFACE WEAR, LIGHT SCALING, POPOUTS, CRACKS 17"			
59. Superstructure:	Material: CONCRETE SLAB	Rating:	7
GOOD - HONEYCOMB ON BOTTOM, 2' HONEYCOMB AREA ON N SIDE OF UNDERSIDE OF SUPERSTRUCTURE, CRACKS 17"			
60. Substructure:	Material: CONC ABUTS, TIMBER PILE PIERS	Rating:	6
SATIS - SOME SPLINTERING IN PILES, SOME MINOR ROT THROUGHOUT, NO MAJOR DETERIORATION, OLD ABUTMENTS WITH NEWER WIDENED CAP			
61. Channel:	Material: NATURAL	Rating:	6
SATIS - DRIFT, NO PROTECTION, MINOR SCOUR AT WEST PIER			
62. Culvert/Ret:	Material: N/A	Rating:	N
N/A			

LOAD RATING AND POSTING

31. Design Load:	5 (HS 20)	63. Oper Rating Method:	1 (LOAD FACTOR (LF))
64. Operating Rating:	65	65. Inv Rating Method:	1 (LOAD FACTOR (LF))
66. Inventory Rating:	39	66C. Tons Posted:	Tons
66B. Gross Tons or H Rating:	19 Tons	66D. Date Posted/Closed:	
41. Open, Posted, or Closed:	A (OPEN)	70. Bridge Posting:	5 (EQUAL TO OR ABOVE LEGAL LOADS)

STRUCTURE INVENTORY AND APPRAISAL REPORT - 3

NBI Number: 2200058
 Facility Carried: SEVEN MILE LN

Bridge Number: 22-00064
 Feature(s) Intersected: KNOB CREEK

APPRAISAL

67.	Structural:	6
68.	Geometry:	5
69.	Underclearance:	N
71.	Waterway Adequacy:	3
36A.	Traffic Safety Features (Bridge Railings):	0 (DOES NOT MEET ACCEPTABLE STANDARDS/SAFETY FEATURE IS REQUIRED)
36B.	Traffic Safety Features (Transitions):	0 (DOES NOT MEET ACCEPTABLE STANDARDS/SAFETY FEATURE IS REQUIRED)
36C.	Traffic Safety Features (Approach Guardrail):	0 (DOES NOT MEET ACCEPTABLE STANDARDS/SAFETY FEATURE IS REQUIRED)
36D.	Traffic Safety Features (Approach Guardrail Ends):	0 (DOES NOT MEET ACCEPTABLE STANDARDS/SAFETY FEATURE IS REQUIRED)
72.	Roadway Alignment:	8 - TANGENT, ON GRADE
	Material:	BITUMINOUS
	Comments:	BIT WEDGE NOW AT WEST END; CRACKING IN APPROACHES
113.	Scour Critical Bridges:	5 (STABLE - WITHIN LIMITS)
	Comments:	

PROPOSED IMPROVEMENTS

75A.	Type of Work:	(NO WORK NEEDED.)
75B.	Work Done By:	0
76.	Improvement Length:	0 ft.
94.	Bridge Improvement Costs:	0 x 1000
95.	Roadway Improvement Costs:	0 x 1000
96.	Total Project Cost:	0 x 1000
97.	Year of Cost Estimate:	

RECOMMENDED MAINTENANCE

RECOMMEND INSTALLING CURRENT STD. BRIDGE & APPR. RAIL W/END TREATMENT AND NE & NW B.E.M.'S

INSPECTION DATA

90.	Date:	3/3/2020	91.	Des. Inspection Frequency:	24 Months
92.	Critical Feature Inspection:	A: N	B: N	C: N	
93.	Date:	A:	B:	C:	

Unofficial Sufficiency Rating: 87.4
 Unofficial Structural and Functional Classification: 2 (FUNCTIONALLY OBSOLETE)



LOOKING NORTH FROM ROAD



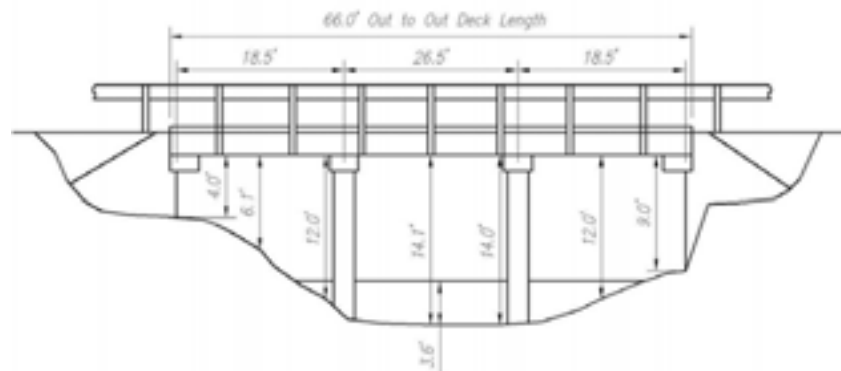
LOOKING SOUTH FROM ROAD



LOOKING WEST FROM CHANNEL



LOOKING SOUTH AT SOUTH PIER



See Additional Photographs

See on Township Map

FLOYD COUNTY - BRIDGE NO. 22-00065
DAILY RD over KNOB CREEK

STRUCTURE INVENTORY AND APPRAISAL REPORT - 1

NBI Number: 2200059
 Facility Carried: DAILY RD

Bridge Number: 22-00065
 Feature(s) Intersected: KNOB CREEK

IDENTIFICATION

<p>1. State: 185 (INDIANA)</p> <p>8. NBI Number: 2200059</p> <p>5. Inventory Route On: 1-4-2- 0-0</p> <p>2. District: 05 (SEYMOUR)</p> <p>3. County: 022 (FLOYD)</p> <p>6. Feat Intersected: KNOB CREEK</p> <p>7. Facility Carried: DAILY RD</p> <p>9. Location: 00.10 S FIVE MILE LANE</p>	<p>4. City/Town: 00000 ()</p> <p>98. Border Bridge:</p> <p>99. Border Bridge Number:</p> <p>11. Mile Point (over): 0</p> <p>16. Latitude: 38.21349</p> <p>17. Longitude: -85.891663</p>
---	---

STRUCTURE DATA

<p>43A. Structure Type - Main Span: 7 (TIMBER)</p> <p>43B. Structure Type - Main Span - Const. 01 (SLAB)</p> <p>107. Deck Structure Type: 8 (WOOD OR TIMBER)</p> <p>108A. Wearing Surface: 6 (BITUMINOUS)</p> <p>108C. Protection 0 (NONE)</p>	<p>44. Structure Type - Approach: 000</p> <p>45. Number of Spans - Main: 3</p> <p>46. Number of Spans - Approach: 0000</p> <p>108B. Membrane: 0 (NONE)</p>
--	--

AGE OF SERVICE

<p>27. Year Built: 1981</p> <p>42A. Type of Service Over: 1 (HIGHWAY)</p> <p>28A. Lanes on Structure: 2</p> <p>29. ADT - Over: 186 VPD</p> <p>114. Future ADT: 274 VPD</p> <p>109. Average Truck Traffic: 3 %Trucks</p>	<p>106. Reconstructed: 0</p> <p>42B. Type of Service Under: 5 (WATERWAY)</p> <p>28B. Lanes Under Structure: 0</p> <p>30. ADT Year Over: 2014</p> <p>115. Future ADT Year: 2034</p> <p>19. Bypass Detour Length: 4 mi.</p>
---	---

GEOMETRIC DATA

<p>48. Maximum Span Length: 23.3 ft.</p> <p>50A. Sidewalk/Curb Left: 0.3 ft.</p> <p>51. Bridge Roadway Width: 24.3 ft.</p> <p>32. Approach Roadway Width: 18 ft.</p> <p>34. Skew: 20 Degree(s)</p> <p>10. Defense Vertical Clearance: 99.99</p> <p>47. Total Horiz. Clearance: 25 ft.</p> <p>55A. Min Latr. Cl. Right - Code: N</p> <p>55B. Lateral Right: 0 ft.</p>	<p>49. Structure Length: 66 ft.</p> <p>50B. Sidewalk/Curb Right: 0.3 ft.</p> <p>52. Deck Width (O-O) 25.7 ft.</p> <p>33. Bridge Median: 0 (NO MEDIAN)</p> <p>35. Structure Flared: 0 (NO FLARE)</p> <p>53. Vertical Clearance/Deck: 99.99 ft.</p> <p>54A. Min Vert Clear Code: N</p> <p>54B. Underclearance: 0 ft.</p> <p>56. Lateral Left: 0 ft.</p>
--	---

STRUCTURE INVENTORY AND APPRAISAL REPORT - 2

NBI Number: 2200059
 Facility Carried: DAILY RD

Bridge Number: 22-00065
 Feature(s) Intersected: KNOB CREEK

NAVIGATION

38. Navigational Control: 0 39. Navigational Vertical Clearance: 0 ft. 111. Pier/Abutment Protection:		40. Navigational Horizontal Clearance: 0 ft. 116. Vertical Clearance - Lift Bridge: ft.
---	--	--

CLASSIFICATION

112. NBIS Bridge Length: Y 104. Highway System - Over: 0 (NOT ON NHS) 26. Func. Class - Over: 09 (RURAL - LOCAL) 100. Defense Highway Des: 0 102. Direction of Traffic: 2 (2-WAY TRAFFIC) 110. Des. Nat. Network: 0 21. Maint. Responsibility: 02 (COUNTY HIGHWAY AGENCY) 37. Historical Significance: 5 (NOT ELIGIBLE)		12. Base Highway Network: 0 13A. LRS Inventory Route: 13B. LRS Inventory Subroute: 101. Parallel Structure Des: N 103. Temporary Structure Des: 20. Toll: 3 (ON FREE ROAD-NO TOLL) 22. Owner: 02 (COUNTY HIGHWAY AGENCY)
---	--	--

CONDITION

58. Deck:	Material: TIMBER	Rating:	6
SATIS - MINOR SPLITTING AND DECAY			
58.01. Wearing Surface:	Material: BITUMINOUS (1")	Rating:	5
FAIR - TRANSVERSE AND LONGITUDINAL CRACKS			
59. Superstructure:	Material: TIMBER	Rating:	6
SATIS - MINOR SPLITTING OF SLAB ON UNDERSIDE, METAL STRAPS HANGING DOWN			
60. Substructure:	Material: TIMBER	Rating:	6
SATIS - EROSION AT BANK OF ABUTMENT, UNDERMINING AT SW WINGWALL, MINOR SPLITTING AT SE WINGWALL PILE AND NORTH ABUTMENT END PILES, MINOR ROT AT THE SOUTH ABUTMENT MUDWALL, SOME MINOR DECAY AT WATERLINE OF PILES			
61. Channel:	Material: RIPRAP & NATURAL	Rating:	5
FAIR - MODERATE EROSION ON BANKS UPSTREAM AND DOWNSTREAM, THE DOWNSTREAM BANKS ARE BEGINNING TO UNDERCUT.			
62. Culvert/Ret:	Material: N/A	Rating:	N
N/A			

LOAD RATING AND POSTING

31. Design Load: 5 (HS 20) 64. Operating Rating: 80 66. Inventory Rating: 59 66B. Gross Tons or H Rating: 35 Tons 41. Open, Posted, or Closed: A (OPEN)		63. Oper Rating Method: 3 (LOAD RESISTANCE FACTOR (LRFR)) 65. Inv Rating Method: 3 (LOAD AND RESISTANCE FACTOR (LRFR)) 66C. Tons Posted: Tons 66D. Date Posted/Closed: 70. Bridge Posting: 5 (EQUAL TO OR ABOVE LEGAL LOADS)
---	--	--

STRUCTURE INVENTORY AND APPRAISAL REPORT - 3

NBI Number: 2200059
 Facility Carried: DAILY RD

Bridge Number: 22-00065
 Feature(s) Intersected: KNOB CREEK

APPRAISAL

67.	Structural:	6
68.	Geometry:	5
69.	Underclearance:	N
71.	Waterway Adequacy:	7
36A.	Traffic Safety Features (Bridge Railings):	0 (DOES NOT MEET ACCEPTABLE STANDARDS/SAFETY FEATURE IS REQUIRED)
36B.	Traffic Safety Features (Transitions):	0 (DOES NOT MEET ACCEPTABLE STANDARDS/SAFETY FEATURE IS REQUIRED)
36C.	Traffic Safety Features (Approach Guardrail):	0 (DOES NOT MEET ACCEPTABLE STANDARDS/SAFETY FEATURE IS REQUIRED)
36D.	Traffic Safety Features (Approach Guardrail Ends):	0 (DOES NOT MEET ACCEPTABLE STANDARDS/SAFETY FEATURE IS REQUIRED)
72.	Roadway Alignment:	6 - BR. ON HUMP, DIPS & CURVES BOTH WAYS
	Material:	BITUMINOUS
	Comments:	SETTLED AT BRIDGE ENDS, CRACKS, POT HOLES
113.	Scour Critical Bridges:	5 (STABLE - WITHIN LIMITS)
	Comments:	

PROPOSED IMPROVEMENTS

75A.	Type of Work:	(NO WORK NEEDED.)
75B.	Work Done By:	0
76.	Improvement Length:	0 ft.
94.	Bridge Improvement Costs:	0 x 1000
95.	Roadway Improvement Costs:	0 x 1000
96.	Total Project Cost:	0 x 1000
97.	Year of Cost Estimate:	

RECOMMENDED MAINTENANCE

RECOMMEND INSTALLING CURRENT STD. BRIDGE & APPR. RAIL W/END TREATMENT AND NE NW & SW B.E.M.'S, REPLACE FILL BEHIND S ABUTMENT, AND PLACING RIPRAP ON SOUTH ABUTMENT.

INSPECTION DATA

90.	Date:	3/3/2020	91.	Des. Inspection Frequency:	24 Months
92.	Critical Feature Inspection:	A: N	B: N	C: N	
93.	Date:	A:	B:	C:	

Unofficial Sufficiency Rating: 91.4
 Unofficial Structural and Functional Classification: 0 (OK)



LOOKING EAST FROM ROAD



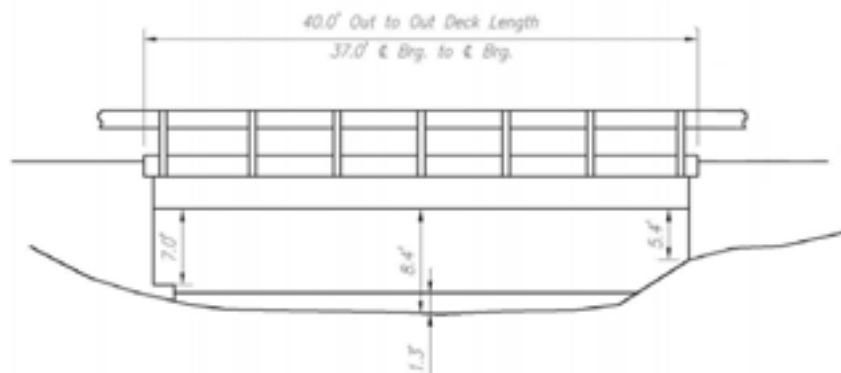
LOOKING WEST FROM ROAD



LOOKING SOUTH FROM CHANNEL



LOOKING EAST AT SUPERSTRUCTURE AND EAST



See on
Township Map

FLOYD COUNTY - BRIDGE NO. 22-00066
RIDGEVIEW DR over LITTLE INDIAN CREEK

STRUCTURE INVENTORY AND APPRAISAL REPORT - 1

NBI Number: 2200087 Facility Carried: RIDGEVIEW DR	Bridge Number: 22-00066 Feature(s) Intersected: LITTLE INDIAN CREEK
---	--

IDENTIFICATION

1. State: 185 (INDIANA) 8. NBI Number: 2200087 5. Inventory Route On: 1-4-2- 0-0 2. District: 05 (SEYMOUR) 3. County: 022 (FLOYD) 6. Feat Intersected: LITTLE INDIAN CREEK 7. Facility Carried: RIDGEVIEW DR 9. Location: 00.00 INT OF CHAMPION RD	4. City/Town: 00000 () 98. Border Bridge: 99. Border Bridge Number: 11. Mile Point (over): 0 16. Latitude: 38.36349 17. Longitude: -85.853989
---	--

STRUCTURE DATA

43A. Structure Type - Main Span: 5 (PRESTRESSED CONCRETE) 43B. Structure Type - Main Span - Const. 05 (ADJACENT BOX BEAM) 107. Deck Structure Type: 1 (CONCRETE CAST-IN-PLACE) 108A. Wearing Surface: 1 (MONOLITHIC CONCRETE) 108C. Protection 1 (EPOXY COATED REINFORCING)	44. Structure Type - Approach: 000 45. Number of Spans - Main: 1 46. Number of Spans - Approach: 0000 108B. Membrane: 0 (NONE)
---	---

AGE OF SERVICE

27. Year Built: 1976 42A. Type of Service Over: 1 (HIGHWAY) 28A. Lanes on Structure: 2 29. ADT - Over: 317 VPD 114. Future ADT: 467 VPD 109. Average Truck Traffic: 3 %Trucks	106. Reconstructed: 2014 42B. Type of Service Under: 5 (WATERWAY) 28B. Lanes Under Structure: 0 30. ADT Year Over: 2016 115. Future ADT Year: 2036 19. Bypass Detour Length: 199 mi.
--	---

GEOMETRIC DATA

48. Maximum Span Length: 37 ft. 50A. Sidewalk/Curb Left: 0.0 ft. 51. Bridge Roadway Width: 27.2 ft. 32. Approach Roadway Width: 23 ft. 34. Skew: 0 Degree(s) 10. Defense Vertical Clearance: 99.99 47. Total Horiz. Clearance: 27.9 ft. 55A. Min Latr. Cl. Right - Code: N 55B. Lateral Right: 0 ft.	49. Structure Length: 40 ft. 50B. Sidewalk/Curb Right: 0.0 ft. 52. Deck Width (O-O) 28 ft. 33. Bridge Median: 0 (NO MEDIAN) 35. Structure Flared: 0 (NO FLARE) 53. Vertical Clearance/Deck: 99.99 ft. 54A. Min Vert Clear Code: N 54B. Underclearance: 0 ft. 56. Lateral Left: 0 ft.
--	--

STRUCTURE INVENTORY AND APPRAISAL REPORT - 2

NBI Number: 2200087
 Facility Carried: RIDGEVIEW DR

Bridge Number: 22-00066
 Feature(s) Intersected: LITTLE INDIAN CREEK

NAVIGATION

38. Navigational Control:	0	40. Navigational Horizontal Clearance:	0 ft.
39. Navigational Vertical Clearance:	0 ft.	116. Vertical Clearance - Lift Bridge:	ft.
111. Pier/Abutment Protection:			

CLASSIFICATION

112. NBIS Bridge Length:	Y	12. Base Highway Network:	0
104. Highway System - Over:	0 (NOT ON NHS)	13A. LRS Inventory Route:	
26. Func. Class - Over:	09 (RURAL - LOCAL)	13B. LRS Inventory Subroute:	
100. Defense Highway Des:	0	101. Parallel Structure Des:	N
102. Direction of Traffic:	2 (2-WAY TRAFFIC)	103. Temporary Structure Des:	
110. Des. Nat. Network:	0	20. Toll:	3 (ON FREE ROAD-NO TOLL)
21. Maint. Responsibility:	02 (COUNTY HIGHWAY AGENCY)	22. Owner:	02 (COUNTY HIGHWAY AGENCY)
37. Historical Significance:	5 (NOT ELIGIBLE)		

CONDITION

58. Deck:	Material: 4" CONC. DECK	Rating:	7
GOOD - LONGITUDINAL HAIRLINE CRACKS IN SURFACE			
58.01. Wearing Surface:	Material: CONCRETE	Rating:	7
GOOD - HAIRLINE CRACKS			
59. Superstructure:	Material: 21" PRESTRESSED CONCRETE BOX BEAMS	Rating:	8
VERY GOOD - NO MAJOR DEFECTS, 1 TIE ROD BOLT VISIBLE AT N COPING AND 2 TIE ROD BOLTS VISIBLE AT S COPING			
60. Substructure:	Material: CONCRETE	Rating:	7
GOOD - SOUTH FOOTING EXPOSED, KEYED INTO SOLID ROCK, N ABUTMENT 3 VERT. HL CRACKS, S ABUTMENT 2 VERT. HL CRACKS			
61. Channel:	Material: NATURAL ROCK BOTTOM & RIPRAP	Rating:	6
SATIS - MINOR BANK EROSION			
62. Culvert/Ret:	Material: N/A	Rating:	N
N/A			

LOAD RATING AND POSTING

31. Design Load:	0 (UNKNOWN)	63. Oper Rating Method:	3 (LOAD RESISTANCE FACTOR (LRFR))
64. Operating Rating:	63	65. Inv Rating Method:	3 (LOAD AND RESISTANCE FACTOR (LRFR))
66. Inventory Rating:	46	66C. Tons Posted:	Tons
66B. Gross Tons or H Rating:	35 Tons	66D. Date Posted/Closed:	
41. Open, Posted, or Closed:	A (OPEN)	70. Bridge Posting:	5 (EQUAL TO OR ABOVE LEGAL LOADS)

STRUCTURE INVENTORY AND APPRAISAL REPORT - 3

NBI Number: 2200087
Facility Carried: RIDGEVIEW DR

Bridge Number: 22-00066
Feature(s) Intersected: LITTLE INDIAN CREEK

APPRAISAL

67.	Structural:	7
68.	Geometry:	5
69.	Underclearance:	N
71.	Waterway Adequacy:	7
36A.	Traffic Safety Features (Bridge Railings):	1 (MEETS ACCEPTABLE STANDARDS)
36B.	Traffic Safety Features (Transitions):	1 (MEETS ACCEPTABLE STANDARDS)
36C.	Traffic Safety Features (Approach Guardrail):	1 (MEETS ACCEPTABLE STANDARDS)
36D.	Traffic Safety Features (Approach Guardrail Ends):	1 (MEETS ACCEPTABLE STANDARDS)
72.	Roadway Alignment:	6 - CURVE AND UPGRADE TO EAST, "T" INTERSECTION TO WEST
	Material:	BITUMINOUS
	Comments:	LONG. CRACKS, SETTLING AT EAST END
113.	Scour Critical Bridges:	5 (STABLE - WITHIN LIMITS)
	Comments:	FOOTINGS EXPOSED BUT FOUNDED ON ROCK

PROPOSED IMPROVEMENTS

75A.	Type of Work:	(NO WORK NEEDED.)
75B.	Work Done By:	0
76.	Improvement Length:	0 ft.
94.	Bridge Improvement Costs:	0 x 1000
95.	Roadway Improvement Costs:	0 x 1000
96.	Total Project Cost:	0 x 1000
97.	Year of Cost Estimate:	

RECOMMENDED MAINTENANCE

RECOMMEND INSTALLING CURRENT STD. NE NW & SW B.E.M.'S.

INSPECTION DATA

90.	Date:	3/2/2020	91.	Des. Inspection Frequency:	24 Months
92.	Critical Feature Inspection:	A: N	B: N	C: N	
93.	Date:	A:	B:	C:	
	Unofficial Sufficiency Rating:	89.5			
	Unofficial Structural and Functional Classification:	0 (OK)			



LOOKING WEST FROM ROAD



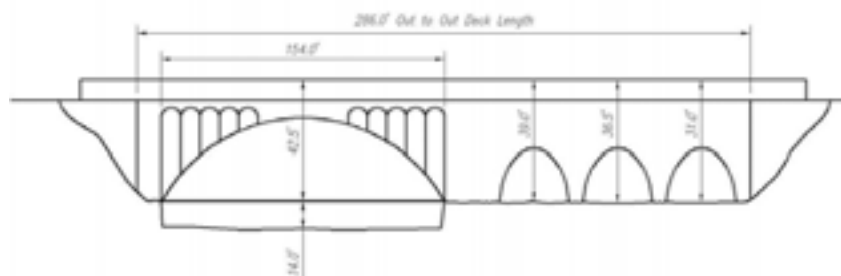
LOOKING EAST FROM ROAD



LOOKING SOUTH DOWNSTREAM



LOOKING SOUTH DOWNSTREAM



See Additional
Photographs

See on
Township Map

FLOYD COUNTY - BRIDGE NO. 22-00070
SPRING ST over SILVER CREEK

STRUCTURE INVENTORY AND APPRAISAL REPORT - 1

NBI Number: 2200086
 Facility Carried: SPRING ST

Bridge Number: 22-00070
 Feature(s) Intersected: SILVER CREEK

IDENTIFICATION

<table border="0" style="width: 100%;"> <tr><td style="width: 10%;">1.</td><td style="width: 30%;">State:</td><td style="width: 30%;">185 (INDIANA)</td></tr> <tr><td>8.</td><td>NBI Number:</td><td>2200086</td></tr> <tr><td>5.</td><td>Inventory Route On:</td><td>1-5-1- 0-0</td></tr> <tr><td>2.</td><td>District:</td><td>05 (SEYMOUR)</td></tr> <tr><td>3.</td><td>County:</td><td>022 (FLOYD)</td></tr> <tr><td>6.</td><td>Feat Intersected:</td><td>SILVER CREEK</td></tr> <tr><td>7.</td><td>Facility Carried:</td><td>SPRING ST</td></tr> <tr><td>9.</td><td>Location:</td><td>00.02 N OF HWY 62</td></tr> </table>	1.	State:	185 (INDIANA)	8.	NBI Number:	2200086	5.	Inventory Route On:	1-5-1- 0-0	2.	District:	05 (SEYMOUR)	3.	County:	022 (FLOYD)	6.	Feat Intersected:	SILVER CREEK	7.	Facility Carried:	SPRING ST	9.	Location:	00.02 N OF HWY 62	<table border="0" style="width: 100%;"> <tr><td style="width: 10%;">4.</td><td style="width: 30%;">City/Town:</td><td style="width: 30%;">52326 (NEW ALBANY)</td></tr> <tr><td>98.</td><td>Border Bridge:</td><td></td></tr> <tr><td>99.</td><td>Border Bridge Number:</td><td></td></tr> <tr><td>11.</td><td>Mile Point (over):</td><td>0</td></tr> <tr><td>16.</td><td>Latitude:</td><td>38.30083</td></tr> <tr><td>17.</td><td>Longitude:</td><td>-85.79162</td></tr> </table>	4.	City/Town:	52326 (NEW ALBANY)	98.	Border Bridge:		99.	Border Bridge Number:		11.	Mile Point (over):	0	16.	Latitude:	38.30083	17.	Longitude:	-85.79162
1.	State:	185 (INDIANA)																																									
8.	NBI Number:	2200086																																									
5.	Inventory Route On:	1-5-1- 0-0																																									
2.	District:	05 (SEYMOUR)																																									
3.	County:	022 (FLOYD)																																									
6.	Feat Intersected:	SILVER CREEK																																									
7.	Facility Carried:	SPRING ST																																									
9.	Location:	00.02 N OF HWY 62																																									
4.	City/Town:	52326 (NEW ALBANY)																																									
98.	Border Bridge:																																										
99.	Border Bridge Number:																																										
11.	Mile Point (over):	0																																									
16.	Latitude:	38.30083																																									
17.	Longitude:	-85.79162																																									

STRUCTURE DATA

<table border="0" style="width: 100%;"> <tr><td style="width: 10%;">43A.</td><td style="width: 30%;">Structure Type - Main Span:</td><td style="width: 30%;">1 (CONCRETE)</td></tr> <tr><td>43B.</td><td>Structure Type - Main Span - Const.</td><td>11 (DECK ARCH)</td></tr> <tr><td>107.</td><td>Deck Structure Type:</td><td>1 (CONCRETE CAST-IN-PLACE)</td></tr> <tr><td>108A.</td><td>Wearing Surface:</td><td>1 (MONOLITHIC CONCRETE)</td></tr> <tr><td>108C.</td><td>Protection</td><td>1 (EPOXY COATED REINFORCING)</td></tr> </table>	43A.	Structure Type - Main Span:	1 (CONCRETE)	43B.	Structure Type - Main Span - Const.	11 (DECK ARCH)	107.	Deck Structure Type:	1 (CONCRETE CAST-IN-PLACE)	108A.	Wearing Surface:	1 (MONOLITHIC CONCRETE)	108C.	Protection	1 (EPOXY COATED REINFORCING)	<table border="0" style="width: 100%;"> <tr><td style="width: 10%;">44.</td><td style="width: 30%;">Structure Type - Approach:</td><td style="width: 30%;">000</td></tr> <tr><td>45.</td><td>Number of Spans - Main:</td><td>4</td></tr> <tr><td>46.</td><td>Number of Spans - Approach:</td><td>0000</td></tr> <tr><td>108B.</td><td>Membrane:</td><td>0 (NONE)</td></tr> </table>	44.	Structure Type - Approach:	000	45.	Number of Spans - Main:	4	46.	Number of Spans - Approach:	0000	108B.	Membrane:	0 (NONE)
43A.	Structure Type - Main Span:	1 (CONCRETE)																										
43B.	Structure Type - Main Span - Const.	11 (DECK ARCH)																										
107.	Deck Structure Type:	1 (CONCRETE CAST-IN-PLACE)																										
108A.	Wearing Surface:	1 (MONOLITHIC CONCRETE)																										
108C.	Protection	1 (EPOXY COATED REINFORCING)																										
44.	Structure Type - Approach:	000																										
45.	Number of Spans - Main:	4																										
46.	Number of Spans - Approach:	0000																										
108B.	Membrane:	0 (NONE)																										

AGE OF SERVICE

<table border="0" style="width: 100%;"> <tr><td style="width: 10%;">27.</td><td style="width: 30%;">Year Built:</td><td style="width: 30%;">1920</td></tr> <tr><td>42A.</td><td>Type of Service Over:</td><td>1 (HIGHWAY)</td></tr> <tr><td>28A.</td><td>Lanes on Structure:</td><td>2</td></tr> <tr><td>29.</td><td>ADT - Over:</td><td>5445 VPD</td></tr> <tr><td>114.</td><td>Future ADT:</td><td>8026 VPD</td></tr> <tr><td>109.</td><td>Average Truck Traffic:</td><td>6 %Trucks</td></tr> </table>	27.	Year Built:	1920	42A.	Type of Service Over:	1 (HIGHWAY)	28A.	Lanes on Structure:	2	29.	ADT - Over:	5445 VPD	114.	Future ADT:	8026 VPD	109.	Average Truck Traffic:	6 %Trucks	<table border="0" style="width: 100%;"> <tr><td style="width: 10%;">106.</td><td style="width: 30%;">Reconstructed:</td><td style="width: 30%;">2006</td></tr> <tr><td>42B.</td><td>Type of Service Under:</td><td>5 (WATERWAY)</td></tr> <tr><td>28B.</td><td>Lanes Under Structure:</td><td>0</td></tr> <tr><td>30.</td><td>ADT Year Over:</td><td>2016</td></tr> <tr><td>115.</td><td>Future ADT Year:</td><td>2036</td></tr> <tr><td>19.</td><td>Bypass Detour Length:</td><td>1 mi.</td></tr> </table>	106.	Reconstructed:	2006	42B.	Type of Service Under:	5 (WATERWAY)	28B.	Lanes Under Structure:	0	30.	ADT Year Over:	2016	115.	Future ADT Year:	2036	19.	Bypass Detour Length:	1 mi.
27.	Year Built:	1920																																			
42A.	Type of Service Over:	1 (HIGHWAY)																																			
28A.	Lanes on Structure:	2																																			
29.	ADT - Over:	5445 VPD																																			
114.	Future ADT:	8026 VPD																																			
109.	Average Truck Traffic:	6 %Trucks																																			
106.	Reconstructed:	2006																																			
42B.	Type of Service Under:	5 (WATERWAY)																																			
28B.	Lanes Under Structure:	0																																			
30.	ADT Year Over:	2016																																			
115.	Future ADT Year:	2036																																			
19.	Bypass Detour Length:	1 mi.																																			

GEOMETRIC DATA

<table border="0" style="width: 100%;"> <tr><td style="width: 10%;">48.</td><td style="width: 30%;">Maximum Span Length:</td><td style="width: 30%;">154 ft.</td></tr> <tr><td>50A.</td><td>Sidewalk/Curb Left:</td><td>0.0 ft.</td></tr> <tr><td>51.</td><td>Bridge Roadway Width:</td><td>24 ft.</td></tr> <tr><td>32.</td><td>Approach Roadway Width:</td><td>24 ft.</td></tr> <tr><td>34.</td><td>Skew:</td><td>0 Degree(s)</td></tr> <tr><td>10.</td><td>Defense Vertical Clearance:</td><td>99.99</td></tr> <tr><td>47.</td><td>Total Horiz. Clearance:</td><td>24 ft.</td></tr> <tr><td>55A.</td><td>Min Latr. Cl. Right - Code:</td><td>N</td></tr> <tr><td>55B.</td><td>Lateral Right:</td><td>0 ft.</td></tr> </table>	48.	Maximum Span Length:	154 ft.	50A.	Sidewalk/Curb Left:	0.0 ft.	51.	Bridge Roadway Width:	24 ft.	32.	Approach Roadway Width:	24 ft.	34.	Skew:	0 Degree(s)	10.	Defense Vertical Clearance:	99.99	47.	Total Horiz. Clearance:	24 ft.	55A.	Min Latr. Cl. Right - Code:	N	55B.	Lateral Right:	0 ft.	<table border="0" style="width: 100%;"> <tr><td style="width: 10%;">49.</td><td style="width: 30%;">Structure Length:</td><td style="width: 30%;">286 ft.</td></tr> <tr><td>50B.</td><td>Sidewalk/Curb Right:</td><td>0.0 ft.</td></tr> <tr><td>52.</td><td>Deck Width (O-O)</td><td>27.3 ft.</td></tr> <tr><td>33.</td><td>Bridge Median:</td><td>0 (NO MEDIAN)</td></tr> <tr><td>35.</td><td>Structure Flared:</td><td>0 (NO FLARE)</td></tr> <tr><td>53.</td><td>Vertical Clearance/Deck:</td><td>99.99 ft.</td></tr> <tr><td>54A.</td><td>Min Vert Clear Code:</td><td>N</td></tr> <tr><td>54B.</td><td>Underclearance:</td><td>0 ft.</td></tr> <tr><td>56.</td><td>Lateral Left:</td><td>0 ft.</td></tr> </table>	49.	Structure Length:	286 ft.	50B.	Sidewalk/Curb Right:	0.0 ft.	52.	Deck Width (O-O)	27.3 ft.	33.	Bridge Median:	0 (NO MEDIAN)	35.	Structure Flared:	0 (NO FLARE)	53.	Vertical Clearance/Deck:	99.99 ft.	54A.	Min Vert Clear Code:	N	54B.	Underclearance:	0 ft.	56.	Lateral Left:	0 ft.
48.	Maximum Span Length:	154 ft.																																																					
50A.	Sidewalk/Curb Left:	0.0 ft.																																																					
51.	Bridge Roadway Width:	24 ft.																																																					
32.	Approach Roadway Width:	24 ft.																																																					
34.	Skew:	0 Degree(s)																																																					
10.	Defense Vertical Clearance:	99.99																																																					
47.	Total Horiz. Clearance:	24 ft.																																																					
55A.	Min Latr. Cl. Right - Code:	N																																																					
55B.	Lateral Right:	0 ft.																																																					
49.	Structure Length:	286 ft.																																																					
50B.	Sidewalk/Curb Right:	0.0 ft.																																																					
52.	Deck Width (O-O)	27.3 ft.																																																					
33.	Bridge Median:	0 (NO MEDIAN)																																																					
35.	Structure Flared:	0 (NO FLARE)																																																					
53.	Vertical Clearance/Deck:	99.99 ft.																																																					
54A.	Min Vert Clear Code:	N																																																					
54B.	Underclearance:	0 ft.																																																					
56.	Lateral Left:	0 ft.																																																					

STRUCTURE INVENTORY AND APPRAISAL REPORT - 2

NBI Number: 2200086
 Facility Carried: SPRING ST

Bridge Number: 22-00070
 Feature(s) Intersected: SILVER CREEK

NAVIGATION

38. Navigational Control:	1	40. Navigational Horizontal Clearance:	154 ft.
39. Navigational Vertical Clearance:	45 ft.	116. Vertical Clearance - Lift Bridge:	ft.
111. Pier/Abutment Protection:	5		

CLASSIFICATION

112. NBIS Bridge Length:	Y	12. Base Highway Network:	0
104. Highway System - Over:	0 (NOT ON NHS)	13A. LRS Inventory Route:	
26. Func. Class - Over:	17 (URBAN - COLLECTOR)	13B. LRS Inventory Subroute:	
100. Defense Highway Des:	0	101. Parallel Structure Des:	N
102. Direction of Traffic:	2 (2-WAY TRAFFIC)	103. Temporary Structure Des:	
110. Des. Nat. Network:	0	20. Toll:	3 (ON FREE ROAD-NO TOLL)
21. Maint. Responsibility:	02 (COUNTY HIGHWAY AGENCY)	22. Owner:	02 (COUNTY HIGHWAY AGENCY)
37. Historical Significance:	2 (ELIGIBLE FOR NATIONAL REGISTER)		

CONDITION

58. Deck:	Material: CONCRETE	Rating:	8
VERY GOOD - DEBRIS IN GUTTERS, DRAINS PLUGGED			
58.01. Wearing Surface:	Material: INTEGRAL CONCRETE	Rating:	8
VERY GOOD - HAIRLINE LONGITUDINAL CRACKS			
59. Superstructure:	Material: CONCRETE	Rating:	8
VERY GOOD - BEAM END CHIPS			
60. Substructure:	Material: CONCRETE	Rating:	8
VERY GOOD - SPALLS ON MAIN SPAN ARCH, HL CRACKS ON NOSE OF PIERS, HL CRACKS AT BASE OF SPANDRELS			
61. Channel:	Material: RIPRAP & NATURAL	Rating:	8
VERY GOOD - BRUSHY BANKS, EROSION EAST			
62. Culvert/Ret:	Material: N/A	Rating:	N
N/A			

LOAD RATING AND POSTING

31. Design Load:	5 (HS 20)	63. Oper Rating Method:	0 (FIELD EVAL AND ENG JUDGEMENT)
64. Operating Rating:	36	65. Inv Rating Method:	0 (FIELD EVAL AND ENG JUDGEMENT)
66. Inventory Rating:	36	66C. Tons Posted:	Tons
66B. Gross Tons or H Rating:	20 Tons	66D. Date Posted/Closed:	
41. Open, Posted, or Closed:	A (OPEN)	70. Bridge Posting:	5 (EQUAL TO OR ABOVE LEGAL LOADS)

STRUCTURE INVENTORY AND APPRAISAL REPORT - 3

NBI Number: 2200086
Facility Carried: SPRING ST

Bridge Number: 22-00070
Feature(s) Intersected: SILVER CREEK

APPRAISAL

67.	Structural:	8
68.	Geometry:	2
69.	Underclearance:	N
71.	Waterway Adequacy:	9
36A.	Traffic Safety Features (Bridge Railings):	1 (MEETS ACCEPTABLE STANDARDS)
36B.	Traffic Safety Features (Transitions):	1 (MEETS ACCEPTABLE STANDARDS)
36C.	Traffic Safety Features (Approach Guardrail):	1 (MEETS ACCEPTABLE STANDARDS)
36D.	Traffic Safety Features (Approach Guardrail Ends):	1 (MEETS ACCEPTABLE STANDARDS)
72.	Roadway Alignment:	6 - TANGENT & LEVEL
	Material:	CONCRETE / BITUMINOUS
	Comments:	SETTLED SLIGHTLY
113.	Scour Critical Bridges:	8 (STABLE - EXCELLENT CONDITION)
	Comments:	

PROPOSED IMPROVEMENTS

75A.	Type of Work:	(NO WORK NEEDED.)
75B.	Work Done By:	0
76.	Improvement Length:	0 ft.
94.	Bridge Improvement Costs:	0 x 1000
95.	Roadway Improvement Costs:	0 x 1000
96.	Total Project Cost:	0 x 1000
97.	Year of Cost Estimate:	

RECOMMENDED MAINTENANCE

RECOMMEND CLEANING DRAINS, AND PLACING RIPRAP ALONG NW WING.

INSPECTION DATA

90.	Date:	3/4/2020	91.	Des. Inspection Frequency:	24 Months
92.	Critical Feature Inspection:	A: N	B: N	C: N	
93.	Date:	A:	B:	C:	

Unofficial Sufficiency Rating: 80.3

Unofficial Structural and Functional Classification: 2 (FUNCTIONALLY OBSOLETE)



LOOKING NORTH FROM ROAD



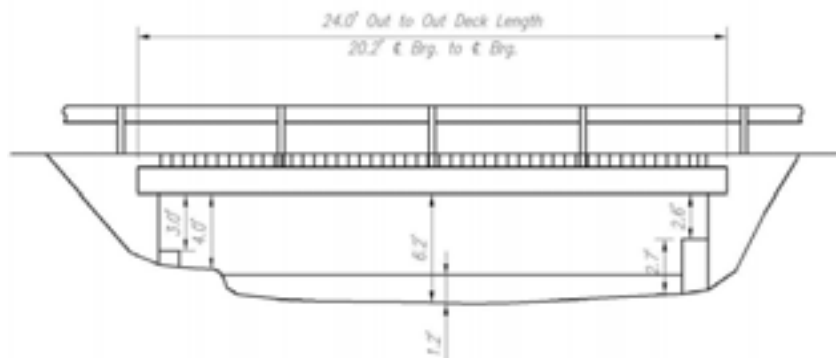
LOOKING SOUTH FROM ROAD



LOOKING EAST THROUGH CHANNEL



LOOKING SOUTH FROM CHANNEL



See on
Township Map

FLOYD COUNTY - BRIDGE NO. 22-00071
TWO MILE LN over FRENCH CREEK

STRUCTURE INVENTORY AND APPRAISAL REPORT - 1

NBI Number: 2200060
 Facility Carried: TWO MILE LN

Bridge Number: 22-00071
 Feature(s) Intersected: FRENCH CREEK

IDENTIFICATION

1. State: 185 (INDIANA) 8. NBI Number: 2200060 5. Inventory Route On: 1-4-2- 0-0 2. District: 05 (SEYMOUR) 3. County: 022 (FLOYD) 6. Feat Intersected: FRENCH CREEK 7. Facility Carried: TWO MILE LN 9. Location: 00.10 E OF BUDD RD	4. City/Town: 00000 () 98. Border Bridge: 99. Border Bridge Number: 11. Mile Point (over): 0 16. Latitude: 38.25508 17. Longitude: -85.860733
---	--

STRUCTURE DATA

43A. Structure Type - Main Span: 1 (CONCRETE) 43B. Structure Type - Main Span - Const. 01 (SLAB) 107. Deck Structure Type: 1 (CONCRETE CAST-IN-PLACE) 108A. Wearing Surface: 6 (BITUMINOUS) 108C. Protection 0 (NONE)	44. Structure Type - Approach: 000 45. Number of Spans - Main: 1 46. Number of Spans - Approach: 0000 108B. Membrane: 8 (UNKNOWN)
---	--

AGE OF SERVICE

27. Year Built: 1934 42A. Type of Service Over: 1 (HIGHWAY) 28A. Lanes on Structure: 2 29. ADT - Over: 810 VPD 114. Future ADT: 1193 VPD 109. Average Truck Traffic: 3 %Trucks	106. Reconstructed: 0 42B. Type of Service Under: 5 (WATERWAY) 28B. Lanes Under Structure: 0 30. ADT Year Over: 2016 115. Future ADT Year: 2036 19. Bypass Detour Length: 7 mi.
---	--

GEOMETRIC DATA

48. Maximum Span Length: 20.2 ft. 50A. Sidewalk/Curb Left: 0.0 ft. 51. Bridge Roadway Width: 23.5 ft. 32. Approach Roadway Width: 22 ft. 34. Skew: 30 Degree(s) 10. Defense Vertical Clearance: 99.99 47. Total Horiz. Clearance: 23.5 ft. 55A. Min Latr. Cl. Right - Code: N 55B. Lateral Right: 0 ft.	49. Structure Length: 24 ft. 50B. Sidewalk/Curb Right: 0.0 ft. 52. Deck Width (O-O) 24 ft. 33. Bridge Median: 0 (NO MEDIAN) 35. Structure Flared: 0 (NO FLARE) 53. Vertical Clearance/Deck: 99.99 ft. 54A. Min Vert Clear Code: N 54B. Underclearance: 0 ft. 56. Lateral Left: 0 ft.
---	--

STRUCTURE INVENTORY AND APPRAISAL REPORT - 2

NBI Number: 2200060 Facility Carried: TWO MILE LN	Bridge Number: 22-00071 Feature(s) Intersected: FRENCH CREEK
--	---

NAVIGATION

38. Navigational Control: 0	40. Navigational Horizontal Clearance: 0 ft.
39. Navigational Vertical Clearance: 0 ft.	116. Vertical Clearance - Lift Bridge: ft.
111. Pier/Abutment Protection:	

CLASSIFICATION

112. NBIS Bridge Length: Y	12. Base Highway Network: 0
104. Highway System - Over: 0 (NOT ON NHS)	13A. LRS Inventory Route:
26. Func. Class - Over: 09 (RURAL - LOCAL)	13B. LRS Inventory Subroute:
100. Defense Highway Des: 0	101. Parallel Structure Des: N
102. Direction of Traffic: 2 (2-WAY TRAFFIC)	103. Temporary Structure Des:
110. Des. Nat. Network: 0	20. Toll: 3 (ON FREE ROAD-NO TOLL)
21. Maint. Responsibility: 02 (COUNTY HIGHWAY AGENCY)	22. Owner: 02 (COUNTY HIGHWAY AGENCY)
37. Historical Significance: 5 (NOT ELIGIBLE)	

CONDITION

58. Deck: GOOD - EXCESSIVE WEARING SURFACE	Material: CONCRETE	Rating: 7
58.01. Wearing Surface: GOOD - CRACKS AT ENDS & CENTERLINE	Material: BITUMINOUS (3.5")	Rating: 7
59. Superstructure: GOOD - NO MAJOR DEFECTS	Material: CONCRETE	Rating: 7
60. Substructure: GOOD - HAIRLINE VERTICAL CRACKS NORTH ABUTMENT, TOPS OF FOOTINGS PARTIALLY EXPOSED, OLDER ABUTMENTS TO WEST AND NEWER WIDENING AT EAST	Material: CONCRETE	Rating: 7
61. Channel: GOOD - FLOW TOWARD SOUTH ABUTMENT	Material: RIPRAP & NATURAL	Rating: 7
62. Culvert/Ret: N/A	Material: N/A	Rating: N

LOAD RATING AND POSTING

31. Design Load: 0 (UNKNOWN)	63. Oper Rating Method: 0 (FIELD EVAL AND ENG JUDGEMENT)
64. Operating Rating: 36	65. Inv Rating Method: 0 (FIELD EVAL AND ENG JUDGEMENT)
66. Inventory Rating: 36	66C. Tons Posted: Tons
66B. Gross Tons or H Rating: 20 Tons	66D. Date Posted/Closed:
41. Open, Posted, or Closed: A (OPEN)	70. Bridge Posting: 5 (EQUAL TO OR ABOVE LEGAL LOADS)

STRUCTURE INVENTORY AND APPRAISAL REPORT - 3

NBI Number: 2200060
Facility Carried: TWO MILE LN

Bridge Number: 22-00071
Feature(s) Intersected: FRENCH CREEK

APPRAISAL

67.	Structural:	7
68.	Geometry:	4
69.	Underclearance:	N
71.	Waterway Adequacy:	5
36A.	Traffic Safety Features (Bridge Railings):	1 (MEETS ACCEPTABLE STANDARDS)
36B.	Traffic Safety Features (Transitions):	0 (DOES NOT MEET ACCEPTABLE STANDARDS/SAFETY FEATURE IS REQUIRED)
36C.	Traffic Safety Features (Approach Guardrail):	0 (DOES NOT MEET ACCEPTABLE STANDARDS/SAFETY FEATURE IS REQUIRED)
36D.	Traffic Safety Features (Approach Guardrail Ends):	1 (MEETS ACCEPTABLE STANDARDS)
72.	Roadway Alignment:	6 - BRIDGE ON LONG HUMP, MANY SMALL CURVES
	Material:	BITUMINOUS
	Comments:	CRACKS, SETTLED BEHIND NW WING
113.	Scour Critical Bridges:	5 (STABLE - WITHIN LIMITS)
	Comments:	

PROPOSED IMPROVEMENTS

75A.	Type of Work:	(NO WORK NEEDED.)
75B.	Work Done By:	0
76.	Improvement Length:	0 ft.
94.	Bridge Improvement Costs:	0 x 1000
95.	Roadway Improvement Costs:	0 x 1000
96.	Total Project Cost:	0 x 1000
97.	Year of Cost Estimate:	

RECOMMENDED MAINTENANCE

RECOMMEND INSTALLING CURRENT STD. BRIDGE & APPR. RAIL W/END TREATMENT AND SE & SW B.E.M.'S, AND PLACING RIPRAP AT SE CORNER.

INSPECTION DATA

90.	Date:	3/3/2020	91.	Des. Inspection Frequency:	24 Months
92.	Critical Feature Inspection:	A: N	B: N	C: N	
93.	Date:	A:	B:	C:	

Unofficial Sufficiency Rating: 80.5
Unofficial Structural and Functional Classification: 0 (OK)



LOOKING NORTH FROM ROAD



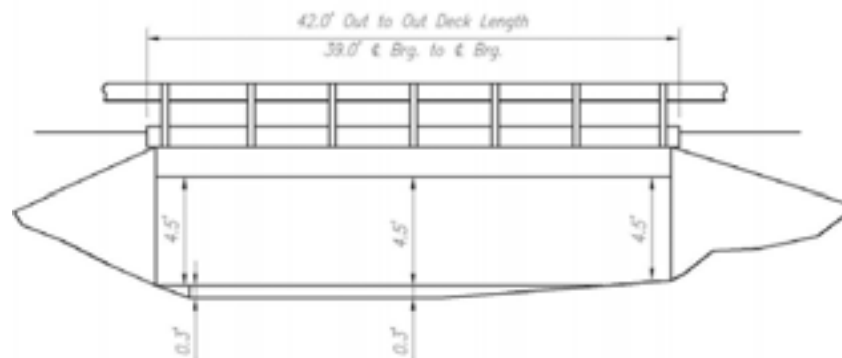
LOOKING SOUTH FROM ROAD



LOOKING WEST THROUGH CHANNEL



LOOKING NORTH AT ABUTMENT



See Additional Photographs

See on Township Map

FLOYD COUNTY - BRIDGE NO. 22-00072
EVANS-JACOBI RD over BRANCH LITTLE INDIAN CR

STRUCTURE INVENTORY AND APPRAISAL REPORT - 1

NBI Number: 2200061
 Facility Carried: EVANS-JACOBI RD

Bridge Number: 22-00072
 Feature(s) Intersected: BRANCH LITTLE INDIAN CR

IDENTIFICATION

1. State:	185 (INDIANA)	4. City/Town:	00000 ()
8. NBI Number:	2200061		
5. Inventory Route On:	1-4-2- 0-0	98. Border Bridge:	
2. District:	05 (SEYMOUR)	99. Border Bridge Number:	
3. County:	022 (FLOYD)		
6. Feat Intersected:	BRANCH LITTLE INDIAN CR	11. Mile Point (over):	0
7. Facility Carried:	EVANS-JACOBI RD	16. Latitude:	38.33715
9. Location:	00.10 S OF JOHN PECTOL	17. Longitude:	-85.961433

STRUCTURE DATA

43A. Structure Type - Main Span:	5 (PRESTRESSED CONCRETE)	44. Structure Type - Approach:	000
43B. Structure Type - Main Span - Const.	05 (ADJACENT BOX BEAM)	45. Number of Spans - Main:	1
107. Deck Structure Type:	2 (CONCRETE PRECAST)	46. Number of Spans - Approach:	0000
108A. Wearing Surface:	6 (BITUMINOUS)	108B. Membrane:	8 (UNKNOWN)
108C. Protection	8 (UNKNOWN)		

AGE OF SERVICE

27. Year Built:	1981	106. Reconstructed:	0
42A. Type of Service Over:	1 (HIGHWAY)	42B. Type of Service Under:	5 (WATERWAY)
28A. Lanes on Structure:	2	28B. Lanes Under Structure:	0
29. ADT - Over:	421 VPD	30. ADT Year Over:	2016
114. Future ADT:	621 VPD	115. Future ADT Year:	2036
109. Average Truck Traffic:	4 %Trucks	19. Bypass Detour Length:	2 mi.

GEOMETRIC DATA

48. Maximum Span Length:	39 ft.	49. Structure Length:	42 ft.
50A. Sidewalk/Curb Left:	0.0 ft.	50B. Sidewalk/Curb Right:	0.0 ft.
51. Bridge Roadway Width:	27.9 ft.	52. Deck Width (O-O)	28.2 ft.
32. Approach Roadway Width:	21 ft.	33. Bridge Median:	0 (NO MEDIAN)
34. Skew:	45 Degree(s)	35. Structure Flared:	0 (NO FLARE)
10. Defense Vertical Clearance:	99.99	53. Vertical Clearance/Deck:	99.99 ft.
47. Total Horiz. Clearance:	27.9 ft.	54A. Min Vert Clear Code:	N
55A. Min Latr. Cl. Right - Code:	N	54B. Underclearance:	0 ft.
55B. Lateral Right:	0 ft.	56. Lateral Left:	0 ft.

STRUCTURE INVENTORY AND APPRAISAL REPORT - 2

NBI Number: 2200061
 Facility Carried: EVANS-JACOBI RD

Bridge Number: 22-00072
 Feature(s) Intersected: BRANCH LITTLE INDIAN CR

NAVIGATION

38. Navigational Control: 0 39. Navigational Vertical Clearance: 0 ft. 111. Pier/Abutment Protection:		40. Navigational Horizontal Clearance: 0 ft. 116. Vertical Clearance - Lift Bridge: ft.
---	--	--

CLASSIFICATION

112. NBIS Bridge Length: Y 104. Highway System - Over: 0 (NOT ON NHS) 26. Func. Class - Over: 09 (RURAL - LOCAL) 100. Defense Highway Des: 0 102. Direction of Traffic: 2 (2-WAY TRAFFIC) 110. Des. Nat. Network: 0 21. Maint. Responsibility: 02 (COUNTY HIGHWAY AGENCY) 37. Historical Significance: 5 (NOT ELIGIBLE)		12. Base Highway Network: 0 13A. LRS Inventory Route: 13B. LRS Inventory Subroute: 101. Parallel Structure Des: N 103. Temporary Structure Des: 20. Toll: 3 (ON FREE ROAD-NO TOLL) 22. Owner: 02 (COUNTY HIGHWAY AGENCY)
---	--	--

CONDITION

58. Deck:	Material: PRESTR. CONC. BOX BEAMS	Rating:	7
GOOD - LIGHT SCALING, POPOUTS			
58.01. Wearing Surface:	Material: BITUMINOUS (5")	Rating:	6
SATIS - NOT FULL WIDTH, CRACKS			
59. Superstructure:	Material: PRESTR. CONC. BOX BEAMS	Rating:	7
GOOD - SMALL SPALLS ON BEAM EDGES			
60. Substructure:	Material: CONCRETE	Rating:	6
SATIS - VERTICAL CRACKS, LEACHING, TOP OF FOOTING EXPOSED AT BOTH ABUTMENTS			
61. Channel:	Material: RIPRAP & NATURAL	Rating:	6
SATIS - AGGRADATION, MINOR DRIFT, FLOW TOWARDS SE CORNER			
62. Culvert/Ret:	Material: N/A	Rating:	N
N/A			

LOAD RATING AND POSTING

31. Design Load: 5 (HS 20) 64. Operating Rating: 69 66. Inventory Rating: 50 66B. Gross Tons or H Rating: 41 Tons 41. Open, Posted, or Closed: A (OPEN)		63. Oper Rating Method: 3 (LOAD RESISTANCE FACTOR (LRFR)) 65. Inv Rating Method: 3 (LOAD AND RESISTANCE FACTOR (LRFR)) 66C. Tons Posted: Tons 66D. Date Posted/Closed: 70. Bridge Posting: 5 (EQUAL TO OR ABOVE LEGAL LOADS)
---	--	--

STRUCTURE INVENTORY AND APPRAISAL REPORT - 3

NBI Number: 2200061
 Facility Carried: EVANS-JACOBI RD

Bridge Number: 22-00072
 Feature(s) Intersected: BRANCH LITTLE INDIAN CR

APPRAISAL

67.	Structural:	6
68.	Geometry:	5
69.	Underclearance:	N
71.	Waterway Adequacy:	4
36A.	Traffic Safety Features (Bridge Railings):	0 (DOES NOT MEET ACCEPTABLE STANDARDS/SAFETY FEATURE IS REQUIRED)
36B.	Traffic Safety Features (Transitions):	0 (DOES NOT MEET ACCEPTABLE STANDARDS/SAFETY FEATURE IS REQUIRED)
36C.	Traffic Safety Features (Approach Guardrail):	1 (MEETS ACCEPTABLE STANDARDS)
36D.	Traffic Safety Features (Approach Guardrail Ends):	0 (DOES NOT MEET ACCEPTABLE STANDARDS/SAFETY FEATURE IS REQUIRED)
72.	Roadway Alignment:	8 - TANGENT & LEVEL, "T" INT. N., HILL S.
	Material:	BITUMINOUS
	Comments:	NO MAJOR DEFECTS
113.	Scour Critical Bridges:	5 (STABLE - WITHIN LIMITS)
	Comments:	

PROPOSED IMPROVEMENTS

75A.	Type of Work:	(NO WORK NEEDED.)
75B.	Work Done By:	0
76.	Improvement Length:	0 ft.
94.	Bridge Improvement Costs:	0 x 1000
95.	Roadway Improvement Costs:	0 x 1000
96.	Total Project Cost:	0 x 1000
97.	Year of Cost Estimate:	

RECOMMENDED MAINTENANCE

RECOMMEND INSTALLING CURRENT STD. BRIDGE & APPR. RAIL W/ END TREATMENT.

INSPECTION DATA

90.	Date:	3/4/2020	91.	Des. Inspection Frequency:	24 Months
92.	Critical Feature Inspection:	A: N	B: N	C: N	
93.	Date:	A:	B:	C:	
	Unofficial Sufficiency Rating:	94.9			
	Unofficial Structural and Functional Classification:	0 (OK)			



LOOKING EAST FROM ROAD



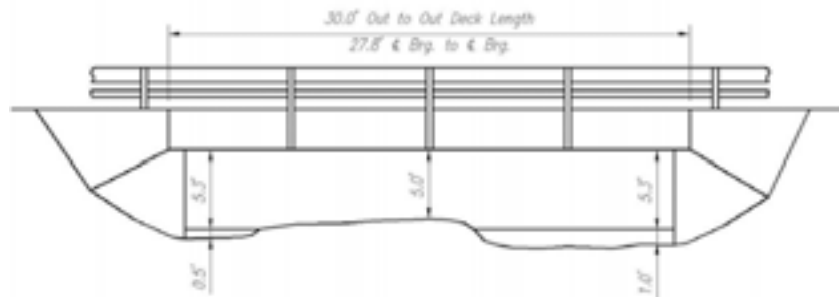
LOOKING WEST FROM ROAD



LOOKING SOUTH THROUGH CHANNEL



LOOKING EAST AT UNDERSIDE



See Additional Photographs

See on Township Map

FLOYD COUNTY - BRIDGE NO. 22-00073
CROWDER RD over RICHLAND CREEK

STRUCTURE INVENTORY AND APPRAISAL REPORT - 1

NBI Number: 2200062 Facility Carried: CROWDER RD	Bridge Number: 22-00073 Feature(s) Intersected: RICHLAND CREEK
---	---

IDENTIFICATION

1. State: 185 (INDIANA) 8. NBI Number: 2200062 5. Inventory Route On: 1-4-2- 320-0 2. District: 05 (SEYMOUR) 3. County: 022 (FLOYD) 6. Feat Intersected: RICHLAND CREEK 7. Facility Carried: CROWDER RD 9. Location: 00.10 E G'TOWN-GREENVLE	4. City/Town: 00000 () 98. Border Bridge: 99. Border Bridge Number: 11. Mile Point (over): 0 16. Latitude: 38.34701 17. Longitude: -86.003487
---	--

STRUCTURE DATA

43A. Structure Type - Main Span: 5 (PRESTRESSED CONCRETE) 43B. Structure Type - Main Span - Const. 05 (ADJACENT BOX BEAM) 107. Deck Structure Type: 2 (CONCRETE PRECAST) 108A. Wearing Surface: 6 (BITUMINOUS) 108C. Protection 0 (NONE)	44. Structure Type - Approach: 000 45. Number of Spans - Main: 1 46. Number of Spans - Approach: 0000 108B. Membrane: 0 (NONE)
--	---

AGE OF SERVICE

27. Year Built: 2003 42A. Type of Service Over: 1 (HIGHWAY) 28A. Lanes on Structure: 2 29. ADT - Over: 98 VPD 114. Future ADT: 144 VPD 109. Average Truck Traffic: 5 %Trucks	106. Reconstructed: 0 42B. Type of Service Under: 5 (WATERWAY) 28B. Lanes Under Structure: 0 30. ADT Year Over: 2016 115. Future ADT Year: 2036 19. Bypass Detour Length: 199 mi.
---	--

GEOMETRIC DATA

48. Maximum Span Length: 27.8 ft. 50A. Sidewalk/Curb Left: 0.0 ft. 51. Bridge Roadway Width: 20.9 ft. 32. Approach Roadway Width: 16 ft. 34. Skew: 0 Degree(s) 10. Defense Vertical Clearance: 99.99 47. Total Horiz. Clearance: 20.9 ft. 55A. Min Latr. Cl. Right - Code: N 55B. Lateral Right: 0 ft.	49. Structure Length: 30 ft. 50B. Sidewalk/Curb Right: 0.0 ft. 52. Deck Width (O-O) 21.1 ft. 33. Bridge Median: 0 (NO MEDIAN) 35. Structure Flared: 0 (NO FLARE) 53. Vertical Clearance/Deck: 99.99 ft. 54A. Min Vert Clear Code: N 54B. Underclearance: 0 ft. 56. Lateral Left: 0 ft.
--	--

STRUCTURE INVENTORY AND APPRAISAL REPORT - 2

NBI Number: 2200062
 Facility Carried: CROWDER RD

Bridge Number: 22-00073
 Feature(s) Intersected: RICHLAND CREEK

NAVIGATION

38. Navigational Control: 0	40. Navigational Horizontal Clearance: 0 ft.
39. Navigational Vertical Clearance: 0 ft.	116. Vertical Clearance - Lift Bridge: ft.
111. Pier/Abutment Protection:	

CLASSIFICATION

112. NBIS Bridge Length: Y	12. Base Highway Network: 0
104. Highway System - Over: 0 (NOT ON NHS)	13A. LRS Inventory Route:
26. Func. Class - Over: 09 (RURAL - LOCAL)	13B. LRS Inventory Subroute:
100. Defense Highway Des: 0	101. Parallel Structure Des: N
102. Direction of Traffic: 2 (2-WAY TRAFFIC)	103. Temporary Structure Des:
110. Des. Nat. Network: 0	20. Toll: 3 (ON FREE ROAD-NO TOLL)
21. Maint. Responsibility: 02 (COUNTY HIGHWAY AGENCY)	22. Owner: 02 (COUNTY HIGHWAY AGENCY)
37. Historical Significance: 5 (NOT ELIGIBLE)	

CONDITION

58. Deck: VERY GOOD - NO MAJOR DEFECTS	Material: CONCRETE BOX BEAM	Rating: 8	
58.01. Wearing Surface: GOOD - NOT FULL WIDTH, LONGITUDINAL CRACKS	Material: BITUMINOUS (2")	Rating: 7	
59. Superstructure: VERY GOOD - SEEPAGE BETWEEN BEAMS	Material: CONCRETE BOX BEAM	Rating: 8	
60. Substructure: GOOD - 3 HL VERTICAL CRACKS AT BOTH ABUTS	Material: CONCRETE	Rating: 7	
61. Channel: VERY GOOD - BRUSHY STREAM BANKS	Material: RIPRAP & NATURAL	Rating: 8	
62. Culvert/Ret: N/A	Material: N/A	Rating: N	

LOAD RATING AND POSTING

31. Design Load: 5 (HS 20)	63. Oper Rating Method: 3 (LOAD RESISTANCE FACTOR (LRFR))
64. Operating Rating: 52	65. Inv Rating Method: 3 (LOAD AND RESISTANCE FACTOR (LRFR))
66. Inventory Rating: 39	66C. Tons Posted: Tons
66B. Gross Tons or H Rating: 24 Tons	66D. Date Posted/Closed:
41. Open, Posted, or Closed: A (OPEN)	70. Bridge Posting: 5 (EQUAL TO OR ABOVE LEGAL LOADS)

STRUCTURE INVENTORY AND APPRAISAL REPORT - 3

NBI Number: 2200062
 Facility Carried: CROWDER RD

Bridge Number: 22-00073
 Feature(s) Intersected: RICHLAND CREEK

APPRAISAL

67.	Structural:	7
68.	Geometry:	5
69.	Underclearance:	N
71.	Waterway Adequacy:	4
36A.	Traffic Safety Features (Bridge Railings):	1 (MEETS ACCEPTABLE STANDARDS)
36B.	Traffic Safety Features (Transitions):	0 (DOES NOT MEET ACCEPTABLE STANDARDS/SAFETY FEATURE IS REQUIRED)
36C.	Traffic Safety Features (Approach Guardrail):	0 (DOES NOT MEET ACCEPTABLE STANDARDS/SAFETY FEATURE IS REQUIRED)
36D.	Traffic Safety Features (Approach Guardrail Ends):	1 (MEETS ACCEPTABLE STANDARDS)
72.	Roadway Alignment:	6 - TANGENT, UPGRADE TO EAST, INT. TO WEST
	Material:	BITUMINOUS
	Comments:	UNDERMINED, TRANSVERSE CRACKS
113.	Scour Critical Bridges:	5 (STABLE - WITHIN LIMITS)
	Comments:	

PROPOSED IMPROVEMENTS

75A.	Type of Work:	(NO WORK NEEDED.)
75B.	Work Done By:	0
76.	Improvement Length:	0 ft.
94.	Bridge Improvement Costs:	0 x 1000
95.	Roadway Improvement Costs:	0 x 1000
96.	Total Project Cost:	0 x 1000
97.	Year of Cost Estimate:	

RECOMMENDED MAINTENANCE

RECOMMEND INSTALLING CURRENT STD. BRIDGE & APPR. RAIL W/END TREATMENT.

INSPECTION DATA

90.	Date:	3/2/2020	91.	Des. Inspection Frequency:	24 Months
92.	Critical Feature Inspection:	A: N	B: N	C: N	
93.	Date:	A:	B:	C:	
	Unofficial Sufficiency Rating:	90.1			
	Unofficial Structural and Functional Classification:	0 (OK)			



LOOKING WEST FROM ROAD



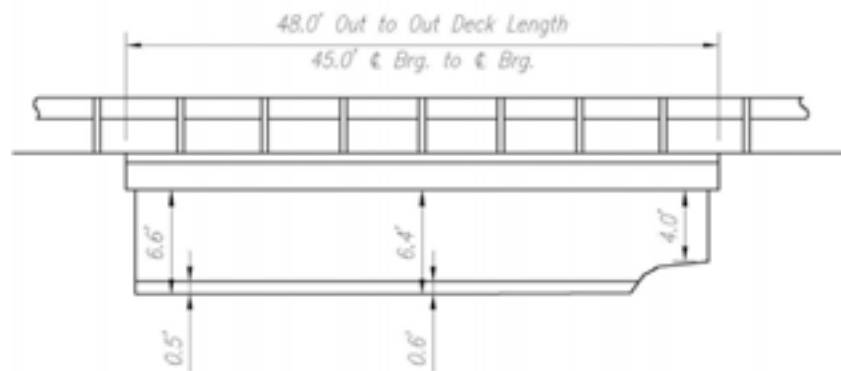
LOOKING EAST FROM ROAD



LOOKING SOUTH FROM CHANNEL



EAST ABUTMENT AND UNDERSIDE



See on
Township Map

FLOYD COUNTY - BRIDGE NO. 22-00076
TWO MILE LN over FRENCH CREEK

STRUCTURE INVENTORY AND APPRAISAL REPORT - 1

NBI Number: 2200063
 Facility Carried: TWO MILE LN

Bridge Number: 22-00076
 Feature(s) Intersected: FRENCH CREEK

IDENTIFICATION

1. State: 185 (INDIANA) 8. NBI Number: 2200063 5. Inventory Route On: 1-4-2- 0-0 2. District: 05 (SEYMOUR) 3. County: 022 (FLOYD) 6. Feat Intersected: FRENCH CREEK 7. Facility Carried: TWO MILE LN 9. Location: 00.10 E OF FRENCH CR RD	4. City/Town: 00000 () 98. Border Bridge: 99. Border Bridge Number: 11. Mile Point (over): 0 16. Latitude: 38.24788 17. Longitude: -85.857132
--	--

STRUCTURE DATA

43A. Structure Type - Main Span: 5 (PRESTRESSED CONCRETE) 43B. Structure Type - Main Span - Const. 05 (ADJACENT BOX BEAM) 107. Deck Structure Type: 2 (CONCRETE PRECAST) 108A. Wearing Surface: 6 (BITUMINOUS) 108C. Protection 0 (NONE)	44. Structure Type - Approach: 000 45. Number of Spans - Main: 1 46. Number of Spans - Approach: 0000 108B. Membrane: 8 (UNKNOWN)
--	--

AGE OF SERVICE

27. Year Built: 1980 42A. Type of Service Over: 1 (HIGHWAY) 28A. Lanes on Structure: 2 29. ADT - Over: 793 VPD 114. Future ADT: 1168 VPD 109. Average Truck Traffic: 3 %Trucks	106. Reconstructed: 0 42B. Type of Service Under: 5 (WATERWAY) 28B. Lanes Under Structure: 0 30. ADT Year Over: 2016 115. Future ADT Year: 2036 19. Bypass Detour Length: 3 mi.
---	--

GEOMETRIC DATA

48. Maximum Span Length: 45 ft. 50A. Sidewalk/Curb Left: 0.0 ft. 51. Bridge Roadway Width: 31.9 ft. 32. Approach Roadway Width: 22 ft. 34. Skew: 15 Degree(s) 10. Defense Vertical Clearance: 99.99 47. Total Horiz. Clearance: 31.9 ft. 55A. Min Latr. Cl. Right - Code: N 55B. Lateral Right: 0 ft.	49. Structure Length: 48 ft. 50B. Sidewalk/Curb Right: 0.0 ft. 52. Deck Width (O-O) 32.2 ft. 33. Bridge Median: 0 (NO MEDIAN) 35. Structure Flared: 0 (NO FLARE) 53. Vertical Clearance/Deck: 99.99 ft. 54A. Min Vert Clear Code: N 54B. Underclearance: 0 ft. 56. Lateral Left: 0 ft.
---	--

STRUCTURE INVENTORY AND APPRAISAL REPORT - 2

NBI Number: 2200063
 Facility Carried: TWO MILE LN

Bridge Number: 22-00076
 Feature(s) Intersected: FRENCH CREEK

NAVIGATION

38. Navigational Control:	0	40. Navigational Horizontal Clearance:	0 ft.
39. Navigational Vertical Clearance:	0 ft.	116. Vertical Clearance - Lift Bridge:	ft.
111. Pier/Abutment Protection:			

CLASSIFICATION

112. NBIS Bridge Length:	Y	12. Base Highway Network:	0
104. Highway System - Over:	0 (NOT ON NHS)	13A. LRS Inventory Route:	
26. Func. Class - Over:	09 (RURAL - LOCAL)	13B. LRS Inventory Subroute:	
100. Defense Highway Des:	0	101. Parallel Structure Des:	N
102. Direction of Traffic:	2 (2-WAY TRAFFIC)	103. Temporary Structure Des:	
110. Des. Nat. Network:	0	20. Toll:	3 (ON FREE ROAD-NO TOLL)
21. Maint. Responsibility:	02 (COUNTY HIGHWAY AGENCY)	22. Owner:	02 (COUNTY HIGHWAY AGENCY)
37. Historical Significance:	5 (NOT ELIGIBLE)		

CONDITION

58. Deck:	Material: CONCRETE	Rating:	8
VERY GOOD - NO MAJOR DEFECTS			
58.01. Wearing Surface:	Material: BITUMINOUS (5")	Rating:	7
GOOD - EXCESSIVE WEARING SURFACE			
59. Superstructure:	Material: CONCRETE	Rating:	8
VERY GOOD - NO MAJOR DEFECTS			
60. Substructure:	Material: CONCRETE	Rating:	7
GOOD - VERTICAL HAIRLINE CRACKS BOTH ABUTS AT ABUTMENT DRAIN HOLES, 3 EACH ABUTMENT, E ABUTMENT TOP OF FOOTING EXP.			
61. Channel:	Material: RIPRAP & NATURAL	Rating:	6
SATIS - TOP OF SOUTH FOOTING EXPOSED AT E ABUTMENT, FLOW ALONG E ABUTMENT			
62. Culvert/Ret:	Material: N/A	Rating:	N
N/A			

LOAD RATING AND POSTING

31. Design Load:	5 (HS 20)	63. Oper Rating Method:	3 (LOAD RESISTANCE FACTOR (LRFR))
64. Operating Rating:	56	65. Inv Rating Method:	3 (LOAD AND RESISTANCE FACTOR (LRFR))
66. Inventory Rating:	40	66C. Tons Posted:	Tons
66B. Gross Tons or H Rating:	33 Tons	66D. Date Posted/Closed:	
41. Open, Posted, or Closed:	A (OPEN)	70. Bridge Posting:	5 (EQUAL TO OR ABOVE LEGAL LOADS)

STRUCTURE INVENTORY AND APPRAISAL REPORT - 3

NBI Number: 2200063
Facility Carried: TWO MILE LN

Bridge Number: 22-00076
Feature(s) Intersected: FRENCH CREEK

APPRAISAL

67.	Structural:	7
68.	Geometry:	6
69.	Underclearance:	N
71.	Waterway Adequacy:	7
36A.	Traffic Safety Features (Bridge Railings):	1 (MEETS ACCEPTABLE STANDARDS)
36B.	Traffic Safety Features (Transitions):	0 (DOES NOT MEET ACCEPTABLE STANDARDS/SAFETY FEATURE IS REQUIRED)
36C.	Traffic Safety Features (Approach Guardrail):	1 (MEETS ACCEPTABLE STANDARDS)
36D.	Traffic Safety Features (Approach Guardrail Ends):	0 (DOES NOT MEET ACCEPTABLE STANDARDS/SAFETY FEATURE IS REQUIRED)
72.	Roadway Alignment:	6 - NEARLY LEVEL IN HORIZ. CURVE
	Material:	BITUMINOUS
	Comments:	CRACKS
113.	Scour Critical Bridges:	5 (STABLE - WITHIN LIMITS)
	Comments:	

PROPOSED IMPROVEMENTS

75A.	Type of Work:	(NO WORK NEEDED.)
75B.	Work Done By:	0
76.	Improvement Length:	0 ft.
94.	Bridge Improvement Costs:	0 x 1000
95.	Roadway Improvement Costs:	0 x 1000
96.	Total Project Cost:	0 x 1000
97.	Year of Cost Estimate:	

RECOMMENDED MAINTENANCE

RECOMMEND INSTALLING CURRENT STD. NW & SE B.E.M.'S, AND PLACING RIPRAP ALONG S ABUTMENT.

INSPECTION DATA

90.	Date:	3/3/2020	91.	Des. Inspection Frequency:	24 Months
92.	Critical Feature Inspection:	A: N	B: N	C: N	
93.	Date:	A:	B:	C:	
	Unofficial Sufficiency Rating:	98.8			
	Unofficial Structural and Functional Classification:	0 (OK)			



LOOKING NORTH FROM ROAD



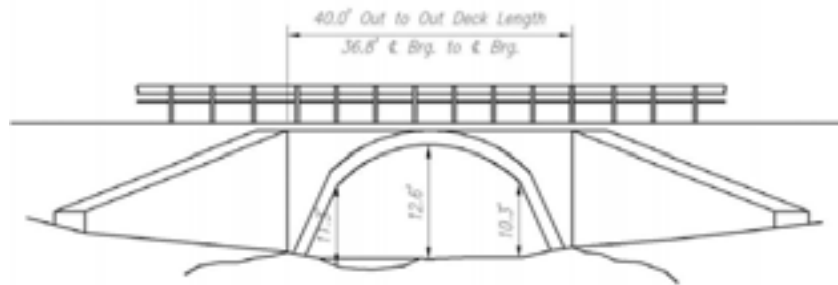
LOOKING SOUTH FROM ROAD



LOOKING EAST THROUGH CHANNEL



HAIRLINE CRACKS ALONG CENTERLINE



See Additional Photographs

See on Township Map

FLOYD COUNTY - BRIDGE NO. 22-00080 B
SEVEN MILE LN over STEWART CREEK

STRUCTURE INVENTORY AND APPRAISAL REPORT - 1

NBI Number: 2200109
 Facility Carried: SEVEN MILE LN

Bridge Number: 22-00080 B
 Feature(s) Intersected: STEWART CREEK

IDENTIFICATION

1.	State:	185 (INDIANA)	4.	City/Town:	14734 (COLUMBUS)
8.	NBI Number:	2200109			
5.	Inventory Route On:	1-4-2- 0-0	98.	Border Bridge:	
2.	District:	05 (SEYMOUR)	99.	Border Bridge Number:	
3.	County:	022 (FLOYD)			
6.	Feat Intersected:	STEWART CREEK	11.	Mile Point (over):	0
7.	Facility Carried:	SEVEN MILE LN	16.	Latitude:	38.1826
9.	Location:	00.80 N HWY 111	17.	Longitude:	-85.90855

STRUCTURE DATA

43A.	Structure Type - Main Span:	1 (CONCRETE)	44.	Structure Type - Approach:	000
43B.	Structure Type - Main Span - Const.	19 (CULVERT)	45.	Number of Spans - Main:	1
107.	Deck Structure Type:	N (N/A - UNDER FILL)	46.	Number of Spans - Approach:	0
108A.	Wearing Surface:	N (N/A)	108B.	Membrane:	N (N/A)
108C.	Protection	N (N/A)			

AGE OF SERVICE

27.	Year Built:	2016	106.	Reconstructed:	0
42A.	Type of Service Over:	1 (HIGHWAY)	42B.	Type of Service Under:	5 (WATERWAY)
28A.	Lanes on Structure:	2	28B.	Lanes Under Structure:	0
29.	ADT - Over:	138 VPD	30.	ADT Year Over:	2016
114.	Future ADT:	204 VPD	115.	Future ADT Year:	2036
109.	Average Truck Traffic:	2 %Trucks	19.	Bypass Detour Length:	5 mi.

GEOMETRIC DATA

48.	Maximum Span Length:	36.9 ft.	49.	Structure Length:	40 ft.
50A.	Sidewalk/Curb Left:	0.0 ft.	50B.	Sidewalk/Curb Right:	0.0 ft.
51.	Bridge Roadway Width:	21.5 ft.	52.	Deck Width (O-O)	21.5 ft.
32.	Approach Roadway Width:	22 ft.	33.	Bridge Median:	0 (NO MEDIAN)
34.	Skew:	45 Degree(s)	35.	Structure Flared:	0 (NO FLARE)
10.	Defense Vertical Clearance:	99.99	53.	Vertical Clearance/Deck:	99.99 ft.
47.	Total Horiz. Clearance:	21.6 ft.	54A.	Min Vert Clear Code:	N
55A.	Min Latr. Cl. Right - Code:	N	54B.	Underclearance:	0 ft.
55B.	Lateral Right:	0 ft.	56.	Lateral Left:	0 ft.

STRUCTURE INVENTORY AND APPRAISAL REPORT - 2

NBI Number: 2200109
 Facility Carried: SEVEN MILE LN

Bridge Number: 22-00080 B
 Feature(s) Intersected: STEWART CREEK

NAVIGATION

38. Navigational Control:	0	40. Navigational Horizontal Clearance:	0 ft.
39. Navigational Vertical Clearance:	0 ft.	116. Vertical Clearance - Lift Bridge:	ft.
111. Pier/Abutment Protection:			

CLASSIFICATION

112. NBIS Bridge Length:	Y	12. Base Highway Network:	0
104. Highway System - Over:	0 (NOT ON NHS)	13A. LRS Inventory Route:	
26. Func. Class - Over:	09 (RURAL - LOCAL)	13B. LRS Inventory Subroute:	
100. Defense Highway Des:	0	101. Parallel Structure Des:	N
102. Direction of Traffic:	2 (2-WAY TRAFFIC)	103. Temporary Structure Des:	
110. Des. Nat. Network:	0	20. Toll:	3 (ON FREE ROAD-NO TOLL)
21. Maint. Responsibility:	02 (COUNTY HIGHWAY AGENCY)	22. Owner:	02 (COUNTY HIGHWAY AGENCY)
37. Historical Significance:	5 (NOT ELIGIBLE)		

CONDITION

58. Deck:	Material: N/A	Rating:	N
	N/A		
58.01. Wearing Surface:	Material: N/A	Rating:	N
	N/A		
59. Superstructure:	Material: N/A	Rating:	N
	N/A		
60. Substructure:	Material: N/A	Rating:	N
	N/A		
61. Channel:	Material: RIPRAP	Rating:	8
	VERY GOOD - NO MAJOR DEFECTS		
62. Culvert/Ret:	Material: PRECAST CONC. ARCH	Rating:	8
	VERY GOOD - HAIRLINE CRACKS IN HEADWALL, CENTERLINE OF STRUCTURE, AND MIDHEIGHT OF LEGS.		

LOAD RATING AND POSTING

31. Design Load:	9 (HS 25 OR GREATER)	63. Oper Rating Method:	0 (FIELD EVAL AND ENG JUDGEMENT)
64. Operating Rating:	36	65. Inv Rating Method:	0 (FIELD EVAL AND ENG JUDGEMENT)
66. Inventory Rating:	36	66C. Tons Posted:	Tons
66B. Gross Tons or H Rating:	20 Tons	66D. Date Posted/Closed:	
41. Open, Posted, or Closed:	A (OPEN)	70. Bridge Posting:	5 (EQUAL TO OR ABOVE LEGAL LOADS)

STRUCTURE INVENTORY AND APPRAISAL REPORT - 3

NBI Number: 2200109
Facility Carried: SEVEN MILE LN

Bridge Number: 22-00080 B
Feature(s) Intersected: STEWART CREEK

APPRAISAL

67.	Structural:	8
68.	Geometry:	4
69.	Underclearance:	N
71.	Waterway Adequacy:	8
36A.	Traffic Safety Features (Bridge Railings):	1 (MEETS ACCEPTABLE STANDARDS)
36B.	Traffic Safety Features (Transitions):	N (NA/SAFETY FEATURE NOT REQUIRED)
36C.	Traffic Safety Features (Approach Guardrail):	1 (MEETS ACCEPTABLE STANDARDS)
36D.	Traffic Safety Features (Approach Guardrail Ends):	1 (MEETS ACCEPTABLE STANDARDS)
72.	Roadway Alignment:	8 - TANGENT, ON SLIGHT UPGRADE TO SOUTH
	Material:	BITUMINOUS
	Comments:	NO MAJOR DEFECTS
113.	Scour Critical Bridges:	8 (STABLE - EXCELLENT CONDITION)
	Comments:	

PROPOSED IMPROVEMENTS

75A.	Type of Work:	(NO WORK NEEDED.)
75B.	Work Done By:	0
76.	Improvement Length:	0 ft.
94.	Bridge Improvement Costs:	0 x 1000
95.	Roadway Improvement Costs:	0 x 1000
96.	Total Project Cost:	0 x 1000
97.	Year of Cost Estimate:	

RECOMMENDED MAINTENANCE

NO MAINTENANCE NEEDED.

INSPECTION DATA

90.	Date:	3/3/2020	91.	Des. Inspection Frequency:	24 Months
92.	Critical Feature Inspection:	A: N	B: N	C: N	
93.	Date:	A:	B:	C:	
	Unofficial Sufficiency Rating:	87.4			
	Unofficial Structural and Functional Classification:	0 (OK)			



LOOKING WEST FROM ROAD



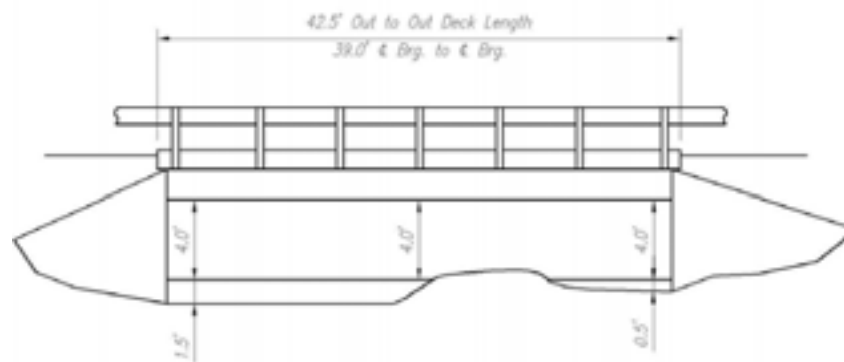
LOOKING EAST FROM ROAD



LOOKING NORTH THROUGH CHANNEL



BEAM 4 SPALL NEAR WEST ABUTMENT



See Additional Photographs

See on Township Map

STRUCTURE INVENTORY AND APPRAISAL REPORT - 1

NBI Number: 2200065
 Facility Carried: JOHN PECTOL RD

Bridge Number: 22-00081
 Feature(s) Intersected: BR LITTLE INDIAN CR

IDENTIFICATION

1. State:	185 (INDIANA)	4. City/Town:	00000 ()
8. NBI Number:	2200065		
5. Inventory Route On:	1-4-2- 0-0	98. Border Bridge:	
2. District:	05 (SEYMOUR)	99. Border Bridge Number:	
3. County:	022 (FLOYD)		
6. Feat Intersected:	BR LITTLE INDIAN CR	11. Mile Point (over):	0
7. Facility Carried:	JOHN PECTOL RD	16. Latitude:	38.33861
9. Location:	00.10 W EVANS-JACOBI	17. Longitude:	-85.962311

STRUCTURE DATA

43A. Structure Type - Main Span:	5 (PRESTRESSED CONCRETE)	44. Structure Type - Approach:	000
43B. Structure Type - Main Span - Const.	05 (ADJACENT BOX BEAM)	45. Number of Spans - Main:	1
107. Deck Structure Type:	2 (CONCRETE PRECAST)	46. Number of Spans - Approach:	0000
108A. Wearing Surface:	6 (BITUMINOUS)	108B. Membrane:	8 (UNKNOWN)
108C. Protection	0 (NONE)		

AGE OF SERVICE

27. Year Built:	1981	106. Reconstructed:	0
42A. Type of Service Over:	1 (HIGHWAY)	42B. Type of Service Under:	5 (WATERWAY)
28A. Lanes on Structure:	2	28B. Lanes Under Structure:	0
29. ADT - Over:	468 VPD	30. ADT Year Over:	2016
114. Future ADT:	690 VPD	115. Future ADT Year:	2036
109. Average Truck Traffic:	3 %Trucks	19. Bypass Detour Length:	4 mi.

GEOMETRIC DATA

48. Maximum Span Length:	39 ft.	49. Structure Length:	42.5 ft.
50A. Sidewalk/Curb Left:	0.0 ft.	50B. Sidewalk/Curb Right:	0.0 ft.
51. Bridge Roadway Width:	27.5 ft.	52. Deck Width (O-O)	28 ft.
32. Approach Roadway Width:	22 ft.	33. Bridge Median:	0 (NO MEDIAN)
34. Skew:	10 Degree(s)	35. Structure Flared:	0 (NO FLARE)
10. Defense Vertical Clearance:	99.99	53. Vertical Clearance/Deck:	99.99 ft.
47. Total Horiz. Clearance:	28 ft.	54A. Min Vert Clear Code:	N
55A. Min Latr. Cl. Right - Code:	N	54B. Underclearance:	0 ft.
55B. Lateral Right:	0 ft.	56. Lateral Left:	0 ft.

STRUCTURE INVENTORY AND APPRAISAL REPORT - 2

NBI Number: 2200065 Facility Carried: JOHN PECTOL RD	Bridge Number: 22-00081 Feature(s) Intersected: BR LITTLE INDIAN CR
---	--

NAVIGATION

38. Navigational Control: 0	40. Navigational Horizontal Clearance: 0 ft.
39. Navigational Vertical Clearance: 0 ft.	116. Vertical Clearance - Lift Bridge: ft.
111. Pier/Abutment Protection:	

CLASSIFICATION

112. NBIS Bridge Length: Y	12. Base Highway Network: 0
104. Highway System - Over: 0 (NOT ON NHS)	13A. LRS Inventory Route:
26. Func. Class - Over: 08 (RURAL - MINOR COLLECTOR)	13B. LRS Inventory Subroute:
100. Defense Highway Des: 0	101. Parallel Structure Des: N
102. Direction of Traffic: 2 (2-WAY TRAFFIC)	103. Temporary Structure Des:
110. Des. Nat. Network: 0	20. Toll: 3 (ON FREE ROAD-NO TOLL)
21. Maint. Responsibility: 02 (COUNTY HIGHWAY AGENCY)	22. Owner: 02 (COUNTY HIGHWAY AGENCY)
37. Historical Significance: 5 (NOT ELIGIBLE)	

CONDITION

58. Deck: GOOD - EXCESSIVE WEARING SURFACE	Material: CONCRETE	Rating: 7
58.01. Wearing Surface: SATIS - CRACKS, NOT FULL WIDTH	Material: BITUMINOUS (5")	Rating: 6
59. Superstructure: VERY GOOD - SPALL IN BOTTOM OF BEAM 4	Material: CONCRETE	Rating: 8
60. Substructure: GOOD - VERTICAL HAIRLINE CRACKS, TOP OF FOOTING EXPOSED ALONG W ABUTMENT AND NE CORNER	Material: CONCRETE	Rating: 7
61. Channel: FAIR - AGGRADATION, FLOW TOWARDS W ABUTMENT, SILT AND VEGETATION BUILDUP IN CHANNEL	Material: NATURAL	Rating: 5
62. Culvert/Ret: N/A	Material: N/A	Rating: N

LOAD RATING AND POSTING

31. Design Load: 5 (HS 20)	63. Oper Rating Method: 3 (LOAD RESISTANCE FACTOR (LRFR))
64. Operating Rating: 69	65. Inv Rating Method: 3 (LOAD AND RESISTANCE FACTOR (LRFR))
66. Inventory Rating: 51	66C. Tons Posted: Tons
66B. Gross Tons or H Rating: 41 Tons	66D. Date Posted/Closed:
41. Open, Posted, or Closed: A (OPEN)	70. Bridge Posting: 5 (EQUAL TO OR ABOVE LEGAL LOADS)

STRUCTURE INVENTORY AND APPRAISAL REPORT - 3

NBI Number: 2200065
Facility Carried: JOHN PECTOL RD

Bridge Number: 22-00081
Feature(s) Intersected: BR LITTLE INDIAN CR

APPRAISAL

67.	Structural:	7
68.	Geometry:	5
69.	Underclearance:	N
71.	Waterway Adequacy:	5
36A.	Traffic Safety Features (Bridge Railings):	1 (MEETS ACCEPTABLE STANDARDS)
36B.	Traffic Safety Features (Transitions):	1 (MEETS ACCEPTABLE STANDARDS)
36C.	Traffic Safety Features (Approach Guardrail):	1 (MEETS ACCEPTABLE STANDARDS)
36D.	Traffic Safety Features (Approach Guardrail Ends):	1 (MEETS ACCEPTABLE STANDARDS)
72.	Roadway Alignment:	8 - TANGENT, BRIDGE ON MED HUMP, INT SE
	Material:	BITUMINOUS
	Comments:	LONG. AND TRANS. CRACKS
113.	Scour Critical Bridges:	5 (STABLE - WITHIN LIMITS)
	Comments:	

PROPOSED IMPROVEMENTS

75A.	Type of Work:	(NO WORK NEEDED.)
75B.	Work Done By:	0
76.	Improvement Length:	0 ft.
94.	Bridge Improvement Costs:	0 x 1000
95.	Roadway Improvement Costs:	0 x 1000
96.	Total Project Cost:	0 x 1000
97.	Year of Cost Estimate:	

RECOMMENDED MAINTENANCE

RECOMMEND CLEARING CHANNEL UPSTREAM AND DOWNSTREAM AND REMOVING EXCESSIVE WEARING SURFACE.

INSPECTION DATA

90.	Date:	3/4/2020	91.	Des. Inspection Frequency:	24 Months
92.	Critical Feature Inspection:	A: N	B: N	C: N	
93.	Date:	A:	B:	C:	
	Unofficial Sufficiency Rating:	96.4			
	Unofficial Structural and Functional Classification:	0 (OK)			



LOOKING WEST FROM ROAD



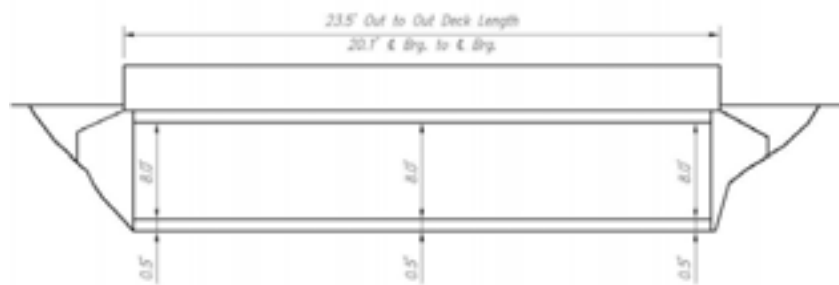
LOOKING EAST FROM ROAD



LOOKING EAST THROUGH CHANNEL



SOUTH COPING CRACKS WITH EFFL.



See Additional Photographs

See on Township Map

FLOYD COUNTY - BRIDGE NO. 22-00085
BRADFORD RD over CORN CREEK

STRUCTURE INVENTORY AND APPRAISAL REPORT - 1

NBI Number: 2200067
 Facility Carried: BRADFORD RD

Bridge Number: 22-00085
 Feature(s) Intersected: CORN CREEK

IDENTIFICATION

1.	State:	185 (INDIANA)	4.	City/Town:	00000 ()
8.	NBI Number:	2200067	98.	Border Bridge:	
5.	Inventory Route On:	1-4-2- 0-0	99.	Border Bridge Number:	
2.	District:	05 (SEYMOUR)	11.	Mile Point (over):	0
3.	County:	022 (FLOYD)	16.	Latitude:	38.36731
6.	Feat Intersected:	CORN CREEK	17.	Longitude:	-86.028534
7.	Facility Carried:	BRADFORD RD			
9.	Location:	00.80 W OF KIESIER RD			

STRUCTURE DATA

43A.	Structure Type - Main Span:	1 (CONCRETE)	44.	Structure Type - Approach:	000
43B.	Structure Type - Main Span - Const.	01 (SLAB)	45.	Number of Spans - Main:	1
107.	Deck Structure Type:	1 (CONCRETE CAST-IN-PLACE)	46.	Number of Spans - Approach:	0000
108A.	Wearing Surface:	6 (BITUMINOUS)	108B.	Membrane:	8 (UNKNOWN)
108C.	Protection	0 (NONE)			

AGE OF SERVICE

27.	Year Built:	1925	106.	Reconstructed:	0
42A.	Type of Service Over:	1 (HIGHWAY)	42B.	Type of Service Under:	5 (WATERWAY)
28A.	Lanes on Structure:	2	28B.	Lanes Under Structure:	0
29.	ADT - Over:	507 VPD	30.	ADT Year Over:	2016
114.	Future ADT:	746 VPD	115.	Future ADT Year:	2036
109.	Average Truck Traffic:	4 %Trucks	19.	Bypass Detour Length:	8 mi.

GEOMETRIC DATA

48.	Maximum Span Length:	20.1 ft.	49.	Structure Length:	23.5 ft.
50A.	Sidewalk/Curb Left:	0.0 ft.	50B.	Sidewalk/Curb Right:	0.0 ft.
51.	Bridge Roadway Width:	19.1 ft.	52.	Deck Width (O-O)	20.8 ft.
32.	Approach Roadway Width:	20 ft.	33.	Bridge Median:	0 (NO MEDIAN)
34.	Skew:	18 Degree(s)	35.	Structure Flared:	0 (NO FLARE)
10.	Defense Vertical Clearance:	99.99	53.	Vertical Clearance/Deck:	99.99 ft.
47.	Total Horiz. Clearance:	19.1 ft.	54A.	Min Vert Clear Code:	N
55A.	Min Latr. Cl. Right - Code:	N	54B.	Underclearance:	0 ft.
55B.	Lateral Right:	0 ft.	56.	Lateral Left:	0 ft.

STRUCTURE INVENTORY AND APPRAISAL REPORT - 2

NBI Number: 2200067
 Facility Carried: BRADFORD RD

Bridge Number: 22-00085
 Feature(s) Intersected: CORN CREEK

NAVIGATION

38. Navigational Control:	0	40. Navigational Horizontal Clearance:	0 ft.
39. Navigational Vertical Clearance:	0 ft.	116. Vertical Clearance - Lift Bridge:	ft.
111. Pier/Abutment Protection:			

CLASSIFICATION

112. NBIS Bridge Length:	Y	12. Base Highway Network:	0
104. Highway System - Over:	0 (NOT ON NHS)	13A. LRS Inventory Route:	
26. Func. Class - Over:	08 (RURAL - MINOR COLLECTOR)	13B. LRS Inventory Subroute:	
100. Defense Highway Des:	0	101. Parallel Structure Des:	N
102. Direction of Traffic:	2 (2-WAY TRAFFIC)	103. Temporary Structure Des:	
110. Des. Nat. Network:	0	20. Toll:	3 (ON FREE ROAD-NO TOLL)
21. Maint. Responsibility:	02 (COUNTY HIGHWAY AGENCY)	22. Owner:	02 (COUNTY HIGHWAY AGENCY)
37. Historical Significance:	5 (NOT ELIGIBLE)		

CONDITION

58. Deck:	Material: CONCRETE	Rating:	6
SATIS - EXCESSIVE WEARING SURFACE			
58.01. Wearing Surface:	Material: BITUMINOUS (6")	Rating:	6
SATIS - NOT FULL WIDTH, DIRT IN GUTTERS			
59. Superstructure:	Material: CONCRETE	Rating:	6
SATIS - HAIRLINE CRACKS AND EFFLORESCENCE			
60. Substructure:	Material: CONCRETE	Rating:	4
POOR - WIDE VERTICAL CRACK AND 3.5" ROTATION AT TOP OF NORTHEAST WING			
61. Channel:	Material: NATURAL	Rating:	6
SATIS - BRUSHY AROUND BRIDGE			
62. Culvert/Ret:	Material: N/A	Rating:	N
N/A			

LOAD RATING AND POSTING

31. Design Load:	0 (UNKNOWN)	63. Oper Rating Method:	0 (FIELD EVAL AND ENG JUDGEMENT)
64. Operating Rating:	36	65. Inv Rating Method:	0 (FIELD EVAL AND ENG JUDGEMENT)
66. Inventory Rating:	36	66C. Tons Posted:	Tons
66B. Gross Tons or H Rating:	20 Tons	66D. Date Posted/Closed:	
41. Open, Posted, or Closed:	A (OPEN)	70. Bridge Posting:	5 (EQUAL TO OR ABOVE LEGAL LOADS)

STRUCTURE INVENTORY AND APPRAISAL REPORT - 3

NBI Number: 2200067
Facility Carried: BRADFORD RD

Bridge Number: 22-00085
Feature(s) Intersected: CORN CREEK

APPRAISAL

67.	Structural:	4
68.	Geometry:	2
69.	Underclearance:	N
71.	Waterway Adequacy:	5
36A.	Traffic Safety Features (Bridge Railings):	0 (DOES NOT MEET ACCEPTABLE STANDARDS/SAFETY FEATURE IS REQUIRED)
36B.	Traffic Safety Features (Transitions):	0 (DOES NOT MEET ACCEPTABLE STANDARDS/SAFETY FEATURE IS REQUIRED)
36C.	Traffic Safety Features (Approach Guardrail):	0 (DOES NOT MEET ACCEPTABLE STANDARDS/SAFETY FEATURE IS REQUIRED)
36D.	Traffic Safety Features (Approach Guardrail Ends):	0 (DOES NOT MEET ACCEPTABLE STANDARDS/SAFETY FEATURE IS REQUIRED)
72.	Roadway Alignment:	6 - NEAR TANGENT, BR ON SLT HUMP, HILL E
	Material:	BITUMINOUS
	Comments:	LONGITUDINAL CRACKS
113.	Scour Critical Bridges:	5 (STABLE - WITHIN LIMITS)
	Comments:	

PROPOSED IMPROVEMENTS

75A.	Type of Work:	31 (REPLACE BRIDGE DUE TO DETERIORATION OF SUBSTRUCTURE.)
75B.	Work Done By:	1 (CONTRACT)
76.	Improvement Length:	45 ft.
94.	Bridge Improvement Costs:	209 x 1000
95.	Roadway Improvement Costs:	184 x 1000
96.	Total Project Cost:	496 x 1000
97.	Year of Cost Estimate:	2020

RECOMMENDED MAINTENANCE

UNTIL REPLACEMENT, RECOMMEND INSTALLING CURRENT STANDARD BRIDGE AND APPROACH RAILING WITH END TREATMENT AND ALL BRIDGE END MARKERS, REPLACING NARROW SIGN AT WEST END, AND REPAIRING NORTHEAST WINGWALL.

INSPECTION DATA

90.	Date:	3/2/2020	91.	Des. Inspection Frequency:	12 Months
92.	Critical Feature Inspection:	A: N	B: N	C: N	
93.	Date:	A:	B:	C:	

Unofficial Sufficiency Rating: 49.3
Unofficial Structural and Functional Classification: 1 (STRUCTURALLY DEFICIENT)



LOOKING SOUTH FROM ROAD



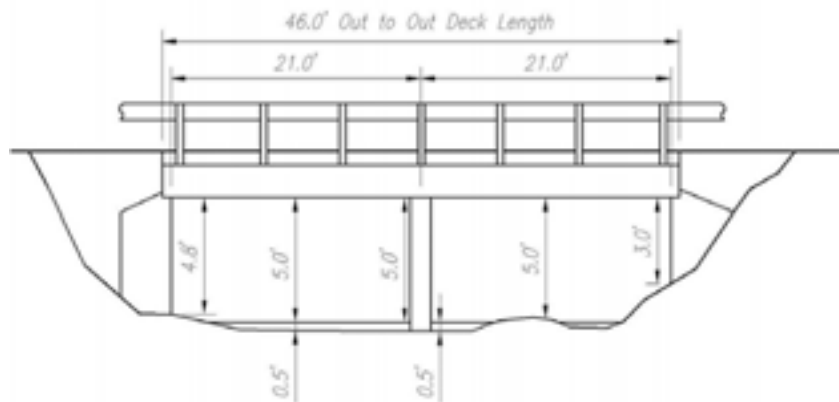
LOOKING NORTH FROM ROAD



LOOKING WEST FROM CHANNEL



LOOKING NORTH SPAN SPALL



See Additional Photographs

See on Township Map

FLOYD COUNTY - BRIDGE NO. 22-00087
MARY NAVILE RD over BANNAMON CREEK

STRUCTURE INVENTORY AND APPRAISAL REPORT - 1

NBI Number: 2200068 Facility Carried: MARY NAVILE RD	Bridge Number: 22-00087 Feature(s) Intersected: BANNAMON CREEK
---	---

IDENTIFICATION

1. State: 185 (INDIANA) 8. NBI Number: 2200068 5. Inventory Route On: 1-4-2- 0-0 2. District: 05 (SEYMOUR) 3. County: 022 (FLOYD) 6. Feat Intersected: BANNAMON CREEK 7. Facility Carried: MARY NAVILE RD 9. Location: 00.00 INT OF CHAPEL HL RD	4. City/Town: 00000 () 98. Border Bridge: 99. Border Bridge Number: 11. Mile Point (over): 0 16. Latitude: 38.38971 17. Longitude: -85.924217
---	--

STRUCTURE DATA

43A. Structure Type - Main Span: 2 (CONTINUOUS CONCRETE) 43B. Structure Type - Main Span - Const. 01 (SLAB) 107. Deck Structure Type: 1 (CONCRETE CAST-IN-PLACE) 108A. Wearing Surface: 6 (BITUMINOUS) 108C. Protection 0 (NONE)	44. Structure Type - Approach: 000 45. Number of Spans - Main: 2 46. Number of Spans - Approach: 0000 108B. Membrane: 8 (UNKNOWN)
--	--

AGE OF SERVICE

27. Year Built: 1931 42A. Type of Service Over: 1 (HIGHWAY) 28A. Lanes on Structure: 1 29. ADT - Over: 244 VPD 114. Future ADT: 359 VPD 109. Average Truck Traffic: 3 %Trucks	106. Reconstructed: 0 42B. Type of Service Under: 5 (WATERWAY) 28B. Lanes Under Structure: 0 30. ADT Year Over: 2016 115. Future ADT Year: 2036 19. Bypass Detour Length: 4 mi.
--	--

GEOMETRIC DATA

48. Maximum Span Length: 21 ft. 50A. Sidewalk/Curb Left: 0.0 ft. 51. Bridge Roadway Width: 16.1 ft. 32. Approach Roadway Width: 15 ft. 34. Skew: 45 Degree(s) 10. Defense Vertical Clearance: 99.99 47. Total Horiz. Clearance: 16.1 ft. 55A. Min Latr. Cl. Right - Code: N 55B. Lateral Right: 0 ft.	49. Structure Length: 46 ft. 50B. Sidewalk/Curb Right: 0.0 ft. 52. Deck Width (O-O) 17.9 ft. 33. Bridge Median: 0 (NO MEDIAN) 35. Structure Flared: 0 (NO FLARE) 53. Vertical Clearance/Deck: 99.99 ft. 54A. Min Vert Clear Code: N 54B. Underclearance: 0 ft. 56. Lateral Left: 0 ft.
---	--

STRUCTURE INVENTORY AND APPRAISAL REPORT - 2

NBI Number: 2200068
 Facility Carried: MARY NAVILE RD

Bridge Number: 22-00087
 Feature(s) Intersected: BANNAMON CREEK

NAVIGATION

38. Navigational Control: 0	40. Navigational Horizontal Clearance: 0 ft.
39. Navigational Vertical Clearance: 0 ft.	116. Vertical Clearance - Lift Bridge: ft.
111. Pier/Abutment Protection:	

CLASSIFICATION

112. NBIS Bridge Length: Y	12. Base Highway Network: 0
104. Highway System - Over: 0 (NOT ON NHS)	13A. LRS Inventory Route:
26. Func. Class - Over: 09 (RURAL - LOCAL)	13B. LRS Inventory Subroute:
100. Defense Highway Des: 0	101. Parallel Structure Des: N
102. Direction of Traffic: 3 (ONE LANE BRIDGE FOR 2-WAY TRAFFIC)	103. Temporary Structure Des:
110. Des. Nat. Network: 0	20. Toll: 3 (ON FREE ROAD-NO TOLL)
21. Maint. Responsibility: 02 (COUNTY HIGHWAY AGENCY)	22. Owner: 02 (COUNTY HIGHWAY AGENCY)
37. Historical Significance: Y BE ELIGIBLE FOR NATIONAL REGISTER)	

CONDITION

58. Deck: FAIR - LG SPALLS BOTTOM & COPINGS	Material: CONCRETE SLAB	Rating: 5
58.01. Wearing Surface: SATIS - DIRT ON EDGES	Material: BITUMINOUS (3")	Rating: 6
59. Superstructure: FAIR - LARGE SPALLS, EXPOSED REBAR, REBAR SECTION LOSS	Material: CONCRETE SLAB	Rating: 5
60. Substructure: SATIS - CRACKS, SEVERE SCALING WINGS, SPALLS W/EXP. REIN. AT WINGS	Material: CONCRETE	Rating: 6
61. Channel: FAIR - AGGRADATION, BRUSHY BANKS, DEBRIS AT UPSTREAM NOSE, LOGJAM ON PIER	Material: ROCK BOTTOM NORTH, GRAVEL SOUTH	Rating: 5
62. Culvert/Ret: N/A	Material: N/A	Rating: N

LOAD RATING AND POSTING

31. Design Load: 0 (UNKNOWN)	63. Oper Rating Method: 0 (FIELD EVAL AND ENG JUDGEMENT)
64. Operating Rating: 36	65. Inv Rating Method: 0 (FIELD EVAL AND ENG JUDGEMENT)
66. Inventory Rating: 36	66C. Tons Posted: Tons
66B. Gross Tons or H Rating: 20 Tons	66D. Date Posted/Closed:
41. Open, Posted, or Closed: A (OPEN)	70. Bridge Posting: 5 (EQUAL TO OR ABOVE LEGAL LOADS)

STRUCTURE INVENTORY AND APPRAISAL REPORT - 3

NBI Number: 2200068
Facility Carried: MARY NAVILE RD

Bridge Number: 22-00087
Feature(s) Intersected: BANNAMON CREEK

APPRAISAL

67.	Structural:	5
68.	Geometry:	2
69.	Underclearance:	N
71.	Waterway Adequacy:	4
36A.	Traffic Safety Features (Bridge Railings):	0 (DOES NOT MEET ACCEPTABLE STANDARDS/SAFETY FEATURE IS REQUIRED)
36B.	Traffic Safety Features (Transitions):	0 (DOES NOT MEET ACCEPTABLE STANDARDS/SAFETY FEATURE IS REQUIRED)
36C.	Traffic Safety Features (Approach Guardrail):	0 (DOES NOT MEET ACCEPTABLE STANDARDS/SAFETY FEATURE IS REQUIRED)
36D.	Traffic Safety Features (Approach Guardrail Ends):	0 (DOES NOT MEET ACCEPTABLE STANDARDS/SAFETY FEATURE IS REQUIRED)
72.	Roadway Alignment:	6 - LEVEL, INT. N. END BR., CURVE EACH WAY
	Material:	BITUMINOUS
	Comments:	LONG. AND TRANS. CRACKS
113.	Scour Critical Bridges:	8 (STABLE - EXCELLENT CONDITION)
	Comments:	

PROPOSED IMPROVEMENTS

75A.	Type of Work:	31 (REPLACE BRIDGE DUE TO DETERIORATION OF SUPERSTRUCTURE.)
75B.	Work Done By:	1 (CONTRACT)
76.	Improvement Length:	68 ft.
94.	Bridge Improvement Costs:	281 x 1000
95.	Roadway Improvement Costs:	184 x 1000
96.	Total Project Cost:	587 x 1000
97.	Year of Cost Estimate:	2020

RECOMMENDED MAINTENANCE

RECOMMEND INSTALLING CURRENT STD. BRIDGE & APPR. RAIL W/END TREATMENT AND ALL B.E.M.'S AND FILL EROSION IN NW CORNER.

INSPECTION DATA

90.	Date:	3/4/2020	91.	Des. Inspection Frequency:	24 Months
92.	Critical Feature Inspection:	A: N	B: N	C: N	
93.	Date:	A:	B:	C:	

Unofficial Sufficiency Rating: 71.4

Unofficial Structural and Functional Classification: 2 (FUNCTIONALLY OBSOLETE)



LOOKING SOUTH FROM ROAD



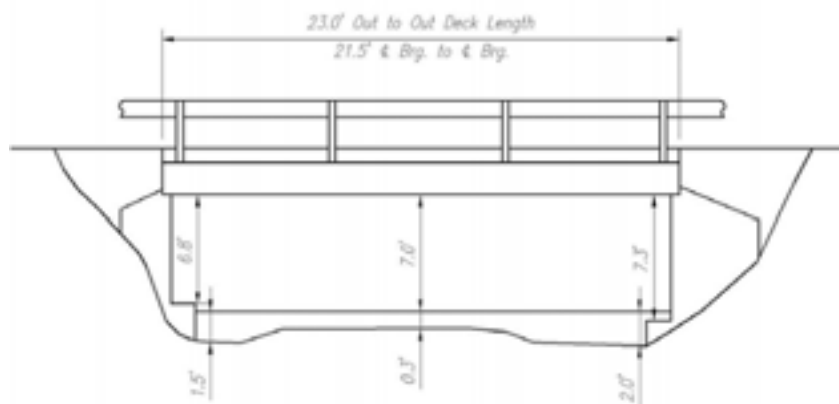
LOOKING NORTH FROM ROAD



LOOKING EAST THROUGH CHANNEL



LOOKING NW AT SHOULDER EROSION



See Additional Photographs

See on Township Map

FLOYD COUNTY - BRIDGE NO. 22-00088
BORDEN RD over MILLER BR OF JERSEY PK B

STRUCTURE INVENTORY AND APPRAISAL REPORT - 1

NBI Number: 2200069
 Facility Carried: BORDEN RD

Bridge Number: 22-00088
 Feature(s) Intersected: MILLER BR OF JERSEY PK B

IDENTIFICATION

1.	State:	185 (INDIANA)	4.	City/Town:	00000 ()
8.	NBI Number:	2200069			
5.	Inventory Route On:	1-4-1- 0-0	98.	Border Bridge:	
2.	District:	05 (SEYMOUR)	99.	Border Bridge Number:	
3.	County:	022 (FLOYD)			
6.	Feat Intersected:	MILLER BR OF JERSEY PK B	11.	Mile Point (over):	0
7.	Facility Carried:	BORDEN RD	16.	Latitude:	38.39629
9.	Location:	00.10 S OF CHAPEL HILL	17.	Longitude:	-85.966698

STRUCTURE DATA

43A.	Structure Type - Main Span:	1 (CONCRETE)	44.	Structure Type - Approach:	000
43B.	Structure Type - Main Span - Const.	01 (SLAB)	45.	Number of Spans - Main:	1
107.	Deck Structure Type:	1 (CONCRETE CAST-IN-PLACE)	46.	Number of Spans - Approach:	0000
108A.	Wearing Surface:	6 (BITUMINOUS)	108B.	Membrane:	8 (UNKNOWN)
108C.	Protection	0 (NONE)			

AGE OF SERVICE

27.	Year Built:	1970	106.	Reconstructed:	0
42A.	Type of Service Over:	1 (HIGHWAY)	42B.	Type of Service Under:	5 (WATERWAY)
28A.	Lanes on Structure:	2	28B.	Lanes Under Structure:	0
29.	ADT - Over:	518 VPD	30.	ADT Year Over:	2016
114.	Future ADT:	763 VPD	115.	Future ADT Year:	2036
109.	Average Truck Traffic:	5 %Trucks	19.	Bypass Detour Length:	5 mi.

GEOMETRIC DATA

48.	Maximum Span Length:	21.5 ft.	49.	Structure Length:	23 ft.
50A.	Sidewalk/Curb Left:	0.0 ft.	50B.	Sidewalk/Curb Right:	0.0 ft.
51.	Bridge Roadway Width:	24.7 ft.	52.	Deck Width (O-O)	25.2 ft.
32.	Approach Roadway Width:	18 ft.	33.	Bridge Median:	0 (NO MEDIAN)
34.	Skew:	20 Degree(s)	35.	Structure Flared:	0 (NO FLARE)
10.	Defense Vertical Clearance:	99.99	53.	Vertical Clearance/Deck:	99.99 ft.
47.	Total Horiz. Clearance:	24.7 ft.	54A.	Min Vert Clear Code:	N
55A.	Min Latr. Cl. Right - Code:	N	54B.	Underclearance:	0 ft.
55B.	Lateral Right:	0 ft.	56.	Lateral Left:	0 ft.

STRUCTURE INVENTORY AND APPRAISAL REPORT - 2

NBI Number: 2200069
 Facility Carried: BORDEN RD

Bridge Number: 22-00088
 Feature(s) Intersected: MILLER BR OF JERSEY PK B

NAVIGATION

38. Navigational Control:	0	40. Navigational Horizontal Clearance:	0 ft.
39. Navigational Vertical Clearance:	0 ft.	116. Vertical Clearance - Lift Bridge:	ft.
111. Pier/Abutment Protection:			

CLASSIFICATION

112. NBIS Bridge Length:	Y	12. Base Highway Network:	0
104. Highway System - Over:	0 (NOT ON NHS)	13A. LRS Inventory Route:	
26. Func. Class - Over:	07 (RURAL - MAJOR COLLECTOR)	13B. LRS Inventory Subroute:	
100. Defense Highway Des:	0	101. Parallel Structure Des:	N
102. Direction of Traffic:	2 (2-WAY TRAFFIC)	103. Temporary Structure Des:	
110. Des. Nat. Network:	0	20. Toll:	3 (ON FREE ROAD-NO TOLL)
21. Maint. Responsibility:	02 (COUNTY HIGHWAY AGENCY)	22. Owner:	02 (COUNTY HIGHWAY AGENCY)
37. Historical Significance:	5 (NOT ELIGIBLE)		

CONDITION

58. Deck:	Material: CONCRETE SLAB	Rating:	6
SATIS - LOW BRIDGE RAILING			
58.01. Wearing Surface:	Material: BITUMINOUS (7")	Rating:	6
SATIS - CRACKED			
59. Superstructure:	Material: CONCRETE SLAB	Rating:	6
SATIS - HONEYCOMBED CONCRETE AREAS			
60. Substructure:	Material: CONCRETE	Rating:	5
FAIR - CRACKS, LEACHING, TOEWALLS EXPOSED			
61. Channel:	Material: LARGE RIPRAP	Rating:	6
SATIS - DEEP ALONG SOUTH ABUTMENT, FLOW TOWARDS NW AND SE CORNERS			
62. Culvert/Ret:	Material: N/A	Rating:	N
N/A			

LOAD RATING AND POSTING

31. Design Load:	0 (UNKNOWN)	63. Oper Rating Method:	0 (FIELD EVAL AND ENG JUDGEMENT)
64. Operating Rating:	36	65. Inv Rating Method:	0 (FIELD EVAL AND ENG JUDGEMENT)
66. Inventory Rating:	36	66C. Tons Posted:	Tons
66B. Gross Tons or H Rating:	20 Tons	66D. Date Posted/Closed:	
41. Open, Posted, or Closed:	A (OPEN)	70. Bridge Posting:	5 (EQUAL TO OR ABOVE LEGAL LOADS)

STRUCTURE INVENTORY AND APPRAISAL REPORT - 3

NBI Number: 2200069
Facility Carried: BORDEN RD

Bridge Number: 22-00088
Feature(s) Intersected: MILLER BR OF JERSEY PK B

APPRAISAL

67.	Structural:	5
68.	Geometry:	4
69.	Underclearance:	N
71.	Waterway Adequacy:	6
36A.	Traffic Safety Features (Bridge Railings):	0 (DOES NOT MEET ACCEPTABLE STANDARDS/SAFETY FEATURE IS REQUIRED)
36B.	Traffic Safety Features (Transitions):	0 (DOES NOT MEET ACCEPTABLE STANDARDS/SAFETY FEATURE IS REQUIRED)
36C.	Traffic Safety Features (Approach Guardrail):	0 (DOES NOT MEET ACCEPTABLE STANDARDS/SAFETY FEATURE IS REQUIRED)
36D.	Traffic Safety Features (Approach Guardrail Ends):	0 (DOES NOT MEET ACCEPTABLE STANDARDS/SAFETY FEATURE IS REQUIRED)
72.	Roadway Alignment:	8 - TANGENT, NEARLY LEVEL
	Material:	BITUMINOUS
	Comments:	CRACKS, UNEVEN
113.	Scour Critical Bridges:	5 (STABLE - WITHIN LIMITS)
	Comments:	

PROPOSED IMPROVEMENTS

75A.	Type of Work:	(NO WORK NEEDED.)
75B.	Work Done By:	0
76.	Improvement Length:	0 ft.
94.	Bridge Improvement Costs:	0 x 1000
95.	Roadway Improvement Costs:	0 x 1000
96.	Total Project Cost:	0 x 1000
97.	Year of Cost Estimate:	

RECOMMENDED MAINTENANCE

RECOMMEND INSTALLING CURRENT STD. BRIDGE & APPR. RAIL W/END TREATMENT AND SE B.E.M.'S AND REPAIR NW SHOULDER EROSION.

INSPECTION DATA

90.	Date:	3/5/2020	91.	Des. Inspection Frequency:	24 Months
92.	Critical Feature Inspection:	A: N	B: N	C: N	
93.	Date:	A:	B:	C:	

Unofficial Sufficiency Rating: 76.2
Unofficial Structural and Functional Classification: 0 (OK)



LOOKING WEST FROM ROAD



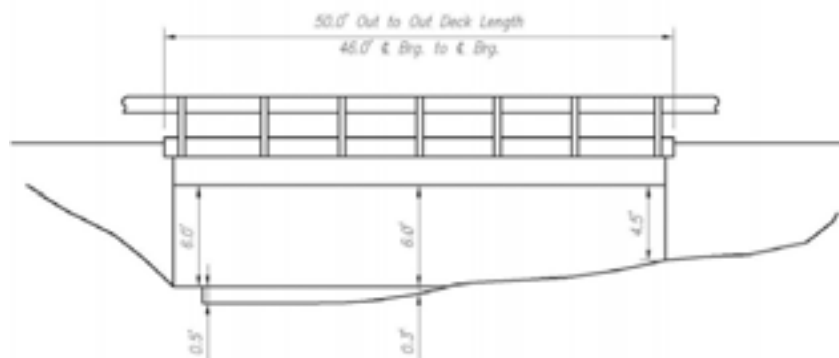
LOOKING EAST FROM ROAD



LOOKING SOUTH THROUGH CHANNEL



SOUTHWEST BEAM SPALL



See Additional Photographs

See on Township Map

FLOYD COUNTY - BRIDGE NO. 22-00089
 CHAPEL HILL RD over CAMPBELL BR JERSEY PK CR

STRUCTURE INVENTORY AND APPRAISAL REPORT - 1

NBI Number: 2200070
 Facility Carried: CHAPEL HILL RD

Bridge Number: 22-00089
 Feature(s) Intersected: CAMPBELL BR JERSEY PK CR

IDENTIFICATION

<table border="0" style="width: 100%;"> <tr><td style="width: 10%;">1.</td><td style="width: 30%;">State:</td><td style="width: 30%;">185 (INDIANA)</td></tr> <tr><td>8.</td><td>NBI Number:</td><td>2200070</td></tr> <tr><td>5.</td><td>Inventory Route On:</td><td>1-4-2- 0-0</td></tr> <tr><td>2.</td><td>District:</td><td>05 (SEYMOUR)</td></tr> <tr><td>3.</td><td>County:</td><td>022 (FLOYD)</td></tr> <tr><td>6.</td><td>Feat Intersected:</td><td>CAMPBELL BR JERSEY PK CR</td></tr> <tr><td>7.</td><td>Facility Carried:</td><td>CHAPEL HILL RD</td></tr> <tr><td>9.</td><td>Location:</td><td>00.60 E OF BORDEN</td></tr> </table>	1.	State:	185 (INDIANA)	8.	NBI Number:	2200070	5.	Inventory Route On:	1-4-2- 0-0	2.	District:	05 (SEYMOUR)	3.	County:	022 (FLOYD)	6.	Feat Intersected:	CAMPBELL BR JERSEY PK CR	7.	Facility Carried:	CHAPEL HILL RD	9.	Location:	00.60 E OF BORDEN	<table border="0" style="width: 100%;"> <tr><td style="width: 10%;">4.</td><td style="width: 30%;">City/Town:</td><td style="width: 30%;">00000 ()</td></tr> <tr><td>98.</td><td>Border Bridge:</td><td></td></tr> <tr><td>99.</td><td>Border Bridge Number:</td><td></td></tr> <tr><td>11.</td><td>Mile Point (over):</td><td>0</td></tr> <tr><td>16.</td><td>Latitude:</td><td>38.39628</td></tr> <tr><td>17.</td><td>Longitude:</td><td>-85.955421</td></tr> </table>	4.	City/Town:	00000 ()	98.	Border Bridge:		99.	Border Bridge Number:		11.	Mile Point (over):	0	16.	Latitude:	38.39628	17.	Longitude:	-85.955421
1.	State:	185 (INDIANA)																																									
8.	NBI Number:	2200070																																									
5.	Inventory Route On:	1-4-2- 0-0																																									
2.	District:	05 (SEYMOUR)																																									
3.	County:	022 (FLOYD)																																									
6.	Feat Intersected:	CAMPBELL BR JERSEY PK CR																																									
7.	Facility Carried:	CHAPEL HILL RD																																									
9.	Location:	00.60 E OF BORDEN																																									
4.	City/Town:	00000 ()																																									
98.	Border Bridge:																																										
99.	Border Bridge Number:																																										
11.	Mile Point (over):	0																																									
16.	Latitude:	38.39628																																									
17.	Longitude:	-85.955421																																									

STRUCTURE DATA

<table border="0" style="width: 100%;"> <tr><td style="width: 10%;">43A.</td><td style="width: 30%;">Structure Type - Main Span:</td><td style="width: 30%;">5 (PRESTRESSED CONCRETE)</td></tr> <tr><td>43B.</td><td>Structure Type - Main Span - Const.</td><td>05 (ADJACENT BOX BEAM)</td></tr> <tr><td>107.</td><td>Deck Structure Type:</td><td>2 (CONCRETE PRECAST)</td></tr> <tr><td>108A.</td><td>Wearing Surface:</td><td>1 (MONOLITHIC CONCRETE)</td></tr> <tr><td>108C.</td><td>Protection</td><td>8 (UNKNOWN)</td></tr> </table>	43A.	Structure Type - Main Span:	5 (PRESTRESSED CONCRETE)	43B.	Structure Type - Main Span - Const.	05 (ADJACENT BOX BEAM)	107.	Deck Structure Type:	2 (CONCRETE PRECAST)	108A.	Wearing Surface:	1 (MONOLITHIC CONCRETE)	108C.	Protection	8 (UNKNOWN)	<table border="0" style="width: 100%;"> <tr><td style="width: 10%;">44.</td><td style="width: 30%;">Structure Type - Approach:</td><td style="width: 30%;">000</td></tr> <tr><td>45.</td><td>Number of Spans - Main:</td><td>1</td></tr> <tr><td>46.</td><td>Number of Spans - Approach:</td><td>0000</td></tr> <tr><td>108B.</td><td>Membrane:</td><td>8 (UNKNOWN)</td></tr> </table>	44.	Structure Type - Approach:	000	45.	Number of Spans - Main:	1	46.	Number of Spans - Approach:	0000	108B.	Membrane:	8 (UNKNOWN)
43A.	Structure Type - Main Span:	5 (PRESTRESSED CONCRETE)																										
43B.	Structure Type - Main Span - Const.	05 (ADJACENT BOX BEAM)																										
107.	Deck Structure Type:	2 (CONCRETE PRECAST)																										
108A.	Wearing Surface:	1 (MONOLITHIC CONCRETE)																										
108C.	Protection	8 (UNKNOWN)																										
44.	Structure Type - Approach:	000																										
45.	Number of Spans - Main:	1																										
46.	Number of Spans - Approach:	0000																										
108B.	Membrane:	8 (UNKNOWN)																										

AGE OF SERVICE

<table border="0" style="width: 100%;"> <tr><td style="width: 10%;">27.</td><td style="width: 30%;">Year Built:</td><td style="width: 30%;">1995</td></tr> <tr><td>42A.</td><td>Type of Service Over:</td><td>1 (HIGHWAY)</td></tr> <tr><td>28A.</td><td>Lanes on Structure:</td><td>2</td></tr> <tr><td>29.</td><td>ADT - Over:</td><td>279 VPD</td></tr> <tr><td>114.</td><td>Future ADT:</td><td>410 VPD</td></tr> <tr><td>109.</td><td>Average Truck Traffic:</td><td>3 %Trucks</td></tr> </table>	27.	Year Built:	1995	42A.	Type of Service Over:	1 (HIGHWAY)	28A.	Lanes on Structure:	2	29.	ADT - Over:	279 VPD	114.	Future ADT:	410 VPD	109.	Average Truck Traffic:	3 %Trucks	<table border="0" style="width: 100%;"> <tr><td style="width: 10%;">106.</td><td style="width: 30%;">Reconstructed:</td><td style="width: 30%;">0</td></tr> <tr><td>42B.</td><td>Type of Service Under:</td><td>5 (WATERWAY)</td></tr> <tr><td>28B.</td><td>Lanes Under Structure:</td><td>0</td></tr> <tr><td>30.</td><td>ADT Year Over:</td><td>2016</td></tr> <tr><td>115.</td><td>Future ADT Year:</td><td>2036</td></tr> <tr><td>19.</td><td>Bypass Detour Length:</td><td>4 mi.</td></tr> </table>	106.	Reconstructed:	0	42B.	Type of Service Under:	5 (WATERWAY)	28B.	Lanes Under Structure:	0	30.	ADT Year Over:	2016	115.	Future ADT Year:	2036	19.	Bypass Detour Length:	4 mi.
27.	Year Built:	1995																																			
42A.	Type of Service Over:	1 (HIGHWAY)																																			
28A.	Lanes on Structure:	2																																			
29.	ADT - Over:	279 VPD																																			
114.	Future ADT:	410 VPD																																			
109.	Average Truck Traffic:	3 %Trucks																																			
106.	Reconstructed:	0																																			
42B.	Type of Service Under:	5 (WATERWAY)																																			
28B.	Lanes Under Structure:	0																																			
30.	ADT Year Over:	2016																																			
115.	Future ADT Year:	2036																																			
19.	Bypass Detour Length:	4 mi.																																			

GEOMETRIC DATA

<table border="0" style="width: 100%;"> <tr><td style="width: 10%;">48.</td><td style="width: 30%;">Maximum Span Length:</td><td style="width: 30%;">46 ft.</td></tr> <tr><td>50A.</td><td>Sidewalk/Curb Left:</td><td>0.0 ft.</td></tr> <tr><td>51.</td><td>Bridge Roadway Width:</td><td>27.9 ft.</td></tr> <tr><td>32.</td><td>Approach Roadway Width:</td><td>22 ft.</td></tr> <tr><td>34.</td><td>Skew:</td><td>30 Degree(s)</td></tr> <tr><td>10.</td><td>Defense Vertical Clearance:</td><td>99.99</td></tr> <tr><td>47.</td><td>Total Horiz. Clearance:</td><td>27.9 ft.</td></tr> <tr><td>55A.</td><td>Min Latr. Cl. Right - Code:</td><td>N</td></tr> <tr><td>55B.</td><td>Lateral Right:</td><td>0 ft.</td></tr> </table>	48.	Maximum Span Length:	46 ft.	50A.	Sidewalk/Curb Left:	0.0 ft.	51.	Bridge Roadway Width:	27.9 ft.	32.	Approach Roadway Width:	22 ft.	34.	Skew:	30 Degree(s)	10.	Defense Vertical Clearance:	99.99	47.	Total Horiz. Clearance:	27.9 ft.	55A.	Min Latr. Cl. Right - Code:	N	55B.	Lateral Right:	0 ft.	<table border="0" style="width: 100%;"> <tr><td style="width: 10%;">49.</td><td style="width: 30%;">Structure Length:</td><td style="width: 30%;">50 ft.</td></tr> <tr><td>50B.</td><td>Sidewalk/Curb Right:</td><td>0.0 ft.</td></tr> <tr><td>52.</td><td>Deck Width (O-O)</td><td>28.2 ft.</td></tr> <tr><td>33.</td><td>Bridge Median:</td><td>0 (NO MEDIAN)</td></tr> <tr><td>35.</td><td>Structure Flared:</td><td>0 (NO FLARE)</td></tr> <tr><td>53.</td><td>Vertical Clearance/Deck:</td><td>99.99 ft.</td></tr> <tr><td>54A.</td><td>Min Vert Clear Code:</td><td>N</td></tr> <tr><td>54B.</td><td>Underclearance:</td><td>0 ft.</td></tr> <tr><td>56.</td><td>Lateral Left:</td><td>0 ft.</td></tr> </table>	49.	Structure Length:	50 ft.	50B.	Sidewalk/Curb Right:	0.0 ft.	52.	Deck Width (O-O)	28.2 ft.	33.	Bridge Median:	0 (NO MEDIAN)	35.	Structure Flared:	0 (NO FLARE)	53.	Vertical Clearance/Deck:	99.99 ft.	54A.	Min Vert Clear Code:	N	54B.	Underclearance:	0 ft.	56.	Lateral Left:	0 ft.
48.	Maximum Span Length:	46 ft.																																																					
50A.	Sidewalk/Curb Left:	0.0 ft.																																																					
51.	Bridge Roadway Width:	27.9 ft.																																																					
32.	Approach Roadway Width:	22 ft.																																																					
34.	Skew:	30 Degree(s)																																																					
10.	Defense Vertical Clearance:	99.99																																																					
47.	Total Horiz. Clearance:	27.9 ft.																																																					
55A.	Min Latr. Cl. Right - Code:	N																																																					
55B.	Lateral Right:	0 ft.																																																					
49.	Structure Length:	50 ft.																																																					
50B.	Sidewalk/Curb Right:	0.0 ft.																																																					
52.	Deck Width (O-O)	28.2 ft.																																																					
33.	Bridge Median:	0 (NO MEDIAN)																																																					
35.	Structure Flared:	0 (NO FLARE)																																																					
53.	Vertical Clearance/Deck:	99.99 ft.																																																					
54A.	Min Vert Clear Code:	N																																																					
54B.	Underclearance:	0 ft.																																																					
56.	Lateral Left:	0 ft.																																																					

STRUCTURE INVENTORY AND APPRAISAL REPORT - 2

NBI Number: 2200070 Facility Carried: CHAPEL HILL RD	Bridge Number: 22-00089 Feature(s) Intersected: CAMPBELL BR JERSEY PK CR
---	---

NAVIGATION

38. Navigational Control: 0	40. Navigational Horizontal Clearance: 0 ft.
39. Navigational Vertical Clearance: 0 ft.	116. Vertical Clearance - Lift Bridge: ft.
111. Pier/Abutment Protection:	

CLASSIFICATION

112. NBIS Bridge Length: Y	12. Base Highway Network: 0
104. Highway System - Over: 0 (NOT ON NHS)	13A. LRS Inventory Route:
26. Func. Class - Over: 09 (RURAL - LOCAL)	13B. LRS Inventory Subroute:
100. Defense Highway Des: 0	101. Parallel Structure Des: N
102. Direction of Traffic: 2 (2-WAY TRAFFIC)	103. Temporary Structure Des:
110. Des. Nat. Network: 0	20. Toll: 3 (ON FREE ROAD-NO TOLL)
21. Maint. Responsibility: 02 (COUNTY HIGHWAY AGENCY)	22. Owner: 02 (COUNTY HIGHWAY AGENCY)
37. Historical Significance: 5 (NOT ELIGIBLE)	

CONDITION

58. Deck: GOOD - FEW POPOUTS, HAIRLINE CRACKS	Material: CONCRETE	Rating: 7
58.01. Wearing Surface: GOOD - POPOUTS	Material: CONCRETE	Rating: 7
59. Superstructure: VERY GOOD - SM SPALL BOTTOM EDGE BEAM	Material: CONCRETE BOX BEAM	Rating: 8
60. Substructure: GOOD - HAIRLINE CRACKS, LEACHING	Material: CONCRETE	Rating: 7
61. Channel: SATIS - EROSION EAST BANK, BRUSHY BANKS, FLOW TOWARDS EAST ABUTMENT	Material: NATURAL ROCK BOTTOM	Rating: 6
62. Culvert/Ret: N/A	Material: N/A	Rating: N

LOAD RATING AND POSTING

31. Design Load: 5 (HS 20)	63. Oper Rating Method: 3 (LOAD RESISTANCE FACTOR (LRFR))
64. Operating Rating: 57	65. Inv Rating Method: 3 (LOAD AND RESISTANCE FACTOR (LRFR))
66. Inventory Rating: 46	66C. Tons Posted: Tons
66B. Gross Tons or H Rating: 40 Tons	66D. Date Posted/Closed:
41. Open, Posted, or Closed: A (OPEN)	70. Bridge Posting: 5 (EQUAL TO OR ABOVE LEGAL LOADS)

STRUCTURE INVENTORY AND APPRAISAL REPORT - 3

NBI Number: 2200070
Facility Carried: CHAPEL HILL RD

Bridge Number: 22-00089
Feature(s) Intersected: CAMPBELL BR JERSEY PK CR

APPRAISAL

67.	Structural:	7
68.	Geometry:	6
69.	Underclearance:	N
71.	Waterway Adequacy:	7
36A.	Traffic Safety Features (Bridge Railings):	1 (MEETS ACCEPTABLE STANDARDS)
36B.	Traffic Safety Features (Transitions):	0 (DOES NOT MEET ACCEPTABLE STANDARDS/SAFETY FEATURE IS REQUIRED)
36C.	Traffic Safety Features (Approach Guardrail):	0 (DOES NOT MEET ACCEPTABLE STANDARDS/SAFETY FEATURE IS REQUIRED)
36D.	Traffic Safety Features (Approach Guardrail Ends):	1 (MEETS ACCEPTABLE STANDARDS)
72.	Roadway Alignment:	8 - TANGENT, SLIGHT UPGRADE TO HILL EAST
	Material:	BITUMINOUS
	Comments:	SETTLED AT BRIDGE ENDS
113.	Scour Critical Bridges:	5 (STABLE - WITHIN LIMITS)
	Comments:	

PROPOSED IMPROVEMENTS

75A.	Type of Work:	(NO WORK NEEDED.)
75B.	Work Done By:	0
76.	Improvement Length:	0 ft.
94.	Bridge Improvement Costs:	0 x 1000
95.	Roadway Improvement Costs:	0 x 1000
96.	Total Project Cost:	0 x 1000
97.	Year of Cost Estimate:	

RECOMMENDED MAINTENANCE

RECOMMEND INSTALLING CURRENT STD. APPR. RAIL W/END TREATMENT AND ALL B.E.M.'S, PLACING RIPRAP AT NE CORNER, AND REPAIR NE SHOULDER EROSION.

INSPECTION DATA

90.	Date:	3/5/2020	91.	Des. Inspection Frequency:	24 Months
92.	Critical Feature Inspection:	A: N	B: N	C: N	
93.	Date:	A:	B:	C:	

Unofficial Sufficiency Rating: 98.9
Unofficial Structural and Functional Classification: 0 (OK)



LOOKING WEST FROM ROAD



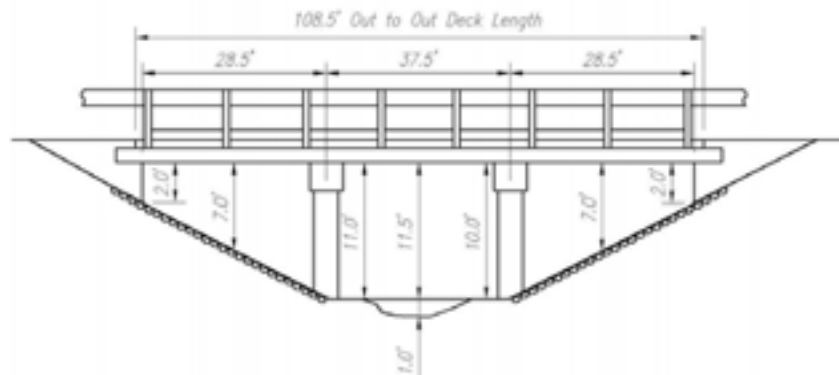
LOOKING EAST FROM ROAD



LOOKING SOUTH THROUGH CHANNEL



LOOKING EAST AT PIER SPALLS



See Additional Photographs

See on Township Map

FLOYD COUNTY - BRIDGE NO. 22-00091
GAP HOLLOW RD over KNOB CREEK

STRUCTURE INVENTORY AND APPRAISAL REPORT - 1

NBI Number: 2200071
 Facility Carried: GAP HOLLOW RD

Bridge Number: 22-00091
 Feature(s) Intersected: KNOB CREEK

IDENTIFICATION

<table border="0" style="width: 100%;"> <tr><td style="width: 10%;">1.</td><td style="width: 30%;">State:</td><td style="width: 30%;">185 (INDIANA)</td></tr> <tr><td>8.</td><td>NBI Number:</td><td>2200071</td></tr> <tr><td>5.</td><td>Inventory Route On:</td><td>1-4-2- 0-0</td></tr> <tr><td>2.</td><td>District:</td><td>05 (SEYMOUR)</td></tr> <tr><td>3.</td><td>County:</td><td>022 (FLOYD)</td></tr> <tr><td>6.</td><td>Feat Intersected:</td><td>KNOB CREEK</td></tr> <tr><td>7.</td><td>Facility Carried:</td><td>GAP HOLLOW RD</td></tr> <tr><td>9.</td><td>Location:</td><td>00.10 E OF BUDD RD</td></tr> </table>	1.	State:	185 (INDIANA)	8.	NBI Number:	2200071	5.	Inventory Route On:	1-4-2- 0-0	2.	District:	05 (SEYMOUR)	3.	County:	022 (FLOYD)	6.	Feat Intersected:	KNOB CREEK	7.	Facility Carried:	GAP HOLLOW RD	9.	Location:	00.10 E OF BUDD RD	<table border="0" style="width: 100%;"> <tr><td style="width: 10%;">4.</td><td style="width: 30%;">City/Town:</td><td style="width: 30%;">00000 ()</td></tr> <tr><td>98.</td><td>Border Bridge:</td><td></td></tr> <tr><td>99.</td><td>Border Bridge Number:</td><td></td></tr> <tr><td>11.</td><td>Mile Point (over):</td><td>0</td></tr> <tr><td>16.</td><td>Latitude:</td><td>38.23686</td></tr> <tr><td>17.</td><td>Longitude:</td><td>-85.896645</td></tr> </table>	4.	City/Town:	00000 ()	98.	Border Bridge:		99.	Border Bridge Number:		11.	Mile Point (over):	0	16.	Latitude:	38.23686	17.	Longitude:	-85.896645
1.	State:	185 (INDIANA)																																									
8.	NBI Number:	2200071																																									
5.	Inventory Route On:	1-4-2- 0-0																																									
2.	District:	05 (SEYMOUR)																																									
3.	County:	022 (FLOYD)																																									
6.	Feat Intersected:	KNOB CREEK																																									
7.	Facility Carried:	GAP HOLLOW RD																																									
9.	Location:	00.10 E OF BUDD RD																																									
4.	City/Town:	00000 ()																																									
98.	Border Bridge:																																										
99.	Border Bridge Number:																																										
11.	Mile Point (over):	0																																									
16.	Latitude:	38.23686																																									
17.	Longitude:	-85.896645																																									

STRUCTURE DATA

<table border="0" style="width: 100%;"> <tr><td style="width: 10%;">43A.</td><td style="width: 30%;">Structure Type - Main Span:</td><td style="width: 30%;">6 (CONT PRESTR CONCRETE)</td></tr> <tr><td>43B.</td><td>Structure Type - Main Span - Const.</td><td>06 (SPREAD BOX BEAM)</td></tr> <tr><td>107.</td><td>Deck Structure Type:</td><td>1 (CONCRETE CAST-IN-PLACE)</td></tr> <tr><td>108A.</td><td>Wearing Surface:</td><td>1 (MONOLITHIC CONCRETE)</td></tr> <tr><td>108C.</td><td>Protection</td><td>8 (UNKNOWN)</td></tr> </table>	43A.	Structure Type - Main Span:	6 (CONT PRESTR CONCRETE)	43B.	Structure Type - Main Span - Const.	06 (SPREAD BOX BEAM)	107.	Deck Structure Type:	1 (CONCRETE CAST-IN-PLACE)	108A.	Wearing Surface:	1 (MONOLITHIC CONCRETE)	108C.	Protection	8 (UNKNOWN)	<table border="0" style="width: 100%;"> <tr><td style="width: 10%;">44.</td><td style="width: 30%;">Structure Type - Approach:</td><td style="width: 30%;">000</td></tr> <tr><td>45.</td><td>Number of Spans - Main:</td><td>3</td></tr> <tr><td>46.</td><td>Number of Spans - Approach:</td><td>0000</td></tr> <tr><td>108B.</td><td>Membrane:</td><td>0 (NONE)</td></tr> </table>	44.	Structure Type - Approach:	000	45.	Number of Spans - Main:	3	46.	Number of Spans - Approach:	0000	108B.	Membrane:	0 (NONE)
43A.	Structure Type - Main Span:	6 (CONT PRESTR CONCRETE)																										
43B.	Structure Type - Main Span - Const.	06 (SPREAD BOX BEAM)																										
107.	Deck Structure Type:	1 (CONCRETE CAST-IN-PLACE)																										
108A.	Wearing Surface:	1 (MONOLITHIC CONCRETE)																										
108C.	Protection	8 (UNKNOWN)																										
44.	Structure Type - Approach:	000																										
45.	Number of Spans - Main:	3																										
46.	Number of Spans - Approach:	0000																										
108B.	Membrane:	0 (NONE)																										

AGE OF SERVICE

<table border="0" style="width: 100%;"> <tr><td style="width: 10%;">27.</td><td style="width: 30%;">Year Built:</td><td style="width: 30%;">1982</td></tr> <tr><td>42A.</td><td>Type of Service Over:</td><td>1 (HIGHWAY)</td></tr> <tr><td>28A.</td><td>Lanes on Structure:</td><td>2</td></tr> <tr><td>29.</td><td>ADT - Over:</td><td>186 VPD</td></tr> <tr><td>114.</td><td>Future ADT:</td><td>274 VPD</td></tr> <tr><td>109.</td><td>Average Truck Traffic:</td><td>3 %Trucks</td></tr> </table>	27.	Year Built:	1982	42A.	Type of Service Over:	1 (HIGHWAY)	28A.	Lanes on Structure:	2	29.	ADT - Over:	186 VPD	114.	Future ADT:	274 VPD	109.	Average Truck Traffic:	3 %Trucks	<table border="0" style="width: 100%;"> <tr><td style="width: 10%;">106.</td><td style="width: 30%;">Reconstructed:</td><td style="width: 30%;">0</td></tr> <tr><td>42B.</td><td>Type of Service Under:</td><td>5 (WATERWAY)</td></tr> <tr><td>28B.</td><td>Lanes Under Structure:</td><td>0</td></tr> <tr><td>30.</td><td>ADT Year Over:</td><td>2014</td></tr> <tr><td>115.</td><td>Future ADT Year:</td><td>2034</td></tr> <tr><td>19.</td><td>Bypass Detour Length:</td><td>7 mi.</td></tr> </table>	106.	Reconstructed:	0	42B.	Type of Service Under:	5 (WATERWAY)	28B.	Lanes Under Structure:	0	30.	ADT Year Over:	2014	115.	Future ADT Year:	2034	19.	Bypass Detour Length:	7 mi.
27.	Year Built:	1982																																			
42A.	Type of Service Over:	1 (HIGHWAY)																																			
28A.	Lanes on Structure:	2																																			
29.	ADT - Over:	186 VPD																																			
114.	Future ADT:	274 VPD																																			
109.	Average Truck Traffic:	3 %Trucks																																			
106.	Reconstructed:	0																																			
42B.	Type of Service Under:	5 (WATERWAY)																																			
28B.	Lanes Under Structure:	0																																			
30.	ADT Year Over:	2014																																			
115.	Future ADT Year:	2034																																			
19.	Bypass Detour Length:	7 mi.																																			

GEOMETRIC DATA

<table border="0" style="width: 100%;"> <tr><td style="width: 10%;">48.</td><td style="width: 30%;">Maximum Span Length:</td><td style="width: 30%;">37.5 ft.</td></tr> <tr><td>50A.</td><td>Sidewalk/Curb Left:</td><td>0.0 ft.</td></tr> <tr><td>51.</td><td>Bridge Roadway Width:</td><td>29 ft.</td></tr> <tr><td>32.</td><td>Approach Roadway Width:</td><td>22 ft.</td></tr> <tr><td>34.</td><td>Skew:</td><td>15 Degree(s)</td></tr> <tr><td>10.</td><td>Defense Vertical Clearance:</td><td>99.99</td></tr> <tr><td>47.</td><td>Total Horiz. Clearance:</td><td>29 ft.</td></tr> <tr><td>55A.</td><td>Min Latr. Cl. Right - Code:</td><td>N</td></tr> <tr><td>55B.</td><td>Lateral Right:</td><td>0 ft.</td></tr> </table>	48.	Maximum Span Length:	37.5 ft.	50A.	Sidewalk/Curb Left:	0.0 ft.	51.	Bridge Roadway Width:	29 ft.	32.	Approach Roadway Width:	22 ft.	34.	Skew:	15 Degree(s)	10.	Defense Vertical Clearance:	99.99	47.	Total Horiz. Clearance:	29 ft.	55A.	Min Latr. Cl. Right - Code:	N	55B.	Lateral Right:	0 ft.	<table border="0" style="width: 100%;"> <tr><td style="width: 10%;">49.</td><td style="width: 30%;">Structure Length:</td><td style="width: 30%;">108.5 ft.</td></tr> <tr><td>50B.</td><td>Sidewalk/Curb Right:</td><td>0.0 ft.</td></tr> <tr><td>52.</td><td>Deck Width (O-O)</td><td>30 ft.</td></tr> <tr><td>33.</td><td>Bridge Median:</td><td>0 (NO MEDIAN)</td></tr> <tr><td>35.</td><td>Structure Flared:</td><td>0 (NO FLARE)</td></tr> <tr><td>53.</td><td>Vertical Clearance/Deck:</td><td>99.99 ft.</td></tr> <tr><td>54A.</td><td>Min Vert Clear Code:</td><td>N</td></tr> <tr><td>54B.</td><td>Underclearance:</td><td>0 ft.</td></tr> <tr><td>56.</td><td>Lateral Left:</td><td>0 ft.</td></tr> </table>	49.	Structure Length:	108.5 ft.	50B.	Sidewalk/Curb Right:	0.0 ft.	52.	Deck Width (O-O)	30 ft.	33.	Bridge Median:	0 (NO MEDIAN)	35.	Structure Flared:	0 (NO FLARE)	53.	Vertical Clearance/Deck:	99.99 ft.	54A.	Min Vert Clear Code:	N	54B.	Underclearance:	0 ft.	56.	Lateral Left:	0 ft.
48.	Maximum Span Length:	37.5 ft.																																																					
50A.	Sidewalk/Curb Left:	0.0 ft.																																																					
51.	Bridge Roadway Width:	29 ft.																																																					
32.	Approach Roadway Width:	22 ft.																																																					
34.	Skew:	15 Degree(s)																																																					
10.	Defense Vertical Clearance:	99.99																																																					
47.	Total Horiz. Clearance:	29 ft.																																																					
55A.	Min Latr. Cl. Right - Code:	N																																																					
55B.	Lateral Right:	0 ft.																																																					
49.	Structure Length:	108.5 ft.																																																					
50B.	Sidewalk/Curb Right:	0.0 ft.																																																					
52.	Deck Width (O-O)	30 ft.																																																					
33.	Bridge Median:	0 (NO MEDIAN)																																																					
35.	Structure Flared:	0 (NO FLARE)																																																					
53.	Vertical Clearance/Deck:	99.99 ft.																																																					
54A.	Min Vert Clear Code:	N																																																					
54B.	Underclearance:	0 ft.																																																					
56.	Lateral Left:	0 ft.																																																					

STRUCTURE INVENTORY AND APPRAISAL REPORT - 2

NBI Number: 2200071
 Facility Carried: GAP HOLLOW RD

Bridge Number: 22-00091
 Feature(s) Intersected: KNOB CREEK

NAVIGATION

38. Navigational Control: 0	40. Navigational Horizontal Clearance: 0 ft.
39. Navigational Vertical Clearance: 0 ft.	116. Vertical Clearance - Lift Bridge: ft.
111. Pier/Abutment Protection:	

CLASSIFICATION

112. NBIS Bridge Length: Y	12. Base Highway Network: 0
104. Highway System - Over: 0 (NOT ON NHS)	13A. LRS Inventory Route:
26. Func. Class - Over: 09 (RURAL - LOCAL)	13B. LRS Inventory Subroute:
100. Defense Highway Des: 0	101. Parallel Structure Des: N
102. Direction of Traffic: 2 (2-WAY TRAFFIC)	103. Temporary Structure Des:
110. Des. Nat. Network: 0	20. Toll: 3 (ON FREE ROAD-NO TOLL)
21. Maint. Responsibility: 02 (COUNTY HIGHWAY AGENCY)	22. Owner: 02 (COUNTY HIGHWAY AGENCY)
37. Historical Significance: 5 (NOT ELIGIBLE)	

CONDITION

58. Deck:	Material: CONCRETE	Rating:	8
VERY GOOD - FEW POPOUTS, IMPACT DAMAGE AT BRIDGE ENDS			
58.01. Wearing Surface:	Material: INTEGRAL CONCRETE	Rating:	8
VERY GOOD - MINOR DEBRIS ON EDGES			
59. Superstructure:	Material: CONCRETE	Rating:	8
VERY GOOD - NO MAJOR DEFECTS			
60. Substructure:	Material: CONCRETE	Rating:	7
GOOD - PIER COLUMN SPALLS, EXPOSED STEEL			
61. Channel:	Material: RIPRAP & NATURAL	Rating:	8
VERY GOOD - BRUSHY STREAMBANKS			
62. Culvert/Ret:	Material: N/A	Rating:	N
N/A			

LOAD RATING AND POSTING

31. Design Load: 5 (HS 20)	63. Oper Rating Method: 3 (LOAD RESISTANCE FACTOR (LRFR))
64. Operating Rating: 58	65. Inv Rating Method: 3 (LOAD AND RESISTANCE FACTOR (LRFR))
66. Inventory Rating: 37	66C. Tons Posted: Tons
66B. Gross Tons or H Rating: 23 Tons	66D. Date Posted/Closed:
41. Open, Posted, or Closed: A (OPEN)	70. Bridge Posting: 5 (EQUAL TO OR ABOVE LEGAL LOADS)

STRUCTURE INVENTORY AND APPRAISAL REPORT - 3

NBI Number: 2200071
Facility Carried: GAP HOLLOW RD

Bridge Number: 22-00091
Feature(s) Intersected: KNOB CREEK

APPRAISAL

67.	Structural:	7
68.	Geometry:	6
69.	Underclearance:	N
71.	Waterway Adequacy:	7
36A.	Traffic Safety Features (Bridge Railings):	0 (DOES NOT MEET ACCEPTABLE STANDARDS/SAFETY FEATURE IS REQUIRED)
36B.	Traffic Safety Features (Transitions):	0 (DOES NOT MEET ACCEPTABLE STANDARDS/SAFETY FEATURE IS REQUIRED)
36C.	Traffic Safety Features (Approach Guardrail):	1 (MEETS ACCEPTABLE STANDARDS)
36D.	Traffic Safety Features (Approach Guardrail Ends):	1 (MEETS ACCEPTABLE STANDARDS)
72.	Roadway Alignment:	6 - CURVE W, ON STEEP UPGRADE TO INT. W.
	Material:	BITUMINOUS
	Comments:	SETTLED & CRACKED
113.	Scour Critical Bridges:	5 (STABLE - WITHIN LIMITS)
	Comments:	

PROPOSED IMPROVEMENTS

75A.	Type of Work:	(NO WORK NEEDED.)
75B.	Work Done By:	0
76.	Improvement Length:	0 ft.
94.	Bridge Improvement Costs:	0 x 1000
95.	Roadway Improvement Costs:	0 x 1000
96.	Total Project Cost:	0 x 1000
97.	Year of Cost Estimate:	

RECOMMENDED MAINTENANCE

RECOMMEND INSTALLING CURRENT STD. BRIDGE RAIL & NE & SE B.E.M.'S

INSPECTION DATA

90.	Date:	3/3/2020	91.	Des. Inspection Frequency:	48 Months
92.	Critical Feature Inspection:	A: N	B: N	C: N	
93.	Date:	A:	B:	C:	
	Unofficial Sufficiency Rating:	98.9			
	Unofficial Structural and Functional Classification:	0 (OK)			



LOOKING NORTH FROM ROAD



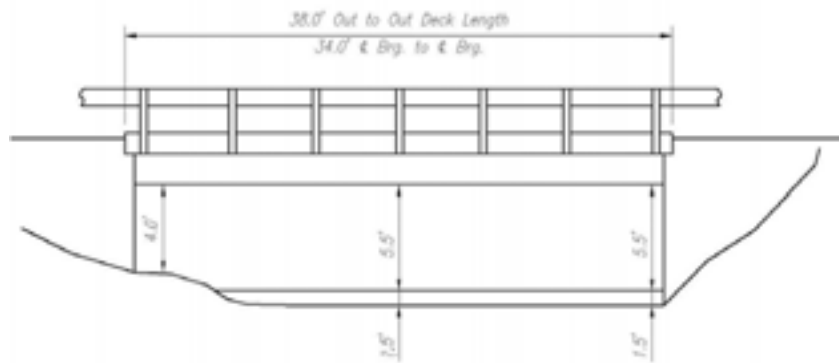
LOOKING SOUTH FROM ROAD



LOOKING WEST THROUGH CHANNEL



SOUTH ABUTMENT



See on
Township Map

FLOYD COUNTY - BRIDGE NO. 22-00093
BUDD RD over EISEMAN CREEK

STRUCTURE INVENTORY AND APPRAISAL REPORT - 1

NBI Number: 2200072
 Facility Carried: BUDD RD

Bridge Number: 22-00093
 Feature(s) Intersected: EISEMAN CREEK

IDENTIFICATION

<p>1. State: 185 (INDIANA)</p> <p>8. NBI Number: 2200072</p> <p>5. Inventory Route On: 1-4-2- 0-0</p> <p>2. District: 05 (SEYMOUR)</p> <p>3. County: 022 (FLOYD)</p> <p>6. Feat Intersected: EISEMAN CREEK</p> <p>7. Facility Carried: BUDD RD</p> <p>9. Location: 00.30 N FIVE MILE LANE</p>	<p>4. City/Town: 00000 ()</p> <p>98. Border Bridge:</p> <p>99. Border Bridge Number:</p> <p>11. Mile Point (over): 0</p> <p>16. Latitude: 38.21819</p> <p>17. Longitude: -85.900375</p>
---	---

STRUCTURE DATA

<p>43A. Structure Type - Main Span: 5 (PRESTRESSED CONCRETE)</p> <p>43B. Structure Type - Main Span - Const. 06 (SPREAD BOX BEAM)</p> <p>107. Deck Structure Type: 1 (CONCRETE CAST-IN-PLACE)</p> <p>108A. Wearing Surface: 1 (MONOLITHIC CONCRETE)</p> <p>108C. Protection 8 (UNKNOWN)</p>	<p>44. Structure Type - Approach: 000</p> <p>45. Number of Spans - Main: 1</p> <p>46. Number of Spans - Approach: 0000</p> <p>108B. Membrane: 0 (NONE)</p>
---	--

AGE OF SERVICE

<p>27. Year Built: 1991</p> <p>42A. Type of Service Over: 1 (HIGHWAY)</p> <p>28A. Lanes on Structure: 2</p> <p>29. ADT - Over: 146 VPD</p> <p>114. Future ADT: 215 VPD</p> <p>109. Average Truck Traffic: 4 %Trucks</p>	<p>106. Reconstructed: 0</p> <p>42B. Type of Service Under: 5 (WATERWAY)</p> <p>28B. Lanes Under Structure: 0</p> <p>30. ADT Year Over: 2016</p> <p>115. Future ADT Year: 2036</p> <p>19. Bypass Detour Length: 8 mi.</p>
---	---

GEOMETRIC DATA

<p>48. Maximum Span Length: 34 ft.</p> <p>50A. Sidewalk/Curb Left: 0.0 ft.</p> <p>51. Bridge Roadway Width: 23.9 ft.</p> <p>32. Approach Roadway Width: 23 ft.</p> <p>34. Skew: 0 Degree(s)</p> <p>10. Defense Vertical Clearance: 99.99</p> <p>47. Total Horiz. Clearance: 23.9 ft.</p> <p>55A. Min Latr. Cl. Right - Code: N</p> <p>55B. Lateral Right: 0 ft.</p>	<p>49. Structure Length: 38 ft.</p> <p>50B. Sidewalk/Curb Right: 0.0 ft.</p> <p>52. Deck Width (O-O) 24 ft.</p> <p>33. Bridge Median: 0 (NO MEDIAN)</p> <p>35. Structure Flared: 0 (NO FLARE)</p> <p>53. Vertical Clearance/Deck: 99.99 ft.</p> <p>54A. Min Vert Clear Code: N</p> <p>54B. Underclearance: 0 ft.</p> <p>56. Lateral Left: 0 ft.</p>
---	---

STRUCTURE INVENTORY AND APPRAISAL REPORT - 2

NBI Number: 2200072
 Facility Carried: BUDD RD

Bridge Number: 22-00093
 Feature(s) Intersected: EISEMAN CREEK

NAVIGATION

38. Navigational Control: 0	40. Navigational Horizontal Clearance: 0 ft.
39. Navigational Vertical Clearance: 0 ft.	116. Vertical Clearance - Lift Bridge: ft.
111. Pier/Abutment Protection:	

CLASSIFICATION

112. NBIS Bridge Length: Y	12. Base Highway Network: 0
104. Highway System - Over: 0 (NOT ON NHS)	13A. LRS Inventory Route:
26. Func. Class - Over: 08 (RURAL - MINOR COLLECTOR)	13B. LRS Inventory Subroute:
100. Defense Highway Des: 0	101. Parallel Structure Des: N
102. Direction of Traffic: 2 (2-WAY TRAFFIC)	103. Temporary Structure Des:
110. Des. Nat. Network: 0	20. Toll: 3 (ON FREE ROAD-NO TOLL)
21. Maint. Responsibility: 02 (COUNTY HIGHWAY AGENCY)	22. Owner: 02 (COUNTY HIGHWAY AGENCY)
37. Historical Significance: 5 (NOT ELIGIBLE)	

CONDITION

58. Deck: GOOD - HAIRLINE CRACKS, POPOUTS	Material: CONCRETE	Rating: 7
58.01. Wearing Surface: GOOD - SHORT LONGITUDINAL HAIRLINE CRACKS	Material: INTEGRAL CONCRETE	Rating: 7
59. Superstructure: VERY GOOD - NO MAJOR DEFECTS	Material: CONCRETE BOX BEAMS	Rating: 8
60. Substructure: GOOD - VERTICAL HAIRLINE CRACKS, LEACHING AT CORNERS	Material: CONCRETE	Rating: 7
61. Channel: FAIR - AGGRADATION NORTH, LIGHT SCOUR SOUTH	Material: NATURAL	Rating: 5
62. Culvert/Ret: N/A	Material: N/A	Rating: N

LOAD RATING AND POSTING

31. Design Load: 5 (HS 20)	63. Oper Rating Method: 3 (LOAD RESISTANCE FACTOR (LRFR))
64. Operating Rating: 59	65. Inv Rating Method: 3 (LOAD AND RESISTANCE FACTOR (LRFR))
66. Inventory Rating: 35	66C. Tons Posted: Tons
66B. Gross Tons or H Rating: 23 Tons	66D. Date Posted/Closed:
41. Open, Posted, or Closed: A (OPEN)	70. Bridge Posting: 5 (EQUAL TO OR ABOVE LEGAL LOADS)

STRUCTURE INVENTORY AND APPRAISAL REPORT - 3

NBI Number: 2200072
Facility Carried: BUDD RD

Bridge Number: 22-00093
Feature(s) Intersected: EISEMAN CREEK

APPRAISAL

67.	Structural:	7
68.	Geometry:	5
69.	Underclearance:	N
71.	Waterway Adequacy:	4
36A.	Traffic Safety Features (Bridge Railings):	0 (DOES NOT MEET ACCEPTABLE STANDARDS/SAFETY FEATURE IS REQUIRED)
36B.	Traffic Safety Features (Transitions):	0 (DOES NOT MEET ACCEPTABLE STANDARDS/SAFETY FEATURE IS REQUIRED)
36C.	Traffic Safety Features (Approach Guardrail):	1 (MEETS ACCEPTABLE STANDARDS)
36D.	Traffic Safety Features (Approach Guardrail Ends):	1 (MEETS ACCEPTABLE STANDARDS)
72.	Roadway Alignment:	8 - TANGENT, NEARLY LEVEL
	Material:	BITUMINOUS
	Comments:	NO MAJOR DEFECTS
113.	Scour Critical Bridges:	5 (STABLE - WITHIN LIMITS)
	Comments:	

PROPOSED IMPROVEMENTS

75A.	Type of Work:	(NO WORK NEEDED.)
75B.	Work Done By:	0
76.	Improvement Length:	0 ft.
94.	Bridge Improvement Costs:	0 x 1000
95.	Roadway Improvement Costs:	0 x 1000
96.	Total Project Cost:	0 x 1000
97.	Year of Cost Estimate:	

RECOMMENDED MAINTENANCE

RECOMMEND INSTALLING CURRENT STD. BRIDGE RAIL AND ALL B.E.M.'S.

INSPECTION DATA

90.	Date:	3/3/2020	91.	Des. Inspection Frequency:	24 Months
92.	Critical Feature Inspection:	A: N	B: N	C: N	
93.	Date:	A:	B:	C:	
	Unofficial Sufficiency Rating:	91.2			
	Unofficial Structural and Functional Classification:	0 (OK)			



LOOKING WEST FROM ROAD



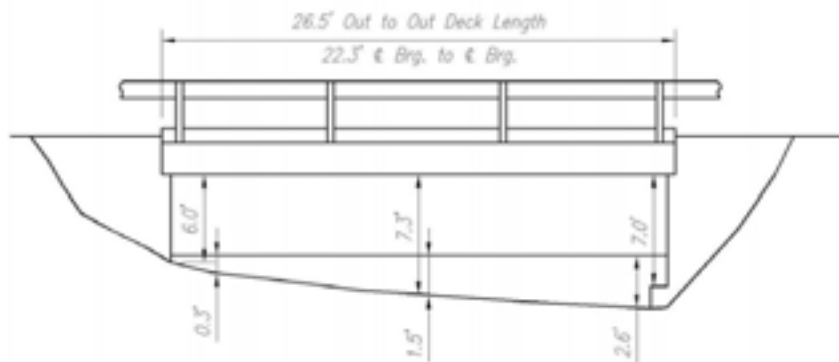
LOOKING EAST FROM ROAD



LOOKING NORTH THROUGH CHANNEL



SOUTHEAST CORNER SCOUR



See Additional Photographs

See on Township Map

FLOYD COUNTY - BRIDGE NO. 22-00094
 E MCCARTHY KNOB RD over AL'S CREEK

STRUCTURE INVENTORY AND APPRAISAL REPORT - 1

NBI Number: 2200073
 Facility Carried: E MCCARTHY KNOB RD

Bridge Number: 22-00094
 Feature(s) Intersected: AL'S CREEK

IDENTIFICATION

1. State: 185 (INDIANA) 8. NBI Number: 2200073 5. Inventory Route On: 1-4-2- 0-0 2. District: 05 (SEYMOUR) 3. County: 022 (FLOYD) 6. Feat Intersected: AL'S CREEK 7. Facility Carried: E MCCARTHY KNOB RD 9. Location: 00.30 W OF BUDD RD	4. City/Town: 00000 () 98. Border Bridge: 99. Border Bridge Number: 11. Mile Point (over): 0 16. Latitude: 38.24596 17. Longitude: -85.901314
--	--

STRUCTURE DATA

43A. Structure Type - Main Span: 3 (STEEL) 43B. Structure Type - Main Span - Const. 02 (GIRDER) 107. Deck Structure Type: 1 (CONCRETE CAST-IN-PLACE) 108A. Wearing Surface: 6 (BITUMINOUS) 108C. Protection 0 (NONE)	44. Structure Type - Approach: 000 45. Number of Spans - Main: 1 46. Number of Spans - Approach: 0000 108B. Membrane: 8 (UNKNOWN)
--	--

AGE OF SERVICE

27. Year Built: 1966 42A. Type of Service Over: 1 (HIGHWAY) 28A. Lanes on Structure: 2 29. ADT - Over: 323 VPD 114. Future ADT: 476 VPD 109. Average Truck Traffic: 3 %Trucks	106. Reconstructed: 0 42B. Type of Service Under: 5 (WATERWAY) 28B. Lanes Under Structure: 0 30. ADT Year Over: 2016 115. Future ADT Year: 2036 19. Bypass Detour Length: 199 mi.
--	--

GEOMETRIC DATA

48. Maximum Span Length: 22.2 ft. 50A. Sidewalk/Curb Left: 0.0 ft. 51. Bridge Roadway Width: 22.2 ft. 32. Approach Roadway Width: 16 ft. 34. Skew: 35 Degree(s) 10. Defense Vertical Clearance: 99.99 47. Total Horiz. Clearance: 22.2 ft. 55A. Min Latr. Cl. Right - Code: N 55B. Lateral Right: 0 ft.	49. Structure Length: 26.5 ft. 50B. Sidewalk/Curb Right: 0.0 ft. 52. Deck Width (O-O) 23.9 ft. 33. Bridge Median: 0 (NO MEDIAN) 35. Structure Flared: 0 (NO FLARE) 53. Vertical Clearance/Deck: 99.99 ft. 54A. Min Vert Clear Code: N 54B. Underclearance: 0 ft. 56. Lateral Left: 0 ft.
---	--

STRUCTURE INVENTORY AND APPRAISAL REPORT - 2

NBI Number: 2200073 Facility Carried: E MCCARTHY KNOB RD	Bridge Number: 22-00094 Feature(s) Intersected: AL'S CREEK
---	---

NAVIGATION

38. Navigational Control: 0	40. Navigational Horizontal Clearance: 0 ft.
39. Navigational Vertical Clearance: 0 ft.	116. Vertical Clearance - Lift Bridge: ft.
111. Pier/Abutment Protection:	

CLASSIFICATION

112. NBIS Bridge Length: Y	12. Base Highway Network: 0
104. Highway System - Over: 0 (NOT ON NHS)	13A. LRS Inventory Route:
26. Func. Class - Over: 09 (RURAL - LOCAL)	13B. LRS Inventory Subroute:
100. Defense Highway Des: 0	101. Parallel Structure Des: N
102. Direction of Traffic: 2 (2-WAY TRAFFIC)	103. Temporary Structure Des:
110. Des. Nat. Network: 0	20. Toll: 3 (ON FREE ROAD-NO TOLL)
21. Maint. Responsibility: 02 (COUNTY HIGHWAY AGENCY)	22. Owner: 02 (COUNTY HIGHWAY AGENCY)
37. Historical Significance: 5 (NOT ELIGIBLE)	

CONDITION

58. Deck: SATIS - BOTTOM OF DECK SPALLS WITH EXPOSED BEAMS	Material: CONCRETE	Rating:	6
58.01. Wearing Surface: SATIS - EXCESSIVE WEARING SURFACE, NOT FULL WIDTH	Material: BITUMINOUS (5")	Rating:	6
59. Superstructure: SATIS - EXPOSED BOTTOMS OF BEAMS IN TWO AREAS	Material: ENCASED STEEL BEAMS	Rating:	6
60. Substructure: SATIS - SW WING UNDERCUT	Material: CONCRETE	Rating:	6
61. Channel: FAIR - SCOUR AT NE CORNER, FLOW TOWARDS SE CORNER	Material: RIPRAP AND NATURAL	Rating:	5
62. Culvert/Ret: N/A	Material: N/A	Rating:	N

LOAD RATING AND POSTING

31. Design Load: 0 (UNKNOWN)	63. Oper Rating Method: 0 (FIELD EVAL AND ENG JUDGEMENT)
64. Operating Rating: 36	65. Inv Rating Method: 0 (FIELD EVAL AND ENG JUDGEMENT)
66. Inventory Rating: 36	66C. Tons Posted: Tons
66B. Gross Tons or H Rating: 20 Tons	66D. Date Posted/Closed:
41. Open, Posted, or Closed: A (OPEN)	70. Bridge Posting: 5 (EQUAL TO OR ABOVE LEGAL LOADS)

STRUCTURE INVENTORY AND APPRAISAL REPORT - 3

NBI Number: 2200073
Facility Carried: E MCCARTHY KNOB RD

Bridge Number: 22-00094
Feature(s) Intersected: AL'S CREEK

APPRAISAL

67.	Structural:	6
68.	Geometry:	4
69.	Underclearance:	N
71.	Waterway Adequacy:	5
36A.	Traffic Safety Features (Bridge Railings):	0 (DOES NOT MEET ACCEPTABLE STANDARDS/SAFETY FEATURE IS REQUIRED)
36B.	Traffic Safety Features (Transitions):	0 (DOES NOT MEET ACCEPTABLE STANDARDS/SAFETY FEATURE IS REQUIRED)
36C.	Traffic Safety Features (Approach Guardrail):	0 (DOES NOT MEET ACCEPTABLE STANDARDS/SAFETY FEATURE IS REQUIRED)
36D.	Traffic Safety Features (Approach Guardrail Ends):	0 (DOES NOT MEET ACCEPTABLE STANDARDS/SAFETY FEATURE IS REQUIRED)
72.	Roadway Alignment:	6 - DIP NORTH, CURVE SOUTH
	Material:	BITUMINOUS
	Comments:	LONG. AND TRANS. CRACKS
113.	Scour Critical Bridges:	4 (STABLE - ACTION NEEDED)
	Comments:	SOUTHEAST CORNER FOOTING EXPOSED

PROPOSED IMPROVEMENTS

75A.	Type of Work:	(NO WORK NEEDED.)
75B.	Work Done By:	0
76.	Improvement Length:	0 ft.
94.	Bridge Improvement Costs:	0 x 1000
95.	Roadway Improvement Costs:	0 x 1000
96.	Total Project Cost:	0 x 1000
97.	Year of Cost Estimate:	

RECOMMENDED MAINTENANCE

RECOMMEND INSTALLING CURRENT STD. BRIDGE & APPR. RAIL W/END TREATMENT AND NW & SE B.E.M.'S, AND PLACING RIPRAP AT SE CORNER.

INSPECTION DATA

90.	Date:	3/3/2020	91.	Des. Inspection Frequency:	24 Months
92.	Critical Feature Inspection:	A: N	B: N	C: N	
93.	Date:	A:	B:	C:	

Unofficial Sufficiency Rating: 71.8
Unofficial Structural and Functional Classification: 0 (OK)



LOOKING EAST FROM ROAD



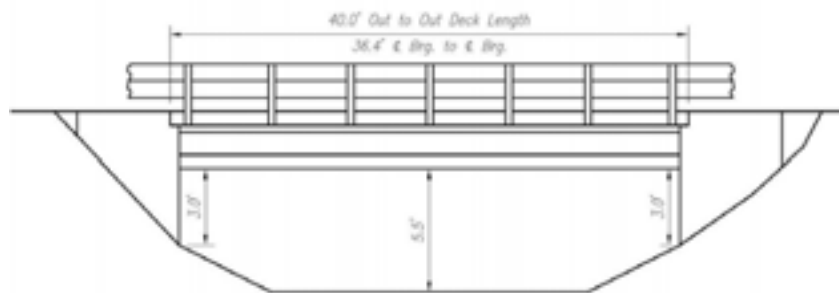
LOOKING WEST FROM ROAD



LOOKING SOUTH DOWNSTREAM



LOOKING AT SPALL WITH EXPOSED BROKEN STRANDS



See Additional Photographs

See on Township Map

FLOYD COUNTY - BRIDGE NO. 22-00096
BEECHWOOD AVE over FALL RUN

STRUCTURE INVENTORY AND APPRAISAL REPORT - 1

NBI Number: 2200096 Facility Carried: BEECHWOOD AVE	Bridge Number: 22-00096 Feature(s) Intersected: FALL RUN
--	---

IDENTIFICATION

1. State: 185 (INDIANA) 8. NBI Number: 2200096 5. Inventory Route On: 1-5-1- 0-0 2. District: 05 (SEYMOUR) 3. County: 022 (FLOYD) 6. Feat Intersected: FALL RUN 7. Facility Carried: BEECHWOOD AVE 9. Location: 00.44 N SR 311	4. City/Town: 52326 (NEW ALBANY) 98. Border Bridge: 99. Border Bridge Number: 11. Mile Point (over): 0 16. Latitude: 38.30704 17. Longitude: -85.82010
---	---

STRUCTURE DATA

43A. Structure Type - Main Span: 5 (PRESTRESSED CONCRETE) 43B. Structure Type - Main Span - Const. 05 (ADJACENT BOX BEAM) 107. Deck Structure Type: 1 (CONCRETE CAST-IN-PLACE) 108A. Wearing Surface: 3 (LATEX CONCRETE) 108C. Protection 0 (NONE)	44. Structure Type - Approach: 000 45. Number of Spans - Main: 1 46. Number of Spans - Approach: 0000 108B. Membrane: 0 (NONE)
--	---

AGE OF SERVICE

27. Year Built: 1967 42A. Type of Service Over: 5 (HIGHWAY/PEDESTRIAN) 28A. Lanes on Structure: 2 29. ADT - Over: 14960 VPD 114. Future ADT: 22051 VPD 109. Average Truck Traffic: 5 %Trucks	106. Reconstructed: 1980 42B. Type of Service Under: 5 (WATERWAY) 28B. Lanes Under Structure: 0 30. ADT Year Over: 2016 115. Future ADT Year: 2036 19. Bypass Detour Length: 1 mi.
---	---

GEOMETRIC DATA

48. Maximum Span Length: 36.4 ft. 50A. Sidewalk/Curb Left: 3.0 ft. 51. Bridge Roadway Width: 45.4 ft. 32. Approach Roadway Width: 45 ft. 34. Skew: 0 Degree(s) 10. Defense Vertical Clearance: 99.99 47. Total Horiz. Clearance: 45.4 ft. 55A. Min Latr. Cl. Right - Code: N 55B. Lateral Right: 0 ft.	49. Structure Length: 40 ft. 50B. Sidewalk/Curb Right: 3.0 ft. 52. Deck Width (O-O) 51.4 ft. 33. Bridge Median: 0 (NO MEDIAN) 35. Structure Flared: 0 (NO FLARE) 53. Vertical Clearance/Deck: 99.99 ft. 54A. Min Vert Clear Code: N 54B. Underclearance: 0 ft. 56. Lateral Left: 0 ft.
--	--

STRUCTURE INVENTORY AND APPRAISAL REPORT - 2

NBI Number: 2200096
 Facility Carried: BEECHWOOD AVE

Bridge Number: 22-00096
 Feature(s) Intersected: FALL RUN

NAVIGATION

38. Navigational Control:	0	40. Navigational Horizontal Clearance:	0 ft.
39. Navigational Vertical Clearance:	0 ft.	116. Vertical Clearance - Lift Bridge:	ft.
111. Pier/Abutment Protection:			

CLASSIFICATION

112. NBIS Bridge Length:	Y	12. Base Highway Network:	0
104. Highway System - Over:	0 (NOT ON NHS)	13A. LRS Inventory Route:	
26. Func. Class - Over:	16 (URBAN - MINOR ARTERIAL)	13B. LRS Inventory Subroute:	
100. Defense Highway Des:	0	101. Parallel Structure Des:	N
102. Direction of Traffic:	2 (2-WAY TRAFFIC)	103. Temporary Structure Des:	
110. Des. Nat. Network:	0	20. Toll:	3 (ON FREE ROAD-NO TOLL)
21. Maint. Responsibility:	02 (COUNTY HIGHWAY AGENCY)	22. Owner:	02 (COUNTY HIGHWAY AGENCY)
37. Historical Significance:	5 (NOT ELIGIBLE)		

CONDITION

58. Deck:	Material: CONCRETE	Rating:	6
SATIS - RAILING DAMAGED, 2 POSTS LOOSE SOUTH SIDE			
58.01. Wearing Surface:	Material: CONCRETE	Rating:	6
SATIS - POPOUTS AT JOINTS, LONG CRACKS AT BEAM LINES, MODERATE SURFACE WEAR EXPOSED AGGREGATE SURFACE.			
59. Superstructure:	Material: PRESTRESSED CONCRETE BOX BEAMS	Rating:	6
SATIS - 1 BEAM SPALLED 2ND FROM NORTH 3' LONG, EXP. AND RUSTED STRANDS TWO ARE EXPOSED AND BROKEN, SOUTH BEAM SPALLED AT 2 GUARDRAIL CONNECTIONS AND ONE PREVIOUS GUARDRAIL CONNECTION			
60. Substructure:	Material: CONCRETE BENT CAP ON PILES	Rating:	7
GOOD - WATER SEEPAGE ONTO BRIDGE SEATS			
61. Channel:	Material: CONCRETE SLOPEWALL	Rating:	6
SATIS - ONLY MINOR DRIFT NOW IN CHANNEL			
62. Culvert/Ret:	Material: N/A	Rating:	N
N/A			

LOAD RATING AND POSTING

31. Design Load:	0 (UNKNOWN)	63. Oper Rating Method:	3 (LOAD RESISTANCE FACTOR (LRFR))
64. Operating Rating:	76	65. Inv Rating Method:	3 (LOAD AND RESISTANCE FACTOR (LRFR))
66. Inventory Rating:	55	66C. Tons Posted:	Tons
66B. Gross Tons or H Rating:	46 Tons	66D. Date Posted/Closed:	
41. Open, Posted, or Closed:	A (OPEN)	70. Bridge Posting:	5 (EQUAL TO OR ABOVE LEGAL LOADS)

STRUCTURE INVENTORY AND APPRAISAL REPORT - 3

NBI Number: 2200096
 Facility Carried: BEECHWOOD AVE

Bridge Number: 22-00096
 Feature(s) Intersected: FALL RUN

APPRAISAL

67.	Structural:	6
68.	Geometry:	9
69.	Underclearance:	N
71.	Waterway Adequacy:	6
36A.	Traffic Safety Features (Bridge Railings):	0 (DOES NOT MEET ACCEPTABLE STANDARDS/SAFETY FEATURE IS REQUIRED)
36B.	Traffic Safety Features (Transitions):	0 (DOES NOT MEET ACCEPTABLE STANDARDS/SAFETY FEATURE IS REQUIRED)
36C.	Traffic Safety Features (Approach Guardrail):	0 (DOES NOT MEET ACCEPTABLE STANDARDS/SAFETY FEATURE IS REQUIRED)
36D.	Traffic Safety Features (Approach Guardrail Ends):	0 (DOES NOT MEET ACCEPTABLE STANDARDS/SAFETY FEATURE IS REQUIRED)
72.	Roadway Alignment:	8 - STRAIGHT INTERSECTION TO THE W
	Material:	BITUMINOUS
	Comments:	NEW BITUMINOUS ON APPROACHES SIDEWALK HAVE SETTLED AT ALL CORNERS OF THE BRIDGE
113.	Scour Critical Bridges:	5 (STABLE - WITHIN LIMITS)
	Comments:	TRASH & DEBRIS IN CHANNELPILES, 30' LONG, CONCRETE SLOPE WALLS, DEBRIS IN CHANNEL

PROPOSED IMPROVEMENTS

75A.	Type of Work:	(NO WORK NEEDED.)
75B.	Work Done By:	0
76.	Improvement Length:	0 ft.
94.	Bridge Improvement Costs:	0 x 1000
95.	Roadway Improvement Costs:	0 x 1000
96.	Total Project Cost:	0 x 1000
97.	Year of Cost Estimate:	

RECOMMENDED MAINTENANCE

RECOMMEND INSTALLING CURRENT STD. BRIDGE & APPR. RAIL W/END TREATMENT AND SW B.E.M.'S. PATCH SPALLED BEAMS.

INSPECTION DATA

90.	Date:	3/3/2020	91.	Des. Inspection Frequency:	48 Months
92.	Critical Feature Inspection:	A: N	B: N	C: N	
93.	Date:	A:	B:	C:	
	Unofficial Sufficiency Rating:	95.6			
	Unofficial Structural and Functional Classification:	0 (OK)			



LOOKING NORTH FROM ROAD



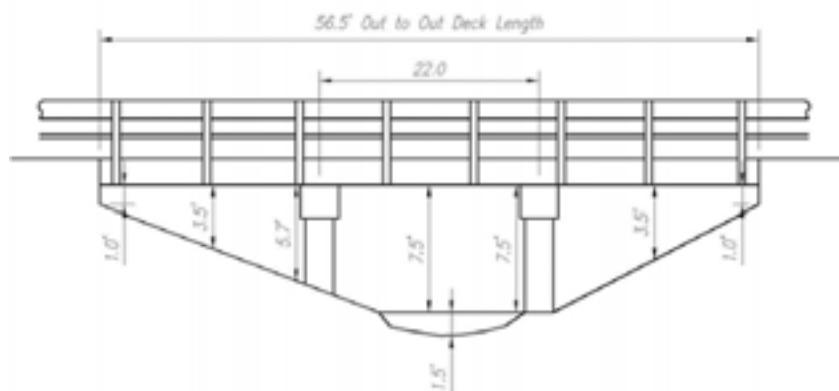
LOOKING SOUTH FROM ROAD



LOOKING EAST DOWNSTREAM



LOOKING SOUTH AT SPAN CRACKING WITH EFFL.



See Additional Photographs

See on Township Map

FLOYD COUNTY - BRIDGE NO. 22-00101
 OLD SR 111 over BRANCH ELK RUN

STRUCTURE INVENTORY AND APPRAISAL REPORT - 1

NBI Number: 2200101
 Facility Carried: OLD SR 111

Bridge Number: 22-00101
 Feature(s) Intersected: BRANCH ELK RUN

IDENTIFICATION

<table border="0" style="width: 100%;"> <tr><td style="width: 10%;">1.</td><td style="width: 30%;">State:</td><td style="width: 30%;">185 (INDIANA)</td></tr> <tr><td>8.</td><td>NBI Number:</td><td>2200101</td></tr> <tr><td>5.</td><td>Inventory Route On:</td><td>1-3-1- 111-0</td></tr> <tr><td>2.</td><td>District:</td><td>05 (SEYMOUR)</td></tr> <tr><td>3.</td><td>County:</td><td>022 (FLOYD)</td></tr> <tr><td>6.</td><td>Feat Intersected:</td><td>BRANCH ELK RUN</td></tr> <tr><td>7.</td><td>Facility Carried:</td><td>OLD SR 111</td></tr> <tr><td>9.</td><td>Location:</td><td>02.10 S SR 60</td></tr> </table>	1.	State:	185 (INDIANA)	8.	NBI Number:	2200101	5.	Inventory Route On:	1-3-1- 111-0	2.	District:	05 (SEYMOUR)	3.	County:	022 (FLOYD)	6.	Feat Intersected:	BRANCH ELK RUN	7.	Facility Carried:	OLD SR 111	9.	Location:	02.10 S SR 60	<table border="0" style="width: 100%;"> <tr><td style="width: 10%;">4.</td><td style="width: 30%;">City/Town:</td><td style="width: 30%;">68670 (SELLERSBURG)</td></tr> <tr><td>98.</td><td>Border Bridge:</td><td></td></tr> <tr><td>99.</td><td>Border Bridge Number:</td><td></td></tr> <tr><td>11.</td><td>Mile Point (over):</td><td>17.6</td></tr> <tr><td>16.</td><td>Latitude:</td><td>38.39634</td></tr> <tr><td>17.</td><td>Longitude:</td><td>-85.808937</td></tr> </table>	4.	City/Town:	68670 (SELLERSBURG)	98.	Border Bridge:		99.	Border Bridge Number:		11.	Mile Point (over):	17.6	16.	Latitude:	38.39634	17.	Longitude:	-85.808937
1.	State:	185 (INDIANA)																																									
8.	NBI Number:	2200101																																									
5.	Inventory Route On:	1-3-1- 111-0																																									
2.	District:	05 (SEYMOUR)																																									
3.	County:	022 (FLOYD)																																									
6.	Feat Intersected:	BRANCH ELK RUN																																									
7.	Facility Carried:	OLD SR 111																																									
9.	Location:	02.10 S SR 60																																									
4.	City/Town:	68670 (SELLERSBURG)																																									
98.	Border Bridge:																																										
99.	Border Bridge Number:																																										
11.	Mile Point (over):	17.6																																									
16.	Latitude:	38.39634																																									
17.	Longitude:	-85.808937																																									

STRUCTURE DATA

<table border="0" style="width: 100%;"> <tr><td style="width: 10%;">43A.</td><td style="width: 30%;">Structure Type - Main Span:</td><td style="width: 30%;">2 (CONTINUOUS CONCRETE)</td></tr> <tr><td>43B.</td><td>Structure Type - Main Span - Const.</td><td>01 (SLAB)</td></tr> <tr><td>107.</td><td>Deck Structure Type:</td><td>1 (CONCRETE CAST-IN-PLACE)</td></tr> <tr><td>108A.</td><td>Wearing Surface:</td><td>1 (MONOLITHIC CONCRETE)</td></tr> <tr><td>108C.</td><td>Protection</td><td>0 (NONE)</td></tr> </table>	43A.	Structure Type - Main Span:	2 (CONTINUOUS CONCRETE)	43B.	Structure Type - Main Span - Const.	01 (SLAB)	107.	Deck Structure Type:	1 (CONCRETE CAST-IN-PLACE)	108A.	Wearing Surface:	1 (MONOLITHIC CONCRETE)	108C.	Protection	0 (NONE)	<table border="0" style="width: 100%;"> <tr><td style="width: 10%;">44.</td><td style="width: 30%;">Structure Type - Approach:</td><td style="width: 30%;">000</td></tr> <tr><td>45.</td><td>Number of Spans - Main:</td><td>3</td></tr> <tr><td>46.</td><td>Number of Spans - Approach:</td><td>0000</td></tr> <tr><td>108B.</td><td>Membrane:</td><td>0 (NONE)</td></tr> </table>	44.	Structure Type - Approach:	000	45.	Number of Spans - Main:	3	46.	Number of Spans - Approach:	0000	108B.	Membrane:	0 (NONE)
43A.	Structure Type - Main Span:	2 (CONTINUOUS CONCRETE)																										
43B.	Structure Type - Main Span - Const.	01 (SLAB)																										
107.	Deck Structure Type:	1 (CONCRETE CAST-IN-PLACE)																										
108A.	Wearing Surface:	1 (MONOLITHIC CONCRETE)																										
108C.	Protection	0 (NONE)																										
44.	Structure Type - Approach:	000																										
45.	Number of Spans - Main:	3																										
46.	Number of Spans - Approach:	0000																										
108B.	Membrane:	0 (NONE)																										

AGE OF SERVICE

<table border="0" style="width: 100%;"> <tr><td style="width: 10%;">27.</td><td style="width: 30%;">Year Built:</td><td style="width: 30%;">1965</td></tr> <tr><td>42A.</td><td>Type of Service Over:</td><td>1 (HIGHWAY)</td></tr> <tr><td>28A.</td><td>Lanes on Structure:</td><td>2</td></tr> <tr><td>29.</td><td>ADT - Over:</td><td>6419 VPD</td></tr> <tr><td>114.</td><td>Future ADT:</td><td>9455 VPD</td></tr> <tr><td>109.</td><td>Average Truck Traffic:</td><td>10 %Trucks</td></tr> </table>	27.	Year Built:	1965	42A.	Type of Service Over:	1 (HIGHWAY)	28A.	Lanes on Structure:	2	29.	ADT - Over:	6419 VPD	114.	Future ADT:	9455 VPD	109.	Average Truck Traffic:	10 %Trucks	<table border="0" style="width: 100%;"> <tr><td style="width: 10%;">106.</td><td style="width: 30%;">Reconstructed:</td><td style="width: 30%;">0</td></tr> <tr><td>42B.</td><td>Type of Service Under:</td><td>5 (WATERWAY)</td></tr> <tr><td>28B.</td><td>Lanes Under Structure:</td><td>0</td></tr> <tr><td>30.</td><td>ADT Year Over:</td><td>2016</td></tr> <tr><td>115.</td><td>Future ADT Year:</td><td>2036</td></tr> <tr><td>19.</td><td>Bypass Detour Length:</td><td>4 mi.</td></tr> </table>	106.	Reconstructed:	0	42B.	Type of Service Under:	5 (WATERWAY)	28B.	Lanes Under Structure:	0	30.	ADT Year Over:	2016	115.	Future ADT Year:	2036	19.	Bypass Detour Length:	4 mi.
27.	Year Built:	1965																																			
42A.	Type of Service Over:	1 (HIGHWAY)																																			
28A.	Lanes on Structure:	2																																			
29.	ADT - Over:	6419 VPD																																			
114.	Future ADT:	9455 VPD																																			
109.	Average Truck Traffic:	10 %Trucks																																			
106.	Reconstructed:	0																																			
42B.	Type of Service Under:	5 (WATERWAY)																																			
28B.	Lanes Under Structure:	0																																			
30.	ADT Year Over:	2016																																			
115.	Future ADT Year:	2036																																			
19.	Bypass Detour Length:	4 mi.																																			

GEOMETRIC DATA

<table border="0" style="width: 100%;"> <tr><td style="width: 10%;">48.</td><td style="width: 30%;">Maximum Span Length:</td><td style="width: 30%;">22 ft.</td></tr> <tr><td>50A.</td><td>Sidewalk/Curb Left:</td><td>0.5 ft.</td></tr> <tr><td>51.</td><td>Bridge Roadway Width:</td><td>41.1 ft.</td></tr> <tr><td>32.</td><td>Approach Roadway Width:</td><td>28 ft.</td></tr> <tr><td>34.</td><td>Skew:</td><td>0 Degree(s)</td></tr> <tr><td>10.</td><td>Defense Vertical Clearance:</td><td>99.99</td></tr> <tr><td>47.</td><td>Total Horiz. Clearance:</td><td>41.1 ft.</td></tr> <tr><td>55A.</td><td>Min Latr. Cl. Right - Code:</td><td>N</td></tr> <tr><td>55B.</td><td>Lateral Right:</td><td>0 ft.</td></tr> </table>	48.	Maximum Span Length:	22 ft.	50A.	Sidewalk/Curb Left:	0.5 ft.	51.	Bridge Roadway Width:	41.1 ft.	32.	Approach Roadway Width:	28 ft.	34.	Skew:	0 Degree(s)	10.	Defense Vertical Clearance:	99.99	47.	Total Horiz. Clearance:	41.1 ft.	55A.	Min Latr. Cl. Right - Code:	N	55B.	Lateral Right:	0 ft.	<table border="0" style="width: 100%;"> <tr><td style="width: 10%;">49.</td><td style="width: 30%;">Structure Length:</td><td style="width: 30%;">57 ft.</td></tr> <tr><td>50B.</td><td>Sidewalk/Curb Right:</td><td>0.5 ft.</td></tr> <tr><td>52.</td><td>Deck Width (O-O)</td><td>44 ft.</td></tr> <tr><td>33.</td><td>Bridge Median:</td><td>0 (NO MEDIAN)</td></tr> <tr><td>35.</td><td>Structure Flared:</td><td>0 (NO FLARE)</td></tr> <tr><td>53.</td><td>Vertical Clearance/Deck:</td><td>99.99 ft.</td></tr> <tr><td>54A.</td><td>Min Vert Clear Code:</td><td>N</td></tr> <tr><td>54B.</td><td>Underclearance:</td><td>0 ft.</td></tr> <tr><td>56.</td><td>Lateral Left:</td><td>0 ft.</td></tr> </table>	49.	Structure Length:	57 ft.	50B.	Sidewalk/Curb Right:	0.5 ft.	52.	Deck Width (O-O)	44 ft.	33.	Bridge Median:	0 (NO MEDIAN)	35.	Structure Flared:	0 (NO FLARE)	53.	Vertical Clearance/Deck:	99.99 ft.	54A.	Min Vert Clear Code:	N	54B.	Underclearance:	0 ft.	56.	Lateral Left:	0 ft.
48.	Maximum Span Length:	22 ft.																																																					
50A.	Sidewalk/Curb Left:	0.5 ft.																																																					
51.	Bridge Roadway Width:	41.1 ft.																																																					
32.	Approach Roadway Width:	28 ft.																																																					
34.	Skew:	0 Degree(s)																																																					
10.	Defense Vertical Clearance:	99.99																																																					
47.	Total Horiz. Clearance:	41.1 ft.																																																					
55A.	Min Latr. Cl. Right - Code:	N																																																					
55B.	Lateral Right:	0 ft.																																																					
49.	Structure Length:	57 ft.																																																					
50B.	Sidewalk/Curb Right:	0.5 ft.																																																					
52.	Deck Width (O-O)	44 ft.																																																					
33.	Bridge Median:	0 (NO MEDIAN)																																																					
35.	Structure Flared:	0 (NO FLARE)																																																					
53.	Vertical Clearance/Deck:	99.99 ft.																																																					
54A.	Min Vert Clear Code:	N																																																					
54B.	Underclearance:	0 ft.																																																					
56.	Lateral Left:	0 ft.																																																					

STRUCTURE INVENTORY AND APPRAISAL REPORT - 2

NBI Number: 2200101
 Facility Carried: OLD SR 111

Bridge Number: 22-00101
 Feature(s) Intersected: BRANCH ELK RUN

NAVIGATION

38. Navigational Control: 0 39. Navigational Vertical Clearance: 0 ft. 111. Pier/Abutment Protection:		40. Navigational Horizontal Clearance: 0 ft. 116. Vertical Clearance - Lift Bridge: ft.
---	--	--

CLASSIFICATION

112. NBIS Bridge Length: Y 104. Highway System - Over: 0 (NOT ON NHS) 26. Func. Class - Over: 07 (RURAL - MAJOR COLLECTOR) 100. Defense Highway Des: 0 102. Direction of Traffic: 2 (2-WAY TRAFFIC) 110. Des. Nat. Network: 0 21. Maint. Responsibility: 02 (COUNTY HIGHWAY AGENCY) 37. Historical Significance: 5 (NOT ELIGIBLE)		12. Base Highway Network: 0 13A. LRS Inventory Route: 13B. LRS Inventory Subroute: 101. Parallel Structure Des: N 103. Temporary Structure Des: 20. Toll: 3 (ON FREE ROAD-NO TOLL) 22. Owner: 02 (COUNTY HIGHWAY AGENCY)
---	--	--

CONDITION

58. Deck:	Material: CONT REINF CONC SLAB	Rating:	6
SATIS - SOUTH EXPAN JOINT DAMAGED, SPALLS NORTH BOUND LANE			
58.01. Wearing Surface:	Material: CONCRETE	Rating:	5
FAIR - LARGE PATCHES & NEW SPALLS, HEAVY WEARING ON SURFACE			
59. Superstructure:	Material: CONT REINF CONC SLAB	Rating:	6
SATIS - SPALLS ALONG CONSTR JOINTS, SPALLS ALONG EAST COPING W/ EXP. REIN. CRACKS IN SOUTH SPAN WITH EFFL., DELAMS IN ALL SPANS.			
60. Substructure:	Material: CONCRETE ON PILES	Rating:	7
GOOD - HAIRLINE CRACKS, LIGHT SCALING			
61. Channel:	Material: RIPRAP & NATURAL	Rating:	6
SATIS - VEGETATION BLOCKING END SPANS, GRAVEL BOTTOM			
62. Culvert/Ret:	Material: N/A	Rating:	N
N/A			

LOAD RATING AND POSTING

31. Design Load: 5 (HS 20) 64. Operating Rating: 36 66. Inventory Rating: 36 66B. Gross Tons or H Rating: 20 Tons 41. Open, Posted, or Closed: A (OPEN)		63. Oper Rating Method: 0 (FIELD EVAL AND ENG JUDGEMENT) 65. Inv Rating Method: 0 (FIELD EVAL AND ENG JUDGEMENT) 66C. Tons Posted: Tons 66D. Date Posted/Closed: 70. Bridge Posting: 5 (EQUAL TO OR ABOVE LEGAL LOADS)
---	--	--

STRUCTURE INVENTORY AND APPRAISAL REPORT - 3

NBI Number: 2200101
Facility Carried: OLD SR 111

Bridge Number: 22-00101
Feature(s) Intersected: BRANCH ELK RUN

APPRAISAL

67.	Structural:	6
68.	Geometry:	5
69.	Underclearance:	N
71.	Waterway Adequacy:	6
36A.	Traffic Safety Features (Bridge Railings):	1 (MEETS ACCEPTABLE STANDARDS)
36B.	Traffic Safety Features (Transitions):	0 (DOES NOT MEET ACCEPTABLE STANDARDS/SAFETY FEATURE IS REQUIRED)
36C.	Traffic Safety Features (Approach Guardrail):	0 (DOES NOT MEET ACCEPTABLE STANDARDS/SAFETY FEATURE IS REQUIRED)
36D.	Traffic Safety Features (Approach Guardrail Ends):	0 (DOES NOT MEET ACCEPTABLE STANDARDS/SAFETY FEATURE IS REQUIRED)
72.	Roadway Alignment:	8 - TANGENT, LEVEL
	Material:	BITUMINOUS
	Comments:	SPALLS AND LONG. CRACKS
113.	Scour Critical Bridges:	8 (STABLE - EXCELLENT CONDITION)
	Comments:	

PROPOSED IMPROVEMENTS

75A.	Type of Work:	35 (REHABILITATE BRIDGE DUE TO SUPERSTRUCTURE DETERIORATION.)
75B.	Work Done By:	1 (CONTRACT)
76.	Improvement Length:	57 ft.
94.	Bridge Improvement Costs:	148 x 1000
95.	Roadway Improvement Costs:	184 x 1000
96.	Total Project Cost:	402 x 1000
97.	Year of Cost Estimate:	2020

RECOMMENDED MAINTENANCE

RECOMMEND INSTALLING CURRENT STD. APPR. RAIL W/END TREATMENT AND ALL B.E.M.'S, AND REPLACING BRIDGE JOINT AND DECK OVERLAY.

INSPECTION DATA

90.	Date:	3/4/2020	91.	Des. Inspection Frequency:	24 Months
92.	Critical Feature Inspection:	A: N	B: N	C: N	
93.	Date:	A:	B:	C:	

Unofficial Sufficiency Rating: 95.2
Unofficial Structural and Functional Classification: 0 (OK)



LOOKING SOUTH FROM ROAD



LOOKING NORTH FROM ROAD



LOOKING WEST UPSTREAM



LOOKING SOUTH AT EAST ARCH COPING



See Additional Photographs

See on Township Map

FLOYD COUNTY - BRIDGE NO. 22-00102
 CHARLESTOWN RD over JACOBS CREEK

STRUCTURE INVENTORY AND APPRAISAL REPORT - 1

NBI Number: 031290 Facility Carried: CHARLESTOWN RD	Bridge Number: 22-00102 Feature(s) Intersected: JACOBS CREEK
--	---

IDENTIFICATION

1. State: 185 (INDIANA) 8. NBI Number: 031290 5. Inventory Route On: 1-4-1- 0-0 2. District: 05 (SEYMOUR) 3. County: 022 (FLOYD) 6. Feat Intersected: JACOBS CREEK 7. Facility Carried: CHARLESTOWN RD 9. Location: 01.00 N I-265	4. City/Town: 52326 (NEW ALBANY) 98. Border Bridge: 99. Border Bridge Number: 11. Mile Point (over): 1.06 16. Latitude: 38.35618 17. Longitude: -85.789101
--	---

STRUCTURE DATA

43A. Structure Type - Main Span: 1 (CONCRETE) 43B. Structure Type - Main Span - Const. 11 (DECK ARCH) 107. Deck Structure Type: 1 (CONCRETE CAST-IN-PLACE) 108A. Wearing Surface: 6 (BITUMINOUS) 108C. Protection 0 (NONE)	44. Structure Type - Approach: 000 45. Number of Spans - Main: 1 46. Number of Spans - Approach: 0000 108B. Membrane: 0 (NONE)
--	---

AGE OF SERVICE

27. Year Built: 1931 42A. Type of Service Over: 1 (HIGHWAY) 28A. Lanes on Structure: 2 29. ADT - Over: 21062 VPD 114. Future ADT: 31046 VPD 109. Average Truck Traffic: 5 %Trucks	106. Reconstructed: 1964 42B. Type of Service Under: 5 (WATERWAY) 28B. Lanes Under Structure: 0 30. ADT Year Over: 2016 115. Future ADT Year: 2036 19. Bypass Detour Length: 4 mi.
--	---

GEOMETRIC DATA

48. Maximum Span Length: 35 ft. 50A. Sidewalk/Curb Left: 0.0 ft. 51. Bridge Roadway Width: 36.7 ft. 32. Approach Roadway Width: 28 ft. 34. Skew: 10 Degree(s) 10. Defense Vertical Clearance: 99.99 47. Total Horiz. Clearance: 36.7 ft. 55A. Min Latr. Cl. Right - Code: N 55B. Lateral Right: 0 ft.	49. Structure Length: 44 ft. 50B. Sidewalk/Curb Right: 0.0 ft. 52. Deck Width (O-O) 38.9 ft. 33. Bridge Median: 0 (NO MEDIAN) 35. Structure Flared: 0 (NO FLARE) 53. Vertical Clearance/Deck: 99.99 ft. 54A. Min Vert Clear Code: N 54B. Underclearance: 0 ft. 56. Lateral Left: 0 ft.
---	--

STRUCTURE INVENTORY AND APPRAISAL REPORT - 2

NBI Number: 031290 Facility Carried: CHARLESTOWN RD	Bridge Number: 22-00102 Feature(s) Intersected: JACOBS CREEK
--	---

NAVIGATION

38. Navigational Control: 0	40. Navigational Horizontal Clearance: 0 ft.
39. Navigational Vertical Clearance: 0 ft.	116. Vertical Clearance - Lift Bridge: ft.
111. Pier/Abutment Protection:	

CLASSIFICATION

112. NBIS Bridge Length: Y	12. Base Highway Network: 0
104. Highway System - Over: 0 (NOT ON NHS)	13A. LRS Inventory Route:
26. Func. Class - Over: 16 (URBAN - MINOR ARTERIAL)	13B. LRS Inventory Subroute:
100. Defense Highway Des: 0	101. Parallel Structure Des: N
102. Direction of Traffic: 2 (2-WAY TRAFFIC)	103. Temporary Structure Des:
110. Des. Nat. Network: 0	20. Toll: 3 (ON FREE ROAD-NO TOLL)
21. Maint. Responsibility: 02 (COUNTY HIGHWAY AGENCY)	22. Owner: 02 (COUNTY HIGHWAY AGENCY)
37. Historical Significance: 5 (NOT ELIGIBLE)	

CONDITION

58. Deck: GOOD - NO MAJOR DEFECTS	Material: CONCRETE PCBB	Rating: 7	
58.01. Wearing Surface: SATIS - CRACKS	Material: BITUMINOUS (4")	Rating: 6	
59. Superstructure: SATIS - SPALL AREAS PATCHED, APPROX 16' LONG CRACK IN BEAM 2 FROM N HAS BEEN PATCHED. EFFL. IN PATCHES AT NORTH ARCH. COPING, WATER SEEPAGE WITH EFFL. BETWEEN BOX BEAMS	Material: CONCRETE ARCH WWIDENED BOX BEAMS	Rating: 6	
60. Substructure: GOOD - PATCHED SPALL AREAS	Material: CONCRETE	Rating: 7	
61. Channel: SATIS - LOCAL SCOUR, SILT DEPOSITS	Material: RIPRAP & NATURAL	Rating: 6	
62. Culvert/Ret: N/A	Material: N/A	Rating: N	

LOAD RATING AND POSTING

31. Design Load: 4 (H 20)	63. Oper Rating Method: 0 (FIELD EVAL AND ENG JUDGEMENT)
64. Operating Rating: 36	65. Inv Rating Method: 0 (FIELD EVAL AND ENG JUDGEMENT)
66. Inventory Rating: 36	66C. Tons Posted: Tons
66B. Gross Tons or H Rating: 20 Tons	66D. Date Posted/Closed:
41. Open, Posted, or Closed: A (OPEN)	70. Bridge Posting: 5 (EQUAL TO OR ABOVE LEGAL LOADS)

STRUCTURE INVENTORY AND APPRAISAL REPORT - 3

NBI Number: 031290
Facility Carried: CHARLESTOWN RD

Bridge Number: 22-00102
Feature(s) Intersected: JACOBS CREEK

APPRAISAL

67.	Structural:	6
68.	Geometry:	4
69.	Underclearance:	N
71.	Waterway Adequacy:	7
36A.	Traffic Safety Features (Bridge Railings):	0 (DOES NOT MEET ACCEPTABLE STANDARDS/SAFETY FEATURE IS REQUIRED)
36B.	Traffic Safety Features (Transitions):	0 (DOES NOT MEET ACCEPTABLE STANDARDS/SAFETY FEATURE IS REQUIRED)
36C.	Traffic Safety Features (Approach Guardrail):	1 (MEETS ACCEPTABLE STANDARDS)
36D.	Traffic Safety Features (Approach Guardrail Ends):	0 (DOES NOT MEET ACCEPTABLE STANDARDS/SAFETY FEATURE IS REQUIRED)
72.	Roadway Alignment:	8 - TANGENT, NEAR LEVEL AT BRIDGE WITH UPGRADE TO HILL BOTH APPROACHES
	Material:	BITUMINOUS
	Comments:	LONG. AND TRANS. CRACKS
113.	Scour Critical Bridges:	8 (STABLE - EXCELLENT CONDITION)
	Comments:	

PROPOSED IMPROVEMENTS

75A.	Type of Work:	(NO WORK NEEDED.)
75B.	Work Done By:	0
76.	Improvement Length:	0 ft.
94.	Bridge Improvement Costs:	0 x 1000
95.	Roadway Improvement Costs:	0 x 1000
96.	Total Project Cost:	0 x 1000
97.	Year of Cost Estimate:	

RECOMMENDED MAINTENANCE

RECOMMEND INSTALLING CURRENT STD. BRIDGE GUARDRAIL, NW & SW B.E.M.'S.

INSPECTION DATA

90.	Date:	3/4/2020	91.	Des. Inspection Frequency:	24 Months
92.	Critical Feature Inspection:	A: N	B: N	C: N	
93.	Date:	A:	B:	C:	
	Unofficial Sufficiency Rating:	89.9			
	Unofficial Structural and Functional Classification:	0 (OK)			



LOOKING NORTH FROM ROAD



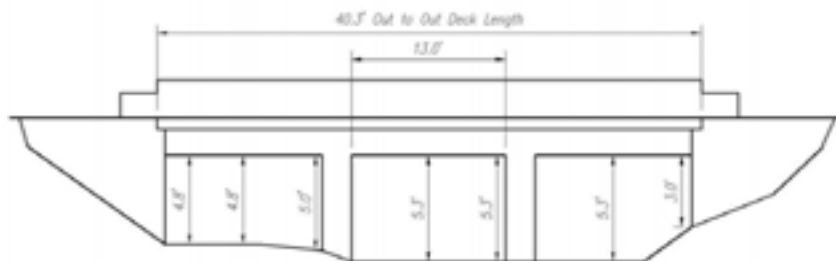
LOOKING SOUTH FROM ROAD



LOOKING EAST DOWNSTREAM



LOOKING WEST AT RUSTED CENTER SPAN METAL



See Additional Photographs

See on Township Map

STRUCTURE INVENTORY AND APPRAISAL REPORT - 1

NBI Number: 2200103
 Facility Carried: ASHBURY DRIVE

Bridge Number: 22-00103
 Feature(s) Intersected: BALD KNOB CREEK

IDENTIFICATION

1.	State:	185 (INDIANA)	4.	City/Town:	52326 (NEW ALBANY)
8.	NBI Number:	2200103			
5.	Inventory Route On:	1-5-1- 0-0	98.	Border Bridge:	
2.	District:	05 (SEYMOUR)	99.	Border Bridge Number:	
3.	County:	022 (FLOYD)			
6.	Feat Intersected:	BALD KNOB CREEK	11.	Mile Point (over):	0
7.	Facility Carried:	ASHBURY DRIVE	16.	Latitude:	38.35423
9.	Location:	00.10 NE OF ST JOSEPH RD	17.	Longitude:	-85.810806

STRUCTURE DATA

43A.	Structure Type - Main Span:	1 (CONCRETE)	44.	Structure Type - Approach:	000
43B.	Structure Type - Main Span - Const.	01 (SLAB)	45.	Number of Spans - Main:	3
107.	Deck Structure Type:	1 (CONCRETE CAST-IN-PLACE)	46.	Number of Spans - Approach:	0000
108A.	Wearing Surface:	1 (MONOLITHIC CONCRETE)	108B.	Membrane:	0 (NONE)
108C.	Protection	8 (UNKNOWN)			

AGE OF SERVICE

27.	Year Built:	1996	106.	Reconstructed:	0
42A.	Type of Service Over:	5 (HIGHWAY/PEDESTRIAN)	42B.	Type of Service Under:	5 (WATERWAY)
28A.	Lanes on Structure:	2	28B.	Lanes Under Structure:	0
29.	ADT - Over:	52 VPD	30.	ADT Year Over:	2014
114.	Future ADT:	77 VPD	115.	Future ADT Year:	2034
109.	Average Truck Traffic:	1 %Trucks	19.	Bypass Detour Length:	999 mi.

GEOMETRIC DATA

48.	Maximum Span Length:	13.5 ft.	49.	Structure Length:	40.2 ft.
50A.	Sidewalk/Curb Left:	0.0 ft.	50B.	Sidewalk/Curb Right:	0.0 ft.
51.	Bridge Roadway Width:	28 ft.	52.	Deck Width (O-O)	30 ft.
32.	Approach Roadway Width:	28 ft.	33.	Bridge Median:	0 (NO MEDIAN)
34.	Skew:	45 Degree(s)	35.	Structure Flared:	0 (NO FLARE)
10.	Defense Vertical Clearance:	99.99	53.	Vertical Clearance/Deck:	99.99 ft.
47.	Total Horiz. Clearance:	28.2 ft.	54A.	Min Vert Clear Code:	N
55A.	Min Latr. Cl. Right - Code:	N	54B.	Underclearance:	0 ft.
55B.	Lateral Right:	0 ft.	56.	Lateral Left:	0 ft.

STRUCTURE INVENTORY AND APPRAISAL REPORT - 2

NBI Number: 2200103 Facility Carried: ASHBURY DRIVE	Bridge Number: 22-00103 Feature(s) Intersected: BALD KNOB CREEK
--	--

NAVIGATION

38. Navigational Control: 0	40. Navigational Horizontal Clearance: 0 ft.
39. Navigational Vertical Clearance: 0 ft.	116. Vertical Clearance - Lift Bridge: ft.
111. Pier/Abutment Protection:	

CLASSIFICATION

112. NBIS Bridge Length: Y	12. Base Highway Network: 0
104. Highway System - Over: 0 (NOT ON NHS)	13A. LRS Inventory Route:
26. Func. Class - Over: 16 (URBAN - MINOR ARTERIAL)	13B. LRS Inventory Subroute:
100. Defense Highway Des: 0	101. Parallel Structure Des: N
102. Direction of Traffic: 2 (2-WAY TRAFFIC)	103. Temporary Structure Des:
110. Des. Nat. Network: 0	20. Toll: 3 (ON FREE ROAD-NO TOLL)
21. Maint. Responsibility: 02 (COUNTY HIGHWAY AGENCY)	22. Owner: 02 (COUNTY HIGHWAY AGENCY)
37. Historical Significance: 5 (NOT ELIGIBLE)	

CONDITION

58. Deck: SATIS - LONG. CRACK AT CENTERLINE	Material: CONCRETE SLAB	Rating: 6
58.01. Wearing Surface: SATIS - MANY POPOUTS, MED SCALING	Material: CONCRETE	Rating: 6
59. Superstructure: SATIS - LIGHT SCALING, METAL FORMWORK HAS HEAVY RUST	Material: CONCRETE SLAB	Rating: 6
60. Substructure: SATIS - UNDERCUT AT INLET, LT SCALING. PIER #2 - FOOTING EXPOSED AT WEST END, NO SIGNIFICANT UNDERCUT, VERTICAL CRACKS IN END BENTS. PIERS HAVE 1/8" VERT. CRACKS AT CENTERLINE.	Material: CONCRETE	Rating: 6
61. Channel: SATIS - DRIFT AT INLET, CRACKED CTR SPAN	Material: CONCRETE BOTTOM	Rating: 6
62. Culvert/Ret: N/A	Material: N/A	Rating: N

LOAD RATING AND POSTING

31. Design Load: 0 (UNKNOWN)	63. Oper Rating Method: 0 (FIELD EVAL AND ENG JUDGEMENT)
64. Operating Rating: 36	65. Inv Rating Method: 0 (FIELD EVAL AND ENG JUDGEMENT)
66. Inventory Rating: 36	66C. Tons Posted: Tons
66B. Gross Tons or H Rating: 20 Tons	66D. Date Posted/Closed:
41. Open, Posted, or Closed: A (OPEN)	70. Bridge Posting: 5 (EQUAL TO OR ABOVE LEGAL LOADS)

STRUCTURE INVENTORY AND APPRAISAL REPORT - 3

NBI Number: 2200103
Facility Carried: ASHBURY DRIVE

Bridge Number: 22-00103
Feature(s) Intersected: BALD KNOB CREEK

APPRAISAL

67.	Structural:	6
68.	Geometry:	7
69.	Underclearance:	N
71.	Waterway Adequacy:	6
36A.	Traffic Safety Features (Bridge Railings):	1 (MEETS ACCEPTABLE STANDARDS)
36B.	Traffic Safety Features (Transitions):	0 (DOES NOT MEET ACCEPTABLE STANDARDS/SAFETY FEATURE IS REQUIRED)
36C.	Traffic Safety Features (Approach Guardrail):	0 (DOES NOT MEET ACCEPTABLE STANDARDS/SAFETY FEATURE IS REQUIRED)
36D.	Traffic Safety Features (Approach Guardrail Ends):	0 (DOES NOT MEET ACCEPTABLE STANDARDS/SAFETY FEATURE IS REQUIRED)
72.	Roadway Alignment:	6 - TANGENT, AT GRADE, DRIVES TO THE NW AND SE
	Material:	BITUMINOUS
	Comments:	NO MAJOR DEFECTS
113.	Scour Critical Bridges:	8 (STABLE - EXCELLENT CONDITION)
	Comments:	

PROPOSED IMPROVEMENTS

75A.	Type of Work:	(NO WORK NEEDED.)
75B.	Work Done By:	0
76.	Improvement Length:	0 ft.
94.	Bridge Improvement Costs:	0 x 1000
95.	Roadway Improvement Costs:	0 x 1000
96.	Total Project Cost:	0 x 1000
97.	Year of Cost Estimate:	

RECOMMENDED MAINTENANCE

RECOMMEND INSTALLING CURRENT STD. APPR. RAIL W/END TREATMENT, AND CLEANING DEBRIS IN CHANNEL.

INSPECTION DATA

90.	Date:	3/4/2020	91.	Des. Inspection Frequency:	48 Months
92.	Critical Feature Inspection:	A: N	B: N	C: N	
93.	Date:	A:	B:	C:	
	Unofficial Sufficiency Rating:	92.5			
	Unofficial Structural and Functional Classification:	0 (OK)			



LOOKING NORTH AT ROAD



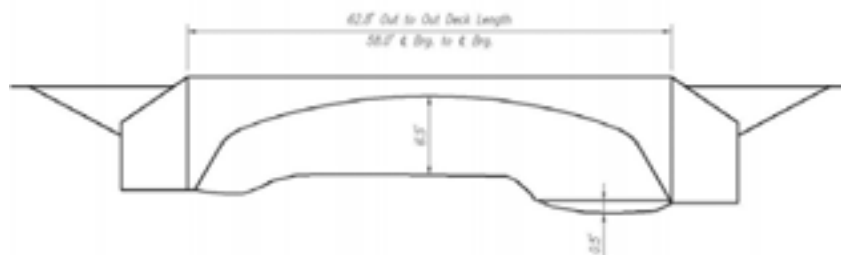
LOOKING SOUTH AT ROAD



LOOKING EAST DOWNSTREAM



LOOKING SOUTH AT PRECAST UNITS



See Additional
Photographs

See on
Township Map

FLOYD COUNTY - BRIDGE NO. 22-00104
ENDRES PARKWAY over JACOBS CREEK

STRUCTURE INVENTORY AND APPRAISAL REPORT - 1

NBI Number: 2200110 Facility Carried: ENDRES PARKWAY	Bridge Number: 22-00104 Feature(s) Intersected: JACOBS CREEK
---	---

IDENTIFICATION

1. State: 185 (INDIANA) 8. NBI Number: 2200110 5. Inventory Route On: 1-5-1- 0-0 2. District: 05 (SEYMOUR) 3. County: 022 (FLOYD) 6. Feat Intersected: JACOBS CREEK 7. Facility Carried: ENDRES PARKWAY 9. Location: 0.15 MI. N CHARLESTOWN RD	4. City/Town: 52326 (NEW ALBANY) 98. Border Bridge: 99. Border Bridge Number: 11. Mile Point (over): 0 16. Latitude: 38.35546 17. Longitude: -85.79443
---	---

STRUCTURE DATA

43A. Structure Type - Main Span: 1 (CONCRETE) 43B. Structure Type - Main Span - Const. 19 (CULVERT) 107. Deck Structure Type: N (N/A - UNDER FILL) 108A. Wearing Surface: 6 (BITUMINOUS) 108C. Protection N (N/A)	44. Structure Type - Approach: 000 45. Number of Spans - Main: 1 46. Number of Spans - Approach: 0 108B. Membrane: N (N/A)
---	---

AGE OF SERVICE

27. Year Built: 2016 42A. Type of Service Over: 1 (HIGHWAY) 28A. Lanes on Structure: 2 29. ADT - Over: 0 VPD 114. Future ADT: 500 VPD 109. Average Truck Traffic: 0 %Trucks	106. Reconstructed: 0 42B. Type of Service Under: 5 (WATERWAY) 28B. Lanes Under Structure: 0 30. ADT Year Over: 2016 115. Future ADT Year: 2036 19. Bypass Detour Length: 199 mi.
--	--

GEOMETRIC DATA

48. Maximum Span Length: 58 ft. 50A. Sidewalk/Curb Left: 0.5 ft. 51. Bridge Roadway Width: 22.5 ft. 32. Approach Roadway Width: 22.5 ft. 34. Skew: 0 Degree(s) 10. Defense Vertical Clearance: 99.99 47. Total Horiz. Clearance: 99.9 ft. 55A. Min Latr. Cl. Right - Code: N 55B. Lateral Right: 0 ft.	49. Structure Length: 62.8 ft. 50B. Sidewalk/Curb Right: 8.0 ft. 52. Deck Width (O-O) 36 ft. 33. Bridge Median: 0 (NO MEDIAN) 35. Structure Flared: 0 (NO FLARE) 53. Vertical Clearance/Deck: 99.99 ft. 54A. Min Vert Clear Code: N 54B. Underclearance: 0 ft. 56. Lateral Left: 0 ft.
--	--

STRUCTURE INVENTORY AND APPRAISAL REPORT - 2

NBI Number: 2200110 Facility Carried: ENDRES PARKWAY	Bridge Number: 22-00104 Feature(s) Intersected: JACOBS CREEK
---	---

NAVIGATION

38. Navigational Control: 0	40. Navigational Horizontal Clearance: 0 ft.
39. Navigational Vertical Clearance: 0 ft.	116. Vertical Clearance - Lift Bridge: ft.
111. Pier/Abutment Protection:	

CLASSIFICATION

112. NBIS Bridge Length: Y	12. Base Highway Network: 0
104. Highway System - Over: 0 (NOT ON NHS)	13A. LRS Inventory Route:
26. Func. Class - Over: 16 (URBAN - MINOR ARTERIAL)	13B. LRS Inventory Subroute:
100. Defense Highway Des: 0	101. Parallel Structure Des: N
102. Direction of Traffic: 2 (2-WAY TRAFFIC)	103. Temporary Structure Des:
110. Des. Nat. Network: 0	20. Toll: 3 (ON FREE ROAD-NO TOLL)
21. Maint. Responsibility: 02 (COUNTY HIGHWAY AGENCY)	22. Owner: 02 (COUNTY HIGHWAY AGENCY)
37. Historical Significance: 5 (NOT ELIGIBLE)	

CONDITION

58. Deck: N/A	Material: N/A	Rating:	N
58.01. Wearing Surface: VERY GOOD - SURFACE IN PLACE	Material: BITUMINOUS (4")	Rating:	8
59. Superstructure: N/A	Material: N/A	Rating:	N
60. Substructure: N/A	Material: N/A	Rating:	N
61. Channel: GOOD - AGGRADATION SAND/ GRAVEL BAR UNDER STR., FLOW IS ALONG S ABUTMENT	Material: N/A	Rating:	7
62. Culvert/Ret: VERY GOOD - 9" X 15" SPALL W/ EXP. REIN. IN BOT OF E PRECAST COPING SECTION, MULTIPLE HL CRACKS IN COPING EXTEND ACROSS SECTION ON BOTTOM	Material: PRECAST CONCRETE ARCH	Rating:	8

LOAD RATING AND POSTING

31. Design Load: 9 (HS 25 OR GREATER)	63. Oper Rating Method: 0 (FIELD EVAL AND ENG JUDGEMENT)
64. Operating Rating: 36	65. Inv Rating Method: 0 (FIELD EVAL AND ENG JUDGEMENT)
66. Inventory Rating: 36	66C. Tons Posted: Tons
66B. Gross Tons or H Rating: 20 Tons	66D. Date Posted/Closed:
41. Open, Posted, or Closed: A (OPEN)	70. Bridge Posting: 5 (EQUAL TO OR ABOVE LEGAL LOADS)

STRUCTURE INVENTORY AND APPRAISAL REPORT - 3

NBI Number: 2200110
Facility Carried: ENDRES PARKWAY

Bridge Number: 22-00104
Feature(s) Intersected: JACOBS CREEK

APPRAISAL

67.	Structural:	8
68.	Geometry:	5
69.	Underclearance:	N
71.	Waterway Adequacy:	7
36A.	Traffic Safety Features (Bridge Railings):	0 (DOES NOT MEET ACCEPTABLE STANDARDS/SAFETY FEATURE IS REQUIRED)
36B.	Traffic Safety Features (Transitions):	0 (DOES NOT MEET ACCEPTABLE STANDARDS/SAFETY FEATURE IS REQUIRED)
36C.	Traffic Safety Features (Approach Guardrail):	0 (DOES NOT MEET ACCEPTABLE STANDARDS/SAFETY FEATURE IS REQUIRED)
36D.	Traffic Safety Features (Approach Guardrail Ends):	0 (DOES NOT MEET ACCEPTABLE STANDARDS/SAFETY FEATURE IS REQUIRED)
72.	Roadway Alignment:	8 - STR. STILL UNDER CONSTRUCTION, LEADS TO SPORTS PARK
	Material:	ASPHALT
	Comments:	ASPHALT SURFACE
113.	Scour Critical Bridges:	8 (STABLE - EXCELLENT CONDITION)
	Comments:	

PROPOSED IMPROVEMENTS

75A.	Type of Work:	(NO WORK NEEDED.)
75B.	Work Done By:	0
76.	Improvement Length:	0 ft.
94.	Bridge Improvement Costs:	0 x 1000
95.	Roadway Improvement Costs:	0 x 1000
96.	Total Project Cost:	0 x 1000
97.	Year of Cost Estimate:	

RECOMMENDED MAINTENANCE

RECOMMEND INSTALLING CURRENT STD. BRIDGE & APPR. RAIL W/END TREATMENT AND ALL B.E.M.'S.

INSPECTION DATA

90.	Date:	3/4/2020	91.	Des. Inspection Frequency:	24 Months
92.	Critical Feature Inspection:	A: N	B: N	C: N	
93.	Date:	A:	B:	C:	
	Unofficial Sufficiency Rating:	91.0			
	Unofficial Structural and Functional Classification:	0 (OK)			



LOOKING EAST FROM ROAD



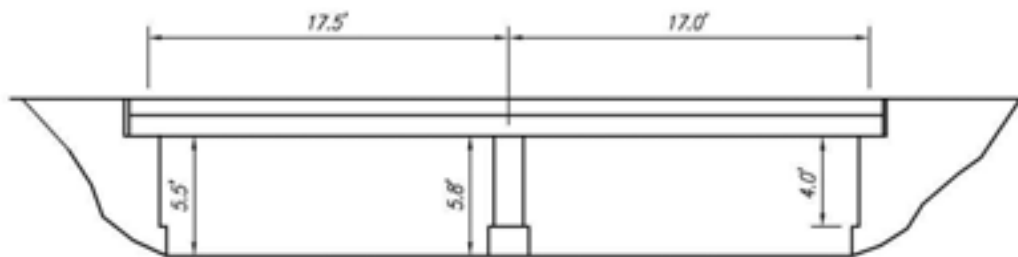
LOOKING WEST FROM ROAD



LOOKING NORTH FROM CHANNEL



EAST SPAN UNDERSIDE



See Additional Photographs

See on Township Map

FLOYD COUNTY - BRIDGE NO. 22-00105
 BEAR CREEK ROAD over BEAR CREEK

STRUCTURE INVENTORY AND APPRAISAL REPORT - 1

NBI Number: 2200111 Facility Carried: BEAR CREEK ROAD	Bridge Number: 22-00105 Feature(s) Intersected: BEAR CREEK
--	---

IDENTIFICATION

<table style="width: 100%; border-collapse: collapse;"> <tr><td style="width: 10%;">1.</td><td style="width: 30%;">State:</td><td style="width: 30%;">185 (INDIANA)</td></tr> <tr><td>8.</td><td>NBI Number:</td><td>2200111</td></tr> <tr><td>5.</td><td>Inventory Route On:</td><td>1-4-2- 0-0</td></tr> <tr><td>2.</td><td>District:</td><td>05 (SEYMOUR)</td></tr> <tr><td>3.</td><td>County:</td><td>022 (FLOYD)</td></tr> <tr><td>6.</td><td>Feat Intersected:</td><td>BEAR CREEK</td></tr> <tr><td>7.</td><td>Facility Carried:</td><td>BEAR CREEK ROAD</td></tr> <tr><td>9.</td><td>Location:</td><td>0.1 mi. E. of SR-335</td></tr> </table>	1.	State:	185 (INDIANA)	8.	NBI Number:	2200111	5.	Inventory Route On:	1-4-2- 0-0	2.	District:	05 (SEYMOUR)	3.	County:	022 (FLOYD)	6.	Feat Intersected:	BEAR CREEK	7.	Facility Carried:	BEAR CREEK ROAD	9.	Location:	0.1 mi. E. of SR-335	<table style="width: 100%; border-collapse: collapse;"> <tr><td style="width: 10%;">4.</td><td style="width: 30%;">City/Town:</td><td style="width: 30%;">00000 ()</td></tr> <tr><td>98.</td><td>Border Bridge:</td><td></td></tr> <tr><td>99.</td><td>Border Bridge Number:</td><td></td></tr> <tr><td>11.</td><td>Mile Point (over):</td><td>0</td></tr> <tr><td>16.</td><td>Latitude:</td><td>38.41802</td></tr> <tr><td>17.</td><td>Longitude:</td><td>-86.02766</td></tr> </table>	4.	City/Town:	00000 ()	98.	Border Bridge:		99.	Border Bridge Number:		11.	Mile Point (over):	0	16.	Latitude:	38.41802	17.	Longitude:	-86.02766
1.	State:	185 (INDIANA)																																									
8.	NBI Number:	2200111																																									
5.	Inventory Route On:	1-4-2- 0-0																																									
2.	District:	05 (SEYMOUR)																																									
3.	County:	022 (FLOYD)																																									
6.	Feat Intersected:	BEAR CREEK																																									
7.	Facility Carried:	BEAR CREEK ROAD																																									
9.	Location:	0.1 mi. E. of SR-335																																									
4.	City/Town:	00000 ()																																									
98.	Border Bridge:																																										
99.	Border Bridge Number:																																										
11.	Mile Point (over):	0																																									
16.	Latitude:	38.41802																																									
17.	Longitude:	-86.02766																																									

STRUCTURE DATA

<table style="width: 100%; border-collapse: collapse;"> <tr><td style="width: 10%;">43A.</td><td style="width: 30%;">Structure Type - Main Span:</td><td style="width: 30%;">3 (STEEL)</td></tr> <tr><td>43B.</td><td>Structure Type - Main Span - Const.</td><td>02 (GIRDER)</td></tr> <tr><td>107.</td><td>Deck Structure Type:</td><td>1 (CONCRETE CAST-IN-PLACE)</td></tr> <tr><td>108A.</td><td>Wearing Surface:</td><td>1 (MONOLITHIC CONCRETE)</td></tr> <tr><td>108C.</td><td>Protection</td><td>1 (EPOXY COATED REINFORCING)</td></tr> </table>	43A.	Structure Type - Main Span:	3 (STEEL)	43B.	Structure Type - Main Span - Const.	02 (GIRDER)	107.	Deck Structure Type:	1 (CONCRETE CAST-IN-PLACE)	108A.	Wearing Surface:	1 (MONOLITHIC CONCRETE)	108C.	Protection	1 (EPOXY COATED REINFORCING)	<table style="width: 100%; border-collapse: collapse;"> <tr><td style="width: 10%;">44.</td><td style="width: 30%;">Structure Type - Approach:</td><td style="width: 30%;">000</td></tr> <tr><td>45.</td><td>Number of Spans - Main:</td><td>2</td></tr> <tr><td>46.</td><td>Number of Spans - Approach:</td><td>0</td></tr> <tr><td>108B.</td><td>Membrane:</td><td>0 (NONE)</td></tr> </table>	44.	Structure Type - Approach:	000	45.	Number of Spans - Main:	2	46.	Number of Spans - Approach:	0	108B.	Membrane:	0 (NONE)
43A.	Structure Type - Main Span:	3 (STEEL)																										
43B.	Structure Type - Main Span - Const.	02 (GIRDER)																										
107.	Deck Structure Type:	1 (CONCRETE CAST-IN-PLACE)																										
108A.	Wearing Surface:	1 (MONOLITHIC CONCRETE)																										
108C.	Protection	1 (EPOXY COATED REINFORCING)																										
44.	Structure Type - Approach:	000																										
45.	Number of Spans - Main:	2																										
46.	Number of Spans - Approach:	0																										
108B.	Membrane:	0 (NONE)																										

AGE OF SERVICE

<table style="width: 100%; border-collapse: collapse;"> <tr><td style="width: 10%;">27.</td><td style="width: 30%;">Year Built:</td><td style="width: 30%;">2019</td></tr> <tr><td>42A.</td><td>Type of Service Over:</td><td>1 (HIGHWAY)</td></tr> <tr><td>28A.</td><td>Lanes on Structure:</td><td>1</td></tr> <tr><td>29.</td><td>ADT - Over:</td><td>50 VPD</td></tr> <tr><td>114.</td><td>Future ADT:</td><td>50 VPD</td></tr> <tr><td>109.</td><td>Average Truck Traffic:</td><td>5 %Trucks</td></tr> </table>	27.	Year Built:	2019	42A.	Type of Service Over:	1 (HIGHWAY)	28A.	Lanes on Structure:	1	29.	ADT - Over:	50 VPD	114.	Future ADT:	50 VPD	109.	Average Truck Traffic:	5 %Trucks	<table style="width: 100%; border-collapse: collapse;"> <tr><td style="width: 10%;">106.</td><td style="width: 30%;">Reconstructed:</td><td style="width: 30%;">0</td></tr> <tr><td>42B.</td><td>Type of Service Under:</td><td>5 (WATERWAY)</td></tr> <tr><td>28B.</td><td>Lanes Under Structure:</td><td>0</td></tr> <tr><td>30.</td><td>ADT Year Over:</td><td>2019</td></tr> <tr><td>115.</td><td>Future ADT Year:</td><td>2039</td></tr> <tr><td>19.</td><td>Bypass Detour Length:</td><td>3 mi.</td></tr> </table>	106.	Reconstructed:	0	42B.	Type of Service Under:	5 (WATERWAY)	28B.	Lanes Under Structure:	0	30.	ADT Year Over:	2019	115.	Future ADT Year:	2039	19.	Bypass Detour Length:	3 mi.
27.	Year Built:	2019																																			
42A.	Type of Service Over:	1 (HIGHWAY)																																			
28A.	Lanes on Structure:	1																																			
29.	ADT - Over:	50 VPD																																			
114.	Future ADT:	50 VPD																																			
109.	Average Truck Traffic:	5 %Trucks																																			
106.	Reconstructed:	0																																			
42B.	Type of Service Under:	5 (WATERWAY)																																			
28B.	Lanes Under Structure:	0																																			
30.	ADT Year Over:	2019																																			
115.	Future ADT Year:	2039																																			
19.	Bypass Detour Length:	3 mi.																																			

GEOMETRIC DATA

<table style="width: 100%; border-collapse: collapse;"> <tr><td style="width: 10%;">48.</td><td style="width: 30%;">Maximum Span Length:</td><td style="width: 30%;">17.5 ft.</td></tr> <tr><td>50A.</td><td>Sidewalk/Curb Left:</td><td>0.0 ft.</td></tr> <tr><td>51.</td><td>Bridge Roadway Width:</td><td>13 ft.</td></tr> <tr><td>32.</td><td>Approach Roadway Width:</td><td>13.5 ft.</td></tr> <tr><td>34.</td><td>Skew:</td><td>34 Degree(s)</td></tr> <tr><td>10.</td><td>Defense Vertical Clearance:</td><td>99.99</td></tr> <tr><td>47.</td><td>Total Horiz. Clearance:</td><td>13 ft.</td></tr> <tr><td>55A.</td><td>Min Latr. Cl. Right - Code:</td><td>N</td></tr> <tr><td>55B.</td><td>Lateral Right:</td><td>0 ft.</td></tr> </table>	48.	Maximum Span Length:	17.5 ft.	50A.	Sidewalk/Curb Left:	0.0 ft.	51.	Bridge Roadway Width:	13 ft.	32.	Approach Roadway Width:	13.5 ft.	34.	Skew:	34 Degree(s)	10.	Defense Vertical Clearance:	99.99	47.	Total Horiz. Clearance:	13 ft.	55A.	Min Latr. Cl. Right - Code:	N	55B.	Lateral Right:	0 ft.	<table style="width: 100%; border-collapse: collapse;"> <tr><td style="width: 10%;">49.</td><td style="width: 30%;">Structure Length:</td><td style="width: 30%;">36 ft.</td></tr> <tr><td>50B.</td><td>Sidewalk/Curb Right:</td><td>0.0 ft.</td></tr> <tr><td>52.</td><td>Deck Width (O-O)</td><td>13.5 ft.</td></tr> <tr><td>33.</td><td>Bridge Median:</td><td>0 (NO MEDIAN)</td></tr> <tr><td>35.</td><td>Structure Flared:</td><td>0 (NO FLARE)</td></tr> <tr><td>53.</td><td>Vertical Clearance/Deck:</td><td>99.99 ft.</td></tr> <tr><td>54A.</td><td>Min Vert Clear Code:</td><td>N</td></tr> <tr><td>54B.</td><td>Underclearance:</td><td>0 ft.</td></tr> <tr><td>56.</td><td>Lateral Left:</td><td>0 ft.</td></tr> </table>	49.	Structure Length:	36 ft.	50B.	Sidewalk/Curb Right:	0.0 ft.	52.	Deck Width (O-O)	13.5 ft.	33.	Bridge Median:	0 (NO MEDIAN)	35.	Structure Flared:	0 (NO FLARE)	53.	Vertical Clearance/Deck:	99.99 ft.	54A.	Min Vert Clear Code:	N	54B.	Underclearance:	0 ft.	56.	Lateral Left:	0 ft.
48.	Maximum Span Length:	17.5 ft.																																																					
50A.	Sidewalk/Curb Left:	0.0 ft.																																																					
51.	Bridge Roadway Width:	13 ft.																																																					
32.	Approach Roadway Width:	13.5 ft.																																																					
34.	Skew:	34 Degree(s)																																																					
10.	Defense Vertical Clearance:	99.99																																																					
47.	Total Horiz. Clearance:	13 ft.																																																					
55A.	Min Latr. Cl. Right - Code:	N																																																					
55B.	Lateral Right:	0 ft.																																																					
49.	Structure Length:	36 ft.																																																					
50B.	Sidewalk/Curb Right:	0.0 ft.																																																					
52.	Deck Width (O-O)	13.5 ft.																																																					
33.	Bridge Median:	0 (NO MEDIAN)																																																					
35.	Structure Flared:	0 (NO FLARE)																																																					
53.	Vertical Clearance/Deck:	99.99 ft.																																																					
54A.	Min Vert Clear Code:	N																																																					
54B.	Underclearance:	0 ft.																																																					
56.	Lateral Left:	0 ft.																																																					

STRUCTURE INVENTORY AND APPRAISAL REPORT - 2

NBI Number: 2200111 Facility Carried: BEAR CREEK ROAD	Bridge Number: 22-00105 Feature(s) Intersected: BEAR CREEK
--	---

NAVIGATION

38. Navigational Control: 0	40. Navigational Horizontal Clearance: 0 ft.
39. Navigational Vertical Clearance: 0 ft.	116. Vertical Clearance - Lift Bridge: ft.
111. Pier/Abutment Protection:	

CLASSIFICATION

112. NBIS Bridge Length: Y	12. Base Highway Network: 0
104. Highway System - Over: 0 (NOT ON NHS)	13A. LRS Inventory Route:
26. Func. Class - Over: 09 (RURAL - LOCAL)	13B. LRS Inventory Subroute:
100. Defense Highway Des: 0	101. Parallel Structure Des: N
102. Direction of Traffic: 3 (ONE LANE BRIDGE FOR 2-WAY TRAFFIC)	103. Temporary Structure Des:
110. Des. Nat. Network: 0	20. Toll: 3 (ON FREE ROAD-NO TOLL)
21. Maint. Responsibility: 02 (COUNTY HIGHWAY AGENCY)	22. Owner: 02 (COUNTY HIGHWAY AGENCY)
37. Historical Significance: 5 (NOT ELIGIBLE)	

CONDITION

58. Deck: VERY GOOD - NO MAJOR DEFECTS NOTED	Material: CONCRETE	Rating: 8
58.01. Wearing Surface: VERY GOOD - NO MAJOR DEFECTS NOTED	Material: CONCRETE	Rating: 8
59. Superstructure: VERY GOOD - NO MAJOR DEFECTS NOTED	Material: STEEL BEAM	Rating: 8
60. Substructure: GOOD - SPALL NEAR BEARING AT NORTH END OF PIER	Material: CONCRETE	Rating: 7
61. Channel: GOOD - NO MAJOR DEFECTS NOTED	Material: NATURAL/ ROCK	Rating: 7
62. Culvert/Ret: N/A	Material: N/A	Rating: N

LOAD RATING AND POSTING

31. Design Load: 5 (HS 20)	63. Oper Rating Method: 0 (FIELD EVAL AND ENG JUDGEMENT)
64. Operating Rating: 45	65. Inv Rating Method: 0 (FIELD EVAL AND ENG JUDGEMENT)
66. Inventory Rating: 36	66C. Tons Posted: Tons
66B. Gross Tons or H Rating: 20 Tons	66D. Date Posted/Closed:
41. Open, Posted, or Closed: A (OPEN)	70. Bridge Posting: 5 (EQUAL TO OR ABOVE LEGAL LOADS)

STRUCTURE INVENTORY AND APPRAISAL REPORT - 3

NBI Number: 2200111
Facility Carried: BEAR CREEK ROAD

Bridge Number: 22-00105
Feature(s) Intersected: BEAR CREEK

APPRAISAL

67.	Structural:	7
68.	Geometry:	5
69.	Underclearance:	N
71.	Waterway Adequacy:	7
36A.	Traffic Safety Features (Bridge Railings):	1 (MEETS ACCEPTABLE STANDARDS)
36B.	Traffic Safety Features (Transitions):	0 (DOES NOT MEET ACCEPTABLE STANDARDS/SAFETY FEATURE IS REQUIRED)
36C.	Traffic Safety Features (Approach Guardrail):	0 (DOES NOT MEET ACCEPTABLE STANDARDS/SAFETY FEATURE IS REQUIRED)
36D.	Traffic Safety Features (Approach Guardrail Ends):	1 (MEETS ACCEPTABLE STANDARDS)
72.	Roadway Alignment:	6 - ALIGNMENT AT GRADE, SOUTH CURVE
	Material:	BITUMINOUS
	Comments:	NEW APPROACH
113.	Scour Critical Bridges:	5 (STABLE - WITHIN LIMITS)
	Comments:	EXPOSED FOOTING, FOOTING ON COMPETENT ROCK

PROPOSED IMPROVEMENTS

75A.	Type of Work:	(NO WORK NEEDED.)
75B.	Work Done By:	0
76.	Improvement Length:	0 ft.
94.	Bridge Improvement Costs:	0 x 1000
95.	Roadway Improvement Costs:	0 x 1000
96.	Total Project Cost:	0 x 1000
97.	Year of Cost Estimate:	

RECOMMENDED MAINTENANCE

RECOMMEND INSTALLING CURRENT STD. APPR. TRANSITION RAIL.

INSPECTION DATA

90.	Date:	3/2/2020	91.	Des. Inspection Frequency:	24 Months
92.	Critical Feature Inspection:	A: N	B: N	C: N	
93.	Date:	A:	B:	C:	
	Unofficial Sufficiency Rating:	83.0			
	Unofficial Structural and Functional Classification:	0 (OK)			



LOOKING WEST FROM ROAD



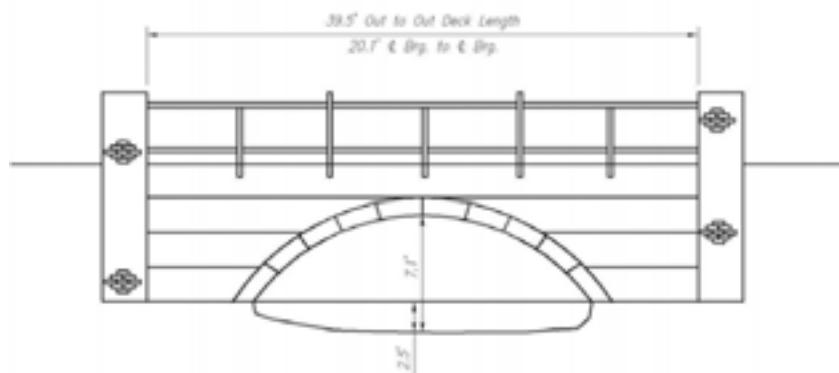
LOOKING EAST FROM ROAD



LOOKING NORTH DOWNSTREAM



LOOKING SOUTH UPSTREAM



See Additional Photographs

See on Township Map

FLOYD COUNTY - BRIDGE NO. 22-00501
 BINFORD PARK ST over FALLING RUN CREEK

STRUCTURE INVENTORY AND APPRAISAL REPORT - 1

NBI Number: 2200074
 Facility Carried: BINFORD PARK ST

Bridge Number: 22-00501
 Feature(s) Intersected: FALLING RUN CREEK

IDENTIFICATION

1. State:	185 (INDIANA)	4. City/Town:	52326 (NEW ALBANY)
8. NBI Number:	2200074		
5. Inventory Route On:	1-5-2- 0-0	98. Border Bridge:	
2. District:	05 (SEYMOUR)	99. Border Bridge Number:	
3. County:	022 (FLOYD)		
6. Feat Intersected:	FALLING RUN CREEK	11. Mile Point (over):	0
7. Facility Carried:	BINFORD PARK ST	16. Latitude:	38.30086
9. Location:	00.10 W OF GRAYBROOK LN	17. Longitude:	-85.823685

STRUCTURE DATA

43A. Structure Type - Main Span:	1 (CONCRETE)	44. Structure Type - Approach:	000
43B. Structure Type - Main Span - Const.	11 (DECK ARCH)	45. Number of Spans - Main:	1
107. Deck Structure Type:	1 (CONCRETE CAST-IN-PLACE)	46. Number of Spans - Approach:	0000
108A. Wearing Surface:	6 (BITUMINOUS)	108B. Membrane:	8 (UNKNOWN)
108C. Protection	0 (NONE)		

AGE OF SERVICE

27. Year Built:	1920	106. Reconstructed:	0
42A. Type of Service Over:	5 (HIGHWAY/PEDESTRIAN)	42B. Type of Service Under:	5 (WATERWAY)
28A. Lanes on Structure:	2	28B. Lanes Under Structure:	0
29. ADT - Over:	1450 VPD	30. ADT Year Over:	2014
114. Future ADT:	2138 VPD	115. Future ADT Year:	2034
109. Average Truck Traffic:	4 %Trucks	19. Bypass Detour Length:	1 mi.

GEOMETRIC DATA

48. Maximum Span Length:	20.1 ft.	49. Structure Length:	39.5 ft.
50A. Sidewalk/Curb Left:	4.5 ft.	50B. Sidewalk/Curb Right:	0.0 ft.
51. Bridge Roadway Width:	18 ft.	52. Deck Width (O-O)	23.7 ft.
32. Approach Roadway Width:	18 ft.	33. Bridge Median:	0 (NO MEDIAN)
34. Skew:	0 Degree(s)	35. Structure Flared:	0 (NO FLARE)
10. Defense Vertical Clearance:	99.99	53. Vertical Clearance/Deck:	99.99 ft.
47. Total Horiz. Clearance:	18 ft.	54A. Min Vert Clear Code:	N
55A. Min Latr. Cl. Right - Code:	N	54B. Underclearance:	0 ft.
55B. Lateral Right:	0 ft.	56. Lateral Left:	0 ft.

STRUCTURE INVENTORY AND APPRAISAL REPORT - 2

NBI Number: 2200074
 Facility Carried: BINFORD PARK ST

Bridge Number: 22-00501
 Feature(s) Intersected: FALLING RUN CREEK

NAVIGATION

38. Navigational Control:	0	40. Navigational Horizontal Clearance:	0 ft.
39. Navigational Vertical Clearance:	0 ft.	116. Vertical Clearance - Lift Bridge:	ft.
111. Pier/Abutment Protection:			

CLASSIFICATION

112. NBIS Bridge Length:	Y	12. Base Highway Network:	0
104. Highway System - Over:	0 (NOT ON NHS)	13A. LRS Inventory Route:	
26. Func. Class - Over:	19 (URBAN - LOCAL)	13B. LRS Inventory Subroute:	
100. Defense Highway Des:	0	101. Parallel Structure Des:	N
102. Direction of Traffic:	2 (2-WAY TRAFFIC)	103. Temporary Structure Des:	
110. Des. Nat. Network:	0	20. Toll:	3 (ON FREE ROAD-NO TOLL)
21. Maint. Responsibility:	02 (COUNTY HIGHWAY AGENCY)	22. Owner:	02 (COUNTY HIGHWAY AGENCY)
37. Historical Significance:	5 (NOT ELIGIBLE)		

CONDITION

58. Deck:	Material: CONCRETE	Rating:	7
GOOD - NORTHEAST RAILING POST DAMAGED, 20" DROP OFF AT SW CORNER SHOULDER OF ROAD AND SIDE WALK, WALK BEING UNDERMINED			
58.01. Wearing Surface:	Material: BITUMINOUS (10")	Rating:	7
GOOD - CRACKS			
59. Superstructure:	Material: PRECAST CONCRETE ARCH	Rating:	7
GOOD - HL CRACKS IN ARCH			
60. Substructure:	Material: PRECAST CONCRETE ARCH	Rating:	7
GOOD - HAIRLINE CRACKS WITH LT AT SE CORNER, EFFL., TOP FOOTING EXP. AT W ABUTMENT			
61. Channel:	Material: NATURAL & RIPRAP	Rating:	6
SATIS - MINOR BANK EROSION			
62. Culvert/Ret:	Material: N/A	Rating:	N
N/A			

LOAD RATING AND POSTING

31. Design Load:	0 (UNKNOWN)	63. Oper Rating Method:	0 (FIELD EVAL AND ENG JUDGEMENT)
64. Operating Rating:	36	65. Inv Rating Method:	0 (FIELD EVAL AND ENG JUDGEMENT)
66. Inventory Rating:	36	66C. Tons Posted:	Tons
66B. Gross Tons or H Rating:	20 Tons	66D. Date Posted/Closed:	
41. Open, Posted, or Closed:	A (OPEN)	70. Bridge Posting:	5 (EQUAL TO OR ABOVE LEGAL LOADS)

STRUCTURE INVENTORY AND APPRAISAL REPORT - 3

NBI Number: 2200074 Facility Carried: BINFORD PARK ST	Bridge Number: 22-00501 Feature(s) Intersected: FALLING RUN CREEK
--	--

APPRAISAL

67.	Structural:	7	
68.	Geometry:	2	
69.	Underclearance:	N	
71.	Waterway Adequacy:	5	
36A.	Traffic Safety Features (Bridge Railings):	0	(DOES NOT MEET ACCEPTABLE STANDARDS/SAFETY FEATURE IS REQUIRED)
36B.	Traffic Safety Features (Transitions):	0	(DOES NOT MEET ACCEPTABLE STANDARDS/SAFETY FEATURE IS REQUIRED)
36C.	Traffic Safety Features (Approach Guardrail):	0	(DOES NOT MEET ACCEPTABLE STANDARDS/SAFETY FEATURE IS REQUIRED)
36D.	Traffic Safety Features (Approach Guardrail Ends):	0	(DOES NOT MEET ACCEPTABLE STANDARDS/SAFETY FEATURE IS REQUIRED)
72.	Roadway Alignment:	8	CURVE EACH WAY, LEVEL
	Material:		BITUMINOUS
	Comments:		TRANS. CRACKS, NO APPROACH SIDEWALK, NO SHOULDERS AT BRIDGE CORNERS
113.	Scour Critical Bridges:	5	(STABLE - WITHIN LIMITS)
	Comments:		

PROPOSED IMPROVEMENTS

75A.	Type of Work:	(NO WORK NEEDED.)	
75B.	Work Done By:	0	
76.	Improvement Length:	0	ft.
94.	Bridge Improvement Costs:	0	x 1000
95.	Roadway Improvement Costs:	0	x 1000
96.	Total Project Cost:	0	x 1000
97.	Year of Cost Estimate:		

RECOMMENDED MAINTENANCE

RECOMMEND INSTALLING CURRENT STD. BRIDGE & APPR. RAIL W/END TREATMENT, PLACING RIPRAP AT SW CORNER.

INSPECTION DATA

90.	Date:	3/3/2020	91.	Des. Inspection Frequency:	24 Months
92.	Critical Feature Inspection:	A: N	B: N	C: N	
93.	Date:	A:	B:	C:	

Unofficial Sufficiency Rating:	76.8
Unofficial Structural and Functional Classification:	2 (FUNCTIONALLY OBSOLETE)



LOOKING EAST FROM ROAD



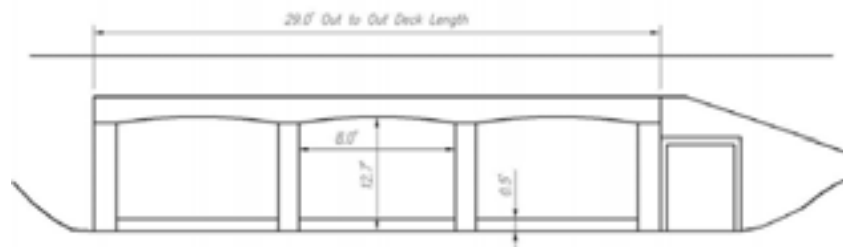
LOOKING WEST FROM ROAD



LOOKING SOUTH THROUGH CHANNEL



LOOKING EAST AT SEWAGE TREATMENT PLANT



See Additional
Photographs

See on
Township Map

FLOYD COUNTY - BRIDGE NO. 22-00502
FLOYD ST over FALLING RUN CREEK

STRUCTURE INVENTORY AND APPRAISAL REPORT - 1

NBI Number: 2200075
 Facility Carried: FLOYD ST

Bridge Number: 22-00502
 Feature(s) Intersected: FALLING RUN CREEK

IDENTIFICATION

1.	State:	185 (INDIANA)	4.	City/Town:	01342 (AMBIA)
8.	NBI Number:	2200075			
5.	Inventory Route On:	1-5-2- 0-0	98.	Border Bridge:	
2.	District:	05 (SEYMOUR)	99.	Border Bridge Number:	
3.	County:	022 (FLOYD)			
6.	Feat Intersected:	FALLING RUN CREEK	11.	Mile Point (over):	0
7.	Facility Carried:	FLOYD ST	16.	Latitude:	38.27682
9.	Location:	00.10 S OF US 111	17.	Longitude:	-85.832886

STRUCTURE DATA

43A.	Structure Type - Main Span:	1 (CONCRETE)	44.	Structure Type - Approach:	000
43B.	Structure Type - Main Span - Const.	19 (CULVERT)	45.	Number of Spans - Main:	3
107.	Deck Structure Type:	N (N/A - UNDER FILL)	46.	Number of Spans - Approach:	0000
108A.	Wearing Surface:	6 (BITUMINOUS)	108B.	Membrane:	N (N/A)
108C.	Protection	N (N/A)			

AGE OF SERVICE

27.	Year Built:	1952	106.	Reconstructed:	0
42A.	Type of Service Over:	1 (HIGHWAY)	42B.	Type of Service Under:	5 (WATERWAY)
28A.	Lanes on Structure:	2	28B.	Lanes Under Structure:	0
29.	ADT - Over:	10164 VPD	30.	ADT Year Over:	2014
114.	Future ADT:	14982 VPD	115.	Future ADT Year:	2034
109.	Average Truck Traffic:	4 %Trucks	19.	Bypass Detour Length:	1 mi.

GEOMETRIC DATA

48.	Maximum Span Length:	9.1 ft.	49.	Structure Length:	28 ft.
50A.	Sidewalk/Curb Left:	0.0 ft.	50B.	Sidewalk/Curb Right:	0.0 ft.
51.	Bridge Roadway Width:	22 ft.	52.	Deck Width (O-O)	115 ft.
32.	Approach Roadway Width:	22 ft.	33.	Bridge Median:	0 (NO MEDIAN)
34.	Skew:	20 Degree(s)	35.	Structure Flared:	0 (NO FLARE)
10.	Defense Vertical Clearance:	99.99	53.	Vertical Clearance/Deck:	99.99 ft.
47.	Total Horiz. Clearance:	24 ft.	54A.	Min Vert Clear Code:	N
55A.	Min Latr. Cl. Right - Code:	N	54B.	Underclearance:	0 ft.
55B.	Lateral Right:	0 ft.	56.	Lateral Left:	0 ft.

STRUCTURE INVENTORY AND APPRAISAL REPORT - 2

NBI Number: 2200075
 Facility Carried: FLOYD ST

Bridge Number: 22-00502
 Feature(s) Intersected: FALLING RUN CREEK

NAVIGATION

38. Navigational Control: 0	40. Navigational Horizontal Clearance: 0 ft.
39. Navigational Vertical Clearance: 0 ft.	116. Vertical Clearance - Lift Bridge: ft.
111. Pier/Abutment Protection:	

CLASSIFICATION

112. NBIS Bridge Length: Y	12. Base Highway Network: 0
104. Highway System - Over: 0 (NOT ON NHS)	13A. LRS Inventory Route:
26. Func. Class - Over: 19 (URBAN - LOCAL)	13B. LRS Inventory Subroute:
100. Defense Highway Des: 0	101. Parallel Structure Des: N
102. Direction of Traffic: 2 (2-WAY TRAFFIC)	103. Temporary Structure Des:
110. Des. Nat. Network: 0	20. Toll: 3 (ON FREE ROAD-NO TOLL)
21. Maint. Responsibility: 02 (COUNTY HIGHWAY AGENCY)	22. Owner: 02 (COUNTY HIGHWAY AGENCY)
37. Historical Significance: 5 (NOT ELIGIBLE)	

CONDITION

58. Deck: Material: N/A	Rating: N
N/A	
58.01. Wearing Surface: Material: BITUMINOUS (2")	Rating: 7
GOOD - NO MAJOR DEFECTS	
59. Superstructure: Material: N/A	Rating: N
N/A	
60. Substructure: Material: N/A	Rating: N
N/A	
61. Channel: Material: RIPRAP & NATURAL	Rating: 6
SATIS - SCOUR HOLE AT OUTLET (3.5' DEEP AVG.)	
62. Culvert/Ret: Material: 3-CELL CONCRETE BOX	Rating: 7
GOOD - LEAKS, SMALL SPALLS, BOTTOM OF STR. WORN, SMALL 12" X 12" X 5" DEEP SPALL AT NW CORNER, FLOOD GATES IN STRUCTURE NEAR SOUTH END	

LOAD RATING AND POSTING

31. Design Load: 0 (UNKNOWN)	63. Oper Rating Method: 0 (FIELD EVAL AND ENG JUDGEMENT)
64. Operating Rating: 36	65. Inv Rating Method: 0 (FIELD EVAL AND ENG JUDGEMENT)
66. Inventory Rating: 36	66C. Tons Posted: Tons
66B. Gross Tons or H Rating: 20 Tons	66D. Date Posted/Closed:
41. Open, Posted, or Closed: A (OPEN)	70. Bridge Posting: 5 (EQUAL TO OR ABOVE LEGAL LOADS)

STRUCTURE INVENTORY AND APPRAISAL REPORT - 3

NBI Number: 2200075
 Facility Carried: FLOYD ST

Bridge Number: 22-00502
 Feature(s) Intersected: FALLING RUN CREEK

APPRAISAL

67.	Structural:	7
68.	Geometry:	2
69.	Underclearance:	N
71.	Waterway Adequacy:	9
36A.	Traffic Safety Features (Bridge Railings):	0 (DOES NOT MEET ACCEPTABLE STANDARDS/SAFETY FEATURE IS REQUIRED)
36B.	Traffic Safety Features (Transitions):	0 (DOES NOT MEET ACCEPTABLE STANDARDS/SAFETY FEATURE IS REQUIRED)
36C.	Traffic Safety Features (Approach Guardrail):	0 (DOES NOT MEET ACCEPTABLE STANDARDS/SAFETY FEATURE IS REQUIRED)
36D.	Traffic Safety Features (Approach Guardrail Ends):	0 (DOES NOT MEET ACCEPTABLE STANDARDS/SAFETY FEATURE IS REQUIRED)
72.	Roadway Alignment:	8 - SLIGHT HORIZ. CURVE, UPGRADE TO N
	Material:	BITUMINOUS
	Comments:	FEW CRACKS
113.	Scour Critical Bridges:	8 (STABLE - EXCELLENT CONDITION)
	Comments:	

PROPOSED IMPROVEMENTS

75A.	Type of Work:	(NO WORK NEEDED.)
75B.	Work Done By:	0
76.	Improvement Length:	0 ft.
94.	Bridge Improvement Costs:	0 x 1000
95.	Roadway Improvement Costs:	0 x 1000
96.	Total Project Cost:	0 x 1000
97.	Year of Cost Estimate:	

RECOMMENDED MAINTENANCE

RECOMMEND REMOVING LOGJAM AT INLET, INSTALLING CURRENT STD. BRIDGE & APPR. RAIL W/END TREATMENT AND ALL B.E.M.'S.

INSPECTION DATA

90.	Date:	3/3/2020	91.	Des. Inspection Frequency:	24 Months
92.	Critical Feature Inspection:	A: N	B: N	C: N	
93.	Date:	A:	B:	C:	

Unofficial Sufficiency Rating: 76.8
 Unofficial Structural and Functional Classification: 2 (FUNCTIONALLY OBSOLETE)



LOOKING WEST FROM ROAD



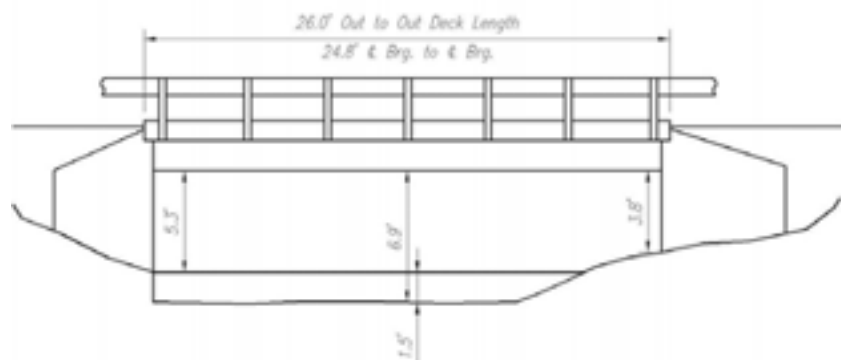
LOOKING EAST FROM ROAD



LOOKING SOUTH DOWNSTREAM



LOOKING WEST AT WATER SEEPAGE BETWEEN PRECAST



See Additional Photographs

See on Township Map

FLOYD COUNTY - BRIDGE NO. 22-00503 B
DAISY LN over FALLING RUN CREEK

STRUCTURE INVENTORY AND APPRAISAL REPORT - 1

NBI Number: 2200105
 Facility Carried: DAISY LN

Bridge Number: 22-00503 B
 Feature(s) Intersected: FALLING RUN CREEK

IDENTIFICATION

<table border="0" style="width: 100%;"> <tr><td style="width: 10%;">1.</td><td style="width: 30%;">State:</td><td style="width: 30%;">185 (INDIANA)</td></tr> <tr><td>8.</td><td>NBI Number:</td><td>2200105</td></tr> <tr><td>5.</td><td>Inventory Route On:</td><td>1-5-1- 0-0</td></tr> <tr><td>2.</td><td>District:</td><td>05 (SEYMOUR)</td></tr> <tr><td>3.</td><td>County:</td><td>022 (FLOYD)</td></tr> <tr><td>6.</td><td>Feat Intersected:</td><td>FALLING RUN CREEK</td></tr> <tr><td>7.</td><td>Facility Carried:</td><td>DAISY LN</td></tr> <tr><td>9.</td><td>Location:</td><td>00.00 INT ZURSCHMEIDE DR</td></tr> </table>	1.	State:	185 (INDIANA)	8.	NBI Number:	2200105	5.	Inventory Route On:	1-5-1- 0-0	2.	District:	05 (SEYMOUR)	3.	County:	022 (FLOYD)	6.	Feat Intersected:	FALLING RUN CREEK	7.	Facility Carried:	DAISY LN	9.	Location:	00.00 INT ZURSCHMEIDE DR	<table border="0" style="width: 100%;"> <tr><td style="width: 10%;">4.</td><td style="width: 30%;">City/Town:</td><td style="width: 30%;">52326 (NEW ALBANY)</td></tr> <tr><td>98.</td><td>Border Bridge:</td><td></td></tr> <tr><td>99.</td><td>Border Bridge Number:</td><td></td></tr> <tr><td>11.</td><td>Mile Point (over):</td><td>0</td></tr> <tr><td>16.</td><td>Latitude:</td><td>38.31013</td></tr> <tr><td>17.</td><td>Longitude:</td><td>-85.83252</td></tr> </table>	4.	City/Town:	52326 (NEW ALBANY)	98.	Border Bridge:		99.	Border Bridge Number:		11.	Mile Point (over):	0	16.	Latitude:	38.31013	17.	Longitude:	-85.83252
1.	State:	185 (INDIANA)																																									
8.	NBI Number:	2200105																																									
5.	Inventory Route On:	1-5-1- 0-0																																									
2.	District:	05 (SEYMOUR)																																									
3.	County:	022 (FLOYD)																																									
6.	Feat Intersected:	FALLING RUN CREEK																																									
7.	Facility Carried:	DAISY LN																																									
9.	Location:	00.00 INT ZURSCHMEIDE DR																																									
4.	City/Town:	52326 (NEW ALBANY)																																									
98.	Border Bridge:																																										
99.	Border Bridge Number:																																										
11.	Mile Point (over):	0																																									
16.	Latitude:	38.31013																																									
17.	Longitude:	-85.83252																																									

STRUCTURE DATA

<table border="0" style="width: 100%;"> <tr><td style="width: 10%;">43A.</td><td style="width: 30%;">Structure Type - Main Span:</td><td style="width: 30%;">1 (CONCRETE)</td></tr> <tr><td>43B.</td><td>Structure Type - Main Span - Const.</td><td>11 (DECK ARCH)</td></tr> <tr><td>107.</td><td>Deck Structure Type:</td><td>N (N/A - UNDER FILL)</td></tr> <tr><td>108A.</td><td>Wearing Surface:</td><td>6 (BITUMINOUS)</td></tr> <tr><td>108C.</td><td>Protection</td><td>N (N/A)</td></tr> </table>	43A.	Structure Type - Main Span:	1 (CONCRETE)	43B.	Structure Type - Main Span - Const.	11 (DECK ARCH)	107.	Deck Structure Type:	N (N/A - UNDER FILL)	108A.	Wearing Surface:	6 (BITUMINOUS)	108C.	Protection	N (N/A)	<table border="0" style="width: 100%;"> <tr><td style="width: 10%;">44.</td><td style="width: 30%;">Structure Type - Approach:</td><td style="width: 30%;">000</td></tr> <tr><td>45.</td><td>Number of Spans - Main:</td><td>1</td></tr> <tr><td>46.</td><td>Number of Spans - Approach:</td><td>0000</td></tr> <tr><td>108B.</td><td>Membrane:</td><td>N (N/A)</td></tr> </table>	44.	Structure Type - Approach:	000	45.	Number of Spans - Main:	1	46.	Number of Spans - Approach:	0000	108B.	Membrane:	N (N/A)
43A.	Structure Type - Main Span:	1 (CONCRETE)																										
43B.	Structure Type - Main Span - Const.	11 (DECK ARCH)																										
107.	Deck Structure Type:	N (N/A - UNDER FILL)																										
108A.	Wearing Surface:	6 (BITUMINOUS)																										
108C.	Protection	N (N/A)																										
44.	Structure Type - Approach:	000																										
45.	Number of Spans - Main:	1																										
46.	Number of Spans - Approach:	0000																										
108B.	Membrane:	N (N/A)																										

AGE OF SERVICE

<table border="0" style="width: 100%;"> <tr><td style="width: 10%;">27.</td><td style="width: 30%;">Year Built:</td><td style="width: 30%;">2011</td></tr> <tr><td>42A.</td><td>Type of Service Over:</td><td>5 (HIGHWAY/PEDESTRIAN)</td></tr> <tr><td>28A.</td><td>Lanes on Structure:</td><td>2</td></tr> <tr><td>29.</td><td>ADT - Over:</td><td>6118 VPD</td></tr> <tr><td>114.</td><td>Future ADT:</td><td>9018 VPD</td></tr> <tr><td>109.</td><td>Average Truck Traffic:</td><td>8 %Trucks</td></tr> </table>	27.	Year Built:	2011	42A.	Type of Service Over:	5 (HIGHWAY/PEDESTRIAN)	28A.	Lanes on Structure:	2	29.	ADT - Over:	6118 VPD	114.	Future ADT:	9018 VPD	109.	Average Truck Traffic:	8 %Trucks	<table border="0" style="width: 100%;"> <tr><td style="width: 10%;">106.</td><td style="width: 30%;">Reconstructed:</td><td style="width: 30%;">0</td></tr> <tr><td>42B.</td><td>Type of Service Under:</td><td>5 (WATERWAY)</td></tr> <tr><td>28B.</td><td>Lanes Under Structure:</td><td>0</td></tr> <tr><td>30.</td><td>ADT Year Over:</td><td>2014</td></tr> <tr><td>115.</td><td>Future ADT Year:</td><td>2034</td></tr> <tr><td>19.</td><td>Bypass Detour Length:</td><td>1 mi.</td></tr> </table>	106.	Reconstructed:	0	42B.	Type of Service Under:	5 (WATERWAY)	28B.	Lanes Under Structure:	0	30.	ADT Year Over:	2014	115.	Future ADT Year:	2034	19.	Bypass Detour Length:	1 mi.
27.	Year Built:	2011																																			
42A.	Type of Service Over:	5 (HIGHWAY/PEDESTRIAN)																																			
28A.	Lanes on Structure:	2																																			
29.	ADT - Over:	6118 VPD																																			
114.	Future ADT:	9018 VPD																																			
109.	Average Truck Traffic:	8 %Trucks																																			
106.	Reconstructed:	0																																			
42B.	Type of Service Under:	5 (WATERWAY)																																			
28B.	Lanes Under Structure:	0																																			
30.	ADT Year Over:	2014																																			
115.	Future ADT Year:	2034																																			
19.	Bypass Detour Length:	1 mi.																																			

GEOMETRIC DATA

<table border="0" style="width: 100%;"> <tr><td style="width: 10%;">48.</td><td style="width: 30%;">Maximum Span Length:</td><td style="width: 30%;">34 ft.</td></tr> <tr><td>50A.</td><td>Sidewalk/Curb Left:</td><td>6.4 ft.</td></tr> <tr><td>51.</td><td>Bridge Roadway Width:</td><td>28.5 ft.</td></tr> <tr><td>32.</td><td>Approach Roadway Width:</td><td>28 ft.</td></tr> <tr><td>34.</td><td>Skew:</td><td>20 Degree(s)</td></tr> <tr><td>10.</td><td>Defense Vertical Clearance:</td><td>99.99</td></tr> <tr><td>47.</td><td>Total Horiz. Clearance:</td><td>41.3 ft.</td></tr> <tr><td>55A.</td><td>Min Latr. Cl. Right - Code:</td><td>N</td></tr> <tr><td>55B.</td><td>Lateral Right:</td><td>0 ft.</td></tr> </table>	48.	Maximum Span Length:	34 ft.	50A.	Sidewalk/Curb Left:	6.4 ft.	51.	Bridge Roadway Width:	28.5 ft.	32.	Approach Roadway Width:	28 ft.	34.	Skew:	20 Degree(s)	10.	Defense Vertical Clearance:	99.99	47.	Total Horiz. Clearance:	41.3 ft.	55A.	Min Latr. Cl. Right - Code:	N	55B.	Lateral Right:	0 ft.	<table border="0" style="width: 100%;"> <tr><td style="width: 10%;">49.</td><td style="width: 30%;">Structure Length:</td><td style="width: 30%;">36.7 ft.</td></tr> <tr><td>50B.</td><td>Sidewalk/Curb Right:</td><td>6.4 ft.</td></tr> <tr><td>52.</td><td>Deck Width (O-O)</td><td>45.7 ft.</td></tr> <tr><td>33.</td><td>Bridge Median:</td><td>1 (OPEN MEDIAN)</td></tr> <tr><td>35.</td><td>Structure Flared:</td><td>0 (NO FLARE)</td></tr> <tr><td>53.</td><td>Vertical Clearance/Deck:</td><td>99.99 ft.</td></tr> <tr><td>54A.</td><td>Min Vert Clear Code:</td><td>N</td></tr> <tr><td>54B.</td><td>Underclearance:</td><td>0 ft.</td></tr> <tr><td>56.</td><td>Lateral Left:</td><td>0 ft.</td></tr> </table>	49.	Structure Length:	36.7 ft.	50B.	Sidewalk/Curb Right:	6.4 ft.	52.	Deck Width (O-O)	45.7 ft.	33.	Bridge Median:	1 (OPEN MEDIAN)	35.	Structure Flared:	0 (NO FLARE)	53.	Vertical Clearance/Deck:	99.99 ft.	54A.	Min Vert Clear Code:	N	54B.	Underclearance:	0 ft.	56.	Lateral Left:	0 ft.
48.	Maximum Span Length:	34 ft.																																																					
50A.	Sidewalk/Curb Left:	6.4 ft.																																																					
51.	Bridge Roadway Width:	28.5 ft.																																																					
32.	Approach Roadway Width:	28 ft.																																																					
34.	Skew:	20 Degree(s)																																																					
10.	Defense Vertical Clearance:	99.99																																																					
47.	Total Horiz. Clearance:	41.3 ft.																																																					
55A.	Min Latr. Cl. Right - Code:	N																																																					
55B.	Lateral Right:	0 ft.																																																					
49.	Structure Length:	36.7 ft.																																																					
50B.	Sidewalk/Curb Right:	6.4 ft.																																																					
52.	Deck Width (O-O)	45.7 ft.																																																					
33.	Bridge Median:	1 (OPEN MEDIAN)																																																					
35.	Structure Flared:	0 (NO FLARE)																																																					
53.	Vertical Clearance/Deck:	99.99 ft.																																																					
54A.	Min Vert Clear Code:	N																																																					
54B.	Underclearance:	0 ft.																																																					
56.	Lateral Left:	0 ft.																																																					

STRUCTURE INVENTORY AND APPRAISAL REPORT - 2

NBI Number: 2200105
 Facility Carried: DAISY LN

Bridge Number: 22-00503 B
 Feature(s) Intersected: FALLING RUN CREEK

NAVIGATION

38. Navigational Control: 0	40. Navigational Horizontal Clearance: 0 ft.
39. Navigational Vertical Clearance: 0 ft.	116. Vertical Clearance - Lift Bridge: ft.
111. Pier/Abutment Protection:	

CLASSIFICATION

112. NBIS Bridge Length: Y	12. Base Highway Network: 0
104. Highway System - Over: 0 (NOT ON NHS)	13A. LRS Inventory Route:
26. Func. Class - Over: 16 (URBAN - MINOR ARTERIAL)	13B. LRS Inventory Subroute:
100. Defense Highway Des: 0	101. Parallel Structure Des: N
102. Direction of Traffic: 2 (2-WAY TRAFFIC)	103. Temporary Structure Des:
110. Des. Nat. Network: 0	20. Toll: 3 (ON FREE ROAD-NO TOLL)
21. Maint. Responsibility: 02 (COUNTY HIGHWAY AGENCY)	22. Owner: 02 (COUNTY HIGHWAY AGENCY)
37. Historical Significance: 5 (NOT ELIGIBLE)	

CONDITION

58. Deck: N/A	Material: N/A	Rating: N	
58.01. Wearing Surface: VERY GOOD - NO MAJOR DEFECTS	Material: NEW BITUMINOUS (4")	Rating: 8	
59. Superstructure: GOOD - MANY TRANSVERSE HAIRLINE CRACKS, 12" x 22" SPALL WITH 1 EXP. REIN. AT MIDSPAN IN PRECAST SECTION 7, FINE HL TRANSVERSE CRACKS IN PRECAST SECTIONS AT MIDSPAN	Material: PRECAST CONCRETE HYPAN	Rating: 7	
60. Substructure: VERY GOOD - SMALL SPALLS AT WINGWALL AT SW CORNER	Material: PRECAST CONCRETE HYPAN	Rating: 8	
61. Channel: VERY GOOD - NO MAJOR DEFECTS	Material: GROUTED RIPRAP	Rating: 8	
62. Culvert/Ret: N/A	Material: N/A	Rating: N	

LOAD RATING AND POSTING

31. Design Load: 5 (HS 20)	63. Oper Rating Method: 0 (FIELD EVAL AND ENG JUDGEMENT)
64. Operating Rating: 36	65. Inv Rating Method: 0 (FIELD EVAL AND ENG JUDGEMENT)
66. Inventory Rating: 36	66C. Tons Posted: Tons
66B. Gross Tons or H Rating: 20 Tons	66D. Date Posted/Closed:
41. Open, Posted, or Closed: A (OPEN)	70. Bridge Posting: 5 (EQUAL TO OR ABOVE LEGAL LOADS)

STRUCTURE INVENTORY AND APPRAISAL REPORT - 3

NBI Number: 2200105
 Facility Carried: DAISY LN

Bridge Number: 22-00503 B
 Feature(s) Intersected: FALLING RUN CREEK

APPRAISAL

67.	Structural:	7
68.	Geometry:	2
69.	Underclearance:	N
71.	Waterway Adequacy:	7
36A.	Traffic Safety Features (Bridge Railings):	1 (MEETS ACCEPTABLE STANDARDS)
36B.	Traffic Safety Features (Transitions):	1 (MEETS ACCEPTABLE STANDARDS)
36C.	Traffic Safety Features (Approach Guardrail):	1 (MEETS ACCEPTABLE STANDARDS)
36D.	Traffic Safety Features (Approach Guardrail Ends):	1 (MEETS ACCEPTABLE STANDARDS)
72.	Roadway Alignment:	8 - TANGENT, ON GRADE
	Material:	BITUMINOUS
	Comments:	NEW BITUMINOUS APPROACHES
113.	Scour Critical Bridges:	8 (STABLE - EXCELLENT CONDITION)
	Comments:	

PROPOSED IMPROVEMENTS

75A.	Type of Work:	(NO WORK NEEDED.)
75B.	Work Done By:	0
76.	Improvement Length:	0 ft.
94.	Bridge Improvement Costs:	0 x 1000
95.	Roadway Improvement Costs:	0 x 1000
96.	Total Project Cost:	0 x 1000
97.	Year of Cost Estimate:	

RECOMMENDED MAINTENANCE

DAMAGED SOUTHWEST END TREATMENT

INSPECTION DATA

90.	Date:	3/3/2020	91.	Des. Inspection Frequency:	24 Months
92.	Critical Feature Inspection:	A: N	B: N	C: N	
93.	Date:	A:	B:	C:	

Unofficial Sufficiency Rating: 80.3
 Unofficial Structural and Functional Classification: 2 (FUNCTIONALLY OBSOLETE)



LOOKING WEST FROM ROAD



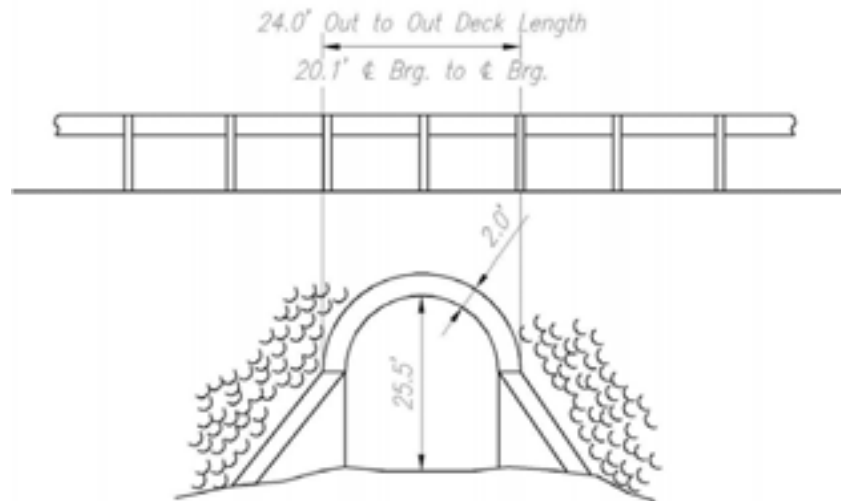
LOOKING EAST FROM ROAD



LOOKING SOUTH EAST DOWNSTREAM



LOOKING SOUTH AT CULVERT INTERIOR



See Additional Photographs

See on Township Map

FLOYD COUNTY - BRIDGE NO. 22-00504
SPRING HILL RD over FALLING RUN CREEK

STRUCTURE INVENTORY AND APPRAISAL REPORT - 1

NBI Number: 2200077
 Facility Carried: SPRING HILL RD

Bridge Number: 22-00504
 Feature(s) Intersected: FALLING RUN CREEK

IDENTIFICATION

<table border="0" style="width: 100%;"> <tr><td style="width: 10%;">1.</td><td style="width: 30%;">State:</td><td style="width: 30%;">185 (INDIANA)</td></tr> <tr><td>8.</td><td>NBI Number:</td><td>2200077</td></tr> <tr><td>5.</td><td>Inventory Route On:</td><td>1-5-2- 0-0</td></tr> <tr><td>2.</td><td>District:</td><td>05 (SEYMOUR)</td></tr> <tr><td>3.</td><td>County:</td><td>022 (FLOYD)</td></tr> <tr><td>6.</td><td>Feat Intersected:</td><td>FALLING RUN CREEK</td></tr> <tr><td>7.</td><td>Facility Carried:</td><td>SPRING HILL RD</td></tr> <tr><td>9.</td><td>Location:</td><td>00.10 W OF SPRING ST</td></tr> </table>	1.	State:	185 (INDIANA)	8.	NBI Number:	2200077	5.	Inventory Route On:	1-5-2- 0-0	2.	District:	05 (SEYMOUR)	3.	County:	022 (FLOYD)	6.	Feat Intersected:	FALLING RUN CREEK	7.	Facility Carried:	SPRING HILL RD	9.	Location:	00.10 W OF SPRING ST	<table border="0" style="width: 100%;"> <tr><td style="width: 10%;">4.</td><td style="width: 30%;">City/Town:</td><td style="width: 30%;">52326 (NEW ALBANY)</td></tr> <tr><td>98.</td><td>Border Bridge:</td><td></td></tr> <tr><td>99.</td><td>Border Bridge Number:</td><td></td></tr> <tr><td>11.</td><td>Mile Point (over):</td><td>0</td></tr> <tr><td>16.</td><td>Latitude:</td><td>38.28234</td></tr> <tr><td>17.</td><td>Longitude:</td><td>-85.834625</td></tr> </table>	4.	City/Town:	52326 (NEW ALBANY)	98.	Border Bridge:		99.	Border Bridge Number:		11.	Mile Point (over):	0	16.	Latitude:	38.28234	17.	Longitude:	-85.834625
1.	State:	185 (INDIANA)																																									
8.	NBI Number:	2200077																																									
5.	Inventory Route On:	1-5-2- 0-0																																									
2.	District:	05 (SEYMOUR)																																									
3.	County:	022 (FLOYD)																																									
6.	Feat Intersected:	FALLING RUN CREEK																																									
7.	Facility Carried:	SPRING HILL RD																																									
9.	Location:	00.10 W OF SPRING ST																																									
4.	City/Town:	52326 (NEW ALBANY)																																									
98.	Border Bridge:																																										
99.	Border Bridge Number:																																										
11.	Mile Point (over):	0																																									
16.	Latitude:	38.28234																																									
17.	Longitude:	-85.834625																																									

STRUCTURE DATA

<table border="0" style="width: 100%;"> <tr><td style="width: 10%;">43A.</td><td style="width: 30%;">Structure Type - Main Span:</td><td style="width: 30%;">1 (CONCRETE)</td></tr> <tr><td>43B.</td><td>Structure Type - Main Span - Const.</td><td>19 (CULVERT)</td></tr> <tr><td>107.</td><td>Deck Structure Type:</td><td>N (N/A - UNDER FILL)</td></tr> <tr><td>108A.</td><td>Wearing Surface:</td><td>6 (BITUMINOUS)</td></tr> <tr><td>108C.</td><td>Protection</td><td>N (N/A)</td></tr> </table>	43A.	Structure Type - Main Span:	1 (CONCRETE)	43B.	Structure Type - Main Span - Const.	19 (CULVERT)	107.	Deck Structure Type:	N (N/A - UNDER FILL)	108A.	Wearing Surface:	6 (BITUMINOUS)	108C.	Protection	N (N/A)	<table border="0" style="width: 100%;"> <tr><td style="width: 10%;">44.</td><td style="width: 30%;">Structure Type - Approach:</td><td style="width: 30%;">000</td></tr> <tr><td>45.</td><td>Number of Spans - Main:</td><td>1</td></tr> <tr><td>46.</td><td>Number of Spans - Approach:</td><td>0000</td></tr> <tr><td>108B.</td><td>Membrane:</td><td>N (N/A)</td></tr> </table>	44.	Structure Type - Approach:	000	45.	Number of Spans - Main:	1	46.	Number of Spans - Approach:	0000	108B.	Membrane:	N (N/A)
43A.	Structure Type - Main Span:	1 (CONCRETE)																										
43B.	Structure Type - Main Span - Const.	19 (CULVERT)																										
107.	Deck Structure Type:	N (N/A - UNDER FILL)																										
108A.	Wearing Surface:	6 (BITUMINOUS)																										
108C.	Protection	N (N/A)																										
44.	Structure Type - Approach:	000																										
45.	Number of Spans - Main:	1																										
46.	Number of Spans - Approach:	0000																										
108B.	Membrane:	N (N/A)																										

AGE OF SERVICE

<table border="0" style="width: 100%;"> <tr><td style="width: 10%;">27.</td><td style="width: 30%;">Year Built:</td><td style="width: 30%;">1949</td></tr> <tr><td>42A.</td><td>Type of Service Over:</td><td>1 (HIGHWAY)</td></tr> <tr><td>28A.</td><td>Lanes on Structure:</td><td>2</td></tr> <tr><td>29.</td><td>ADT - Over:</td><td>1184 VPD</td></tr> <tr><td>114.</td><td>Future ADT:</td><td>1746 VPD</td></tr> <tr><td>109.</td><td>Average Truck Traffic:</td><td>3 %Trucks</td></tr> </table>	27.	Year Built:	1949	42A.	Type of Service Over:	1 (HIGHWAY)	28A.	Lanes on Structure:	2	29.	ADT - Over:	1184 VPD	114.	Future ADT:	1746 VPD	109.	Average Truck Traffic:	3 %Trucks	<table border="0" style="width: 100%;"> <tr><td style="width: 10%;">106.</td><td style="width: 30%;">Reconstructed:</td><td style="width: 30%;">0</td></tr> <tr><td>42B.</td><td>Type of Service Under:</td><td>5 (WATERWAY)</td></tr> <tr><td>28B.</td><td>Lanes Under Structure:</td><td>0</td></tr> <tr><td>30.</td><td>ADT Year Over:</td><td>2014</td></tr> <tr><td>115.</td><td>Future ADT Year:</td><td>2034</td></tr> <tr><td>19.</td><td>Bypass Detour Length:</td><td>1 mi.</td></tr> </table>	106.	Reconstructed:	0	42B.	Type of Service Under:	5 (WATERWAY)	28B.	Lanes Under Structure:	0	30.	ADT Year Over:	2014	115.	Future ADT Year:	2034	19.	Bypass Detour Length:	1 mi.
27.	Year Built:	1949																																			
42A.	Type of Service Over:	1 (HIGHWAY)																																			
28A.	Lanes on Structure:	2																																			
29.	ADT - Over:	1184 VPD																																			
114.	Future ADT:	1746 VPD																																			
109.	Average Truck Traffic:	3 %Trucks																																			
106.	Reconstructed:	0																																			
42B.	Type of Service Under:	5 (WATERWAY)																																			
28B.	Lanes Under Structure:	0																																			
30.	ADT Year Over:	2014																																			
115.	Future ADT Year:	2034																																			
19.	Bypass Detour Length:	1 mi.																																			

GEOMETRIC DATA

<table border="0" style="width: 100%;"> <tr><td style="width: 10%;">48.</td><td style="width: 30%;">Maximum Span Length:</td><td style="width: 30%;">20.1 ft.</td></tr> <tr><td>50A.</td><td>Sidewalk/Curb Left:</td><td>0.0 ft.</td></tr> <tr><td>51.</td><td>Bridge Roadway Width:</td><td>26 ft.</td></tr> <tr><td>32.</td><td>Approach Roadway Width:</td><td>26 ft.</td></tr> <tr><td>34.</td><td>Skew:</td><td>0 Degree(s)</td></tr> <tr><td>10.</td><td>Defense Vertical Clearance:</td><td>99.99</td></tr> <tr><td>47.</td><td>Total Horiz. Clearance:</td><td>60 ft.</td></tr> <tr><td>55A.</td><td>Min Latr. Cl. Right - Code:</td><td>N</td></tr> <tr><td>55B.</td><td>Lateral Right:</td><td>0 ft.</td></tr> </table>	48.	Maximum Span Length:	20.1 ft.	50A.	Sidewalk/Curb Left:	0.0 ft.	51.	Bridge Roadway Width:	26 ft.	32.	Approach Roadway Width:	26 ft.	34.	Skew:	0 Degree(s)	10.	Defense Vertical Clearance:	99.99	47.	Total Horiz. Clearance:	60 ft.	55A.	Min Latr. Cl. Right - Code:	N	55B.	Lateral Right:	0 ft.	<table border="0" style="width: 100%;"> <tr><td style="width: 10%;">49.</td><td style="width: 30%;">Structure Length:</td><td style="width: 30%;">24 ft.</td></tr> <tr><td>50B.</td><td>Sidewalk/Curb Right:</td><td>0.0 ft.</td></tr> <tr><td>52.</td><td>Deck Width (O-O)</td><td>70 ft.</td></tr> <tr><td>33.</td><td>Bridge Median:</td><td>0 (NO MEDIAN)</td></tr> <tr><td>35.</td><td>Structure Flared:</td><td>0 (NO FLARE)</td></tr> <tr><td>53.</td><td>Vertical Clearance/Deck:</td><td>99.99 ft.</td></tr> <tr><td>54A.</td><td>Min Vert Clear Code:</td><td>N</td></tr> <tr><td>54B.</td><td>Underclearance:</td><td>0 ft.</td></tr> <tr><td>56.</td><td>Lateral Left:</td><td>0 ft.</td></tr> </table>	49.	Structure Length:	24 ft.	50B.	Sidewalk/Curb Right:	0.0 ft.	52.	Deck Width (O-O)	70 ft.	33.	Bridge Median:	0 (NO MEDIAN)	35.	Structure Flared:	0 (NO FLARE)	53.	Vertical Clearance/Deck:	99.99 ft.	54A.	Min Vert Clear Code:	N	54B.	Underclearance:	0 ft.	56.	Lateral Left:	0 ft.
48.	Maximum Span Length:	20.1 ft.																																																					
50A.	Sidewalk/Curb Left:	0.0 ft.																																																					
51.	Bridge Roadway Width:	26 ft.																																																					
32.	Approach Roadway Width:	26 ft.																																																					
34.	Skew:	0 Degree(s)																																																					
10.	Defense Vertical Clearance:	99.99																																																					
47.	Total Horiz. Clearance:	60 ft.																																																					
55A.	Min Latr. Cl. Right - Code:	N																																																					
55B.	Lateral Right:	0 ft.																																																					
49.	Structure Length:	24 ft.																																																					
50B.	Sidewalk/Curb Right:	0.0 ft.																																																					
52.	Deck Width (O-O)	70 ft.																																																					
33.	Bridge Median:	0 (NO MEDIAN)																																																					
35.	Structure Flared:	0 (NO FLARE)																																																					
53.	Vertical Clearance/Deck:	99.99 ft.																																																					
54A.	Min Vert Clear Code:	N																																																					
54B.	Underclearance:	0 ft.																																																					
56.	Lateral Left:	0 ft.																																																					

STRUCTURE INVENTORY AND APPRAISAL REPORT - 2

NBI Number: 2200077
 Facility Carried: SPRING HILL RD

Bridge Number: 22-00504
 Feature(s) Intersected: FALLING RUN CREEK

NAVIGATION

38.	Navigational Control:	0	40.	Navigational Horizontal Clearance:	0 ft.
39.	Navigational Vertical Clearance:	0 ft.	116.	Vertical Clearance - Lift Bridge:	ft.
111.	Pier/Abutment Protection:				

CLASSIFICATION

112.	NBIS Bridge Length:	Y	12.	Base Highway Network:	0
104.	Highway System - Over:	0 (NOT ON NHS)	13A.	LRS Inventory Route:	
26.	Func. Class - Over:	19 (URBAN - LOCAL)	13B.	LRS Inventory Subroute:	
100.	Defense Highway Des:	0	101.	Parallel Structure Des:	N
102.	Direction of Traffic:	2 (2-WAY TRAFFIC)	103.	Temporary Structure Des:	
110.	Des. Nat. Network:	0	20.	Toll:	3 (ON FREE ROAD-NO TOLL)
21.	Maint. Responsibility:	02 (COUNTY HIGHWAY AGENCY)	22.	Owner:	02 (COUNTY HIGHWAY AGENCY)
37.	Historical Significance:	5 (NOT ELIGIBLE)			

CONDITION

58.	Deck:	Material: N/A	Rating:	N
	N/A			
58.01.	Wearing Surface:	Material: BITUMINOUS (2")	Rating:	7
	GOOD - NEW ASPHALT PATCH AREA HAS SETTLED APPROX. 1" OVER STR.			
59.	Superstructure:	Material: N/A	Rating:	N
	N/A			
60.	Substructure:	Material: N/A	Rating:	N
	N/A			
61.	Channel:	Material: NATURAL	Rating:	6
	SATIS - LARGE CONCRETE CHUNKS			
62.	Culvert/Ret:	Material: CONC. ARCH CULVERT	Rating:	5
	FAIR - WINGS BROKEN & DISPLACED, MINOR SPALLS, CRACKS, LT. HONEYCOMB AREAS, WING WALLS/ HEAD WALLS BROKEN OFF, DISPLACED			

LOAD RATING AND POSTING

31.	Design Load:	0 (UNKNOWN)	63.	Oper Rating Method:	0 (FIELD EVAL AND ENG JUDGEMENT)
64.	Operating Rating:	36	65.	Inv Rating Method:	0 (FIELD EVAL AND ENG JUDGEMENT)
66.	Inventory Rating:	36	66C.	Tons Posted:	Tons
66B.	Gross Tons or H Rating:	20 Tons	66D.	Date Posted/Closed:	
41.	Open, Posted, or Closed:	A (OPEN)	70.	Bridge Posting:	5 (EQUAL TO OR ABOVE LEGAL LOADS)

STRUCTURE INVENTORY AND APPRAISAL REPORT - 3

NBI Number: 2200077
Facility Carried: SPRING HILL RD

Bridge Number: 22-00504
Feature(s) Intersected: FALLING RUN CREEK

APPRAISAL

67.	Structural:	5
68.	Geometry:	4
69.	Underclearance:	N
71.	Waterway Adequacy:	7
36A.	Traffic Safety Features (Bridge Railings):	1 (MEETS ACCEPTABLE STANDARDS)
36B.	Traffic Safety Features (Transitions):	1 (MEETS ACCEPTABLE STANDARDS)
36C.	Traffic Safety Features (Approach Guardrail):	1 (MEETS ACCEPTABLE STANDARDS)
36D.	Traffic Safety Features (Approach Guardrail Ends):	1 (MEETS ACCEPTABLE STANDARDS)
72.	Roadway Alignment:	6 - BRIDGE UNDER STEEP, WINDING ROAD
	Material:	BITUMINOUS
	Comments:	NEW ASPHALT PATCH IS SETTLING OVER STR.
113.	Scour Critical Bridges:	8 (STABLE - EXCELLENT CONDITION)
	Comments:	

PROPOSED IMPROVEMENTS

75A.	Type of Work:	(NO WORK NEEDED.)
75B.	Work Done By:	0
76.	Improvement Length:	0 ft.
94.	Bridge Improvement Costs:	0 x 1000
95.	Roadway Improvement Costs:	0 x 1000
96.	Total Project Cost:	0 x 1000
97.	Year of Cost Estimate:	

RECOMMENDED MAINTENANCE

NO MAINTENANCE NEEDED.

INSPECTION DATA

90.	Date:	3/3/2020	91.	Des. Inspection Frequency:	24 Months
92.	Critical Feature Inspection:	A: N	B: N	C: N	
93.	Date:	A:	B:	C:	
	Unofficial Sufficiency Rating:	75.6			
	Unofficial Structural and Functional Classification:	0 (OK)			



LOOKING NORTH FROM ROAD



LOOKING SOUTH FROM ROAD



LOOKING WEST THROUGH CHANNEL



HAIRLINE CRACK IN BOTTOM BEAM 10 AT EAST COPING



See Additional Photographs

See on Township Map

FLOYD COUNTY - BRIDGE NO. 22-00505
SCRIBNER DR over FALLING RUN CREEK

STRUCTURE INVENTORY AND APPRAISAL REPORT - 1

NBI Number: 2200078
 Facility Carried: SCRIBNER DR

Bridge Number: 22-00505
 Feature(s) Intersected: FALLING RUN CREEK

IDENTIFICATION

1. State:	185 (INDIANA)	4. City/Town:	52326 (NEW ALBANY)
8. NBI Number:	2200078		
5. Inventory Route On:	1-5-2- 0-0	98. Border Bridge:	
2. District:	05 (SEYMOUR)	99. Border Bridge Number:	
3. County:	022 (FLOYD)		
6. Feat Intersected:	FALLING RUN CREEK	11. Mile Point (over):	0
7. Facility Carried:	SCRIBNER DR	16. Latitude:	38.28797
9. Location:	00.10 W OF STATE ST	17. Longitude:	-85.827515

STRUCTURE DATA

43A. Structure Type - Main Span:	5 (PRESTRESSED CONCRETE)	44. Structure Type - Approach:	000
43B. Structure Type - Main Span - Const.	05 (ADJACENT BOX BEAM)	45. Number of Spans - Main:	1
107. Deck Structure Type:	2 (CONCRETE PRECAST)	46. Number of Spans - Approach:	0000
108A. Wearing Surface:	6 (BITUMINOUS)	108B. Membrane:	8 (UNKNOWN)
108C. Protection	0 (NONE)		

AGE OF SERVICE

27. Year Built:	1970	106. Reconstructed:	0
42A. Type of Service Over:	5 (HIGHWAY/PEDESTRIAN)	42B. Type of Service Under:	5 (WATERWAY)
28A. Lanes on Structure:	2	28B. Lanes Under Structure:	0
29. ADT - Over:	1365 VPD	30. ADT Year Over:	2014
114. Future ADT:	2012 VPD	115. Future ADT Year:	2034
109. Average Truck Traffic:	3 %Trucks	19. Bypass Detour Length:	1 mi.

GEOMETRIC DATA

48. Maximum Span Length:	30 ft.	49. Structure Length:	32 ft.
50A. Sidewalk/Curb Left:	2.8 ft.	50B. Sidewalk/Curb Right:	2.8 ft.
51. Bridge Roadway Width:	24.2 ft.	52. Deck Width (O-O)	30 ft.
32. Approach Roadway Width:	21 ft.	33. Bridge Median:	0 (NO MEDIAN)
34. Skew:	0 Degree(s)	35. Structure Flared:	0 (NO FLARE)
10. Defense Vertical Clearance:	99.99	53. Vertical Clearance/Deck:	99.99 ft.
47. Total Horiz. Clearance:	24.2 ft.	54A. Min Vert Clear Code:	N
55A. Min Latr. Cl. Right - Code:	N	54B. Underclearance:	0 ft.
55B. Lateral Right:	0 ft.	56. Lateral Left:	0 ft.

STRUCTURE INVENTORY AND APPRAISAL REPORT - 2

NBI Number: 2200078
 Facility Carried: SCRIBNER DR

Bridge Number: 22-00505
 Feature(s) Intersected: FALLING RUN CREEK

NAVIGATION

38. Navigational Control:	0	40. Navigational Horizontal Clearance:	0 ft.
39. Navigational Vertical Clearance:	0 ft.	116. Vertical Clearance - Lift Bridge:	ft.
111. Pier/Abutment Protection:			

CLASSIFICATION

112. NBIS Bridge Length:	Y	12. Base Highway Network:	0
104. Highway System - Over:	0 (NOT ON NHS)	13A. LRS Inventory Route:	
26. Func. Class - Over:	19 (URBAN - LOCAL)	13B. LRS Inventory Subroute:	
100. Defense Highway Des:	0	101. Parallel Structure Des:	N
102. Direction of Traffic:	2 (2-WAY TRAFFIC)	103. Temporary Structure Des:	
110. Des. Nat. Network:	0	20. Toll:	3 (ON FREE ROAD-NO TOLL)
21. Maint. Responsibility:	02 (COUNTY HIGHWAY AGENCY)	22. Owner:	02 (COUNTY HIGHWAY AGENCY)
37. Historical Significance:	5 (NOT ELIGIBLE)		

CONDITION

58. Deck:	Material: CONCRETE	Rating:	7
GOOD - UNEVEN SIDEWALKS			
58.01. Wearing Surface:	Material: BITUMINOUS (2")	Rating:	7
GOOD - CRACKS			
59. Superstructure:	Material: CONCRETE	Rating:	6
SATIS - SPALL & EXPOSED STIRRUP BEAM #10, HL LONG. CRACK APPROX. 14' LONG ON BOTTOM OF BM, NEAR N END OF THE BEAM, EFFL. AND WATER SEEPAGE BETWEEN BEAMS			
60. Substructure:	Material: CONCRETE	Rating:	7
GOOD - TOPS OF FOOTINGS EXPOSED, VERT. HL CRACK AT CL OF N ABUTMENT			
61. Channel:	Material: NATURAL ROCK BOTTOM	Rating:	6
SATIS - LARGE ROCKS, TRASH			
62. Culvert/Ret:	Material: N/A	Rating:	N
N/A			

LOAD RATING AND POSTING

31. Design Load:	5 (HS 20)	63. Oper Rating Method:	3 (LOAD RESISTANCE FACTOR (LRFR))
64. Operating Rating:	71	65. Inv Rating Method:	3 (LOAD AND RESISTANCE FACTOR (LRFR))
66. Inventory Rating:	47	66C. Tons Posted:	Tons
66B. Gross Tons or H Rating:	30 Tons	66D. Date Posted/Closed:	
41. Open, Posted, or Closed:	A (OPEN)	70. Bridge Posting:	5 (EQUAL TO OR ABOVE LEGAL LOADS)

STRUCTURE INVENTORY AND APPRAISAL REPORT - 3

NBI Number: 2200078
 Facility Carried: SCRIBNER DR

Bridge Number: 22-00505
 Feature(s) Intersected: FALLING RUN CREEK

APPRAISAL

67.	Structural:	6
68.	Geometry:	4
69.	Underclearance:	N
71.	Waterway Adequacy:	9
36A.	Traffic Safety Features (Bridge Railings):	0 (DOES NOT MEET ACCEPTABLE STANDARDS/SAFETY FEATURE IS REQUIRED)
36B.	Traffic Safety Features (Transitions):	0 (DOES NOT MEET ACCEPTABLE STANDARDS/SAFETY FEATURE IS REQUIRED)
36C.	Traffic Safety Features (Approach Guardrail):	0 (DOES NOT MEET ACCEPTABLE STANDARDS/SAFETY FEATURE IS REQUIRED)
36D.	Traffic Safety Features (Approach Guardrail Ends):	0 (DOES NOT MEET ACCEPTABLE STANDARDS/SAFETY FEATURE IS REQUIRED)
72.	Roadway Alignment:	6 - LEVEL, CURVE BOTH WAYS, INT. WEST
	Material:	BITUMINOUS
	Comments:	SIDEWALKS SETTLED AT BR ENDS, TRANS. CRACKS
113.	Scour Critical Bridges:	5 (STABLE - WITHIN LIMITS)
	Comments:	

PROPOSED IMPROVEMENTS

75A.	Type of Work:	(NO WORK NEEDED.)
75B.	Work Done By:	0
76.	Improvement Length:	0 ft.
94.	Bridge Improvement Costs:	0 x 1000
95.	Roadway Improvement Costs:	0 x 1000
96.	Total Project Cost:	0 x 1000
97.	Year of Cost Estimate:	

RECOMMENDED MAINTENANCE

RECOMMEND INSTALLING CURRENT STD. BRIDGE & APPR. RAIL W/END TREATMENT AND NE & SW B.E.M.'S.

INSPECTION DATA

90.	Date:	3/3/2020	91.	Des. Inspection Frequency:	24 Months
92.	Critical Feature Inspection:	A: N	B: N	C: N	
93.	Date:	A:	B:	C:	
	Unofficial Sufficiency Rating:	79.8			
	Unofficial Structural and Functional Classification:	0 (OK)			



LOOKING NORTH FROM ROAD



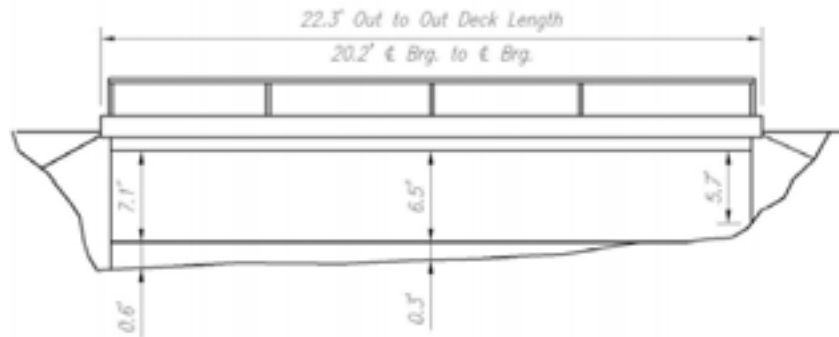
LOOKING SOUTH FROM ROAD



LOOKING WEST DOWNSTREAM



NW AT HEAVY EFFL. ON SLAB AND NORTH ABUT.



See Additional Photographs

See on Township Map

FLOYD COUNTY - BRIDGE NO. 22-00506
PAMELA DR over FALLING RUN CREEK

STRUCTURE INVENTORY AND APPRAISAL REPORT - 1

NBI Number: 2200079
 Facility Carried: PAMELA DR

Bridge Number: 22-00506
 Feature(s) Intersected: FALLING RUN CREEK

IDENTIFICATION

<table border="0" style="width: 100%;"> <tr><td style="width: 10%;">1.</td><td style="width: 30%;">State:</td><td style="width: 60%;">185 (INDIANA)</td></tr> <tr><td>8.</td><td>NBI Number:</td><td>2200079</td></tr> <tr><td>5.</td><td>Inventory Route On:</td><td>1-5-1- 0-0</td></tr> <tr><td>2.</td><td>District:</td><td>05 (SEYMOUR)</td></tr> <tr><td>3.</td><td>County:</td><td>022 (FLOYD)</td></tr> <tr><td>6.</td><td>Feat Intersected:</td><td>FALLING RUN CREEK</td></tr> <tr><td>7.</td><td>Facility Carried:</td><td>PAMELA DR</td></tr> <tr><td>9.</td><td>Location:</td><td>00.20 N OF DAISY LANE</td></tr> </table>	1.	State:	185 (INDIANA)	8.	NBI Number:	2200079	5.	Inventory Route On:	1-5-1- 0-0	2.	District:	05 (SEYMOUR)	3.	County:	022 (FLOYD)	6.	Feat Intersected:	FALLING RUN CREEK	7.	Facility Carried:	PAMELA DR	9.	Location:	00.20 N OF DAISY LANE	<table border="0" style="width: 100%;"> <tr><td style="width: 10%;">4.</td><td style="width: 30%;">City/Town:</td><td style="width: 60%;">52326 (NEW ALBANY)</td></tr> <tr><td>98.</td><td>Border Bridge:</td><td></td></tr> <tr><td>99.</td><td>Border Bridge Number:</td><td></td></tr> <tr><td>11.</td><td>Mile Point (over):</td><td>0</td></tr> <tr><td>16.</td><td>Latitude:</td><td>38.313</td></tr> <tr><td>17.</td><td>Longitude:</td><td>-85.832535</td></tr> </table>	4.	City/Town:	52326 (NEW ALBANY)	98.	Border Bridge:		99.	Border Bridge Number:		11.	Mile Point (over):	0	16.	Latitude:	38.313	17.	Longitude:	-85.832535
1.	State:	185 (INDIANA)																																									
8.	NBI Number:	2200079																																									
5.	Inventory Route On:	1-5-1- 0-0																																									
2.	District:	05 (SEYMOUR)																																									
3.	County:	022 (FLOYD)																																									
6.	Feat Intersected:	FALLING RUN CREEK																																									
7.	Facility Carried:	PAMELA DR																																									
9.	Location:	00.20 N OF DAISY LANE																																									
4.	City/Town:	52326 (NEW ALBANY)																																									
98.	Border Bridge:																																										
99.	Border Bridge Number:																																										
11.	Mile Point (over):	0																																									
16.	Latitude:	38.313																																									
17.	Longitude:	-85.832535																																									

STRUCTURE DATA

<table border="0" style="width: 100%;"> <tr><td style="width: 10%;">43A.</td><td style="width: 30%;">Structure Type - Main Span:</td><td style="width: 60%;">1 (CONCRETE)</td></tr> <tr><td>43B.</td><td>Structure Type - Main Span - Const.</td><td>01 (SLAB)</td></tr> <tr><td>107.</td><td>Deck Structure Type:</td><td>1 (CONCRETE CAST-IN-PLACE)</td></tr> <tr><td>108A.</td><td>Wearing Surface:</td><td>6 (BITUMINOUS)</td></tr> <tr><td>108C.</td><td>Protection</td><td>0 (NONE)</td></tr> </table>	43A.	Structure Type - Main Span:	1 (CONCRETE)	43B.	Structure Type - Main Span - Const.	01 (SLAB)	107.	Deck Structure Type:	1 (CONCRETE CAST-IN-PLACE)	108A.	Wearing Surface:	6 (BITUMINOUS)	108C.	Protection	0 (NONE)	<table border="0" style="width: 100%;"> <tr><td style="width: 10%;">44.</td><td style="width: 30%;">Structure Type - Approach:</td><td style="width: 60%;">000</td></tr> <tr><td>45.</td><td>Number of Spans - Main:</td><td>1</td></tr> <tr><td>46.</td><td>Number of Spans - Approach:</td><td>0000</td></tr> <tr><td>108B.</td><td>Membrane:</td><td>8 (UNKNOWN)</td></tr> </table>	44.	Structure Type - Approach:	000	45.	Number of Spans - Main:	1	46.	Number of Spans - Approach:	0000	108B.	Membrane:	8 (UNKNOWN)
43A.	Structure Type - Main Span:	1 (CONCRETE)																										
43B.	Structure Type - Main Span - Const.	01 (SLAB)																										
107.	Deck Structure Type:	1 (CONCRETE CAST-IN-PLACE)																										
108A.	Wearing Surface:	6 (BITUMINOUS)																										
108C.	Protection	0 (NONE)																										
44.	Structure Type - Approach:	000																										
45.	Number of Spans - Main:	1																										
46.	Number of Spans - Approach:	0000																										
108B.	Membrane:	8 (UNKNOWN)																										

AGE OF SERVICE

<table border="0" style="width: 100%;"> <tr><td style="width: 10%;">27.</td><td style="width: 30%;">Year Built:</td><td style="width: 60%;">1949</td></tr> <tr><td>42A.</td><td>Type of Service Over:</td><td>5 (HIGHWAY/PEDESTRIAN)</td></tr> <tr><td>28A.</td><td>Lanes on Structure:</td><td>2</td></tr> <tr><td>29.</td><td>ADT - Over:</td><td>779 VPD</td></tr> <tr><td>114.</td><td>Future ADT:</td><td>1149 VPD</td></tr> <tr><td>109.</td><td>Average Truck Traffic:</td><td>5 %Trucks</td></tr> </table>	27.	Year Built:	1949	42A.	Type of Service Over:	5 (HIGHWAY/PEDESTRIAN)	28A.	Lanes on Structure:	2	29.	ADT - Over:	779 VPD	114.	Future ADT:	1149 VPD	109.	Average Truck Traffic:	5 %Trucks	<table border="0" style="width: 100%;"> <tr><td style="width: 10%;">106.</td><td style="width: 30%;">Reconstructed:</td><td style="width: 60%;">0</td></tr> <tr><td>42B.</td><td>Type of Service Under:</td><td>5 (WATERWAY)</td></tr> <tr><td>28B.</td><td>Lanes Under Structure:</td><td>0</td></tr> <tr><td>30.</td><td>ADT Year Over:</td><td>2014</td></tr> <tr><td>115.</td><td>Future ADT Year:</td><td>2034</td></tr> <tr><td>19.</td><td>Bypass Detour Length:</td><td>1 mi.</td></tr> </table>	106.	Reconstructed:	0	42B.	Type of Service Under:	5 (WATERWAY)	28B.	Lanes Under Structure:	0	30.	ADT Year Over:	2014	115.	Future ADT Year:	2034	19.	Bypass Detour Length:	1 mi.
27.	Year Built:	1949																																			
42A.	Type of Service Over:	5 (HIGHWAY/PEDESTRIAN)																																			
28A.	Lanes on Structure:	2																																			
29.	ADT - Over:	779 VPD																																			
114.	Future ADT:	1149 VPD																																			
109.	Average Truck Traffic:	5 %Trucks																																			
106.	Reconstructed:	0																																			
42B.	Type of Service Under:	5 (WATERWAY)																																			
28B.	Lanes Under Structure:	0																																			
30.	ADT Year Over:	2014																																			
115.	Future ADT Year:	2034																																			
19.	Bypass Detour Length:	1 mi.																																			

GEOMETRIC DATA

<table border="0" style="width: 100%;"> <tr><td style="width: 10%;">48.</td><td style="width: 30%;">Maximum Span Length:</td><td style="width: 60%;">20.2 ft.</td></tr> <tr><td>50A.</td><td>Sidewalk/Curb Left:</td><td>2.6 ft.</td></tr> <tr><td>51.</td><td>Bridge Roadway Width:</td><td>32.5 ft.</td></tr> <tr><td>32.</td><td>Approach Roadway Width:</td><td>30 ft.</td></tr> <tr><td>34.</td><td>Skew:</td><td>5 Degree(s)</td></tr> <tr><td>10.</td><td>Defense Vertical Clearance:</td><td>99.99</td></tr> <tr><td>47.</td><td>Total Horiz. Clearance:</td><td>36.5 ft.</td></tr> <tr><td>55A.</td><td>Min Latr. Cl. Right - Code:</td><td>N</td></tr> <tr><td>55B.</td><td>Lateral Right:</td><td>0 ft.</td></tr> </table>	48.	Maximum Span Length:	20.2 ft.	50A.	Sidewalk/Curb Left:	2.6 ft.	51.	Bridge Roadway Width:	32.5 ft.	32.	Approach Roadway Width:	30 ft.	34.	Skew:	5 Degree(s)	10.	Defense Vertical Clearance:	99.99	47.	Total Horiz. Clearance:	36.5 ft.	55A.	Min Latr. Cl. Right - Code:	N	55B.	Lateral Right:	0 ft.	<table border="0" style="width: 100%;"> <tr><td style="width: 10%;">49.</td><td style="width: 30%;">Structure Length:</td><td style="width: 60%;">22.3 ft.</td></tr> <tr><td>50B.</td><td>Sidewalk/Curb Right:</td><td>2.6 ft.</td></tr> <tr><td>52.</td><td>Deck Width (O-O)</td><td>37.5 ft.</td></tr> <tr><td>33.</td><td>Bridge Median:</td><td>0 (NO MEDIAN)</td></tr> <tr><td>35.</td><td>Structure Flared:</td><td>0 (NO FLARE)</td></tr> <tr><td>53.</td><td>Vertical Clearance/Deck:</td><td>99.99 ft.</td></tr> <tr><td>54A.</td><td>Min Vert Clear Code:</td><td>N</td></tr> <tr><td>54B.</td><td>Underclearance:</td><td>0 ft.</td></tr> <tr><td>56.</td><td>Lateral Left:</td><td>0 ft.</td></tr> </table>	49.	Structure Length:	22.3 ft.	50B.	Sidewalk/Curb Right:	2.6 ft.	52.	Deck Width (O-O)	37.5 ft.	33.	Bridge Median:	0 (NO MEDIAN)	35.	Structure Flared:	0 (NO FLARE)	53.	Vertical Clearance/Deck:	99.99 ft.	54A.	Min Vert Clear Code:	N	54B.	Underclearance:	0 ft.	56.	Lateral Left:	0 ft.
48.	Maximum Span Length:	20.2 ft.																																																					
50A.	Sidewalk/Curb Left:	2.6 ft.																																																					
51.	Bridge Roadway Width:	32.5 ft.																																																					
32.	Approach Roadway Width:	30 ft.																																																					
34.	Skew:	5 Degree(s)																																																					
10.	Defense Vertical Clearance:	99.99																																																					
47.	Total Horiz. Clearance:	36.5 ft.																																																					
55A.	Min Latr. Cl. Right - Code:	N																																																					
55B.	Lateral Right:	0 ft.																																																					
49.	Structure Length:	22.3 ft.																																																					
50B.	Sidewalk/Curb Right:	2.6 ft.																																																					
52.	Deck Width (O-O)	37.5 ft.																																																					
33.	Bridge Median:	0 (NO MEDIAN)																																																					
35.	Structure Flared:	0 (NO FLARE)																																																					
53.	Vertical Clearance/Deck:	99.99 ft.																																																					
54A.	Min Vert Clear Code:	N																																																					
54B.	Underclearance:	0 ft.																																																					
56.	Lateral Left:	0 ft.																																																					

STRUCTURE INVENTORY AND APPRAISAL REPORT - 2

NBI Number: 2200079
 Facility Carried: PAMELA DR

Bridge Number: 22-00506
 Feature(s) Intersected: FALLING RUN CREEK

NAVIGATION

38. Navigational Control:	0	40. Navigational Horizontal Clearance:	0 ft.
39. Navigational Vertical Clearance:	0 ft.	116. Vertical Clearance - Lift Bridge:	ft.
111. Pier/Abutment Protection:			

CLASSIFICATION

112. NBIS Bridge Length:	Y	12. Base Highway Network:	0
104. Highway System - Over:	0 (NOT ON NHS)	13A. LRS Inventory Route:	
26. Func. Class - Over:	17 (URBAN - COLLECTOR)	13B. LRS Inventory Subroute:	
100. Defense Highway Des:	0	101. Parallel Structure Des:	N
102. Direction of Traffic:	2 (2-WAY TRAFFIC)	103. Temporary Structure Des:	
110. Des. Nat. Network:	0	20. Toll:	3 (ON FREE ROAD-NO TOLL)
21. Maint. Responsibility:	02 (COUNTY HIGHWAY AGENCY)	22. Owner:	02 (COUNTY HIGHWAY AGENCY)
37. Historical Significance:	5 (NOT ELIGIBLE)		

CONDITION

58. Deck:	Material: CONCRETE	Rating:	5
FAIR - CRACKS, LIGHT TO HEAVY EFFL., CONC. CURBS SPALLING AND DETERIORATING			
58.01. Wearing Surface:	Material: BITUMINOUS (1")	Rating:	6
SATIS - HEAVY. DETERIORATION/ SPALLING, MINOR CRACKS, DELAMINATION UNDER THE BITUMINOUS WEARING SURFACE			
59. Superstructure:	Material: CONCRETE CRCS	Rating:	5
FAIR - EXTENSIVE CRACKING & EFFL. THROUGHOUT BOTTOM OF SLAB, STR. SAGS THROUGH SPAN, LIKELY FROM INITIAL CONSTRUCTION, SLIGHT SAG IN CRACKS			
60. Substructure:	Material: CONCRETE	Rating:	5
FAIR - VERTICAL CRACKS WITH EFFL. AND AREAS OF HONEYCOMBING IN BOTH ABUTMENTS			
61. Channel:	Material: NATURAL & LG CONC. CHUNKS	Rating:	6
SATIS - FLOW ALONG S ABUTMENT			
62. Culvert/Ret:	Material: N/A	Rating:	N
N/A			

LOAD RATING AND POSTING

31. Design Load:	0 (UNKNOWN)	63. Oper Rating Method:	0 (FIELD EVAL AND ENG JUDGEMENT)
64. Operating Rating:	25	65. Inv Rating Method:	0 (FIELD EVAL AND ENG JUDGEMENT)
66. Inventory Rating:	22	66C. Tons Posted:	10 Tons
66B. Gross Tons or H Rating:	10 Tons	66D. Date Posted/Closed:	8/1/2007
41. Open, Posted, or Closed:	P (POSTED FOR LOAD)	70. Bridge Posting:	2 (3-5 TONS)

STRUCTURE INVENTORY AND APPRAISAL REPORT - 3

NBI Number: 2200079
 Facility Carried: PAMELA DR

Bridge Number: 22-00506
 Feature(s) Intersected: FALLING RUN CREEK

APPRAISAL

67.	Structural:	5
68.	Geometry:	6
69.	Underclearance:	N
71.	Waterway Adequacy:	8
36A.	Traffic Safety Features (Bridge Railings):	0 (DOES NOT MEET ACCEPTABLE STANDARDS/SAFETY FEATURE IS REQUIRED)
36B.	Traffic Safety Features (Transitions):	0 (DOES NOT MEET ACCEPTABLE STANDARDS/SAFETY FEATURE IS REQUIRED)
36C.	Traffic Safety Features (Approach Guardrail):	0 (DOES NOT MEET ACCEPTABLE STANDARDS/SAFETY FEATURE IS REQUIRED)
36D.	Traffic Safety Features (Approach Guardrail Ends):	0 (DOES NOT MEET ACCEPTABLE STANDARDS/SAFETY FEATURE IS REQUIRED)
72.	Roadway Alignment:	6 - BRIDGE IN H. CURVE & ON SLIGHT HUMP
	Material:	BITUMINOUS
	Comments:	SETTLING AT BRIDGE CORNERS, SETTLED, CRKS
113.	Scour Critical Bridges:	8 (STABLE - EXCELLENT CONDITION)
	Comments:	

PROPOSED IMPROVEMENTS

75A.	Type of Work:	31 (REPLACE BRIDGE DUE TO DETERIORATION OF SUPERSTRUCTURE AND TO INCREASE LOAD CAPACITY.)
75B.	Work Done By:	1 (CONTRACT)
76.	Improvement Length:	43 ft.
94.	Bridge Improvement Costs:	202 x 1000
95.	Roadway Improvement Costs:	184 x 1000
96.	Total Project Cost:	488 x 1000
97.	Year of Cost Estimate:	2020

RECOMMENDED MAINTENANCE

UNTIL BRIDGE REPLACEMENT RECOMMEND INSTALLING CURRENT STD. BRIDGE & APPR. RAIL W/END TREATMENT AND NE & SW B.E.M.'S. CLEAN ON REPLACE VANDALIZED NORTH LOAD LIMIT SIGN.

INSPECTION DATA

90.	Date:	3/3/2020	91.	Des. Inspection Frequency:	24 Months
92.	Critical Feature Inspection:	A: N	B: N	C: N	
93.	Date:	A:	B:	C:	

Unofficial Sufficiency Rating: 70.7
 Unofficial Structural and Functional Classification: 0 (OK)



LOOKING NORTH FROM ROAD



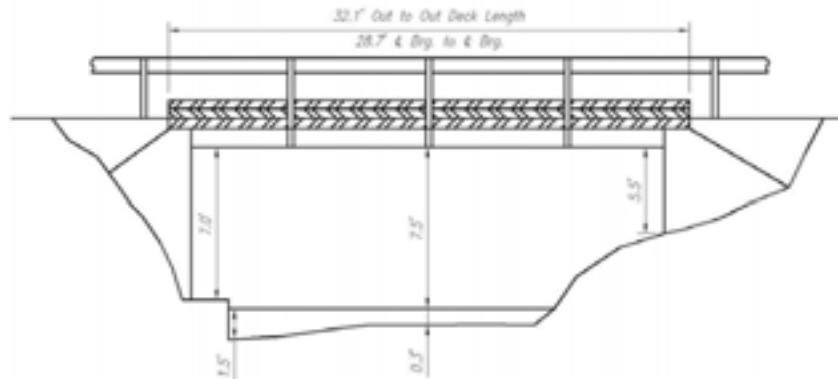
LOOKING SOUTH FROM ROAD



LOOKING EAST DOWNSTREAM



LOOKING NORTH AT NORTH FOOTING EXPOSED



See on
Township Map

FLOYD COUNTY - BRIDGE NO. 22-00507
WILLIAM LN over MIDDLE CREEK

STRUCTURE INVENTORY AND APPRAISAL REPORT - 1

NBI Number: 2200080
 Facility Carried: WILLIAM LN

Bridge Number: 22-00507
 Feature(s) Intersected: MIDDLE CREEK

IDENTIFICATION

<p>1. State: 185 (INDIANA)</p> <p>8. NBI Number: 2200080</p> <p>5. Inventory Route On: 1-5-1- 0-0</p> <p>2. District: 05 (SEYMOUR)</p> <p>3. County: 022 (FLOYD)</p> <p>6. Feat Intersected: MIDDLE CREEK</p> <p>7. Facility Carried: WILLIAM LN</p> <p>9. Location: 00.10 S CORYDON PIKE</p>	<p>4. City/Town: 52326 (NEW ALBANY)</p> <p>98. Border Bridge:</p> <p>99. Border Bridge Number:</p> <p>11. Mile Point (over): 0</p> <p>16. Latitude: 38.27981</p> <p>17. Longitude: -85.859489</p>
---	---

STRUCTURE DATA

<p>43A. Structure Type - Main Span: 5 (PRESTRESSED CONCRETE)</p> <p>43B. Structure Type - Main Span - Const. 05 (ADJACENT BOX BEAM)</p> <p>107. Deck Structure Type: 1 (CONCRETE CAST-IN-PLACE)</p> <p>108A. Wearing Surface: 1 (MONOLITHIC CONCRETE)</p> <p>108C. Protection 1 (EPOXY COATED REINFORCING)</p>	<p>44. Structure Type - Approach: 000</p> <p>45. Number of Spans - Main: 1</p> <p>46. Number of Spans - Approach: 0000</p> <p>108B. Membrane: 8 (UNKNOWN)</p>
--	---

AGE OF SERVICE

<p>27. Year Built: 1952</p> <p>42A. Type of Service Over: 1 (HIGHWAY)</p> <p>28A. Lanes on Structure: 2</p> <p>29. ADT - Over: 327 VPD</p> <p>114. Future ADT: 3952 VPD</p> <p>109. Average Truck Traffic: 6 %Trucks</p>	<p>106. Reconstructed: 2008</p> <p>42B. Type of Service Under: 5 (WATERWAY)</p> <p>28B. Lanes Under Structure: 0</p> <p>30. ADT Year Over: 2014</p> <p>115. Future ADT Year: 2034</p> <p>19. Bypass Detour Length: 2 mi.</p>
--	--

GEOMETRIC DATA

<p>48. Maximum Span Length: 28.7 ft.</p> <p>50A. Sidewalk/Curb Left: 0.0 ft.</p> <p>51. Bridge Roadway Width: 20 ft.</p> <p>32. Approach Roadway Width: 18 ft.</p> <p>34. Skew: 10 Degree(s)</p> <p>10. Defense Vertical Clearance: 99.99</p> <p>47. Total Horiz. Clearance: 20 ft.</p> <p>55A. Min Latr. Cl. Right - Code: N</p> <p>55B. Lateral Right: 0 ft.</p>	<p>49. Structure Length: 30.5 ft.</p> <p>50B. Sidewalk/Curb Right: 0.0 ft.</p> <p>52. Deck Width (O-O) 20.6 ft.</p> <p>33. Bridge Median: 0 (NO MEDIAN)</p> <p>35. Structure Flared: 0 (NO FLARE)</p> <p>53. Vertical Clearance/Deck: 99.99 ft.</p> <p>54A. Min Vert Clear Code: N</p> <p>54B. Underclearance: 0 ft.</p> <p>56. Lateral Left: 0 ft.</p>
--	---

STRUCTURE INVENTORY AND APPRAISAL REPORT - 2

NBI Number: 2200080
 Facility Carried: WILLIAM LN

Bridge Number: 22-00507
 Feature(s) Intersected: MIDDLE CREEK

NAVIGATION

38. Navigational Control:	0	40. Navigational Horizontal Clearance:	0 ft.
39. Navigational Vertical Clearance:	0 ft.	116. Vertical Clearance - Lift Bridge:	ft.
111. Pier/Abutment Protection:			

CLASSIFICATION

112. NBIS Bridge Length:	Y	12. Base Highway Network:	0
104. Highway System - Over:	0 (NOT ON NHS)	13A. LRS Inventory Route:	
26. Func. Class - Over:	17 (URBAN - COLLECTOR)	13B. LRS Inventory Subroute:	
100. Defense Highway Des:	0	101. Parallel Structure Des:	N
102. Direction of Traffic:	2 (2-WAY TRAFFIC)	103. Temporary Structure Des:	
110. Des. Nat. Network:	0	20. Toll:	3 (ON FREE ROAD-NO TOLL)
21. Maint. Responsibility:	02 (COUNTY HIGHWAY AGENCY)	22. Owner:	02 (COUNTY HIGHWAY AGENCY)
37. Historical Significance:	5 (NOT ELIGIBLE)		

CONDITION

58. Deck:	Material: CONCRETE	Rating:	7
GOOD - SPALLS ON COPING			
58.01. Wearing Surface:	Material: CONCRETE	Rating:	8
VERY GOOD - NO MAJOR DEFECTS			
59. Superstructure:	Material: CONCRETE	Rating:	8
VERY GOOD - NO MAJOR DEFECTS			
60. Substructure:	Material: CONCRETE	Rating:	6
SATIS - SPALLS AT ALL 4 CORNERS, NE, NW, AND SE HAVE REDUCED BEARING AREAS			
61. Channel:	Material: CONC SLURRY COVERED RIPRAP	Rating:	7
GOOD - NORTH TOEWALL EXPOSED			
62. Culvert/Ret:	Material: N/A	Rating:	N
N/A			

LOAD RATING AND POSTING

31. Design Load:	5 (HS 20)	63. Oper Rating Method:	3 (LOAD RESISTANCE FACTOR (LRFR))
64. Operating Rating:	77	65. Inv Rating Method:	3 (LOAD AND RESISTANCE FACTOR (LRFR))
66. Inventory Rating:	56	66C. Tons Posted:	Tons
66B. Gross Tons or H Rating:	40 Tons	66D. Date Posted/Closed:	
41. Open, Posted, or Closed:	A (OPEN)	70. Bridge Posting:	5 (EQUAL TO OR ABOVE LEGAL LOADS)

STRUCTURE INVENTORY AND APPRAISAL REPORT - 3

NBI Number: 2200080
 Facility Carried: WILLIAM LN

Bridge Number: 22-00507
 Feature(s) Intersected: MIDDLE CREEK

APPRAISAL

67.	Structural:	6
68.	Geometry:	4
69.	Underclearance:	N
71.	Waterway Adequacy:	7
36A.	Traffic Safety Features (Bridge Railings):	1 (MEETS ACCEPTABLE STANDARDS)
36B.	Traffic Safety Features (Transitions):	1 (MEETS ACCEPTABLE STANDARDS)
36C.	Traffic Safety Features (Approach Guardrail):	0 (DOES NOT MEET ACCEPTABLE STANDARDS/SAFETY FEATURE IS REQUIRED)
36D.	Traffic Safety Features (Approach Guardrail Ends):	1 (MEETS ACCEPTABLE STANDARDS)
72.	Roadway Alignment:	6 - RR HUMP & CURVE SOUTH, INT. NORTH
	Material:	BITUMINOUS
	Comments:	LONG. AND TRANS. CRACKING, SETTLING AT BRIDGE CORNERS
113.	Scour Critical Bridges:	5 (STABLE - WITHIN LIMITS)
	Comments:	

PROPOSED IMPROVEMENTS

75A.	Type of Work:	(NO WORK NEEDED.)
75B.	Work Done By:	0
76.	Improvement Length:	0 ft.
94.	Bridge Improvement Costs:	0 x 1000
95.	Roadway Improvement Costs:	0 x 1000
96.	Total Project Cost:	0 x 1000
97.	Year of Cost Estimate:	

RECOMMENDED MAINTENANCE

RECOMMEND INSTALLING CURRENT STD. APPR. RAIL.

INSPECTION DATA

90.	Date:	3/3/2020	91.	Des. Inspection Frequency:	24 Months
92.	Critical Feature Inspection:	A: N	B: N	C: N	
93.	Date:	A:	B:	C:	
	Unofficial Sufficiency Rating:	82.9			
	Unofficial Structural and Functional Classification:	0 (OK)			



LOOKING NORTH FROM ROAD



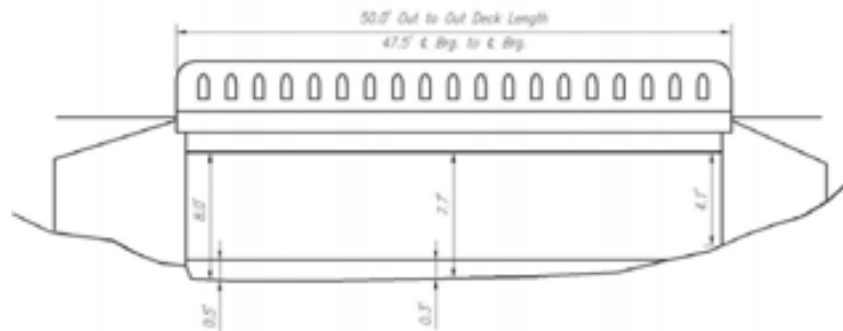
LOOKING SOUTH FROM ROAD



LOOKING EAST DOWNSTREAM



LOOKING NORTH AT NORTH ABUTMENT



See Additional Photographs

See on Township Map

FLOYD COUNTY - BRIDGE NO. 22-00508
GRAYBROOK LN over FALLING RUN CREEK

STRUCTURE INVENTORY AND APPRAISAL REPORT - 1

NBI Number: 2200081 Facility Carried: GRAYBROOK LN	Bridge Number: 22-00508 Feature(s) Intersected: FALLING RUN CREEK
---	--

IDENTIFICATION

1. State: 185 (INDIANA) 8. NBI Number: 2200081 5. Inventory Route On: 1-5-1- 0-0 2. District: 05 (SEYMOUR) 3. County: 022 (FLOYD) 6. Feat Intersected: FALLING RUN CREEK 7. Facility Carried: GRAYBROOK LN 9. Location: 00.30 S OF DAISY LANE	4. City/Town: 52326 (NEW ALBANY) 98. Border Bridge: 99. Border Bridge Number: 11. Mile Point (over): 0 16. Latitude: 38.30111 17. Longitude: -85.822906
--	--

STRUCTURE DATA

43A. Structure Type - Main Span: 5 (PRESTRESSED CONCRETE) 43B. Structure Type - Main Span - Const. 05 (ADJACENT BOX BEAM) 107. Deck Structure Type: 2 (CONCRETE PRECAST) 108A. Wearing Surface: 6 (BITUMINOUS) 108C. Protection 0 (NONE)	44. Structure Type - Approach: 000 45. Number of Spans - Main: 1 46. Number of Spans - Approach: 0000 108B. Membrane: 8 (UNKNOWN)
--	--

AGE OF SERVICE

27. Year Built: 1977 42A. Type of Service Over: 5 (HIGHWAY/PEDESTRIAN) 28A. Lanes on Structure: 2 29. ADT - Over: 2992 VPD 114. Future ADT: 4411 VPD 109. Average Truck Traffic: 6 %Trucks	106. Reconstructed: 0 42B. Type of Service Under: 5 (WATERWAY) 28B. Lanes Under Structure: 0 30. ADT Year Over: 2014 115. Future ADT Year: 2034 19. Bypass Detour Length: 1 mi.
---	--

GEOMETRIC DATA

48. Maximum Span Length: 47.5 ft. 50A. Sidewalk/Curb Left: 3.1 ft. 51. Bridge Roadway Width: 32.5 ft. 32. Approach Roadway Width: 30 ft. 34. Skew: 0 Degree(s) 10. Defense Vertical Clearance: 99.99 47. Total Horiz. Clearance: 32.5 ft. 55A. Min Latr. Cl. Right - Code: N 55B. Lateral Right: 0 ft.	49. Structure Length: 50 ft. 50B. Sidewalk/Curb Right: 3.1 ft. 52. Deck Width (O-O) 40.5 ft. 33. Bridge Median: 0 (NO MEDIAN) 35. Structure Flared: 0 (NO FLARE) 53. Vertical Clearance/Deck: 99.99 ft. 54A. Min Vert Clear Code: N 54B. Underclearance: 0 ft. 56. Lateral Left: 0 ft.
--	--

STRUCTURE INVENTORY AND APPRAISAL REPORT - 2

NBI Number: 2200081
 Facility Carried: GRAYBROOK LN

Bridge Number: 22-00508
 Feature(s) Intersected: FALLING RUN CREEK

NAVIGATION

38. Navigational Control: 0	40. Navigational Horizontal Clearance: 0 ft.
39. Navigational Vertical Clearance: 0 ft.	116. Vertical Clearance - Lift Bridge: ft.
111. Pier/Abutment Protection:	

CLASSIFICATION

112. NBIS Bridge Length: Y	12. Base Highway Network: 0
104. Highway System - Over: 0 (NOT ON NHS)	13A. LRS Inventory Route:
26. Func. Class - Over: 17 (URBAN - COLLECTOR)	13B. LRS Inventory Subroute:
100. Defense Highway Des: 0	101. Parallel Structure Des: N
102. Direction of Traffic: 2 (2-WAY TRAFFIC)	103. Temporary Structure Des:
110. Des. Nat. Network: 0	20. Toll: 3 (ON FREE ROAD-NO TOLL)
21. Maint. Responsibility: 02 (COUNTY HIGHWAY AGENCY)	22. Owner: 02 (COUNTY HIGHWAY AGENCY)
37. Historical Significance: 5 (NOT ELIGIBLE)	

CONDITION

58. Deck:	Material: PRESTR. CONC. BOX BEAMS	Rating: 6	
SATIS - TREES OVERHANG ROADWAY, SOME WERE REMOVED			
58.01. Wearing Surface:	Material: BITUMINOUS (2")	Rating: 6	
SATIS - CRACKS AT BRIDGE ENDS			
59. Superstructure:	Material: PRESTR. CONC. BOX BEAMS	Rating: 6	
SATIS - SEEPAGE BETWEEN WIDENED BEAMSWITH EFFL. SEEPAGE BETWEEN INTERIOR BEAMS AT CENTERLINE			
60. Substructure:	Material: CONCRETE	Rating: 6	
SATIS - TOP OF NORTH FOOTING EXPOSED, 4 VERT. HL CRACKS RAND CRACKS WITH DELAMS AT BEARING AREAS ABOVE VERT. CRACKS IN N ABUTMENT, 4 VERT. HL CRACKS IN S ABUTMENT			
61. Channel:	Material: NATURAL ROCK BOTTOM	Rating: 6	
SATIS - TREES DOWNSTREAM SIDE OF STRUCTURE UNDER EAST COPING			
62. Culvert/Ret:	Material: N/A	Rating: N	
N/A			

LOAD RATING AND POSTING

31. Design Load: 5 (HS 20)	63. Oper Rating Method: 3 (LOAD RESISTANCE FACTOR (LRFR))
64. Operating Rating: 71	65. Inv Rating Method: 3 (LOAD AND RESISTANCE FACTOR (LRFR))
66. Inventory Rating: 50	66C. Tons Posted: Tons
66B. Gross Tons or H Rating: 39 Tons	66D. Date Posted/Closed:
41. Open, Posted, or Closed: A (OPEN)	70. Bridge Posting: 5 (EQUAL TO OR ABOVE LEGAL LOADS)

STRUCTURE INVENTORY AND APPRAISAL REPORT - 3

NBI Number: 2200081
 Facility Carried: GRAYBROOK LN

Bridge Number: 22-00508
 Feature(s) Intersected: FALLING RUN CREEK

APPRAISAL

67.	Structural:	6
68.	Geometry:	4
69.	Underclearance:	N
71.	Waterway Adequacy:	7
36A.	Traffic Safety Features (Bridge Railings):	1 (MEETS ACCEPTABLE STANDARDS)
36B.	Traffic Safety Features (Transitions):	0 (DOES NOT MEET ACCEPTABLE STANDARDS/SAFETY FEATURE IS REQUIRED)
36C.	Traffic Safety Features (Approach Guardrail):	0 (DOES NOT MEET ACCEPTABLE STANDARDS/SAFETY FEATURE IS REQUIRED)
36D.	Traffic Safety Features (Approach Guardrail Ends):	0 (DOES NOT MEET ACCEPTABLE STANDARDS/SAFETY FEATURE IS REQUIRED)
72.	Roadway Alignment:	8 - TANGENT, UPGRADE TO NORTH
	Material:	BITUMINOUS
	Comments:	PATCHED AT BRIDGE END AT S APPROACH SIDEWALKS ARE SETTLED AT ALL CORNERS
113.	Scour Critical Bridges:	5 (STABLE - WITHIN LIMITS)
	Comments:	

PROPOSED IMPROVEMENTS

75A.	Type of Work:	(NO WORK NEEDED.)
75B.	Work Done By:	0
76.	Improvement Length:	0 ft.
94.	Bridge Improvement Costs:	0 x 1000
95.	Roadway Improvement Costs:	0 x 1000
96.	Total Project Cost:	0 x 1000
97.	Year of Cost Estimate:	

RECOMMENDED MAINTENANCE

RECOMMEND INSTALLING CURRENT STD. APPR. RAIL W/END TREATMENT AND NE & SW B.E.M.'S.

INSPECTION DATA

90.	Date:	3/3/2020	91.	Des. Inspection Frequency:	24 Months
92.	Critical Feature Inspection:	A: N	B: N	C: N	
93.	Date:	A:	B:	C:	
	Unofficial Sufficiency Rating:	95.7			
	Unofficial Structural and Functional Classification:	0 (OK)			



LOOKING NORTH FROM ROAD



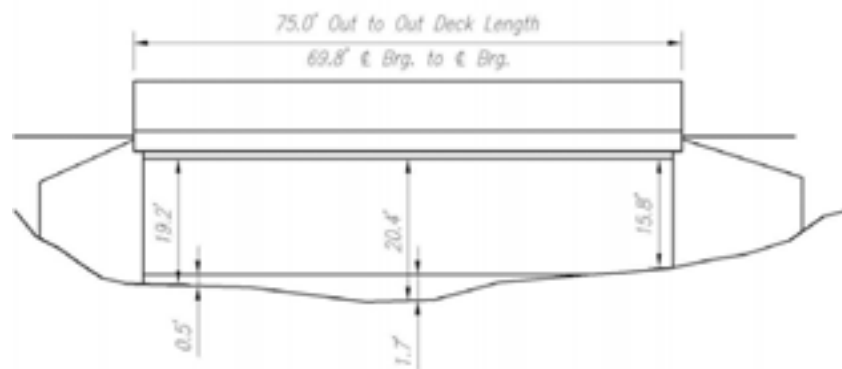
LOOKING SOUTH FROM ROAD



LOOKING WEST DOWNSTREAM



LOOKING SOUTH AT SOUTH ABUTMENT



See Additional Photographs

See on Township Map

FLOYD COUNTY - BRIDGE NO. 22-00509
PEARL ST over FALLING RUN CREEK

STRUCTURE INVENTORY AND APPRAISAL REPORT - 1

NBI Number: 2200082
 Facility Carried: PEARL ST

Bridge Number: 22-00509
 Feature(s) Intersected: FALLING RUN CREEK

IDENTIFICATION

1. State:	185 (INDIANA)	4. City/Town:	52326 (NEW ALBANY)
8. NBI Number:	2200082		
5. Inventory Route On:	1-5-1- 0-0	98. Border Bridge:	
2. District:	05 (SEYMOUR)	99. Border Bridge Number:	
3. County:	022 (FLOYD)		
6. Feat Intersected:	FALLING RUN CREEK	11. Mile Point (over):	0
7. Facility Carried:	PEARL ST	16. Latitude:	38.29021
9. Location:	00.30 N OF SPRING ST	17. Longitude:	-85.825134

STRUCTURE DATA

43A. Structure Type - Main Span:	5 (PRESTRESSED CONCRETE)	44. Structure Type - Approach:	000
43B. Structure Type - Main Span - Const.	05 (ADJACENT BOX BEAM)	45. Number of Spans - Main:	1
107. Deck Structure Type:	2 (CONCRETE PRECAST)	46. Number of Spans - Approach:	0000
108A. Wearing Surface:	6 (BITUMINOUS)	108B. Membrane:	8 (UNKNOWN)
108C. Protection	0 (NONE)		

AGE OF SERVICE

27. Year Built:	1920	106. Reconstructed:	1969
42A. Type of Service Over:	5 (HIGHWAY/PEDESTRIAN)	42B. Type of Service Under:	5 (WATERWAY)
28A. Lanes on Structure:	2	28B. Lanes Under Structure:	0
29. ADT - Over:	6719 VPD	30. ADT Year Over:	2014
114. Future ADT:	9903 VPD	115. Future ADT Year:	2034
109. Average Truck Traffic:	6 %Trucks	19. Bypass Detour Length:	1 mi.

GEOMETRIC DATA

48. Maximum Span Length:	69.8 ft.	49. Structure Length:	75 ft.
50A. Sidewalk/Curb Left:	3.3 ft.	50B. Sidewalk/Curb Right:	3.3 ft.
51. Bridge Roadway Width:	26.5 ft.	52. Deck Width (O-O)	34.3 ft.
32. Approach Roadway Width:	26 ft.	33. Bridge Median:	0 (NO MEDIAN)
34. Skew:	0 Degree(s)	35. Structure Flared:	0 (NO FLARE)
10. Defense Vertical Clearance:	99.99	53. Vertical Clearance/Deck:	99.99 ft.
47. Total Horiz. Clearance:	26.5 ft.	54A. Min Vert Clear Code:	N
55A. Min Latr. Cl. Right - Code:	N	54B. Underclearance:	0 ft.
55B. Lateral Right:	0 ft.	56. Lateral Left:	0 ft.

STRUCTURE INVENTORY AND APPRAISAL REPORT - 2

NBI Number: 2200082
 Facility Carried: PEARL ST

Bridge Number: 22-00509
 Feature(s) Intersected: FALLING RUN CREEK

NAVIGATION

38. Navigational Control:	0	40. Navigational Horizontal Clearance:	0 ft.
39. Navigational Vertical Clearance:	0 ft.	116. Vertical Clearance - Lift Bridge:	ft.
111. Pier/Abutment Protection:			

CLASSIFICATION

112. NBIS Bridge Length:	Y	12. Base Highway Network:	0
104. Highway System - Over:	0 (NOT ON NHS)	13A. LRS Inventory Route:	
26. Func. Class - Over:	17 (URBAN - COLLECTOR)	13B. LRS Inventory Subroute:	
100. Defense Highway Des:	0	101. Parallel Structure Des:	N
102. Direction of Traffic:	2 (2-WAY TRAFFIC)	103. Temporary Structure Des:	
110. Des. Nat. Network:	0	20. Toll:	3 (ON FREE ROAD-NO TOLL)
21. Maint. Responsibility:	02 (COUNTY HIGHWAY AGENCY)	22. Owner:	02 (COUNTY HIGHWAY AGENCY)
37. Historical Significance:	5 (NOT ELIGIBLE)		

CONDITION

58. Deck:	Material: CONCRETE	Rating:	7
GOOD - POPOUTS ON RAILING			
58.01. Wearing Surface:	Material: BITUMINOUS (2")	Rating:	7
GOOD - CRACKS AT BRIDGE ENDS			
59. Superstructure:	Material: CONCRETE	Rating:	5
FAIR - SEEPAGE BETWEEN BEAMS, HORIZONTAL HL CRACK 10" UP FROM BTM. ALONG E COPING BEAM, HL HORIZONTAL CRACKS AT BOTH ENDS OF W COPING BEAM			
60. Substructure:	Material: STONE	Rating:	6
SATIS - SOME STONES DETERIORATING SLIGHTLY			
61. Channel:	Material: NATURAL ROCK BOTTOM	Rating:	6
SATIS - STABLE, LARGE TREES ACROSS CHANNEL, FLOW ALONG SOUTH ABUTMENT			
62. Culvert/Ret:	Material: N/A	Rating:	N
N/A			

LOAD RATING AND POSTING

31. Design Load:	5 (HS 20)	63. Oper Rating Method:	3 (LOAD RESISTANCE FACTOR (LRFR))
64. Operating Rating:	55	65. Inv Rating Method:	3 (LOAD AND RESISTANCE FACTOR (LRFR))
66. Inventory Rating:	19	66C. Tons Posted:	Tons
66B. Gross Tons or H Rating:	16 Tons	66D. Date Posted/Closed:	
41. Open, Posted, or Closed:	A (OPEN)	70. Bridge Posting:	5 (EQUAL TO OR ABOVE LEGAL LOADS)

STRUCTURE INVENTORY AND APPRAISAL REPORT - 3

NBI Number: 2200082
Facility Carried: PEARL ST

Bridge Number: 22-00509
Feature(s) Intersected: FALLING RUN CREEK

APPRAISAL

67.	Structural:	4
68.	Geometry:	2
69.	Underclearance:	N
71.	Waterway Adequacy:	8
36A.	Traffic Safety Features (Bridge Railings):	1 (MEETS ACCEPTABLE STANDARDS)
36B.	Traffic Safety Features (Transitions):	0 (DOES NOT MEET ACCEPTABLE STANDARDS/SAFETY FEATURE IS REQUIRED)
36C.	Traffic Safety Features (Approach Guardrail):	0 (DOES NOT MEET ACCEPTABLE STANDARDS/SAFETY FEATURE IS REQUIRED)
36D.	Traffic Safety Features (Approach Guardrail Ends):	0 (DOES NOT MEET ACCEPTABLE STANDARDS/SAFETY FEATURE IS REQUIRED)
72.	Roadway Alignment:	8 - TANGENT, UPGRADE TO NORTH, CURVE SOUTH
	Material:	BITUMINOUS
	Comments:	SIDEWALK SETTLED AT BRIDGE ENDS, TRANS. CRACKS
113.	Scour Critical Bridges:	8 (STABLE - EXCELLENT CONDITION)
	Comments:	

PROPOSED IMPROVEMENTS

75A.	Type of Work:	(NO WORK NEEDED)
75B.	Work Done By:	0
76.	Improvement Length:	0 ft.
94.	Bridge Improvement Costs:	0 x 1000
95.	Roadway Improvement Costs:	0 x 1000
96.	Total Project Cost:	0 x 1000
97.	Year of Cost Estimate:	

RECOMMENDED MAINTENANCE

RECOMMEND INSTALLING CURRENT STANDARD APPROACH RAIL WITH END TREATMENT AND NE, SE AND SW B.E.M.'S.

INSPECTION DATA

90.	Date:	3/3/2020	91.	Des. Inspection Frequency:	24 Months
92.	Critical Feature Inspection:	A: N	B: N	C: N	
93.	Date:	A:	B:	C:	

Unofficial Sufficiency Rating: 48.2

Unofficial Structural and Functional Classification: 2 (FUNCTIONALLY OBSOLETE)



LOOKING SOUTH FROM ROAD



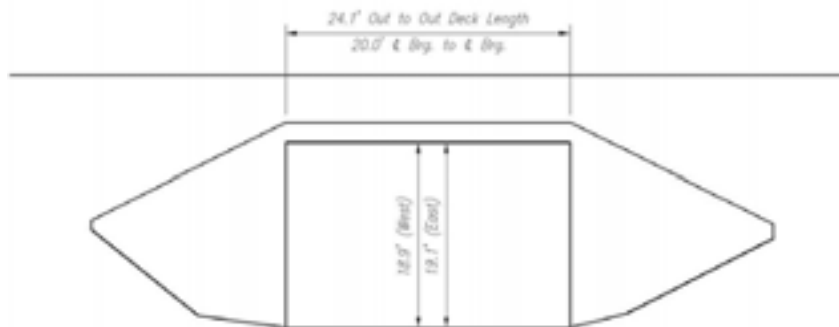
LOOKING NORTH FROM ROAD



LOOKING EAST DOWNSTREAM



LOOKING EAST AT HAIRLINE CRACKS WITH EFFL. AT THE



See Additional Photographs

See on Township Map

FLOYD COUNTY - BRIDGE NO. 22-00510
CHARLESTOWN RD over BLACKISTON RUN

STRUCTURE INVENTORY AND APPRAISAL REPORT - 1

NBI Number: 2200089
 Facility Carried: CHARLESTOWN RD

Bridge Number: 22-00510
 Feature(s) Intersected: BLACKISTON RUN

IDENTIFICATION

<table border="0" style="width: 100%;"> <tr><td style="width: 10%;">1.</td><td style="width: 30%;">State:</td><td style="width: 30%;">185 (INDIANA)</td></tr> <tr><td>8.</td><td>NBI Number:</td><td>2200089</td></tr> <tr><td>5.</td><td>Inventory Route On:</td><td>1-5-1- 0-0</td></tr> <tr><td>2.</td><td>District:</td><td>05 (SEYMOUR)</td></tr> <tr><td>3.</td><td>County:</td><td>022 (FLOYD)</td></tr> <tr><td>6.</td><td>Feat Intersected:</td><td>BLACKISTON RUN</td></tr> <tr><td>7.</td><td>Facility Carried:</td><td>CHARLESTOWN RD</td></tr> <tr><td>9.</td><td>Location:</td><td>00.70 S I-265</td></tr> </table>	1.	State:	185 (INDIANA)	8.	NBI Number:	2200089	5.	Inventory Route On:	1-5-1- 0-0	2.	District:	05 (SEYMOUR)	3.	County:	022 (FLOYD)	6.	Feat Intersected:	BLACKISTON RUN	7.	Facility Carried:	CHARLESTOWN RD	9.	Location:	00.70 S I-265	<table border="0" style="width: 100%;"> <tr><td style="width: 10%;">4.</td><td style="width: 30%;">City/Town:</td><td style="width: 30%;">52326 (NEW ALBANY)</td></tr> <tr><td>98.</td><td>Border Bridge:</td><td></td></tr> <tr><td>99.</td><td>Border Bridge Number:</td><td></td></tr> <tr><td>11.</td><td>Mile Point (over):</td><td>0</td></tr> <tr><td>16.</td><td>Latitude:</td><td>38.33443</td></tr> <tr><td>17.</td><td>Longitude:</td><td>-85.798798</td></tr> </table>	4.	City/Town:	52326 (NEW ALBANY)	98.	Border Bridge:		99.	Border Bridge Number:		11.	Mile Point (over):	0	16.	Latitude:	38.33443	17.	Longitude:	-85.798798
1.	State:	185 (INDIANA)																																									
8.	NBI Number:	2200089																																									
5.	Inventory Route On:	1-5-1- 0-0																																									
2.	District:	05 (SEYMOUR)																																									
3.	County:	022 (FLOYD)																																									
6.	Feat Intersected:	BLACKISTON RUN																																									
7.	Facility Carried:	CHARLESTOWN RD																																									
9.	Location:	00.70 S I-265																																									
4.	City/Town:	52326 (NEW ALBANY)																																									
98.	Border Bridge:																																										
99.	Border Bridge Number:																																										
11.	Mile Point (over):	0																																									
16.	Latitude:	38.33443																																									
17.	Longitude:	-85.798798																																									

STRUCTURE DATA

<table border="0" style="width: 100%;"> <tr><td style="width: 10%;">43A.</td><td style="width: 30%;">Structure Type - Main Span:</td><td style="width: 30%;">1 (CONCRETE)</td></tr> <tr><td>43B.</td><td>Structure Type - Main Span - Const.</td><td>19 (CULVERT)</td></tr> <tr><td>107.</td><td>Deck Structure Type:</td><td>N (N/A - UNDER FILL)</td></tr> <tr><td>108A.</td><td>Wearing Surface:</td><td>6 (BITUMINOUS)</td></tr> <tr><td>108C.</td><td>Protection</td><td>0 (NONE)</td></tr> </table>	43A.	Structure Type - Main Span:	1 (CONCRETE)	43B.	Structure Type - Main Span - Const.	19 (CULVERT)	107.	Deck Structure Type:	N (N/A - UNDER FILL)	108A.	Wearing Surface:	6 (BITUMINOUS)	108C.	Protection	0 (NONE)	<table border="0" style="width: 100%;"> <tr><td style="width: 10%;">44.</td><td style="width: 30%;">Structure Type - Approach:</td><td style="width: 30%;">000</td></tr> <tr><td>45.</td><td>Number of Spans - Main:</td><td>1</td></tr> <tr><td>46.</td><td>Number of Spans - Approach:</td><td>0000</td></tr> <tr><td>108B.</td><td>Membrane:</td><td>0 (NONE)</td></tr> </table>	44.	Structure Type - Approach:	000	45.	Number of Spans - Main:	1	46.	Number of Spans - Approach:	0000	108B.	Membrane:	0 (NONE)
43A.	Structure Type - Main Span:	1 (CONCRETE)																										
43B.	Structure Type - Main Span - Const.	19 (CULVERT)																										
107.	Deck Structure Type:	N (N/A - UNDER FILL)																										
108A.	Wearing Surface:	6 (BITUMINOUS)																										
108C.	Protection	0 (NONE)																										
44.	Structure Type - Approach:	000																										
45.	Number of Spans - Main:	1																										
46.	Number of Spans - Approach:	0000																										
108B.	Membrane:	0 (NONE)																										

AGE OF SERVICE

<table border="0" style="width: 100%;"> <tr><td style="width: 10%;">27.</td><td style="width: 30%;">Year Built:</td><td style="width: 30%;">2001</td></tr> <tr><td>42A.</td><td>Type of Service Over:</td><td>5 (HIGHWAY/PEDESTRIAN)</td></tr> <tr><td>28A.</td><td>Lanes on Structure:</td><td>5</td></tr> <tr><td>29.</td><td>ADT - Over:</td><td>26213 VPD</td></tr> <tr><td>114.</td><td>Future ADT:</td><td>38638 VPD</td></tr> <tr><td>109.</td><td>Average Truck Traffic:</td><td>5 %Trucks</td></tr> </table>	27.	Year Built:	2001	42A.	Type of Service Over:	5 (HIGHWAY/PEDESTRIAN)	28A.	Lanes on Structure:	5	29.	ADT - Over:	26213 VPD	114.	Future ADT:	38638 VPD	109.	Average Truck Traffic:	5 %Trucks	<table border="0" style="width: 100%;"> <tr><td style="width: 10%;">106.</td><td style="width: 30%;">Reconstructed:</td><td style="width: 30%;">0</td></tr> <tr><td>42B.</td><td>Type of Service Under:</td><td>5 (WATERWAY)</td></tr> <tr><td>28B.</td><td>Lanes Under Structure:</td><td>0</td></tr> <tr><td>30.</td><td>ADT Year Over:</td><td>2014</td></tr> <tr><td>115.</td><td>Future ADT Year:</td><td>2034</td></tr> <tr><td>19.</td><td>Bypass Detour Length:</td><td>2 mi.</td></tr> </table>	106.	Reconstructed:	0	42B.	Type of Service Under:	5 (WATERWAY)	28B.	Lanes Under Structure:	0	30.	ADT Year Over:	2014	115.	Future ADT Year:	2034	19.	Bypass Detour Length:	2 mi.
27.	Year Built:	2001																																			
42A.	Type of Service Over:	5 (HIGHWAY/PEDESTRIAN)																																			
28A.	Lanes on Structure:	5																																			
29.	ADT - Over:	26213 VPD																																			
114.	Future ADT:	38638 VPD																																			
109.	Average Truck Traffic:	5 %Trucks																																			
106.	Reconstructed:	0																																			
42B.	Type of Service Under:	5 (WATERWAY)																																			
28B.	Lanes Under Structure:	0																																			
30.	ADT Year Over:	2014																																			
115.	Future ADT Year:	2034																																			
19.	Bypass Detour Length:	2 mi.																																			

GEOMETRIC DATA

<table border="0" style="width: 100%;"> <tr><td style="width: 10%;">48.</td><td style="width: 30%;">Maximum Span Length:</td><td style="width: 30%;">24.1 ft.</td></tr> <tr><td>50A.</td><td>Sidewalk/Curb Left:</td><td>6.0 ft.</td></tr> <tr><td>51.</td><td>Bridge Roadway Width:</td><td>68 ft.</td></tr> <tr><td>32.</td><td>Approach Roadway Width:</td><td>68 ft.</td></tr> <tr><td>34.</td><td>Skew:</td><td>34 Degree(s)</td></tr> <tr><td>10.</td><td>Defense Vertical Clearance:</td><td>99.99</td></tr> <tr><td>47.</td><td>Total Horiz. Clearance:</td><td>68 ft.</td></tr> <tr><td>55A.</td><td>Min Latr. Cl. Right - Code:</td><td>N</td></tr> <tr><td>55B.</td><td>Lateral Right:</td><td>0 ft.</td></tr> </table>	48.	Maximum Span Length:	24.1 ft.	50A.	Sidewalk/Curb Left:	6.0 ft.	51.	Bridge Roadway Width:	68 ft.	32.	Approach Roadway Width:	68 ft.	34.	Skew:	34 Degree(s)	10.	Defense Vertical Clearance:	99.99	47.	Total Horiz. Clearance:	68 ft.	55A.	Min Latr. Cl. Right - Code:	N	55B.	Lateral Right:	0 ft.	<table border="0" style="width: 100%;"> <tr><td style="width: 10%;">49.</td><td style="width: 30%;">Structure Length:</td><td style="width: 30%;">27 ft.</td></tr> <tr><td>50B.</td><td>Sidewalk/Curb Right:</td><td>6.0 ft.</td></tr> <tr><td>52.</td><td>Deck Width (O-O)</td><td>68 ft.</td></tr> <tr><td>33.</td><td>Bridge Median:</td><td>1 (OPEN MEDIAN)</td></tr> <tr><td>35.</td><td>Structure Flared:</td><td>0 (NO FLARE)</td></tr> <tr><td>53.</td><td>Vertical Clearance/Deck:</td><td>99.99 ft.</td></tr> <tr><td>54A.</td><td>Min Vert Clear Code:</td><td>N</td></tr> <tr><td>54B.</td><td>Underclearance:</td><td>0 ft.</td></tr> <tr><td>56.</td><td>Lateral Left:</td><td>0 ft.</td></tr> </table>	49.	Structure Length:	27 ft.	50B.	Sidewalk/Curb Right:	6.0 ft.	52.	Deck Width (O-O)	68 ft.	33.	Bridge Median:	1 (OPEN MEDIAN)	35.	Structure Flared:	0 (NO FLARE)	53.	Vertical Clearance/Deck:	99.99 ft.	54A.	Min Vert Clear Code:	N	54B.	Underclearance:	0 ft.	56.	Lateral Left:	0 ft.
48.	Maximum Span Length:	24.1 ft.																																																					
50A.	Sidewalk/Curb Left:	6.0 ft.																																																					
51.	Bridge Roadway Width:	68 ft.																																																					
32.	Approach Roadway Width:	68 ft.																																																					
34.	Skew:	34 Degree(s)																																																					
10.	Defense Vertical Clearance:	99.99																																																					
47.	Total Horiz. Clearance:	68 ft.																																																					
55A.	Min Latr. Cl. Right - Code:	N																																																					
55B.	Lateral Right:	0 ft.																																																					
49.	Structure Length:	27 ft.																																																					
50B.	Sidewalk/Curb Right:	6.0 ft.																																																					
52.	Deck Width (O-O)	68 ft.																																																					
33.	Bridge Median:	1 (OPEN MEDIAN)																																																					
35.	Structure Flared:	0 (NO FLARE)																																																					
53.	Vertical Clearance/Deck:	99.99 ft.																																																					
54A.	Min Vert Clear Code:	N																																																					
54B.	Underclearance:	0 ft.																																																					
56.	Lateral Left:	0 ft.																																																					

STRUCTURE INVENTORY AND APPRAISAL REPORT - 2

NBI Number: 2200089
 Facility Carried: CHARLESTOWN RD

Bridge Number: 22-00510
 Feature(s) Intersected: BLACKISTON RUN

NAVIGATION

38. Navigational Control:	0	40. Navigational Horizontal Clearance:	0 ft.
39. Navigational Vertical Clearance:	0 ft.	116. Vertical Clearance - Lift Bridge:	ft.
111. Pier/Abutment Protection:			

CLASSIFICATION

112. NBIS Bridge Length:	Y	12. Base Highway Network:	0
104. Highway System - Over:	0 (NOT ON NHS)	13A. LRS Inventory Route:	
26. Func. Class - Over:	16 (URBAN - MINOR ARTERIAL)	13B. LRS Inventory Subroute:	
100. Defense Highway Des:	0	101. Parallel Structure Des:	N
102. Direction of Traffic:	2 (2-WAY TRAFFIC)	103. Temporary Structure Des:	
110. Des. Nat. Network:	0	20. Toll:	3 (ON FREE ROAD-NO TOLL)
21. Maint. Responsibility:	02 (COUNTY HIGHWAY AGENCY)	22. Owner:	02 (COUNTY HIGHWAY AGENCY)
37. Historical Significance:	5 (NOT ELIGIBLE)		

CONDITION

58. Deck:	Material: N/A	Rating:	N
	N/A		
58.01. Wearing Surface:	Material: BITUMINOUS (2")	Rating:	7
	GOOD - CRACKS		
59. Superstructure:	Material: N/A	Rating:	N
	N/A		
60. Substructure:	Material: N/A	Rating:	N
	N/A		
61. Channel:	Material: CONCRETE BOTTOM	Rating:	7
	GOOD - CONCRETE BOTTOM THRU CULVERT		
62. Culvert/Ret:	Material: 4-SIDED CONCRETE BOX	Rating:	7
	GOOD - VERTICAL HAIRLINE CRACKS W/ LT. EFFL. IN WALLS, LONG. HAIRLINE CRACKS IN TOP OF STRUCTURE. ALL WITH EFFL., SOME WITH RUST STAINS		

LOAD RATING AND POSTING

31. Design Load:	5 (HS 20)	63. Oper Rating Method:	0 (FIELD EVAL AND ENG JUDGEMENT)
64. Operating Rating:	36	65. Inv Rating Method:	0 (FIELD EVAL AND ENG JUDGEMENT)
66. Inventory Rating:	36	66C. Tons Posted:	Tons
66B. Gross Tons or H Rating:	20 Tons	66D. Date Posted/Closed:	
41. Open, Posted, or Closed:	A (OPEN)	70. Bridge Posting:	5 (EQUAL TO OR ABOVE LEGAL LOADS)

STRUCTURE INVENTORY AND APPRAISAL REPORT - 3

NBI Number: 2200089
Facility Carried: CHARLESTOWN RD

Bridge Number: 22-00510
Feature(s) Intersected: BLACKISTON RUN

APPRAISAL

67.	Structural:	7
68.	Geometry:	5
69.	Underclearance:	N
71.	Waterway Adequacy:	8
36A.	Traffic Safety Features (Bridge Railings):	1 (MEETS ACCEPTABLE STANDARDS)
36B.	Traffic Safety Features (Transitions):	1 (MEETS ACCEPTABLE STANDARDS)
36C.	Traffic Safety Features (Approach Guardrail):	1 (MEETS ACCEPTABLE STANDARDS)
36D.	Traffic Safety Features (Approach Guardrail Ends):	1 (MEETS ACCEPTABLE STANDARDS)
72.	Roadway Alignment:	6 - CURVE S., INT. N., IN SAG VERT. CURVE
	Material:	BITUMINOUS
	Comments:	CRACKS, SMALL POTHOLES
113.	Scour Critical Bridges:	8 (STABLE - EXCELLENT CONDITION)
	Comments:	

PROPOSED IMPROVEMENTS

75A.	Type of Work:	(NO WORK NEEDED.)
75B.	Work Done By:	0
76.	Improvement Length:	0 ft.
94.	Bridge Improvement Costs:	0 x 1000
95.	Roadway Improvement Costs:	0 x 1000
96.	Total Project Cost:	0 x 1000
97.	Year of Cost Estimate:	

RECOMMENDED MAINTENANCE

NO MAINTENANCE NEEDED.

INSPECTION DATA

90.	Date:	3/3/2020	91.	Des. Inspection Frequency:	24 Months
92.	Critical Feature Inspection:	A: N	B: N	C: N	
93.	Date:	A:	B:	C:	
	Unofficial Sufficiency Rating:	95.3			
	Unofficial Structural and Functional Classification:	0 (OK)			



LOOKING EAST FROM ROAD



LOOKING WEST FROM ROAD



LOOKING SOUTH DOWNSTREAM



LOOKING NORTH AT LOG JAM 50 FT. UPSTREAM



See Additional Photographs

See on Township Map

FLOYD COUNTY - BRIDGE NO. 22-00511
DAISY LN over TRINITY RUN

STRUCTURE INVENTORY AND APPRAISAL REPORT - 1

NBI Number: 2200083
 Facility Carried: DAISY LN

Bridge Number: 22-00511
 Feature(s) Intersected: TRINITY RUN

IDENTIFICATION

<table border="0" style="width: 100%;"> <tr><td style="width: 10%;">1.</td><td style="width: 30%;">State:</td><td style="width: 30%;">185 (INDIANA)</td></tr> <tr><td>8.</td><td>NBI Number:</td><td>2200083</td></tr> <tr><td>5.</td><td>Inventory Route On:</td><td>1-5-1- 0-0</td></tr> <tr><td>2.</td><td>District:</td><td>05 (SEYMOUR)</td></tr> <tr><td>3.</td><td>County:</td><td>022 (FLOYD)</td></tr> <tr><td>6.</td><td>Feat Intersected:</td><td>TRINITY RUN</td></tr> <tr><td>7.</td><td>Facility Carried:</td><td>DAISY LN</td></tr> <tr><td>9.</td><td>Location:</td><td>00.00 INT OF GREENVALLEY</td></tr> </table>	1.	State:	185 (INDIANA)	8.	NBI Number:	2200083	5.	Inventory Route On:	1-5-1- 0-0	2.	District:	05 (SEYMOUR)	3.	County:	022 (FLOYD)	6.	Feat Intersected:	TRINITY RUN	7.	Facility Carried:	DAISY LN	9.	Location:	00.00 INT OF GREENVALLEY	<table border="0" style="width: 100%;"> <tr><td style="width: 10%;">4.</td><td style="width: 30%;">City/Town:</td><td style="width: 30%;">52326 (NEW ALBANY)</td></tr> <tr><td>98.</td><td>Border Bridge:</td><td></td></tr> <tr><td>99.</td><td>Border Bridge Number:</td><td></td></tr> <tr><td>11.</td><td>Mile Point (over):</td><td>0</td></tr> <tr><td>16.</td><td>Latitude:</td><td>38.31007</td></tr> <tr><td>17.</td><td>Longitude:</td><td>-85.836189</td></tr> </table>	4.	City/Town:	52326 (NEW ALBANY)	98.	Border Bridge:		99.	Border Bridge Number:		11.	Mile Point (over):	0	16.	Latitude:	38.31007	17.	Longitude:	-85.836189
1.	State:	185 (INDIANA)																																									
8.	NBI Number:	2200083																																									
5.	Inventory Route On:	1-5-1- 0-0																																									
2.	District:	05 (SEYMOUR)																																									
3.	County:	022 (FLOYD)																																									
6.	Feat Intersected:	TRINITY RUN																																									
7.	Facility Carried:	DAISY LN																																									
9.	Location:	00.00 INT OF GREENVALLEY																																									
4.	City/Town:	52326 (NEW ALBANY)																																									
98.	Border Bridge:																																										
99.	Border Bridge Number:																																										
11.	Mile Point (over):	0																																									
16.	Latitude:	38.31007																																									
17.	Longitude:	-85.836189																																									

STRUCTURE DATA

<table border="0" style="width: 100%;"> <tr><td style="width: 10%;">43A.</td><td style="width: 30%;">Structure Type - Main Span:</td><td style="width: 30%;">5 (PRESTRESSED CONCRETE)</td></tr> <tr><td>43B.</td><td>Structure Type - Main Span - Const.</td><td>05 (ADJACENT BOX BEAM)</td></tr> <tr><td>107.</td><td>Deck Structure Type:</td><td>2 (CONCRETE PRECAST)</td></tr> <tr><td>108A.</td><td>Wearing Surface:</td><td>1 (MONOLITHIC CONCRETE)</td></tr> <tr><td>108C.</td><td>Protection</td><td>8 (UNKNOWN)</td></tr> </table>	43A.	Structure Type - Main Span:	5 (PRESTRESSED CONCRETE)	43B.	Structure Type - Main Span - Const.	05 (ADJACENT BOX BEAM)	107.	Deck Structure Type:	2 (CONCRETE PRECAST)	108A.	Wearing Surface:	1 (MONOLITHIC CONCRETE)	108C.	Protection	8 (UNKNOWN)	<table border="0" style="width: 100%;"> <tr><td style="width: 10%;">44.</td><td style="width: 30%;">Structure Type - Approach:</td><td style="width: 30%;">000</td></tr> <tr><td>45.</td><td>Number of Spans - Main:</td><td>1</td></tr> <tr><td>46.</td><td>Number of Spans - Approach:</td><td>0000</td></tr> <tr><td>108B.</td><td>Membrane:</td><td>8 (UNKNOWN)</td></tr> </table>	44.	Structure Type - Approach:	000	45.	Number of Spans - Main:	1	46.	Number of Spans - Approach:	0000	108B.	Membrane:	8 (UNKNOWN)
43A.	Structure Type - Main Span:	5 (PRESTRESSED CONCRETE)																										
43B.	Structure Type - Main Span - Const.	05 (ADJACENT BOX BEAM)																										
107.	Deck Structure Type:	2 (CONCRETE PRECAST)																										
108A.	Wearing Surface:	1 (MONOLITHIC CONCRETE)																										
108C.	Protection	8 (UNKNOWN)																										
44.	Structure Type - Approach:	000																										
45.	Number of Spans - Main:	1																										
46.	Number of Spans - Approach:	0000																										
108B.	Membrane:	8 (UNKNOWN)																										

AGE OF SERVICE

<table border="0" style="width: 100%;"> <tr><td style="width: 10%;">27.</td><td style="width: 30%;">Year Built:</td><td style="width: 30%;">1971</td></tr> <tr><td>42A.</td><td>Type of Service Over:</td><td>5 (HIGHWAY/PEDESTRIAN)</td></tr> <tr><td>28A.</td><td>Lanes on Structure:</td><td>3</td></tr> <tr><td>29.</td><td>ADT - Over:</td><td>6360 VPD</td></tr> <tr><td>114.</td><td>Future ADT:</td><td>9374 VPD</td></tr> <tr><td>109.</td><td>Average Truck Traffic:</td><td>6 %Trucks</td></tr> </table>	27.	Year Built:	1971	42A.	Type of Service Over:	5 (HIGHWAY/PEDESTRIAN)	28A.	Lanes on Structure:	3	29.	ADT - Over:	6360 VPD	114.	Future ADT:	9374 VPD	109.	Average Truck Traffic:	6 %Trucks	<table border="0" style="width: 100%;"> <tr><td style="width: 10%;">106.</td><td style="width: 30%;">Reconstructed:</td><td style="width: 30%;">1995</td></tr> <tr><td>42B.</td><td>Type of Service Under:</td><td>5 (WATERWAY)</td></tr> <tr><td>28B.</td><td>Lanes Under Structure:</td><td>0</td></tr> <tr><td>30.</td><td>ADT Year Over:</td><td>2014</td></tr> <tr><td>115.</td><td>Future ADT Year:</td><td>2034</td></tr> <tr><td>19.</td><td>Bypass Detour Length:</td><td>1 mi.</td></tr> </table>	106.	Reconstructed:	1995	42B.	Type of Service Under:	5 (WATERWAY)	28B.	Lanes Under Structure:	0	30.	ADT Year Over:	2014	115.	Future ADT Year:	2034	19.	Bypass Detour Length:	1 mi.
27.	Year Built:	1971																																			
42A.	Type of Service Over:	5 (HIGHWAY/PEDESTRIAN)																																			
28A.	Lanes on Structure:	3																																			
29.	ADT - Over:	6360 VPD																																			
114.	Future ADT:	9374 VPD																																			
109.	Average Truck Traffic:	6 %Trucks																																			
106.	Reconstructed:	1995																																			
42B.	Type of Service Under:	5 (WATERWAY)																																			
28B.	Lanes Under Structure:	0																																			
30.	ADT Year Over:	2014																																			
115.	Future ADT Year:	2034																																			
19.	Bypass Detour Length:	1 mi.																																			

GEOMETRIC DATA

<table border="0" style="width: 100%;"> <tr><td style="width: 10%;">48.</td><td style="width: 30%;">Maximum Span Length:</td><td style="width: 30%;">20.1 ft.</td></tr> <tr><td>50A.</td><td>Sidewalk/Curb Left:</td><td>5.1 ft.</td></tr> <tr><td>51.</td><td>Bridge Roadway Width:</td><td>41.3 ft.</td></tr> <tr><td>32.</td><td>Approach Roadway Width:</td><td>41 ft.</td></tr> <tr><td>34.</td><td>Skew:</td><td>0 Degree(s)</td></tr> <tr><td>10.</td><td>Defense Vertical Clearance:</td><td>99.99</td></tr> <tr><td>47.</td><td>Total Horiz. Clearance:</td><td>41.3 ft.</td></tr> <tr><td>55A.</td><td>Min Latr. Cl. Right - Code:</td><td>N</td></tr> <tr><td>55B.</td><td>Lateral Right:</td><td>0 ft.</td></tr> </table>	48.	Maximum Span Length:	20.1 ft.	50A.	Sidewalk/Curb Left:	5.1 ft.	51.	Bridge Roadway Width:	41.3 ft.	32.	Approach Roadway Width:	41 ft.	34.	Skew:	0 Degree(s)	10.	Defense Vertical Clearance:	99.99	47.	Total Horiz. Clearance:	41.3 ft.	55A.	Min Latr. Cl. Right - Code:	N	55B.	Lateral Right:	0 ft.	<table border="0" style="width: 100%;"> <tr><td style="width: 10%;">49.</td><td style="width: 30%;">Structure Length:</td><td style="width: 30%;">23 ft.</td></tr> <tr><td>50B.</td><td>Sidewalk/Curb Right:</td><td>5.1 ft.</td></tr> <tr><td>52.</td><td>Deck Width (O-O)</td><td>54.3 ft.</td></tr> <tr><td>33.</td><td>Bridge Median:</td><td>0 (NO MEDIAN)</td></tr> <tr><td>35.</td><td>Structure Flared:</td><td>0 (NO FLARE)</td></tr> <tr><td>53.</td><td>Vertical Clearance/Deck:</td><td>99.99 ft.</td></tr> <tr><td>54A.</td><td>Min Vert Clear Code:</td><td>N</td></tr> <tr><td>54B.</td><td>Underclearance:</td><td>0 ft.</td></tr> <tr><td>56.</td><td>Lateral Left:</td><td>0 ft.</td></tr> </table>	49.	Structure Length:	23 ft.	50B.	Sidewalk/Curb Right:	5.1 ft.	52.	Deck Width (O-O)	54.3 ft.	33.	Bridge Median:	0 (NO MEDIAN)	35.	Structure Flared:	0 (NO FLARE)	53.	Vertical Clearance/Deck:	99.99 ft.	54A.	Min Vert Clear Code:	N	54B.	Underclearance:	0 ft.	56.	Lateral Left:	0 ft.
48.	Maximum Span Length:	20.1 ft.																																																					
50A.	Sidewalk/Curb Left:	5.1 ft.																																																					
51.	Bridge Roadway Width:	41.3 ft.																																																					
32.	Approach Roadway Width:	41 ft.																																																					
34.	Skew:	0 Degree(s)																																																					
10.	Defense Vertical Clearance:	99.99																																																					
47.	Total Horiz. Clearance:	41.3 ft.																																																					
55A.	Min Latr. Cl. Right - Code:	N																																																					
55B.	Lateral Right:	0 ft.																																																					
49.	Structure Length:	23 ft.																																																					
50B.	Sidewalk/Curb Right:	5.1 ft.																																																					
52.	Deck Width (O-O)	54.3 ft.																																																					
33.	Bridge Median:	0 (NO MEDIAN)																																																					
35.	Structure Flared:	0 (NO FLARE)																																																					
53.	Vertical Clearance/Deck:	99.99 ft.																																																					
54A.	Min Vert Clear Code:	N																																																					
54B.	Underclearance:	0 ft.																																																					
56.	Lateral Left:	0 ft.																																																					

STRUCTURE INVENTORY AND APPRAISAL REPORT - 2

NBI Number: 2200083
 Facility Carried: DAISY LN

Bridge Number: 22-00511
 Feature(s) Intersected: TRINITY RUN

NAVIGATION

38. Navigational Control:	0	40. Navigational Horizontal Clearance:	0 ft.
39. Navigational Vertical Clearance:	0 ft.	116. Vertical Clearance - Lift Bridge:	ft.
111. Pier/Abutment Protection:			

CLASSIFICATION

112. NBIS Bridge Length:	Y	12. Base Highway Network:	0
104. Highway System - Over:	0 (NOT ON NHS)	13A. LRS Inventory Route:	
26. Func. Class - Over:	16 (URBAN - MINOR ARTERIAL)	13B. LRS Inventory Subroute:	
100. Defense Highway Des:	0	101. Parallel Structure Des:	N
102. Direction of Traffic:	2 (2-WAY TRAFFIC)	103. Temporary Structure Des:	
110. Des. Nat. Network:	0	20. Toll:	3 (ON FREE ROAD-NO TOLL)
21. Maint. Responsibility:	02 (COUNTY HIGHWAY AGENCY)	22. Owner:	02 (COUNTY HIGHWAY AGENCY)
37. Historical Significance:	5 (NOT ELIGIBLE)		

CONDITION

58. Deck:	Material: CONCRETE	Rating:	7
GOOD - LONGITUDINAL CRACKS, HL CRACKS ACROSS DECK, APPROACH GUARD RAIL DAMAGE AT NE & NW			
58.01. Wearing Surface:	Material: INTEGRAL CONCRETE	Rating:	7
GOOD - CRACKED OVER BEAM JOINTS			
59. Superstructure:	Material: CONCRETE	Rating:	8
VERY GOOD - NO MAJOR DEFECTS			
60. Substructure:	Material: CONCRETE	Rating:	7
GOOD - E ABUTMENT 3 VERT. HL CRACKS, W ABUTMENT 3 VERT. HL CRACKS, WEST ABUTMENT CRACKING WITH RUST STAINS UNDER BEAM NO. 5			
61. Channel:	Material: RIPRAP & NATURAL	Rating:	7
GOOD - AGGRADATION, LOCAL SCOUR AT NORTHWEST CORNER, FLOW INTO NW CORNER AND ALONG E ABUTMENT, OVERGROWN CHANNEL BANKS, LOG JAM 50' UPSTREAM NORTH OF BRIDGE			
62. Culvert/Ret:	Material: N/A	Rating:	N
N/A			

LOAD RATING AND POSTING

31. Design Load:	0 (UNKNOWN)	63. Oper Rating Method:	3 (LOAD RESISTANCE FACTOR (LRFR))
64. Operating Rating:	79	65. Inv Rating Method:	3 (LOAD AND RESISTANCE FACTOR (LRFR))
66. Inventory Rating:	46	66C. Tons Posted:	Tons
66B. Gross Tons or H Rating:	26 Tons	66D. Date Posted/Closed:	
41. Open, Posted, or Closed:	A (OPEN)	70. Bridge Posting:	5 (EQUAL TO OR ABOVE LEGAL LOADS)

STRUCTURE INVENTORY AND APPRAISAL REPORT - 3

NBI Number: 2200083
Facility Carried: DAISY LN

Bridge Number: 22-00511
Feature(s) Intersected: TRINITY RUN

APPRAISAL

67.	Structural:	7
68.	Geometry:	4
69.	Underclearance:	N
71.	Waterway Adequacy:	7
36A.	Traffic Safety Features (Bridge Railings):	1 (MEETS ACCEPTABLE STANDARDS)
36B.	Traffic Safety Features (Transitions):	1 (MEETS ACCEPTABLE STANDARDS)
36C.	Traffic Safety Features (Approach Guardrail):	1 (MEETS ACCEPTABLE STANDARDS)
36D.	Traffic Safety Features (Approach Guardrail Ends):	1 (MEETS ACCEPTABLE STANDARDS)
72.	Roadway Alignment:	6 - TANGENT, SILT UPGRADE TO E, INT W END
	Material:	BITUMINOUS
	Comments:	GUARDRAIL DAMAGE NW & SW, NE QUADRANTS, NEW BITUMINOUS ON BOTH APPROACHES, SIDEWALKS SETTLE AT ALL CORNERS
113.	Scour Critical Bridges:	8 (STABLE - EXCELLENT CONDITION)
	Comments:	

PROPOSED IMPROVEMENTS

75A.	Type of Work:	(NO WORK NEEDED.)
75B.	Work Done By:	0
76.	Improvement Length:	0 ft.
94.	Bridge Improvement Costs:	0 x 1000
95.	Roadway Improvement Costs:	0 x 1000
96.	Total Project Cost:	0 x 1000
97.	Year of Cost Estimate:	

RECOMMENDED MAINTENANCE

RECOMMEND INSTALLING CURRENT STD. ALL B.E.M.'S.

INSPECTION DATA

90.	Date:	3/3/2020	91.	Des. Inspection Frequency:	24 Months
92.	Critical Feature Inspection:	A: N	B: N	C: N	
93.	Date:	A:	B:	C:	

Unofficial Sufficiency Rating: 82.3
Unofficial Structural and Functional Classification: 0 (OK)



LOOKING NORTH FROM ROAD



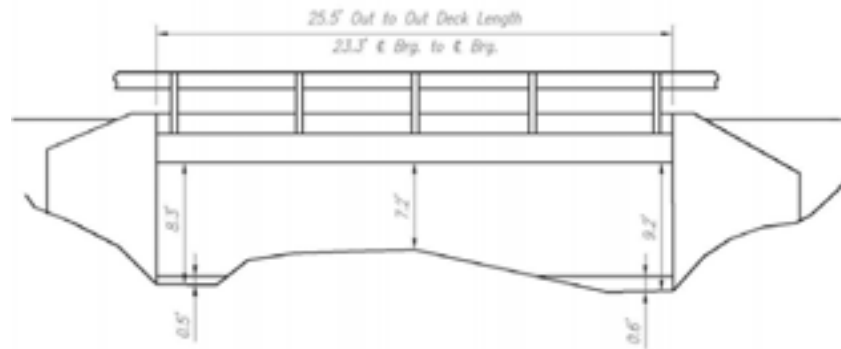
LOOKING SOUTH FROM ROAD



LOOKING EAST DOWNSTREAM



NE HAIRLINE CRACKS IN THE NORTH ABUT.



See Additional Photographs

See on Township Map

FLOYD COUNTY - BRIDGE NO. 22-00512
GREEN VALLEY RD over TRINITY RUN

STRUCTURE INVENTORY AND APPRAISAL REPORT - 1

NBI Number: 2200084
 Facility Carried: GREEN VALLEY RD

Bridge Number: 22-00512
 Feature(s) Intersected: TRINITY RUN

IDENTIFICATION

<table border="0" style="width: 100%;"> <tr><td style="width: 10%;">1.</td><td style="width: 30%;">State:</td><td style="width: 30%;">185 (INDIANA)</td></tr> <tr><td>8.</td><td>NBI Number:</td><td>2200084</td></tr> <tr><td>5.</td><td>Inventory Route On:</td><td>1-5-1- 0-0</td></tr> <tr><td>2.</td><td>District:</td><td>05 (SEYMOUR)</td></tr> <tr><td>3.</td><td>County:</td><td>022 (FLOYD)</td></tr> <tr><td>6.</td><td>Feat Intersected:</td><td>TRINITY RUN</td></tr> <tr><td>7.</td><td>Facility Carried:</td><td>GREEN VALLEY RD</td></tr> <tr><td>9.</td><td>Location:</td><td>00.10 N OF DAISY LANE</td></tr> </table>	1.	State:	185 (INDIANA)	8.	NBI Number:	2200084	5.	Inventory Route On:	1-5-1- 0-0	2.	District:	05 (SEYMOUR)	3.	County:	022 (FLOYD)	6.	Feat Intersected:	TRINITY RUN	7.	Facility Carried:	GREEN VALLEY RD	9.	Location:	00.10 N OF DAISY LANE	<table border="0" style="width: 100%;"> <tr><td style="width: 10%;">4.</td><td style="width: 30%;">City/Town:</td><td style="width: 30%;">52326 (NEW ALBANY)</td></tr> <tr><td>98.</td><td>Border Bridge:</td><td></td></tr> <tr><td>99.</td><td>Border Bridge Number:</td><td></td></tr> <tr><td>11.</td><td>Mile Point (over):</td><td>0</td></tr> <tr><td>16.</td><td>Latitude:</td><td>38.31049</td></tr> <tr><td>17.</td><td>Longitude:</td><td>-85.836525</td></tr> </table>	4.	City/Town:	52326 (NEW ALBANY)	98.	Border Bridge:		99.	Border Bridge Number:		11.	Mile Point (over):	0	16.	Latitude:	38.31049	17.	Longitude:	-85.836525
1.	State:	185 (INDIANA)																																									
8.	NBI Number:	2200084																																									
5.	Inventory Route On:	1-5-1- 0-0																																									
2.	District:	05 (SEYMOUR)																																									
3.	County:	022 (FLOYD)																																									
6.	Feat Intersected:	TRINITY RUN																																									
7.	Facility Carried:	GREEN VALLEY RD																																									
9.	Location:	00.10 N OF DAISY LANE																																									
4.	City/Town:	52326 (NEW ALBANY)																																									
98.	Border Bridge:																																										
99.	Border Bridge Number:																																										
11.	Mile Point (over):	0																																									
16.	Latitude:	38.31049																																									
17.	Longitude:	-85.836525																																									

STRUCTURE DATA

<table border="0" style="width: 100%;"> <tr><td style="width: 10%;">43A.</td><td style="width: 30%;">Structure Type - Main Span:</td><td style="width: 30%;">5 (PRESTRESSED CONCRETE)</td></tr> <tr><td>43B.</td><td>Structure Type - Main Span - Const.</td><td>05 (ADJACENT BOX BEAM)</td></tr> <tr><td>107.</td><td>Deck Structure Type:</td><td>2 (CONCRETE PRECAST)</td></tr> <tr><td>108A.</td><td>Wearing Surface:</td><td>1 (MONOLITHIC CONCRETE)</td></tr> <tr><td>108C.</td><td>Protection</td><td>8 (UNKNOWN)</td></tr> </table>	43A.	Structure Type - Main Span:	5 (PRESTRESSED CONCRETE)	43B.	Structure Type - Main Span - Const.	05 (ADJACENT BOX BEAM)	107.	Deck Structure Type:	2 (CONCRETE PRECAST)	108A.	Wearing Surface:	1 (MONOLITHIC CONCRETE)	108C.	Protection	8 (UNKNOWN)	<table border="0" style="width: 100%;"> <tr><td style="width: 10%;">44.</td><td style="width: 30%;">Structure Type - Approach:</td><td style="width: 30%;">000</td></tr> <tr><td>45.</td><td>Number of Spans - Main:</td><td>1</td></tr> <tr><td>46.</td><td>Number of Spans - Approach:</td><td>0000</td></tr> <tr><td>108B.</td><td>Membrane:</td><td>8 (UNKNOWN)</td></tr> </table>	44.	Structure Type - Approach:	000	45.	Number of Spans - Main:	1	46.	Number of Spans - Approach:	0000	108B.	Membrane:	8 (UNKNOWN)
43A.	Structure Type - Main Span:	5 (PRESTRESSED CONCRETE)																										
43B.	Structure Type - Main Span - Const.	05 (ADJACENT BOX BEAM)																										
107.	Deck Structure Type:	2 (CONCRETE PRECAST)																										
108A.	Wearing Surface:	1 (MONOLITHIC CONCRETE)																										
108C.	Protection	8 (UNKNOWN)																										
44.	Structure Type - Approach:	000																										
45.	Number of Spans - Main:	1																										
46.	Number of Spans - Approach:	0000																										
108B.	Membrane:	8 (UNKNOWN)																										

AGE OF SERVICE

<table border="0" style="width: 100%;"> <tr><td style="width: 10%;">27.</td><td style="width: 30%;">Year Built:</td><td style="width: 30%;">1971</td></tr> <tr><td>42A.</td><td>Type of Service Over:</td><td>5 (HIGHWAY/PEDESTRIAN)</td></tr> <tr><td>28A.</td><td>Lanes on Structure:</td><td>3</td></tr> <tr><td>29.</td><td>ADT - Over:</td><td>7076 VPD</td></tr> <tr><td>114.</td><td>Future ADT:</td><td>10431 VPD</td></tr> <tr><td>109.</td><td>Average Truck Traffic:</td><td>6 %Trucks</td></tr> </table>	27.	Year Built:	1971	42A.	Type of Service Over:	5 (HIGHWAY/PEDESTRIAN)	28A.	Lanes on Structure:	3	29.	ADT - Over:	7076 VPD	114.	Future ADT:	10431 VPD	109.	Average Truck Traffic:	6 %Trucks	<table border="0" style="width: 100%;"> <tr><td style="width: 10%;">106.</td><td style="width: 30%;">Reconstructed:</td><td style="width: 30%;">1995</td></tr> <tr><td>42B.</td><td>Type of Service Under:</td><td>5 (WATERWAY)</td></tr> <tr><td>28B.</td><td>Lanes Under Structure:</td><td>0</td></tr> <tr><td>30.</td><td>ADT Year Over:</td><td>2014</td></tr> <tr><td>115.</td><td>Future ADT Year:</td><td>2034</td></tr> <tr><td>19.</td><td>Bypass Detour Length:</td><td>1 mi.</td></tr> </table>	106.	Reconstructed:	1995	42B.	Type of Service Under:	5 (WATERWAY)	28B.	Lanes Under Structure:	0	30.	ADT Year Over:	2014	115.	Future ADT Year:	2034	19.	Bypass Detour Length:	1 mi.
27.	Year Built:	1971																																			
42A.	Type of Service Over:	5 (HIGHWAY/PEDESTRIAN)																																			
28A.	Lanes on Structure:	3																																			
29.	ADT - Over:	7076 VPD																																			
114.	Future ADT:	10431 VPD																																			
109.	Average Truck Traffic:	6 %Trucks																																			
106.	Reconstructed:	1995																																			
42B.	Type of Service Under:	5 (WATERWAY)																																			
28B.	Lanes Under Structure:	0																																			
30.	ADT Year Over:	2014																																			
115.	Future ADT Year:	2034																																			
19.	Bypass Detour Length:	1 mi.																																			

GEOMETRIC DATA

<table border="0" style="width: 100%;"> <tr><td style="width: 10%;">48.</td><td style="width: 30%;">Maximum Span Length:</td><td style="width: 30%;">23.3 ft.</td></tr> <tr><td>50A.</td><td>Sidewalk/Curb Left:</td><td>5.0 ft.</td></tr> <tr><td>51.</td><td>Bridge Roadway Width:</td><td>41.3 ft.</td></tr> <tr><td>32.</td><td>Approach Roadway Width:</td><td>41 ft.</td></tr> <tr><td>34.</td><td>Skew:</td><td>30 Degree(s)</td></tr> <tr><td>10.</td><td>Defense Vertical Clearance:</td><td>99.99</td></tr> <tr><td>47.</td><td>Total Horiz. Clearance:</td><td>41.3 ft.</td></tr> <tr><td>55A.</td><td>Min Latr. Cl. Right - Code:</td><td>N</td></tr> <tr><td>55B.</td><td>Lateral Right:</td><td>0 ft.</td></tr> </table>	48.	Maximum Span Length:	23.3 ft.	50A.	Sidewalk/Curb Left:	5.0 ft.	51.	Bridge Roadway Width:	41.3 ft.	32.	Approach Roadway Width:	41 ft.	34.	Skew:	30 Degree(s)	10.	Defense Vertical Clearance:	99.99	47.	Total Horiz. Clearance:	41.3 ft.	55A.	Min Latr. Cl. Right - Code:	N	55B.	Lateral Right:	0 ft.	<table border="0" style="width: 100%;"> <tr><td style="width: 10%;">49.</td><td style="width: 30%;">Structure Length:</td><td style="width: 30%;">25.5 ft.</td></tr> <tr><td>50B.</td><td>Sidewalk/Curb Right:</td><td>5.0 ft.</td></tr> <tr><td>52.</td><td>Deck Width (O-O)</td><td>54.3 ft.</td></tr> <tr><td>33.</td><td>Bridge Median:</td><td>0 (NO MEDIAN)</td></tr> <tr><td>35.</td><td>Structure Flared:</td><td>0 (NO FLARE)</td></tr> <tr><td>53.</td><td>Vertical Clearance/Deck:</td><td>99.99 ft.</td></tr> <tr><td>54A.</td><td>Min Vert Clear Code:</td><td>N</td></tr> <tr><td>54B.</td><td>Underclearance:</td><td>0 ft.</td></tr> <tr><td>56.</td><td>Lateral Left:</td><td>0 ft.</td></tr> </table>	49.	Structure Length:	25.5 ft.	50B.	Sidewalk/Curb Right:	5.0 ft.	52.	Deck Width (O-O)	54.3 ft.	33.	Bridge Median:	0 (NO MEDIAN)	35.	Structure Flared:	0 (NO FLARE)	53.	Vertical Clearance/Deck:	99.99 ft.	54A.	Min Vert Clear Code:	N	54B.	Underclearance:	0 ft.	56.	Lateral Left:	0 ft.
48.	Maximum Span Length:	23.3 ft.																																																					
50A.	Sidewalk/Curb Left:	5.0 ft.																																																					
51.	Bridge Roadway Width:	41.3 ft.																																																					
32.	Approach Roadway Width:	41 ft.																																																					
34.	Skew:	30 Degree(s)																																																					
10.	Defense Vertical Clearance:	99.99																																																					
47.	Total Horiz. Clearance:	41.3 ft.																																																					
55A.	Min Latr. Cl. Right - Code:	N																																																					
55B.	Lateral Right:	0 ft.																																																					
49.	Structure Length:	25.5 ft.																																																					
50B.	Sidewalk/Curb Right:	5.0 ft.																																																					
52.	Deck Width (O-O)	54.3 ft.																																																					
33.	Bridge Median:	0 (NO MEDIAN)																																																					
35.	Structure Flared:	0 (NO FLARE)																																																					
53.	Vertical Clearance/Deck:	99.99 ft.																																																					
54A.	Min Vert Clear Code:	N																																																					
54B.	Underclearance:	0 ft.																																																					
56.	Lateral Left:	0 ft.																																																					

STRUCTURE INVENTORY AND APPRAISAL REPORT - 2

NBI Number: 2200084
 Facility Carried: GREEN VALLEY RD

Bridge Number: 22-00512
 Feature(s) Intersected: TRINITY RUN

NAVIGATION

38. Navigational Control:	0	40. Navigational Horizontal Clearance:	0 ft.
39. Navigational Vertical Clearance:	0 ft.	116. Vertical Clearance - Lift Bridge:	ft.
111. Pier/Abutment Protection:			

CLASSIFICATION

112. NBIS Bridge Length:	Y	12. Base Highway Network:	0
104. Highway System - Over:	0 (NOT ON NHS)	13A. LRS Inventory Route:	
26. Func. Class - Over:	16 (URBAN - MINOR ARTERIAL)	13B. LRS Inventory Subroute:	
100. Defense Highway Des:	0	101. Parallel Structure Des:	N
102. Direction of Traffic:	2 (2-WAY TRAFFIC)	103. Temporary Structure Des:	
110. Des. Nat. Network:	0	20. Toll:	3 (ON FREE ROAD-NO TOLL)
21. Maint. Responsibility:	02 (COUNTY HIGHWAY AGENCY)	22. Owner:	02 (COUNTY HIGHWAY AGENCY)
37. Historical Significance:	5 (NOT ELIGIBLE)		

CONDITION

58. Deck:	Material: CONCRETE	Rating:	7
GOOD - HAIRLINE LONGITUDINAL CRACKS, SIDEWALKS SETTLED 3" AT NW, SE, SW 1" AT NE			
58.01. Wearing Surface:	Material: INTEGRAL CONCRETE	Rating:	7
GOOD - CRACKS OVER BEAM JOINTS			
59. Superstructure:	Material: CONCRETE	Rating:	8
VERY GOOD - NO MAJOR DEFECTS			
60. Substructure:	Material: CONCRETE	Rating:	7
GOOD - TOPS OF FOOTINGS EXPOSED, 4 VERT. HL CRACKS W/LT. EFFL. IN N ABUTMENT, 4 VERT. HL CRACKS W/LT. EFFL. IN S ABUTMENT, 2 DELAM/ SPALL IN S ABUTMENT, WATER SEEPAGE AT BEAM BEARINGS			
61. Channel:	Material: RIPRAP & NATURAL	Rating:	6
SATIS - AGGRADATION, SCOUR, RIPRAP WASHED INTO CHANNEL FROM BANK AT SW STR. CREATING RIPRAP DAM, OVERGROWN CHANNEL BANKS			
62. Culvert/Ret:	Material: N/A	Rating:	N
N/A			

LOAD RATING AND POSTING

31. Design Load:	0 (UNKNOWN)	63. Oper Rating Method:	3 (LOAD RESISTANCE FACTOR (LRFR))
64. Operating Rating:	84	65. Inv Rating Method:	3 (LOAD AND RESISTANCE FACTOR (LRFR))
66. Inventory Rating:	47	66C. Tons Posted:	Tons
66B. Gross Tons or H Rating:	26 Tons	66D. Date Posted/Closed:	
41. Open, Posted, or Closed:	A (OPEN)	70. Bridge Posting:	5 (EQUAL TO OR ABOVE LEGAL LOADS)

STRUCTURE INVENTORY AND APPRAISAL REPORT - 3

NBI Number: 2200084
Facility Carried: GREEN VALLEY RD

Bridge Number: 22-00512
Feature(s) Intersected: TRINITY RUN

APPRAISAL

67.	Structural:	7
68.	Geometry:	4
69.	Underclearance:	N
71.	Waterway Adequacy:	8
36A.	Traffic Safety Features (Bridge Railings):	1 (MEETS ACCEPTABLE STANDARDS)
36B.	Traffic Safety Features (Transitions):	1 (MEETS ACCEPTABLE STANDARDS)
36C.	Traffic Safety Features (Approach Guardrail):	1 (MEETS ACCEPTABLE STANDARDS)
36D.	Traffic Safety Features (Approach Guardrail Ends):	1 (MEETS ACCEPTABLE STANDARDS)
72.	Roadway Alignment:	8 - TANGENT, UPGRADE TO NORTH, INT. SOUTH
	Material:	BITUMINOUS
	Comments:	SETTLED, CRACKS AT BRIDGE END, AT NORTH, NEW BITUMINOUS TO SOUTH SIDEWALK ARE SETTling ALL CORNERS, GUARDRAIL DAMAGED AT SOUTHEAST APPR.
113.	Scour Critical Bridges:	5 (STABLE - WITHIN LIMITS)
	Comments:	

PROPOSED IMPROVEMENTS

75A.	Type of Work:	(NO WORK NEEDED.)
75B.	Work Done By:	0
76.	Improvement Length:	0 ft.
94.	Bridge Improvement Costs:	0 x 1000
95.	Roadway Improvement Costs:	0 x 1000
96.	Total Project Cost:	0 x 1000
97.	Year of Cost Estimate:	

RECOMMENDED MAINTENANCE

RECOMMEND INSTALLING CURRENT STD. ALL B.E.M.'S. REMOVE RIPRAP FROM CENTER OF CHANNEL TO THE SLOPES.

INSPECTION DATA

90.	Date:	3/3/2020	91.	Des. Inspection Frequency:	24 Months
92.	Critical Feature Inspection:	A: N	B: N	C: N	
93.	Date:	A:	B:	C:	

Unofficial Sufficiency Rating: 82.2
Unofficial Structural and Functional Classification: 0 (OK)



LOOKING NORTH FROM ROAD



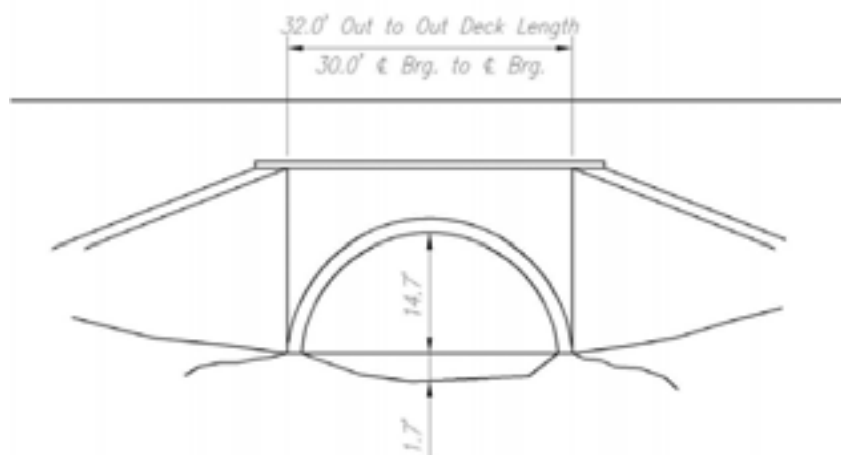
LOOKING SOUTH FROM ROAD



LOOKING WEST FROM CHANNEL



LOOKING EAST FROM CHANNEL



See on
Township Map

FLOYD COUNTY - BRIDGE NO. 22-00513
STATE ST over FALLING RUN CREEK

STRUCTURE INVENTORY AND APPRAISAL REPORT - 1

NBI Number: 2200085
 Facility Carried: STATE ST

Bridge Number: 22-00513
 Feature(s) Intersected: FALLING RUN CREEK

IDENTIFICATION

<table border="0" style="width: 100%;"> <tr><td style="width: 10%;">1.</td><td style="width: 30%;">State:</td><td style="width: 30%;">185 (INDIANA)</td></tr> <tr><td>8.</td><td>NBI Number:</td><td>2200085</td></tr> <tr><td>5.</td><td>Inventory Route On:</td><td>1-5-1- 0-0</td></tr> <tr><td>2.</td><td>District:</td><td>05 (SEYMOUR)</td></tr> <tr><td>3.</td><td>County:</td><td>022 (FLOYD)</td></tr> <tr><td>6.</td><td>Feat Intersected:</td><td>FALLING RUN CREEK</td></tr> <tr><td>7.</td><td>Facility Carried:</td><td>STATE ST</td></tr> <tr><td>9.</td><td>Location:</td><td>00.20 N OF SPRING ST</td></tr> </table>	1.	State:	185 (INDIANA)	8.	NBI Number:	2200085	5.	Inventory Route On:	1-5-1- 0-0	2.	District:	05 (SEYMOUR)	3.	County:	022 (FLOYD)	6.	Feat Intersected:	FALLING RUN CREEK	7.	Facility Carried:	STATE ST	9.	Location:	00.20 N OF SPRING ST	<table border="0" style="width: 100%;"> <tr><td style="width: 10%;">4.</td><td style="width: 30%;">City/Town:</td><td style="width: 30%;">52326 (NEW ALBANY)</td></tr> <tr><td>98.</td><td>Border Bridge:</td><td></td></tr> <tr><td>99.</td><td>Border Bridge Number:</td><td></td></tr> <tr><td>11.</td><td>Mile Point (over):</td><td>0</td></tr> <tr><td>16.</td><td>Latitude:</td><td>38.28931</td></tr> <tr><td>17.</td><td>Longitude:</td><td>-85.825905</td></tr> </table>	4.	City/Town:	52326 (NEW ALBANY)	98.	Border Bridge:		99.	Border Bridge Number:		11.	Mile Point (over):	0	16.	Latitude:	38.28931	17.	Longitude:	-85.825905
1.	State:	185 (INDIANA)																																									
8.	NBI Number:	2200085																																									
5.	Inventory Route On:	1-5-1- 0-0																																									
2.	District:	05 (SEYMOUR)																																									
3.	County:	022 (FLOYD)																																									
6.	Feat Intersected:	FALLING RUN CREEK																																									
7.	Facility Carried:	STATE ST																																									
9.	Location:	00.20 N OF SPRING ST																																									
4.	City/Town:	52326 (NEW ALBANY)																																									
98.	Border Bridge:																																										
99.	Border Bridge Number:																																										
11.	Mile Point (over):	0																																									
16.	Latitude:	38.28931																																									
17.	Longitude:	-85.825905																																									

STRUCTURE DATA

<table border="0" style="width: 100%;"> <tr><td style="width: 10%;">43A.</td><td style="width: 30%;">Structure Type - Main Span:</td><td style="width: 30%;">1 (CONCRETE)</td></tr> <tr><td>43B.</td><td>Structure Type - Main Span - Const.</td><td>19 (CULVERT)</td></tr> <tr><td>107.</td><td>Deck Structure Type:</td><td>N (N/A - UNDER FILL)</td></tr> <tr><td>108A.</td><td>Wearing Surface:</td><td>6 (BITUMINOUS)</td></tr> <tr><td>108C.</td><td>Protection</td><td>N (N/A)</td></tr> </table>	43A.	Structure Type - Main Span:	1 (CONCRETE)	43B.	Structure Type - Main Span - Const.	19 (CULVERT)	107.	Deck Structure Type:	N (N/A - UNDER FILL)	108A.	Wearing Surface:	6 (BITUMINOUS)	108C.	Protection	N (N/A)	<table border="0" style="width: 100%;"> <tr><td style="width: 10%;">44.</td><td style="width: 30%;">Structure Type - Approach:</td><td style="width: 30%;">000</td></tr> <tr><td>45.</td><td>Number of Spans - Main:</td><td>1</td></tr> <tr><td>46.</td><td>Number of Spans - Approach:</td><td>0000</td></tr> <tr><td>108B.</td><td>Membrane:</td><td>N (N/A)</td></tr> </table>	44.	Structure Type - Approach:	000	45.	Number of Spans - Main:	1	46.	Number of Spans - Approach:	0000	108B.	Membrane:	N (N/A)
43A.	Structure Type - Main Span:	1 (CONCRETE)																										
43B.	Structure Type - Main Span - Const.	19 (CULVERT)																										
107.	Deck Structure Type:	N (N/A - UNDER FILL)																										
108A.	Wearing Surface:	6 (BITUMINOUS)																										
108C.	Protection	N (N/A)																										
44.	Structure Type - Approach:	000																										
45.	Number of Spans - Main:	1																										
46.	Number of Spans - Approach:	0000																										
108B.	Membrane:	N (N/A)																										

AGE OF SERVICE

<table border="0" style="width: 100%;"> <tr><td style="width: 10%;">27.</td><td style="width: 30%;">Year Built:</td><td style="width: 30%;">1940</td></tr> <tr><td>42A.</td><td>Type of Service Over:</td><td>5 (HIGHWAY/PEDESTRIAN)</td></tr> <tr><td>28A.</td><td>Lanes on Structure:</td><td>2</td></tr> <tr><td>29.</td><td>ADT - Over:</td><td>32690 VPD</td></tr> <tr><td>114.</td><td>Future ADT:</td><td>48185 VPD</td></tr> <tr><td>109.</td><td>Average Truck Traffic:</td><td>9 %Trucks</td></tr> </table>	27.	Year Built:	1940	42A.	Type of Service Over:	5 (HIGHWAY/PEDESTRIAN)	28A.	Lanes on Structure:	2	29.	ADT - Over:	32690 VPD	114.	Future ADT:	48185 VPD	109.	Average Truck Traffic:	9 %Trucks	<table border="0" style="width: 100%;"> <tr><td style="width: 10%;">106.</td><td style="width: 30%;">Reconstructed:</td><td style="width: 30%;">0</td></tr> <tr><td>42B.</td><td>Type of Service Under:</td><td>5 (WATERWAY)</td></tr> <tr><td>28B.</td><td>Lanes Under Structure:</td><td>0</td></tr> <tr><td>30.</td><td>ADT Year Over:</td><td>2014</td></tr> <tr><td>115.</td><td>Future ADT Year:</td><td>2034</td></tr> <tr><td>19.</td><td>Bypass Detour Length:</td><td>1 mi.</td></tr> </table>	106.	Reconstructed:	0	42B.	Type of Service Under:	5 (WATERWAY)	28B.	Lanes Under Structure:	0	30.	ADT Year Over:	2014	115.	Future ADT Year:	2034	19.	Bypass Detour Length:	1 mi.
27.	Year Built:	1940																																			
42A.	Type of Service Over:	5 (HIGHWAY/PEDESTRIAN)																																			
28A.	Lanes on Structure:	2																																			
29.	ADT - Over:	32690 VPD																																			
114.	Future ADT:	48185 VPD																																			
109.	Average Truck Traffic:	9 %Trucks																																			
106.	Reconstructed:	0																																			
42B.	Type of Service Under:	5 (WATERWAY)																																			
28B.	Lanes Under Structure:	0																																			
30.	ADT Year Over:	2014																																			
115.	Future ADT Year:	2034																																			
19.	Bypass Detour Length:	1 mi.																																			

GEOMETRIC DATA

<table border="0" style="width: 100%;"> <tr><td style="width: 10%;">48.</td><td style="width: 30%;">Maximum Span Length:</td><td style="width: 30%;">30 ft.</td></tr> <tr><td>50A.</td><td>Sidewalk/Curb Left:</td><td>5.0 ft.</td></tr> <tr><td>51.</td><td>Bridge Roadway Width:</td><td>52 ft.</td></tr> <tr><td>32.</td><td>Approach Roadway Width:</td><td>52 ft.</td></tr> <tr><td>34.</td><td>Skew:</td><td>0 Degree(s)</td></tr> <tr><td>10.</td><td>Defense Vertical Clearance:</td><td>99.99</td></tr> <tr><td>47.</td><td>Total Horiz. Clearance:</td><td>52 ft.</td></tr> <tr><td>55A.</td><td>Min Latr. Cl. Right - Code:</td><td>N</td></tr> <tr><td>55B.</td><td>Lateral Right:</td><td>0 ft.</td></tr> </table>	48.	Maximum Span Length:	30 ft.	50A.	Sidewalk/Curb Left:	5.0 ft.	51.	Bridge Roadway Width:	52 ft.	32.	Approach Roadway Width:	52 ft.	34.	Skew:	0 Degree(s)	10.	Defense Vertical Clearance:	99.99	47.	Total Horiz. Clearance:	52 ft.	55A.	Min Latr. Cl. Right - Code:	N	55B.	Lateral Right:	0 ft.	<table border="0" style="width: 100%;"> <tr><td style="width: 10%;">49.</td><td style="width: 30%;">Structure Length:</td><td style="width: 30%;">32 ft.</td></tr> <tr><td>50B.</td><td>Sidewalk/Curb Right:</td><td>5.0 ft.</td></tr> <tr><td>52.</td><td>Deck Width (O-O)</td><td>52 ft.</td></tr> <tr><td>33.</td><td>Bridge Median:</td><td>0 (NO MEDIAN)</td></tr> <tr><td>35.</td><td>Structure Flared:</td><td>0 (NO FLARE)</td></tr> <tr><td>53.</td><td>Vertical Clearance/Deck:</td><td>99.99 ft.</td></tr> <tr><td>54A.</td><td>Min Vert Clear Code:</td><td>N</td></tr> <tr><td>54B.</td><td>Underclearance:</td><td>0 ft.</td></tr> <tr><td>56.</td><td>Lateral Left:</td><td>0 ft.</td></tr> </table>	49.	Structure Length:	32 ft.	50B.	Sidewalk/Curb Right:	5.0 ft.	52.	Deck Width (O-O)	52 ft.	33.	Bridge Median:	0 (NO MEDIAN)	35.	Structure Flared:	0 (NO FLARE)	53.	Vertical Clearance/Deck:	99.99 ft.	54A.	Min Vert Clear Code:	N	54B.	Underclearance:	0 ft.	56.	Lateral Left:	0 ft.
48.	Maximum Span Length:	30 ft.																																																					
50A.	Sidewalk/Curb Left:	5.0 ft.																																																					
51.	Bridge Roadway Width:	52 ft.																																																					
32.	Approach Roadway Width:	52 ft.																																																					
34.	Skew:	0 Degree(s)																																																					
10.	Defense Vertical Clearance:	99.99																																																					
47.	Total Horiz. Clearance:	52 ft.																																																					
55A.	Min Latr. Cl. Right - Code:	N																																																					
55B.	Lateral Right:	0 ft.																																																					
49.	Structure Length:	32 ft.																																																					
50B.	Sidewalk/Curb Right:	5.0 ft.																																																					
52.	Deck Width (O-O)	52 ft.																																																					
33.	Bridge Median:	0 (NO MEDIAN)																																																					
35.	Structure Flared:	0 (NO FLARE)																																																					
53.	Vertical Clearance/Deck:	99.99 ft.																																																					
54A.	Min Vert Clear Code:	N																																																					
54B.	Underclearance:	0 ft.																																																					
56.	Lateral Left:	0 ft.																																																					

STRUCTURE INVENTORY AND APPRAISAL REPORT - 2

NBI Number: 2200085
 Facility Carried: STATE ST

Bridge Number: 22-00513
 Feature(s) Intersected: FALLING RUN CREEK

NAVIGATION

38.	Navigational Control:	0	40.	Navigational Horizontal Clearance:	0 ft.
39.	Navigational Vertical Clearance:	0 ft.	116.	Vertical Clearance - Lift Bridge:	ft.
111.	Pier/Abutment Protection:				

CLASSIFICATION

112.	NBIS Bridge Length:	Y	12.	Base Highway Network:	0
104.	Highway System - Over:	0 (NOT ON NHS)	13A.	LRS Inventory Route:	
26.	Func. Class - Over:	16 (URBAN - MINOR ARTERIAL)	13B.	LRS Inventory Subroute:	
100.	Defense Highway Des:	0	101.	Parallel Structure Des:	N
102.	Direction of Traffic:	2 (2-WAY TRAFFIC)	103.	Temporary Structure Des:	
110.	Des. Nat. Network:	0	20.	Toll:	3 (ON FREE ROAD-NO TOLL)
21.	Maint. Responsibility:	02 (COUNTY HIGHWAY AGENCY)	22.	Owner:	02 (COUNTY HIGHWAY AGENCY)
37.	Historical Significance:	5 (NOT ELIGIBLE)			

CONDITION

58.	Deck:	Material: N/A	Rating:	N
	N/A			
58.01.	Wearing Surface:	Material: BITUMINOUS (2")	Rating:	8
	VERY GOOD - NEW OVERLAY, TRANSVERSE CRACKS			
59.	Superstructure:	Material: N/A	Rating:	N
	N/A			
60.	Substructure:	Material: N/A	Rating:	N
	N/A			
61.	Channel:	Material: NATURAL ROCKY BOTTOM	Rating:	7
	GOOD - BROKEN CONC. AND BRICKS ON SLOPES, DEEP CHANNEL THROUGH STRUCTURE			
62.	Culvert/Ret:	Material: CONCRETE ARCH	Rating:	7
	GOOD - HAIRLINE CRACKS, SPALLS			

LOAD RATING AND POSTING

31.	Design Load:	0 (UNKNOWN)	63.	Oper Rating Method:	0 (FIELD EVAL AND ENG JUDGEMENT)
64.	Operating Rating:	36	65.	Inv Rating Method:	0 (FIELD EVAL AND ENG JUDGEMENT)
66.	Inventory Rating:	36	66C.	Tons Posted:	Tons
66B.	Gross Tons or H Rating:	20 Tons	66D.	Date Posted/Closed:	
41.	Open, Posted, or Closed:	A (OPEN)	70.	Bridge Posting:	5 (EQUAL TO OR ABOVE LEGAL LOADS)

STRUCTURE INVENTORY AND APPRAISAL REPORT - 3

NBI Number: 2200085
 Facility Carried: STATE ST

Bridge Number: 22-00513
 Feature(s) Intersected: FALLING RUN CREEK

APPRAISAL

67.	Structural:	7
68.	Geometry:	9
69.	Underclearance:	N
71.	Waterway Adequacy:	8
36A.	Traffic Safety Features (Bridge Railings):	0 (DOES NOT MEET ACCEPTABLE STANDARDS/SAFETY FEATURE IS REQUIRED)
36B.	Traffic Safety Features (Transitions):	0 (DOES NOT MEET ACCEPTABLE STANDARDS/SAFETY FEATURE IS REQUIRED)
36C.	Traffic Safety Features (Approach Guardrail):	0 (DOES NOT MEET ACCEPTABLE STANDARDS/SAFETY FEATURE IS REQUIRED)
36D.	Traffic Safety Features (Approach Guardrail Ends):	0 (DOES NOT MEET ACCEPTABLE STANDARDS/SAFETY FEATURE IS REQUIRED)
72.	Roadway Alignment:	8 - LEVEL & TANGENT
	Material:	BITUMINOUS
	Comments:	NEW OVERLAY
113.	Scour Critical Bridges:	8 (STABLE - EXCELLENT CONDITION)
	Comments:	

PROPOSED IMPROVEMENTS

75A.	Type of Work:	(NO WORK NEEDED.)
75B.	Work Done By:	0
76.	Improvement Length:	0 ft.
94.	Bridge Improvement Costs:	0 x 1000
95.	Roadway Improvement Costs:	0 x 1000
96.	Total Project Cost:	0 x 1000
97.	Year of Cost Estimate:	

RECOMMENDED MAINTENANCE

RECOMMEND INSTALLING CURRENT STD. BRIDGE & APPR. RAIL W/END TREATMENT AND ALL B.E.M.'S.

INSPECTION DATA

90.	Date:	3/3/2020	91.	Des. Inspection Frequency:	24 Months
92.	Critical Feature Inspection:	A: N	B: N	C: N	
93.	Date:	A:	B:	C:	
	Unofficial Sufficiency Rating:	93.9			
	Unofficial Structural and Functional Classification:	0 (OK)			



LOOKING WEST FROM ROAD



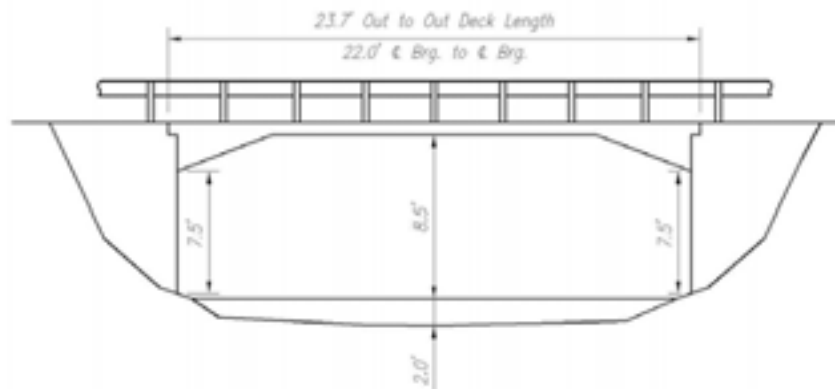
LOOKING EAST FROM ROAD



LOOKING SOUTH DOWNSTREAM



LOOKING WEST AT WATER SEEPAGE, EFFL AT JOINTS



See on
Township Map

FLOYD COUNTY - BRIDGE NO. 22-00514
COUNTRY CLUB DR over FALLING RUN CREEK

STRUCTURE INVENTORY AND APPRAISAL REPORT - 1

NBI Number: 2200104 Facility Carried: COUNTRY CLUB DR	Bridge Number: 22-00514 Feature(s) Intersected: FALLING RUN CREEK
--	--

IDENTIFICATION

1. State: 185 (INDIANA) 8. NBI Number: 2200104 5. Inventory Route On: 1-5-1- 0-0 2. District: 05 (SEYMOUR) 3. County: 022 (FLOYD) 6. Feat Intersected: FALLING RUN CREEK 7. Facility Carried: COUNTRY CLUB DR 9. Location: 00.40 W OF GRAYBROOK LN	4. City/Town: 52326 (NEW ALBANY) 98. Border Bridge: 99. Border Bridge Number: 11. Mile Point (over): 0 16. Latitude: 38.3042 17. Longitude: -85.829666
---	---

STRUCTURE DATA

43A. Structure Type - Main Span: 1 (CONCRETE) 43B. Structure Type - Main Span - Const. 11 (DECK ARCH) 107. Deck Structure Type: 2 (CONCRETE PRECAST) 108A. Wearing Surface: 6 (BITUMINOUS) 108C. Protection 1 (EPOXY COATED REINFORCING)	44. Structure Type - Approach: 000 45. Number of Spans - Main: 1 46. Number of Spans - Approach: 0000 108B. Membrane: 0 (NONE)
--	---

AGE OF SERVICE

27. Year Built: 2004 42A. Type of Service Over: 5 (HIGHWAY/PEDESTRIAN) 28A. Lanes on Structure: 2 29. ADT - Over: 1559 VPD 114. Future ADT: 2298 VPD 109. Average Truck Traffic: 3 %Trucks	106. Reconstructed: 0 42B. Type of Service Under: 5 (WATERWAY) 28B. Lanes Under Structure: 0 30. ADT Year Over: 2014 115. Future ADT Year: 2034 19. Bypass Detour Length: 1 mi.
---	--

GEOMETRIC DATA

48. Maximum Span Length: 22 ft. 50A. Sidewalk/Curb Left: 4.0 ft. 51. Bridge Roadway Width: 32 ft. 32. Approach Roadway Width: 32 ft. 34. Skew: 0 Degree(s) 10. Defense Vertical Clearance: 99.99 47. Total Horiz. Clearance: 43.7 ft. 55A. Min Latr. Cl. Right - Code: N 55B. Lateral Right: 0 ft.	49. Structure Length: 23 ft. 50B. Sidewalk/Curb Right: 0.0 ft. 52. Deck Width (O-O) 47.7 ft. 33. Bridge Median: 0 (NO MEDIAN) 35. Structure Flared: 0 (NO FLARE) 53. Vertical Clearance/Deck: 99.99 ft. 54A. Min Vert Clear Code: N 54B. Underclearance: 0 ft. 56. Lateral Left: 0 ft.
--	--

STRUCTURE INVENTORY AND APPRAISAL REPORT - 2

NBI Number: 2200104
 Facility Carried: COUNTRY CLUB DR

Bridge Number: 22-00514
 Feature(s) Intersected: FALLING RUN CREEK

NAVIGATION

38. Navigational Control:	0	40. Navigational Horizontal Clearance:	0 ft.
39. Navigational Vertical Clearance:	0 ft.	116. Vertical Clearance - Lift Bridge:	ft.
111. Pier/Abutment Protection:			

CLASSIFICATION

112. NBIS Bridge Length:	Y	12. Base Highway Network:	0
104. Highway System - Over:	0 (NOT ON NHS)	13A. LRS Inventory Route:	
26. Func. Class - Over:	17 (URBAN - COLLECTOR)	13B. LRS Inventory Subroute:	
100. Defense Highway Des:	0	101. Parallel Structure Des:	N
102. Direction of Traffic:	2 (2-WAY TRAFFIC)	103. Temporary Structure Des:	
110. Des. Nat. Network:	0	20. Toll:	3 (ON FREE ROAD-NO TOLL)
21. Maint. Responsibility:	02 (COUNTY HIGHWAY AGENCY)	22. Owner:	02 (COUNTY HIGHWAY AGENCY)
37. Historical Significance:	5 (NOT ELIGIBLE)		

CONDITION

58. Deck:	Material: CONCRETE BOX	Rating:	6
SATIS - NO MAJOR DEFECTS			
58.01. Wearing Surface:	Material: BITUMINOUS (2")	Rating:	6
SATIS - TRANS. CRACKS			
59. Superstructure:	Material: CONCRETE BOX STRUCTURE	Rating:	6
SATIS - EFFL. BETWEEN JOINTS, 3RD SEGMENT FROM S HAS SURFACE CRACKS AND EFFL.			
60. Substructure:	Material: CONCRETE	Rating:	8
VERY GOOD - NO MAJOR DEFECTS			
61. Channel:	Material: RIPRAP & NATURAL	Rating:	7
GOOD - NO MAJOR DEFECTS			
62. Culvert/Ret:	Material: N/A	Rating:	N
N/A			

LOAD RATING AND POSTING

31. Design Load:	5 (HS 20)	63. Oper Rating Method:	0 (FIELD EVAL AND ENG JUDGEMENT)
64. Operating Rating:	36	65. Inv Rating Method:	0 (FIELD EVAL AND ENG JUDGEMENT)
66. Inventory Rating:	36	66C. Tons Posted:	Tons
66B. Gross Tons or H Rating:	20 Tons	66D. Date Posted/Closed:	
41. Open, Posted, or Closed:	A (OPEN)	70. Bridge Posting:	5 (EQUAL TO OR ABOVE LEGAL LOADS)

STRUCTURE INVENTORY AND APPRAISAL REPORT - 3

NBI Number: 2200104
Facility Carried: COUNTRY CLUB DR

Bridge Number: 22-00514
Feature(s) Intersected: FALLING RUN CREEK

APPRAISAL

67.	Structural:	6
68.	Geometry:	5
69.	Underclearance:	N
71.	Waterway Adequacy:	7
36A.	Traffic Safety Features (Bridge Railings):	1 (MEETS ACCEPTABLE STANDARDS)
36B.	Traffic Safety Features (Transitions):	0 (DOES NOT MEET ACCEPTABLE STANDARDS/SAFETY FEATURE IS REQUIRED)
36C.	Traffic Safety Features (Approach Guardrail):	1 (MEETS ACCEPTABLE STANDARDS)
36D.	Traffic Safety Features (Approach Guardrail Ends):	0 (DOES NOT MEET ACCEPTABLE STANDARDS/SAFETY FEATURE IS REQUIRED)
72.	Roadway Alignment:	6 - STRAIGHT DRIVE IN SW QUADRANT
	Material:	BITUMINOUS
	Comments:	LONG. AND TRANS. CRACKS
113.	Scour Critical Bridges:	8 (STABLE - EXCELLENT CONDITION)
	Comments:	

PROPOSED IMPROVEMENTS

75A.	Type of Work:	(NO WORK NEEDED.)
75B.	Work Done By:	0
76.	Improvement Length:	0 ft.
94.	Bridge Improvement Costs:	0 x 1000
95.	Roadway Improvement Costs:	0 x 1000
96.	Total Project Cost:	0 x 1000
97.	Year of Cost Estimate:	

RECOMMENDED MAINTENANCE

RECOMMEND INSTALLING CURRENT STD. BRIDGE RAIL AND ALL B.E.M.'S.

INSPECTION DATA

90.	Date:	3/3/2020	91.	Des. Inspection Frequency:	24 Months
92.	Critical Feature Inspection:	A: N	B: N	C: N	
93.	Date:	A:	B:	C:	
	Unofficial Sufficiency Rating:	97.9			
	Unofficial Structural and Functional Classification:	0 (OK)			

FLOYD COUNTY
INDIANA

APPENDIX A

NBI ITEM
DESCRIPTIONS AND
STRUCTURE TYPE
ABBREVIATIONS

[Click for Table
of Contents](#)

**DESCRIPTION OF ITEMS
STRUCTURE INVENTORY AND APPRAISAL SHEET**

1. **State:** "Indiana" (185) for all bridges.
2. **Hwy. District:** INDOT* highway district number in which the bridge is located.
3. **County:** County code and name.
4. **City/Town:** City and town code and name are listed. Bridges are listed as being in an urban area rather than within actual corporation limits. This item is coded all "zeros" for bridges in rural locations.
5. **Inventory Route:** This is the road inventory route number used by Indiana LTAP** and INDOT.
6. **Features Intersected:** This is the stream, road, railroad and/or other features under the bridge.
7. **Facility Carried:** This is the name of the local road as named by the county.
8. **NBI Number:** This is the bridge number which, in general, follows Indiana LTAP bridge numbering system.
9. **Location:** The location of the bridge using local road designations, county lines, other locally recognized features, or map boundary location codes.
10. **Defense Vert. Clear:** This is the minimum vertical clearance for a 10-foot width of the pavement or traveled part of the inventory route roadway where the clearance is the greatest. A code of 9999 means unlimited.
11. **Milepoint:** Zeroes for all bridges.
16. **Latitude:** The latitude found on USGS/ESRI maps.
17. **Longitude:** The longitude found on USGS/ESRI maps.
19. **Bypass Length:** This is the total additional travel, to the nearest mile, for a vehicle which would result from closing of the bridge.
20. **Toll:** All of the bridges under county jurisdiction are toll free and carry a toll free highway. This item is "On Free Road" (30 for all of these bridges).
21. **Maintenance Responsibility:** County for most or all bridges.
22. **Owner:** County for most or all bridges.

* the Indiana Department of Transportation

** formerly Highway Extension and Research Project for Indiana Counties & Cities (HERPICC)

26. **Functional Classification:** Functional classification of the road over the bridge as determined by information from INDOT.

<u>Code</u>	<u>Description</u>
01	Principal Arterial – Interstate - Rural
02	Principal Arterial – Other
06	Minor Arterial – Rural
07	Major Collector – Rural
08	Minor Collector – rural
09	Local – Rural
11	Principal Arterial – Interstate – Urban
12	Principal Arterial – Other Freeways or Expressways
14	Other Principal Arterial – Urban
16	Minor Arterial – Urban
17	Collector – Urban
19	Local - Urban

27. **Year Built:** Year (or approximate year) the bridge was built.
28. **Lanes on Str.:** Lanes of highway traffic carried on the structure and lanes of highway traffic under the bridge.
29. **ADT:** Current average daily traffic count on bridge to the nearest ten vehicles. These were estimated where recent counts were not available.
30. **Year of ADT:** Year traffic count was taken or estimated.
31. **Design Load:** The live load which the bridge was originally designed to carry. Except for recent bridges where construction plans are available, this value is unknown.
32. **Approach Roadway Width/Shldr.:** Shoulder-to-shoulder width of the approach roadway.
33. **Bridge Median:** Describes the median on a bridge, whether none, open or closed.
34. **Skew:** The angle of bridge skew to the nearest degree.
35. **Structure Flared:** Describes whether or not the bridge varies in width. Minor flares such as flared wings are ignored. "Yes" (1) or "No" (0).
- 36A. **Traffic Safety Features:** 4 digits telling whether the bridge railing, transitions, approach guardrail, and approach guardrail terminal ends "meet" (1) or "do not meet" (0) currently acceptable standards.
37. **Historical Significance:** This item indicates that a bridge may be a particularly unique example of the history of engineering; the crossing itself might be significant; the bridge may be associated with a historical property or area; or the bridge may be associated with significant events or circumstances. One of the following 1-digit codes is used as applicable:

<u>Code</u>	<u>Description</u>
1	Bridge is on the National Register of Historic Places.
2	Bridge is eligible for the National Register of Historic Places.
3	Bridge is possibly eligible for the National Register of Historic Places or bridge is on a State or Local historic register. (Requires further investigation before determination can be made.)
4	Historical significance is not determinable at this time.
5	Bridge is not eligible for the National Register of Historic Places.

38. **Navigation Control:** Describes whether or not navigation control exists on navigable streams. "Yes" (1) or "No" (0).
39. **Navigation Vertical Clearance:** Minimum navigation vertical clearance in feet as shown on the navigation permit issued by the controlling agency, for Item 38 coded "Yes" (1). Otherwise, code all "zeros" (N.A.; not applicable).
40. **Navigation Horizontal Clearance:** Minimum navigation horizontal clearance in feet as shown on the navigation permit issued by the controlling agency, for Item 38 coded "Yes" (1). Otherwise, code all "zeros" (N.A.; not applicable).
41. **Open, Posted or Closed:** This item indicates the operational status of the bridge: "K" = closed to all traffic, "P" = open to traffic with load posted, "A" = open to traffic without load posted, "B" = open; posting recommended, "G" = new bridge; not yet open.
42. **Type Service:** Describes the function of the bridge. This is usually highway or highway-pedestrian.
43. **Structure Type-Main:** The structural type of bridge for the main spans of the bridge.
44. **Structure Type-Approach:** The structural type for the approach spans, if they are a different material or construction type than the main spans.
45. **Number of Spans-Main:** The number of spans in the main units of the bridge.
46. **Number of Spans-Approach:** The number of spans in the approach units of the bridge.
47. **Total Horizontal Clearance:** The distance to the nearest tenth of a foot between the most restrictive features limiting the roadway. Where no such features existed, the deck width was used. When two clearances are recorded after this item, the second clearance is the distance between the most restrictive features limiting the use of the highway or railroad under the bridge. This is recorded only when the bridge is over a highway or railroad.
48. **Maximum Span Length:** The length to the nearest tenth of a foot of the longest span.
49. **Structure Length:** The total length of bridge from backwall to backwall to the nearest foot.
50. **Sidewalk/Curb Width: (Left) (Right):** The width of sidewalks on the bridge to the nearest tenth of a foot. Narrow curbs (less than 2'-0") are not considered sidewalks, but are still reported.

51. **Bridge Roadway Width (Curb-Curb):** The distance between curbs on the bridge to the nearest tenth of a foot. Where curbs do not exist, the distance between parapets, railings or guardrails is used.
52. **Deck Width (Out-Out):** The total width of the bridge roadway to the nearest tenth of a foot.
53. **Vert. Clear over Deck:** The minimum vertical clearance over the bridge roadway to the nearest inch. A code of 9999 means unlimited vertical clearance.
54. **Vertical Underclearance:** The minimum vertical clearance beneath the structure measured from the roadway or railroad track to the underside of the superstructure, in feet and inches. Coded all "zeros" (N.A.; not applicable) for structures over any other feature.
55. **Lateral Underclearance Right:** The minimum lateral under-clearance to the nearest tenth of a foot on the right for roads and railroads under a bridge measured from the edge of roadway or centerline of railroad track to the nearest substructure unit. Right is with respect to the direction of travel.
56. **Lateral Underclearance Left:** The minimum lateral underclearance to the nearest tenth of a foot on the left for one-way roads under a bridge measured from the edge of roadway to the nearest substructure unit. Left is with respect to the direction of travel.
58. **Deck:** Describes the material and condition of the bridge floor, expansion joints, curbs, railings, deck drains and other associated items.
- 58.01. **Wearing Surface:** Describes the material and condition of the wearing surface.
59. **Superstructure:** Describes the material and condition of the deck supporting members, their connections and bearings.
60. **Substructure:** Describes the material and condition of the superstructure supporting elements such as abutments, piers, bents, piles and others.
61. **Channel & Channel Protection:** Describes the channel, its protections and any problems associated with the channel.
62. **Culvert & Retaining Wall:** Describes primarily bridge wingwalls, retaining walls and culverts associated with the bridge. Lists material, condition and erosion problems.
64. **Operating Rating:** Operating rating is the maximum live load that can be occasionally carried by a bridge. See Item 66, Inventory Rating.
66. **Inventory Rating:** Inventory rating is the maximum live load that can safely utilize an existing structure for an indefinite period of time. The range of loading above the inventory rating up to the operating rating should be allowed only by written permit from the County.
67. **Structural Condition:** Describes major structural deficiencies.
68. **Deck Geometry:** Describes deficiencies in deck width.
69. **Underclearance:** Describes deficiencies in the vertical and lateral underclearances of a roadway or railroad under the bridge.

- 70. **Bridge Posting:** Describes the load capacity, relative to the legal load allowed, to show when posting is required.
- 71. **Waterway Adequacy:** Describes deficiencies in the waterway, the bridge opening and slope protection at the bridge. The waterway opening under the bridge was judged to be adequate or inadequate from drift and other signs and without a hydraulic analysis.
- 72. **Approach Roadway Alignment:** Describes the deficiencies of the approach alignment, pavement width, shoulder width, signs, delineators, sight distances and other features relating to safety.
- 75. **Type of Work:** Describes the type of work recommended as repair, widening, replacement or construction of a new bridge at the same or another location or for a new type of service.

<u>Code</u>	<u>Description</u>
31	Replacement – Load/Geometry
32	Replacement – Relocation
33	Widening – No Deck Rehab.
34	Widening – With Deck Rehab.
35	Rehabilitation – Deterioration
36	Deck Rehabilitation – Some Widening
37	Deck Replacement – Some Widening
38	Other Structural Work
01	Contract
02	Local Forces

- 76. **Improvement Length:** The length of the proposed improvement.
- 90. **Inspection Date:** The date the structure was inspected.
- 91. **Designated Inspection Frequency:** The designated inspection interval, in months, for each bridge in the inventory. Bridges will require special non-scheduled inspections after unusual physical traumas.
- 92. **Critical Feature Inspection:** Critical features, which need special inspections or special emphasis during inspections, are identified, along with the designated inspection interval as follows:

<u>Code</u>	<u>Description</u>
92A	Fracture Critical Details
92B	Underwater Inspection
92C	Other Special Inspection

- 93. **Critical Feature Inspection Date:** The date of last inspection of the critical feature(s) identified in Item 92.
- 94. **Bridge Improvement Cost:** Only bridge construction costs are included. No bridge maintenance costs are included.

95. **Roadway Improvement Cost:** Only roadway construction costs are included. No roadway maintenance costs are included.
96. **Total Project Cost:** All costs normally associated with the proposed bridge improvement project, including right-of-way, detour, preliminary engineering, construction inspection and other incidental costs are included. No maintenance costs are included.
97. **Year of Improvement Cost Estimate:** The base year of the improvement costs provided in Items 94 through 96, with cost data provided to be no more than 8 years old.
98. **Border Bridge:** Indicates if a bridge is located on a borderline between two neighboring states. Many states split maintenance responsibilities and costs for any replacement or rehabilitation work.
99. **Border Bridge Structure Number:** Indicates the neighboring state's NBI structure number, for a structure noted in Item 98.
100. **Defense Highway Designation:** Identifies a bridge on the designated defense highway network, including minor off-system roads. None exist in this county, since only State bridges are presently on defense highways.
101. **Parallel Structure Designation:** Indicates situations where separate structures carry the inventory route in opposite directions of travel over the same feature.
102. **Direction of Traffic:** Provides information as follows:

<u>Code</u>	<u>Description</u>
0	Highway traffic not carried
1	1-way traffic
2	2-way traffic
3	One-lane bridge for 2-way traffic

103. **Temporary Structure Designation:** Identifies temporary structure(s) or conditions, which are required to facilitate traffic flow.
104. **Highway System:** Indicates the highway system for the inventory route, identified in Item 5, as follows:

<u>Code</u>	<u>Description</u>
0	Non NHS (National Highway System)
1	NHS

106. **Year Reconstructed:** Indicates the year of reconstruction or rehabilitation of the structure, where applicable.

For a bridge to be defined as reconstructed, the type of work performed, whether or not it meets current minimum standards, must have been eligible for funding under any of the Federal-aid funding categories. The eligibility criteria would apply to the work performed regardless of whether all state or local funds or Federal-aid funds were used.

107. **Deck Structure Type:** Describes the type of deck system on the bridge. If more than one type of deck system is on the bridge, the most predominant is indicated.

108. **Wearing Surface/Protective System:** Indicates information on the wearing surface and protective system of the bridge deck, as follows:

<u>Code</u>	<u>Description</u>
108A	Type of Wearing Surface
108B	Type of Membrane
108C	Deck Protection

109. **Average Daily Truck Traffic:** Indicates the percentage of Item 29 - Average Daily Traffic that is truck traffic, not including vans, pickup trucks and other light delivery trucks.

*The percentage of truck traffic is only recorded when Item 29 - Average Daily Traffic is greater than 100 vehicles.

110. **Designated National Network:** Indicates any roads on the designated national network for trucks identified in the code of Federal Regulations (23 CFR 658). No county roads are so designated.

111. **Pier or Abutment Protection (for Navigation):** Applies only to bridges over navigable channels (See Item 38 - Navigation Control).

112. **NBIS Bridge Length:** Indicates a bridge that meets or exceeds the minimum length (more than 20 feet) specified to be designated as a bridge for National Bridge Inspection Standards purposes.

113. **Scour Critical Bridges:** Identifies the current status of the bridge regarding its vulnerability to scour, as follows:

N = The bridge is not over a waterway and the scour rating is thus not applicable.

9= Bridge foundations, including piles, are on dry land well above flood elevations.

8= Bridge foundations are determined to be stable because scour is above top of footing by qualitative assessment, by quantitative assessment (calculation), or by virtue of properly designed countermeasures.

7= Countermeasures have been installed to mitigate an existing scour problem, or a plan of action has been implemented to reduce risk to the public that might result from a bridge failure during or immediately after a flood event.

6= No scour evaluation has yet been made; this should not be the case for most bridges, but might occur with the jurisdictional transfer of an old bridge or due to other unusual circumstances.

5= Bridge foundations are determined to be stable because scour is within the limits of footing or piles by qualitative assessment, by quantitative assessment (calculation), or by virtue of properly designed countermeasures.

4= Bridge foundations were determined to be stable by qualitative assessment or quantitative assessment (calculation), but field review indicates action is required to protect exposed foundations.

- 3= Bridge foundations are determined to be unstable because qualitative assessment or quantitative assessment (calculation) indicates scour is within limits of footing or piles, or assessment indicates scour is below spread footing base or pile tips.
 - 2= Field review indicates extensive scour has occurred; bridge foundations are unstable because observed scour is below calculated acceptable limits, or because of observed scour conditions reported in item 60 (thus affecting substructure stability).
 - 1= Bridge is closed to traffic; field review indicates failure of piers or abutments is imminent because observed scour is below calculated acceptable limits, or because of observed scour conditions reported in item 60 (thus affecting substructure stability).
 - 0= Bridge has failed and is closed to traffic.
 - U= Bridge foundations are unknown and not yet evaluated for scour; POA is required.
114. **Future Average Daily Traffic:** Indicates the forecasted average daily traffic (ADT) for the inventory route identified in Item 5. This has been projected at least 17 years but no more than 22 years from the year data was submitted to the NBI, to provide a basis for a 20-year forecast. Where planning data was not available, the best estimate based on site familiarity was used.
115. **Year of Future Average Daily Traffic:** Indicates the year represented by the future ADT in Item 114. The projected year of future ADT is at least 17 years but no more than 22 years from the year data was submitted to the NBI.
116. **Minimum Navigation Vertical Clearance**
Vertical Lift Bridge: Record to the nearest foot (rounding down) the minimum vertical clearance (in the dropped or closed position) imposed at the site as measured above a datum that is specified on a navigation permit issued by a control agency.

Items 58 through 62 and Item 65 are given a numerical "CONDITION" rating as follows:

<u>Rating</u>	<u>Description</u>
N	Not Applicable.
9	New Condition.
8	Very Good Condition: No repairs needed.
7	Good Condition: Some minor problems.
6	Satisfactory Condition: Potential exists for "major maintenance" with major items in need of repair by maintenance forces.
5	Fair Condition: Potential exists for "minor rehabilitation" with major repair by contract needed.

- 4 Poor Condition: Potential exists for "major rehabilitation" with minimum adequacy to tolerate present traffic; immediate rehabilitation necessary to keep open.
- 3 Serious Condition: Repair or rehabilitation required immediately with inadequacy to tolerate present heavy load; "warrants closing bridge to trucks."
- 2 Critical Condition: The need for repair or rehabilitation is urgent. The facility should be closed until the indicated repair is complete with inadequacy to tolerate any live load; "warrants closing bridge to all traffic."
- 1 Imminent Failure Condition: The "facility is closed." Study should determine the feasibility of the bridge being repairable, if desirable to reopen to traffic.
- 0 Failed Condition: The "facility is closed" and the bridge conditions are beyond repair; "danger of immediate collapse."

Items 67 through 72 are given a numerical "APPRAISAL" rating as follows:

<u>Rating</u>	<u>Description</u>
N	Not Applicable.
9	Superior to present desirable criteria.
8	Equal to present desirable criteria.
7	Better than present minimum criteria.
6	Equal to present minimum criteria.
5	Somewhat better than minimum adequacy to tolerate being left in place as is.
4	Meets minimum tolerable limits to be left in place as is.
3	Basically intolerable condition requiring high priority of repair.
2	Basically intolerable condition requiring high priority of replacement.
0	Closed, immediate replacement necessary to put back in service.

CURRENT ACCEPTABLE BRIDGE TYPES

43A	43B		DESCRIPTION
101A	RCS		REINFORCED CONCRETE SLAB
101B	PCS	(2)	PRECAST CONCRETE SLAB
102A	RCG		REINFORCED CONCRETE GIRDER
102B	RCB		REINFORCED CONCRETE BEAM
103	RCGT		REINFORCED CONCRETE GIRDER (trans. Girder) floor beam system
104	CTB		CONCRETE TEE BEAM
105	RCBG		REINFORCED CONCRETE BOX GIRDER - multiple
106	RCBG		REINFORCED CONCRETE BOX GIRDER - single
107A	RCRF		REINFORCED CONCRETE RIGID FRAME
107B	RCB		REINFORCED CONCRETE BOX
111A	RCA		REINFORCED CONCRETE ARCH
111B	RCAOS		REINFORCED CONCRETE ARCH - OPEN SPANDREL
111C	UCA		UNREINFORCED CONCRETE ARCH
111D	PCA		PRECAST CONCRETE ARCH
112	THRCA		THRU REINFORCED CONCRETE ARCH
119A	RCSUF	(2)	REINFORCED CONCRETE SLAB - UNDER FILL
119B	RCAUF	(1)	REINFORCED CONCRETE ARCH - UNDER FILL
119C	RCBUF		REINFORCED CONCRETE BOX - UNDER FILL
119D	RCGUF		REINFORCED CONCRETE GIRDER - UNDER FILL
119E	PCAUUF	(1)	PRECAST CONCRETE ARCH - UNDER FILL
119F	PCSUF	(2)	PRECAST SLAB - UNDER FILL
119G	RCPUF		REINFORCED CONCRETE PIPE - UNDER FILL (Precast)
122	PCB		PRECAST CONCRETE BEAM (channel beam)
201A	CRCS		CONTINUOUS REINFORCED CONCRETE SLAB
201B	CRCVS		CONTINUOUS REINFORCED CONCRETE VOIDED SLAB
202A	CRCG		CONTINUOUS REINFORCED CONCRETE GIRDER
202B	CRCB		CONTINUOUS REINFORCED CONCRETE BEAM
203	CRCGT		CONT. REIN. CONCRETE GIRDER (trans. Girder) floor beam system
204	CCTB		CONTINUOUS CONCRETE TEE BEAM
205	CRCBG		CONTINUOUS REINFORCED CONCRETE BOX GIRDER - multiple
206	CRCBG		CONTINUOUS REINFORCED CONCRETE BOX GIRDER - single
207A	CRCRF		CONTINUOUS REINFORCED CONCRETE RIGID FRAME
207B	CRCB		CONTINUOUS REINFORCED CONCRETE BOX
211	CRCA		CONTINUOUS REINFORCED CONCRETE ARCH
214	CCSCG		CONTINUOUS CONCRETE STAYED CABLE GIRDER
219A	RCSUF		CONTINUOUS REINFORCED CONCRETE SLAB - UNDER FILL
219B	CCBUF		CONTINUOUS REINFORCED CONCRETE BOX - UNDER FILL
222	CPCB		CONTINUOUS PRECAST CONCRETE BEAM (channel beam)
300A	SRRFC		STEEL RAILROAD "FLAT CAR"
300B	SRRP		STEEL RAILROAD "PIPE CAR" (Look at 319B and 319D)
302A	ESB		ENCASED STEEL BEAM
302B	ESG		ENCASED STEEL GIRDER
302C	RPG		RIVETED PLATE GIRDER
302D	SB		SIMPLE STEEL BEAM
302E	SG		SIMPLE STEEL GIRDER
302F	SPG		STEEL PLATE GIRDER
302G	KSB		COMPOSITE STEEL BEAM
302H	KSG		COMPOSITE STEEL GIRDER
302I	KSBG		COMPOSITE STEEL BOX GIRDER
303A	ESG		ENCASED STEEL GIRDER - floor beam system
303B	SG		SIMPLE STEEL GIRDER - floor beam system
303C	KSB		COMPOSITE STEEL BEAM - floor beam system
303D	KSG		COMPOSITE STEEL GIRDER - floor beam system
303E	WSTG		WELDED STEEL THRU GIRDER - floor beam system
303F	RPG		RIVETED PLATE GIRDER - floor beam system
303G	WPG		WELDED PLATE GIRDER - floor beam system
307	WGRF		WELDED GIRDER RIGID FRAME

309	SDT		STEEL DECK TRUSS
310A	SPT		STEEL PONY TRUSS
310B	STT		STEEL THRU TRUSS
310C	BT		BAILEY TRUSS
311	MPA		METAL PIPE ARCH (round pipe)
312A	STA		STEEL TIED ARCH
312B	TSA		THRU STEEL ARCH
313	SUSP		STEEL SUSPENSION
314	SCSG		STEEL, CABLE-STAYED, GIRDER
316	BB		BASCULE BRIDGE (lift bridge)
319A	MPAUF		MULTIPLATE ARCH - UNDER FILL
319B	SRPUF		STEEL RAILROAD "PIPE CAR" - UNDER FILL
319C	MPUF		METAL PIPE - ROUND PIPE - UNDER FILL
319D	MPAUF		METAL PIPE - ARCH - UNDER FILL
402A	CSB		CONTINUOUS STEEL BEAM
402B	CSG		CONTINUOUS STEEL GIRDER
402C	CESB		CONTINUOUS ENCASED STEEL BEAM
402D	KCSB		COMPOSITE CONTINUOUS STEEL BEAM
402E	KCSG		COMPOSITE CONTINUOUS STEEL GIRDER
402F	KCSBG		COMPOSITE CONTINUOUS STEEL BOX GIRDER
402G	CRSBG		CONTINUOUS RIVETED STEEL BOX GIRDER
402H	CRPG		CONTINUOUS RIVETED PLATE GIRDER
403A	CSG		CONTINUOUS STEEL GIRDER - floor beam system
403B	KCSG		COMPOSITE CONT. STEEL GIRDER - floor beam system
403C	CRPG		CONTINUOUS RIVETED PLATE GIRDER - floor beam system
403D	KCRPG		COMPOSITE CONTINUOUS RIVETED PLATE GIRDER - floor beam system
406	KCSBG		COMPOSITE CONTINUOUS STEEL BOX GIRDER - multiple & spread
410	CSTT		CONTINUOUS STEEL THRU TRUSS PLUS DECK TRUSS
412	CSTA		CONTINUOUS STEEL TIED ARCH
421	SBG		STEEL BOX GIRDER
501A	PPCS		PRESTRESSED PRECAST CONCRETE SLAB
501B	PTRCS		POST-TENSIONED REINFORCED CONCRETE SLAB
502	PCIB		PRESTRESSED CONCRETE I-BEAM
503	PTCTG		POST-TENSIONED CONCRETE THRU GIRDER
504	PCTB		PRESTRESSED CONCRETE TEE-BEAM
505	PCBB		PRESTRESSED CONCRETE BOX BEAMS - multiple
506	PCBB		PRESTRESSED CONCRETE BOX BEAMS - spread
601	PTRCS		CONTINUOUS POST-TENSIONED REINFORCED CONCRETE SLAB
602	CPCIB		CONTINUOUS PRESTRESSED CONCRETE I-BEAM
604	CPCTB		CONTINUOUS PRESTRESSED CONCRETE TEE BEAM
605	CPCBB		CONTINUOUS PRESTRESSED CONCRETE BOX BEAMS - multiple
606	CPCBB		CONTINUOUS PRESTRESSED CONCRETE BOX BEAMS - spread
614	CPTCS		CONTINUOUS POST-TENSIONED CABLE-STAYED
621	PTCBG		POST-TENSIONED CONCRETE BOX GIRDER - continuous (segmental)
701	TS		TIMBER SLAB
702A	TB		TIMBER BEAM
702B	TG		TIMBER GIRDER
702C	TT		TIMBER TRESTLE
710	TCB		TIMBER COVERED BRIDGE
719	TBUF		TIMBER BOX - UNDER FILL
811	SA		STONE ARCH
819	MAUF		MASONRY CULVERT - UNDER FILL
910A	ITT		IRON THRU TRUSS
910B	IPT		IRON PONY TRUSS
911	AA		ALUMINUM ARCH
919A	MPAUF		ALUMINUM PLATE BOX - UNDER FILL
919B	MPAUF		ALUMINUM PLATE ARCH - UNDER FILL

- (1) = Con-Span ~ precast concrete ~ three sided arch shape
(2) = Hy-Span ~ precast concrete ~ three sided slab shape

FLOYD COUNTY
INDIANA

APPENDIX B

SUPPLEMENTAL
PHOTOS

[Click for Table
of Contents](#)



DAMAGED NW GUARDRAIL



SOUTH SPAN CRACKS WITH EFFL.



BEAM 4 EAST END SPALL



WEST ABUTMENT SCOUR



NW CORNER SHOULDER EROSION



BEAM 3 CRACK AND DELAM.



BEAM 6 CRACK WITH RUST STRAINS



BEAM 2 CRACKS WITH RUST STRAINS



WEST END JOINT SPALL



BEAM 3 HAIRLINE CRACK



SE CORNER GUARDRAIL DAMAGE



UPSTREAM GUARDRAIL DAMAGE



CENTER SPAN SPALLS



SPALL AT MIDSPAN



SOUTHEAST PIER BEAM END CRACKS



NORTH PIER SCOUR



NORTHWEST PIER BEARING EFFL.



BEAM 4 GROUTED HAIRLINE CRACKS



WEST ABUTMENT BEAM 2 BEARING DETERIORATION



UPSTREAM DEBRIS IN LOWER CHORDS



LOOKING AT WEST ABUTMENT



LOOKING NORTH FROM CHANNEL



LOOKING AT SOUTH TRUSS L12



LOOKING AT SOUTH TRUSS L12



LOOKING AT SOUTH TRUSS L6

FLOYD COUNTY - BRIDGE NO. 22-00023 B
JOHN PECTOL RD over BIG INDIAN CREEK



LOOKING AT SOUTH TRUSS L6 OUTSIDE GUSSET PLATE



LOOKING AT SOUTH TRUSS L12



LOOKING AT NORTH TRUSS L0



LOOKING NORTH UPSTREAM FROM BRIDGE



LOOKING AT NORTH TRUSS L6 WITH RUST LAMINATION



FL. BM 8, RUST ON BOTH SIDES 1" FROM L8, N TRUSS

FLOYD COUNTY - BRIDGE NO. 22-00023 B
JOHN PECTOL RD over BIG INDIAN CREEK



L8-L10, N TRUSS AT FLAKING ON OUTER CH. NEAR L8



LOOKING AT NORTH TRUSS L12



FL BM 2, FLAKING RUST ON E SIDE 1' FROM L2, N TRUSS



FL BM 10, FLAKING RUST ON E SIDE 2.5' FROM L10, N



FL BEAM 4 AT FLAKING RUST NEAR S TRUSS



UPSTREAM EAST SPAN AND SPALLS



SOUTHWEST WINGWALL EROSION



NE ABUTMENT PILE SELECTION LOSS



EAST ABUTMENT PILE SELECTION LOSS



EAST END DECK SPALLS/ PATCHES



WEST END DECK SPALLS/ PATCHES



WEST ABUTMENT SCOUR



WEST SPAN UNDERSIDE EFL.



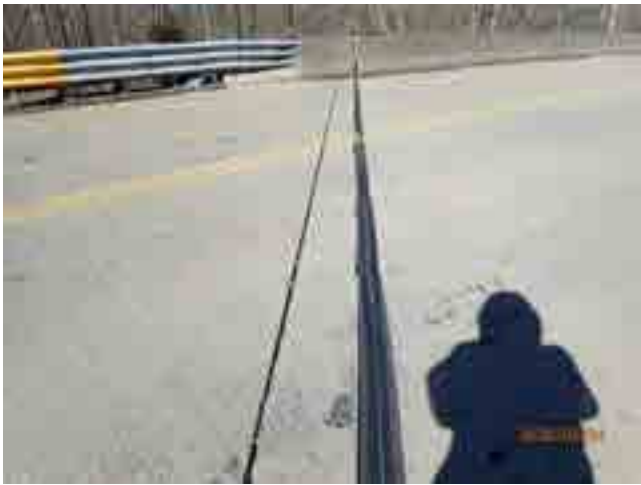
NW COPING SPALLS, LOOKING EAST



NORTH PIER WITH DEBRIS



NORTH EXPANSION JOINT



SOUTH EXPANSION JOINT



SOUTH UNDERSIDE CRACKS



EAST BEAM CRACKS



SEGMENT HEIGHT VARIES



NORTHEAST SHOULDER EROSION



EAST ABUTMENT



SOUTHEAST CORNER EROSION



SOUTHWEST CORNER DECK EFFL.



SW CORNER BEARING DETERIORATION



DOWNSTREAM COPING SPALLS



D/S COPING SPALLS AT NORTH PIER



NORTH PIER BEARING DETERIORATION



NORTH ABUTMENT BEARING



DECK SPALLS AT NORTH PIER



DECK SPALLS AT SOUTH ABUTMENT



UPSTREAM PIER NOSE



DOWNSTREAM PIER NOSE



UPSTREAM, SOUTH SPAN SPALLS



NORTHWEST GUARDRAIL DAMAGE



LOOKING NORTH AT SPALLED SLAB, EXPOSED RESTEEL,



LOOKING SOUTH AT EFFL. IN SOUTH SPAN SLAB



NORTH AT SPALLED SLAB, EXP. RESTEEL, S SPAN



S ABUTMENT BOTT. FTG. EXP.



LOOKING SOUTH AT CRACK IN SIDE OF BEAM 9 WITH



LOOKING NORTH AT HAIRLINE CRACKS IN BEAM 1



LOOKING EAST AT WEST COPING RUSTED CENTERSPAN



LOOKING NE AT EXPOSED EAST FOOTING



LOOKING WEST AT CRACKS IN THE WEST BENT



LOOKING SOUTH AT NORTH SPAN WEST COPING T-BEAM



LOOKING SOUTHEAST AT HEAVY EFFL. ALONG WEST



SOUTH BOX BM DETERIORATION OVER THE PIER



LOOKING WEST DOWNSTREAM



LOOKING WEST AT SEALED CRACK IN BEAM 6



HAIRLINE CRACK ON BOTTOM OF NORTH COPING BEAM



LOOKING NORTH AT AGGREGATION IN WEST SPAN



LOOKING SOUTH AT SCOUR ALONG THE EAST ABUT.



WEST PIER CAP RAVELING



EAST PIER EFFL.



LOOKING WEST AT DAMAGED JOINT MATERIAL



SPALLS IN W GUTTER LINE, WITH EXP. RESTEEL



S AT NORTH SPAN SUPERSTRUCTURE AND DECK



NORTHWEST AT MISSING, DET. OF STONES AT EAST END



NORTH AT SOUTH SPAN SUPERSTR. AND DECK



EAST AT UNDERMINED SW CORNER OF APPR.



NORTH AT DET. AND SETTLING SOUTH ROADWAY APPR.



SOUTH AT PATCHED, DET. SURFACE AT PIER JOINT

FLOYD COUNTY - BRIDGE NO. 22-00051
BLACKISTON MILL RD over SILVER CREEK



S HAIRLINE CRACKS WITH EFFL. ON BTM. OF SLAB



SPALLS, PATCHES, MAP CRACKING ON DECK SURFACE



TOP OF DECK



BEAM 3 EXPOSED STRAP



BEAM 1 SPALL AND SEEPAGE



SOUTHEAST CORNER CRACK



NE BRIDGE WITH OUT BEAM CONTACT



LOOKING AT EAST ABUTMENT



LOOKING AT NE CORNERS



SE BEAM WITH DECK CRACKS



SE BEAM WITH DECK CRACKS



SOUTH ABUTMENT LOSS OF FILL



LOOKING EAST AT MAIN SPAN



LOOKING E AT SPALLS, EXP. RESTEEL ON S COPING



LOOKING WEST AT APPROACH SPANS



LOOKING SOUTH AT EROSION AT NORTHWEST BRIDGE



BLOCKED DECK DRAINS



LOOKING AT DIRT FILLED BRIDGE JOINT

FLOYD COUNTY - BRIDGE NO. 22-00070
SPRING ST over SILVER CREEK



EAST COPING BIT. DROP-OFF



LOOKING WEST FROM ROAD



LOOKING EAST FORM ROAD



HAIRLINE CRACKS ALONG LEGS



CHANNEL SILT AND VEGETATION BUILDUP



EAST ABUTMENT SPALL



NORTHEAST WINGWALL FAILURE



LOOKING SOUTH SPAN REBAR SECTION



LOOKING SOUTHWEST WING RAVELING



LOOKING NORTHWEST CORNER EROSION



DOWNSTREAM COPING RAVELING



NORTHEAST SCOUR



NORTHEAST SHOULDER EROSION



NORTHWEST CORNER EROSION



WEST BRIDGE END DAMAGE



DOWNSTREAM COPING SPALL



LOOKING SOUTH COPING SPALL



LOOKING SOUTH AT COPING SPALL AT POST



LOOKING SOUTH COPING SPALL AT POST CONNECTION



LOOKING EAST AT EAST SLOPE WALL AND BENT



LOOKING SOUTH AT SPALLS, DELAMS. IN CENTER SPAN



LOOKING EAST AT HEAVILY DAMAGED SOUTH JOINT



N SPALLS, PATCHES, AND HEAVY WEAR ON SURFACE



LOOKING SOUTH AT WEB ARCH COPING EFFL.



LOOKING SOUTHEAST AT EXPOSED FOOTING ON PIER



LOOKING NORTH AT LONGITUDINAL CRACK IN PIER



LOOKING NORTH AT SPALL ON EAST COPING PRECAST



LOOKING WEST FROM ROAD



NORTH PIER BEARING SPALL



UPSTREAM FROM BRIDGE



LOOKING EAST AT BOTTOM OF ARCH



LOOKING EAST AT SW CORNER DROP OFF AT PAVEMENT



LOOKING AT SOUTH OPENING OF STRUCTURE



LOOKING WEST AT SPALL IN SECTION



SPALL AT SOUTHWEST WINGWALL CORNER



LOOKING SOUTH AT DAMAGED SW GUARDRAIL END



NW AT BROKEN HEADWALLS, GABIONS ABOVE



LOOKING SOUTH AT SOUTH BENT FOOTING



LOOKING NORTH AT DAMAGED NW APPROACH



SW AT HEAVY EFFL. ON SLAB AND SOUTH ABUT.



LOOKING EAST THROUGH CHANNEL



S AT HEAVY DETERIORATION OF CONCRETE AND BIT.



WEST EFFL. BTWN. THE OUTER E TWO BEAMS



HAIRLINE CRACKS AT SOUTH END OF WEST COPING



HAIRLINE CRACKS AT NORTH OF WEST COPING BEAM



HAIRLINE CRACKS 8" ABOVE BIT. OF THE E COPING BM



LOOKING WEST AT CRACKS IN BOTTOM OF CONCRETE



S HAIRLINE CRACKS, EFFL. RUST STAINS ON W ABT.



EAST AT DAMAGED SOUTHWEST APPROACH RAILING



EAST AT DAMAGED NORTHWEST APPR. RAILING



H'LINE CRACKS IN S ABT. WITH SPALLS AND DELAMS.



WEST AT RIPRAP MOUNDED IN CHANNEL



LOOKING SOUTH AT DAMAGED SOUTH APPROACH

FLOYD COUNTY
INDIANA

APPENDIX C

IN DEPTH INSPECTION
REPORTS

- FRACTURE CRITICAL REPORTS***
- SCOUR CRITICAL REPORTS***

[Click for Table
of Contents](#)



FRACTURE CRITICAL REPORT: FLOYD COUNTY BRIDGE #23 B

Reviewing Owner Representative:

Michael Rowe, P.E.

County Engineer:

Horacio Urieta, P.E.

Bridge Inspection Team Leader

Nicholas J. Kocher, P.E.

Prepared By:

Kyle D. Kent, E.I.



Certified:

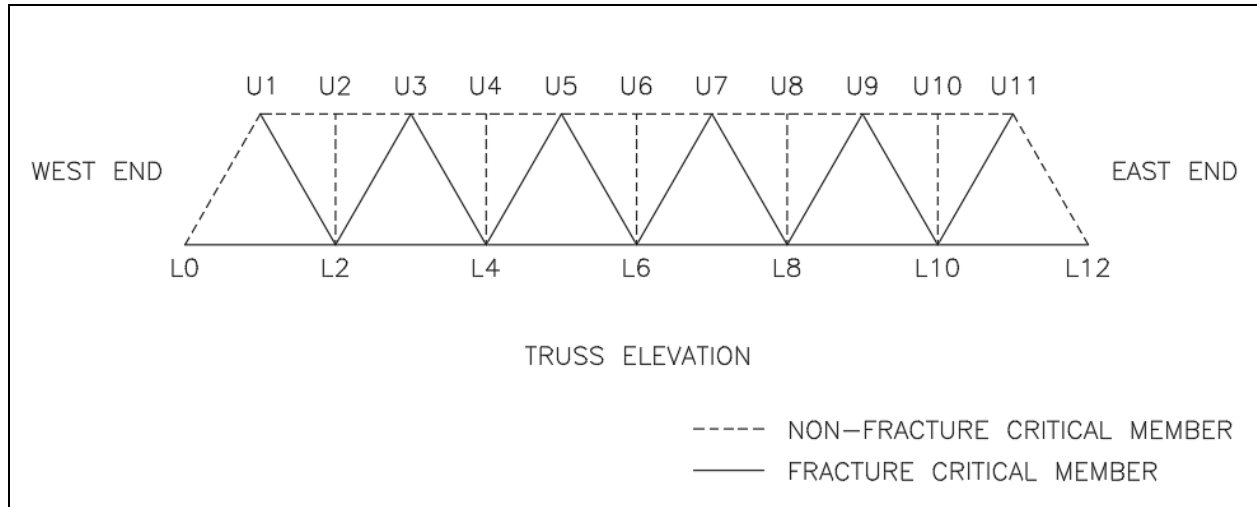
Nicholas J. Kocher

Nicholas J. Kocher, P.E.

Date:

June 1, 2020





I. INTRODUCTION

A. Location and Description

Bridge No. 23 B is located at the intersection of John Pectol Road and Hamby Road. Map location is at C-6. The bridge carries traffic on John Pectol Road over Big Indian Creek. The bridge is located at latitude N38°20'22.63" and longitude W85°58'59.19".

Bridge No. 23 B is a single-span, steel pony truss. The structure has no skew, has a length of 92.0 feet, and a maximum span length of 88.0 feet. The structure has a clear roadway width of 26.0 feet with two lanes of traffic. The average daily traffic was estimated to be 421 vehicles per day in 2016. The bridge has an H rating of 20 tons, an HS Inventory Rating of 36 tons, and an HS Operating Rating of 45 tons.

B. History

Bridge No. 23 B was constructed in 2013, and replaced the previous truss bridge that was built in 1915.

II. FIELD INVESTIGATION

A. Members and Connections to be Inspected

Up-close and visual inspections of all the fracture critical members and connections of the structure were carried out in this inspection.

B. Inspection Procedures

Visual inspections of joints, members, and bearings were performed to locate possible problem areas in the fracture critical members. This was a hands-on inspection due to the relatively small size and difficulty of locating cracks. Debris was cleared that would have prohibited viewing the member or connection in question.

C. Equipment Required for Inspection

Tools and equipment used to inspect each member or connection included a hard hat, safety glasses, wire brush, hammer, awl, plumb bob, level, spade, tape measure, camera, 8' prodding rod, inspection mirror, calipers, and a flashlight. A ladder was used to inspect the upper chord connections and various members, while lower chord connections and other members were inspected by free climbing the lower chord members with safety restraints.

D. Bridge Cleaning Requirements

The bearings and lower chord members contained dirt, dust, and debris. A wire brush and spade were utilized by the inspectors to clean these locations.

E. Traffic Maintenance Requirements

Due to the low vehicular speeds and average daily traffic (ADT) of the bridge, no temporary roadway closures were required. Orange cones were used to inform motorists of the presence of inspectors on the bridge during the inspection.

F. Date and Conditions of Inspection

Date: 04/02/2020

Temperature: 50° F

Conditions: Sunny

Inspection Duration: Four hours

G. Other Items

The original bridge plans are available. The previous inspection field note deficiencies were utilized in order to monitor the developments of these deficiencies at the bridge.

III. SUMMARY OF INSPECTION RESULTS

The overall condition of the truss is considered very good.

A. Connections

All of the connections are in very good condition. Dirt and debris collect on the lower chord at the connections.

B. Members

Most of the members are in very good condition with no major defects noted. Two lower chords on the north truss have flaking steel near the connections.

C. Floor System

The floor beam connections are in good condition. Floor beams and bolted connections exhibit rust lamination typical at all connections. The concrete deck is in excellent condition with no major defects noted.

IV. NBIS CODING INFORMATION

ITEM	CODE	DESCRIPTION
92A	Y24	Fracture Critical Inspection every 24 months
93A	04/02/2020	Inspection Date April 2, 2020

V. SUMMARY OF RECOMMENDATIONS

Programmed Repairs: None currently.

Urgent Repairs: None currently.

Maintenance: Clean lower chord members following flood level storm events.

Plan of Action: The overall superstructure condition is an 8 (very good), thus, a full fracture critical inspection is required every 24 months.

VI. FIELD NOTES

The following rating system was used to rate the fracture critical members and connections:

- 9 Excellent Condition
- 8 Very Good Condition – No noteworthy deficiencies
- 7 Good Condition – Some minor problems
- 6 Satisfactory Condition – Minor structural deterioration
- 5 Fair Condition – Minor section loss
- 4 Poor Condition – Advanced section loss and deterioration
- 3 Serious Condition – Local failures are possible
- 2 Critical Condition – Advanced deterioration of primary elements
- 1 Imminent Failure Condition – Major deterioration; structure should be closed
- 0 Failed Condition – Out of service; bridge condition beyond corrective action

SOUTH TRUSS, MAIN SPAN			
MEMBER	FATIGUE CATEGORY	RATING	REMARKS
L0-L2	B	8	Lower Chord: No major defects noted.
L2-L4	B	8	Lower Chord: No major defects noted.
L4-L6	B	8	Lower Chord: No major defects noted.
L6-L8	B	8	Lower Chord: No major defects noted.
L8-L10	B	8	Lower Chord: No major defects noted.
L10-L12	B	8	Lower Chord: No major defects noted.
L2-U2	B	8	Vertical: No major defects noted.
L4-U4	B	8	Vertical: No major defects noted.
L6-U6	B	8	Vertical: No major defects noted.
L8-U8	B	8	Vertical: No major defects noted.
L10-U10	B	8	Vertical: No major defects noted.
U1-L2	B	8	Diagonal: No major defects noted.
L2-U3	B	8	Diagonal: No major defects noted.
U3-L4	B	8	Diagonal: No major defects noted.
L4-U5	B	8	Diagonal: No major defects noted.
U5-L6	B	8	Diagonal: No major defects noted.
L6-U7	B	8	Diagonal: No major defects noted.
U7-L8	B	8	Diagonal: No major defects noted.
L8-U9	B	8	Diagonal: No major defects noted.
U9-L10	B	8	Diagonal: No major defects noted.

SOUTH TRUSS, MAIN SPAN			
MEMBER	FATIGUE CATEGORY	RATING	REMARKS
L10-U11	B	8	Diagonal: No major defects noted.
U11-L12	B	8	Diagonal: No major defects noted.
L0-U1	B	8	Top Chord: No major defects noted.
U1-U2	B	8	Top Chord: No major defects noted.
U2-U3	B	8	Top Chord: No major defects noted.
U3-U4	B	8	Top Chord: No major defects noted.
U4-U5	B	8	Top Chord: No major defects noted.
U5-U6	B	8	Top Chord: No major defects noted.
U6-U7	B	8	Top Chord: No major defects noted.
U7-U8	B	8	Top Chord: No major defects noted.
U8-U9	B	8	Top Chord: No major defects noted.
U9-U10	B	8	Top Chord: No major defects noted.
U10-U11	B	8	Top Chord: No major defects noted.

SOUTH TRUSS, MAIN SPAN			
CONNECTION	FATIGUE CATEGORY	RATING	REMARKS
L0	B	8	Connection: No major defects noted.
L2	B	8	Connection: No major defects noted.
L4	B	8	Connection: No major defects noted.
L6	B	8	Connection: No major defects noted.
L8	B	8	Connection: No major defects noted.
L10	B	8	Connection: No major defects noted.
L12	B	8	Connection: No major defects noted.
U1	B	8	Connection: No major defects noted.
U2	B	8	Connection: No major defects noted.
U3	B	8	Connection: No major defects noted.
U4	B	8	Connection: No major defects noted.
U5	B	8	Connection: No major defects noted.
U6	B	8	Connection: No major defects noted.
U7	B	8	Connection: No major defects noted.
U8	B	8	Connection: No major defects noted.
U9	B	8	Connection: No major defects noted.
U10	B	8	Connection: No major defects noted.
U11	B	8	Connection: No major defects noted.

NORTH TRUSS, MAIN SPAN			
MEMBER	FATIGUE CATEGORY	RATING	REMARKS
L0-L2	B	7	Lower Chord: Flaking on inner channel near L2.
L2-L4	B	8	Lower Chord: No major defects noted.
L4-L6	B	8	Lower Chord: No major defects noted.
L6-L8	B	8	Lower Chord: No major defects noted.
L8-L10	B	7	Lower Chord: Flaking on outer channel near L8.
L10-L12	B	8	Lower Chord: No major defects noted.
L2-U2	B	8	Vertical: No major defects noted.
L4-U4	B	8	Vertical: No major defects noted.
L6-U6	B	8	Vertical: No major defects noted.
L8-U8	B	8	Vertical: No major defects noted.
L10-U10	B	8	Vertical: No major defects noted.
U1-L2	B	8	Diagonal: No major defects noted.
L2-U3	B	8	Diagonal: No major defects noted.
U3-L4	B	8	Diagonal: No major defects noted.
L4-U5	B	8	Diagonal: No major defects noted.
U5-L6	B	8	Diagonal: No major defects noted.
L6-U7	B	8	Diagonal: No major defects noted.
U7-L8	B	8	Diagonal: No major defects noted.
L8-U9	B	8	Diagonal: No major defects noted.
U9-L10	B	8	Diagonal: No major defects noted.

NORTH TRUSS, MAIN SPAN			
MEMBER	FATIGUE CATEGORY	RATING	REMARKS
L10-U11	B	8	Diagonal: No major defects noted.
U11-L12	B	8	Diagonal: No major defects noted.
L0-U1	B	8	Top Chord: No major defects noted.
U1-U2	B	8	Top Chord: No major defects noted.
U2-U3	B	8	Top Chord: No major defects noted.
U3-U4	B	8	Top Chord: No major defects noted.
U4-U5	B	8	Top Chord: No major defects noted.
U5-U6	B	8	Top Chord: No major defects noted.
U6-U7	B	8	Top Chord: No major defects noted.
U7-U8	B	8	Top Chord: No major defects noted.
U8-U9	B	8	Top Chord: No major defects noted.
U9-U10	B	8	Top Chord: No major defects noted.
U10-U11	B	8	Top Chord: No major defects noted.

NORTH TRUSS, MAIN SPAN			
CONNECTION	FATIGUE CATEGORY	RATING	REMARKS
L0	B	8	Connection: No major defects noted.
L2	B	8	Connection: No major defects noted.
L4	B	8	Connection: No major defects noted.
L6	B	8	Connection: No major defects noted.
L8	B	8	Connection: No major defects noted.
L10	B	8	Connection: No major defects noted.
L12	B	8	Connection: No major defects noted.
U1	B	8	Connection: No major defects noted.
U2	B	8	Connection: No major defects noted.
U3	B	8	Connection: No major defects noted.
U4	B	8	Connection: No major defects noted.
U5	B	8	Connection: No major defects noted.
U6	B	8	Connection: No major defects noted.
U7	B	8	Connection: No major defects noted.
U8	B	8	Connection: No major defects noted.
U9	B	8	Connection: No major defects noted.
U10	B	8	Connection: No major defects noted.
U11	B	8	Connection: No major defects noted.

FLOORBEAMS			
MEMBER	FATIGUE CATEGORY	RATING	REMARKS
FB2	B	7	Floorbeam: Flaking rust on east side 1' from L2, North Truss.
FB4	B	8	Floorbeam: No major defects noted.
FB6	B	7	Floorbeam: Rust lamination at bolts at L6, North Truss.
FB8	B	7	Floorbeam: Flaking rust along bottom flange and bottom of web near L8.
FB10	B	7	Floorbeam: Flaking rust on east side 2.5' from L10, North Truss.

VII. INSPECTION PHOTOS



LOOKING WEST FROM ROAD



LOOKING EAST FROM ROAD



LOOKING SOUTH FROM CHANNEL



LOOKING WEST AT UNDERSIDE DEBRIS



LOOKING AT WEST ABUTMENT



LOOKING NORTH FROM CHANNEL



LOOKING AT SOUTH TRUSS L12



LOOKING AT SOUTH TRUSS L12



LOOKING AT SOUTH TRUSS L6



**LOOKING AT SOUTH TRUSS L6 OUTSIDE
GUSSET PLATE**



LOOKING AT SOUTH TRUSS L12



LOOKING AT NORTH TRUSS L0



LOOKING AT NORTH TRUSS L12



**LOOKING AT NORTH TRUSS L6 WITH RUST
LAMINATION**



LOOKING NORTH UPSTREAM FROM BRIDGE



**LOOKING AT FLOORBEAM 10 AT FLAKING
RUST ON EAST SIDE 2.5' FROM L10, NORTH
TRUSS.**



**LOOKING AT FLOORBEAM 8 AT FLAKING
RUST ON BOTH SIDES 1' FROM L8, NORTH
TRUSS.**



**LOOKING AT L8-L10, NORTH TRUSS AT
FLAKING ON OUTER CHANNEL NEAR L8**



**LOOKING AT FLOORBEAM 2 AT FLAKING
RUST ON EAST SIDE 1' FROM L2, NORTH
TRUSS.**



**LOOKING AT FLOORBEAM 4 AT FLAKING
RUST NEAR SOUTH TRUSS.**



Inspected By: MWB
Date: 3/2/2020

FLOYD COUNTY INVENTORY
BRIDGE # 41
SCOUR FINDINGS

STREAMBED MATERIAL

- Rock

STREAM ALIGNMENT

- Flow along the south abutment. Meandering. Channel bends at greater than 30° upstream

SCOUR COUNTERMEASURES

- None along the abutments. Riprap protecting bank in the Southeast corner

BANK EROSION

- Repaired bank erosion in the Southeast corner

OTHER SCOUR RELATED FINDINGS

- Footing exposed along the South abutment and at the Northwest corner of the North abutment

SCOUR AND FOUNDATION EVALUATION FORM

NBI Number: **2200040**
 Facility Carried: **ST MARY'S RD**

Bridge Number: **22-00041**
 Feature(s) Intersected: **LITTLE INDIAN CREEK**

Date of Last Review or Update: **3/2/2020**

(113A) NBI Scour Evaluation: **3**

Foundation Data	Code	Comments
Abutment Foundation Type	A	N/A
Int. Pier Foundation Type	N	N/A
Soils Information	SOILS INFORMATION IS UNKNOWN. INFORMATION NOT FOUND ON PLANS.	
Design Plans:	PLANS AVAILABLE.	

Scour Monitoring Data	
Is Bridge on a District Monitoring Program?	<input type="text" value="NO"/>
Reason for Monitoring	FOUNDATIONS ARE SPREAD FOOTINGS AND HAS SCOUR WITH THE FULL LENGTH OF THE FOOTING EXPOSED AT THE SOUTH ABUTMENT AND ALONG THE NORTHWEST CORNER OF THE NORTH ABUTMENT.
Who Monitors the Bridge?	FLOYD COUNTY
Long Term Scour Solution	DESIGN SCOUR COUNTERMEASURES SHOULD BE DEVELOPED TO REPAIR THE SCOUR PROBLEMS.
Streambed Material	ROCK
Stream Alignment	FLOW ALONG THE SOUTH ABUTMENT. MEANDERING. THE CHANNEL BENDS AT GREATER THAN 30° UPSTREAM
Scour Countermeasures	NONE ALONG THE ABUTMENTS. RIPRAP PROTECTING THE BANK IN THE SOUTHEAST CORNER
Bank Erosion	REPAIRED BANK EROSION IN THE SOUTHEAST CORNER
Other Scour Related Findings	FOOTING IS EXPOSED ALONG THE SOUTH ABUTMENT AND AT THE NORTHWEST CORNER OF THE NORTH ABUTMENT

SCOUR AND FOUNDATION EVALUATION FORM

NBI Number: **2200040**
 Facility Carried **ST MARY'S RD**

Bridge Number: **22-00041**
 Feature(s) Intersected: **LITTLE INDIAN CREEK**

1. What to Monitor: List substructure units to monitor

VISUAL MONITORING. CHECK AND DOCUMENT WATER SURFACE ELEVATION IN EACH SPAN. DOCUMENT ANY DRIFT AND DEBRIS ACCUMULATION IN THE CHANNEL. TAKE SOUNDINGS ALONG EACH SUBSTRUCTURE FACE.

2. What to Look for: List specific signs indicating a problem

STOP MONITORING WHEN WATER SURFACE ELEVATION IS 2 FEET BELOW THE BOTTOM OF THE BEAM CHORDS. RETURN TO THE BRIDGE WHEN THE WATER LEVEL HAS RETURNED TO NORMAL AND CHECK FOR SCOUR.

3. When to Monitor: List what initiates monitoring

Q100 STORM EVENT PER NOAA: 2.9 INCHES OF RAIN IN THE WATERSHED WITHIN 1 HOUR OR 6.9 INCHES OF RAIN WITHIN 24 HOURS. COUNTY HIGHWAY SUPERINTENDENT WILL REEVALUATE THE SCOUR AT THE BRIDGE AFTER THE TRIGGERED EVENT.

4. Who Monitors: Unit and bridge inspectors; others

1. COUNTY ENGINEER - WILLIAM GIBSON PHONE # 812-948-5490
2. COUNTY INFRASTRUCTURE COORDINATOR - JUSTIN TACKETT PHONE # 812-948-5490
3. COUNTY INSPECTION CONSULTANT - UNITED CONSULTING PHONE # 317-895-2585

5. Describe Monitoring Preparations: Q100 flowline marked on piers, etc.

ROADWAY APPROACHES OVERTOP APPROXIMATELY ONCE A YEAR. THERE IS NO HISTORY OF THE TOP OF BRIDGE DECK OVERTOPPING.

6. Describe Channel Probing/Depth Reading Procedures:

INSPECTION PROCEDURES SHALL FOLLOW PART 4, SUBSECTION 7.2.3 OF THE INDIANA BRIDGE INSPECTION MANUAL.

7. Closing Procedures:

NOTIFY COUNTY DISPATCH. PLACE BARRICADES AND ROAD CLOSURE SIGNS AT APPROACHES AT BOTH ENDS OF THE BRIDGE. PRIOR TO REOPENING, THE BRIDGE MUST BE INSPECTED BY A CERTIFIED BRIDGE INSPECTION TEAM LEADER.

8. Historic Monitoring:

Monitoring Date	Water Level	Cause of Highwater	Comments

9. Miscellaneous:

WEST - TAKE Mt PLEASANT ROAD TO SNEAKVILLE ROAD. TRAVEL EAST ON SNEAKVILLE ROAD.

10. Have Drawings Available: General Plan; Layout; Pier/Abutment

CROSS SECTIONS TAKEN AT UPSTREAM AND DOWNSTREAM BRIDGE COPINGS.



Inspected By: NJK
Date: 3/3/20

FLOYD COUNTY INVENTORY
BRIDGE # 63
SCOUR FINDINGS

STREAMBED MATERIAL

- Granular/soft soils

STREAM ALIGNMENT

- Straight

SCOUR COUNTERMEASURES

- None

BANK EROSION

- Heavy bank erosion upstream and downstream.

OTHER SCOUR RELATED FINDINGS

- North abutment has settled unevenly and has some slight undercutting

FLOYD CO. BRIDGE INVENTORY

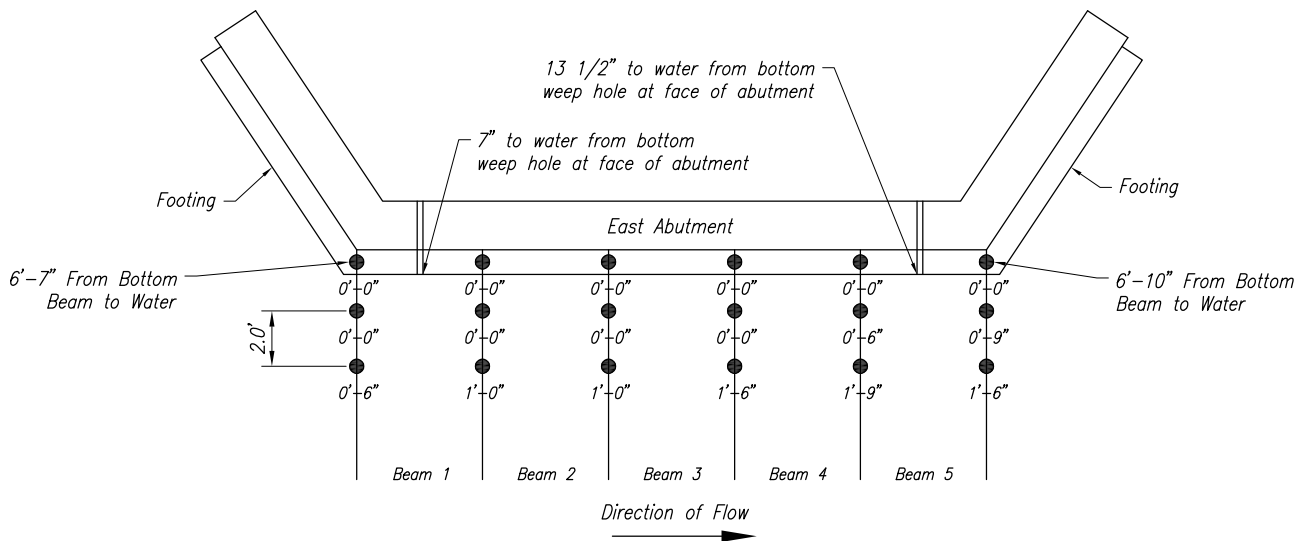
CHANNEL SOUNDINGS

Bridge No. 63

BY NJK DATE 4/2/2020

DRAWN BY DJZ DATE 4/6/2020

1. Provide Depth Soundings referenced to water surface elevation at 4' intervals along each face of substructure unit (where applicable) and at intervals of 4' and 8' away from face of substructure unit. Greater distances may be required for larger scour holes.
2. Indicate direction of flow.
3. Dimension size of scour hole(s) in plan view.
4. Indicate location and limits of undermining.
5. Indicate location of flood debris or other channel obstructions.



BRIDGE No. 63 EAST BENT

SCOUR AND FOUNDATION EVALUATION FORM

NBI Number: **2200057**
 Facility Carried: **FIVE MILE LN**

Bridge Number: **22-00063**
 Feature(s) Intersected: **KNOB CREEK**

Date of Last Review or Update: **4/2/2020**

(113A) NBI Scour Evaluation: **3**

Foundation Data	Code	Comments
Abutment Foundation Type	A	N/A
Int. Pier Foundation Type	N	N/A
Soils Information	SOILS INFORMATION IS UNKNOWN. NO ORIGINAL PLANS AVAILABLE.	
Design Plans:	NO ORIGINAL PLANS AVAILABLE.	

Scour Monitoring Data	
Is Bridge on a District Monitoring Program?	<input type="text" value="NO"/>
Reason for Monitoring	FOUNDATIONS ARE SPREAD FOOTINGS AND HAS SCOUR WITH THE FULL LENGTH OF THE FOOTING EXPOSED AT THE NORTH ABUTMENT. SETTLEMENT HAS BEEN NOTED.
Who Monitors the Bridge?	FLOYD COUNTY
Long Term Scour Solution	DESIGN SCOUR COUNTERMEASURES SHOULD BE DEVELOPED TO REPAIR THE SCOUR PROBLEMS.
Streambed Material	GRANULAR/SOFT SOILS
Stream Alignment	STRAIGHT
Scour Countermeasures	NONE
Bank Erosion	HEAVY BANK EROSION UPSTREAM AND DOWNSTREAM. EROSION BEHIND THE NORTHEAST WINGWALL
Other Scour Related Findings	NORTH ABUTMENT HAS SETTLED UNEVENLY AND HAS SOME SLIGHT UNDERCUTTING

SCOUR AND FOUNDATION EVALUATION FORM

NBI Number: **2200057**
 Facility Carried **FIVE MILE LN**

Bridge Number: **22-00063**
 Feature(s) Intersected: **KNOB CREEK**

1. What to Monitor: List substructure units to monitor

VISUAL MONITORING. CHECK AND DOCUMENT WATER SURFACE ELEVATION IN EACH SPAN. DOCUMENT ANY DRIFT AND DEBRIS ACCUMULATION IN THE CHANNEL. TAKE SOUNDINGS ALONG EACH SUBSTRUCTURE FACE.

2. What to Look for: List specific signs indicating a problem

STOP MONITORING WHEN WATER SURFACE ELEVATION IS 2 FEET BELOW THE BOTTOM OF THE BEAM CHORDS. RETURN TO THE BRIDGE WHEN THE WATER LEVEL HAS RETURNED TO NORMAL AND CHECK FOR SCOUR.

3. When to Monitor: List what initiates monitoring

Q100 STORM EVENT PER NOAA: 2.9 INCHES OF RAIN IN THE WATERSHED WITHIN 1 HOUR OR 6.9 INCHES OF RAIN WITHIN 24 HOURS. COUNTY HIGHWAY SUPERINTENDENT WILL REEVALUATE THE SCOUR AT THE BRIDGE AFTER THE TRIGGERED EVENT.

4. Who Monitors: Unit and bridge inspectors; others

1. COUNTY ENGINEER - WILLIAM GIBSON PHONE # 812-948-5490
2. COUNTY INFRASTRUCTURE COORDINATOR - JUSTIN TACKETT PHONE # 812-948-5490
3. COUNTY INSPECTION CONSULTANT - UNITED CONSULTING PHONE # 317-895-2585

5. Describe Monitoring Preparations: Q100 flowline marked on piers, etc.

ROADWAY APPROACHES OVERTOP APPROXIMATELY ONCE A YEAR. THERE IS NO HISTORY OF THE TOP OF BRIDGE DECK OVERTOPPING.

6. Describe Channel Probing/Depth Reading Procedures:

INSPECTION PROCEDURES SHALL FOLLOW PART 4, SUBSECTION 7.2.3 OF THE INDIANA BRIDGE INSPECTION MANUAL.

7. Closing Procedures:

NOTIFY COUNTY DISPATCH. PLACE BARRICADES AND ROAD CLOSURE SIGNS AT APPROACHES AT BOTH ENDS OF THE BRIDGE. PRIOR TO REOPENING, THE BRIDGE MUST BE INSPECTED BY A CERTIFIED BRIDGE INSPECTION TEAM LEADER.

8. Historic Monitoring:

Monitoring Date	Water Level	Cause of Highwater	Comments

9. Miscellaneous:

WEST - TAKE Mt PLEASANT ROAD TO SNEAKVILLE ROAD. TRAVEL EAST ON SNEAKVILLE ROAD.

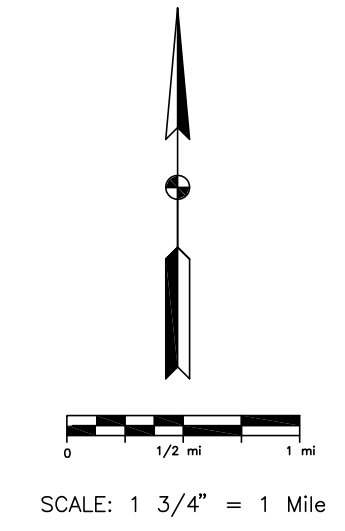
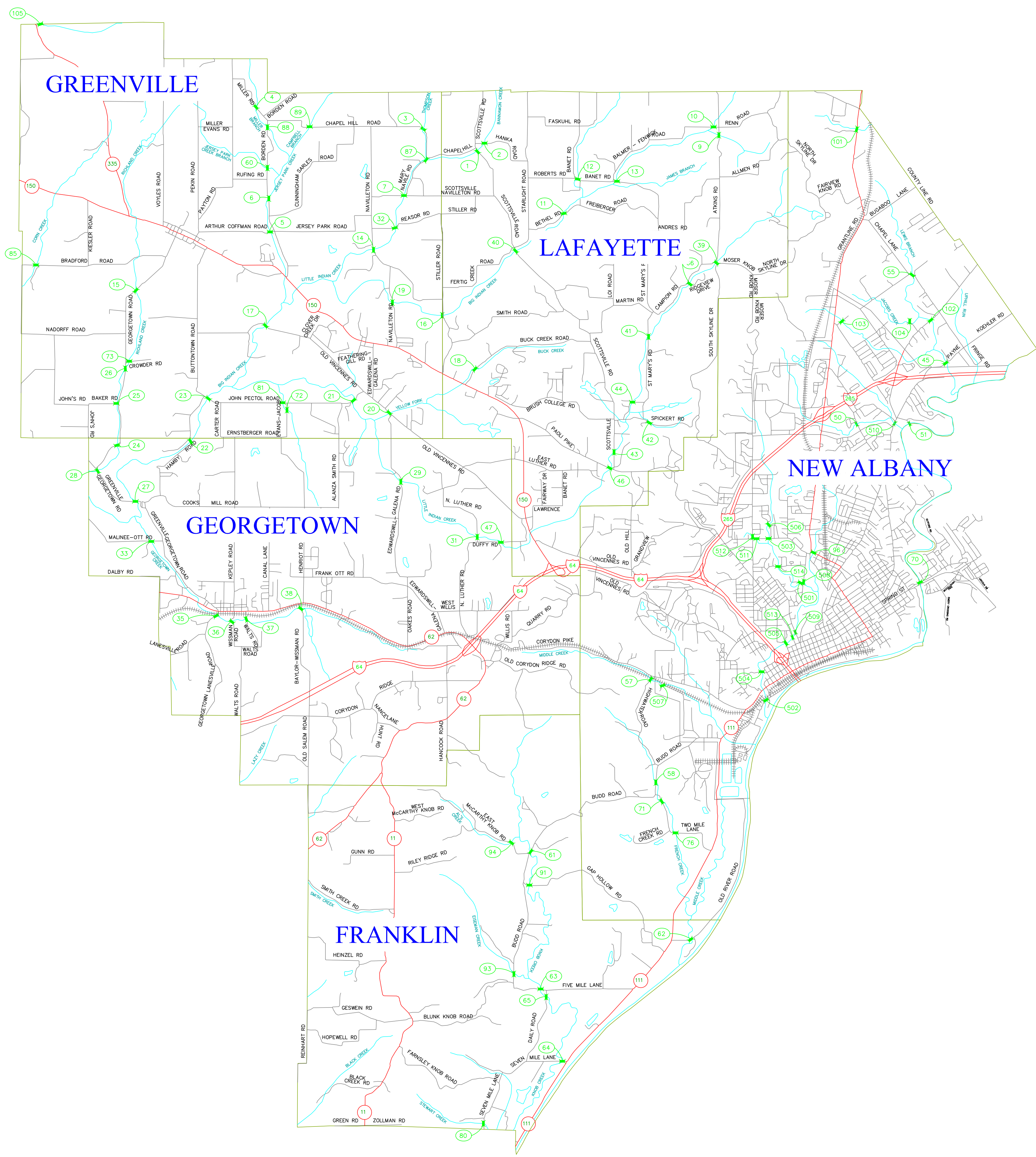
10. Have Drawings Available: General Plan; Layout; Pier/Abutment

CROSS SECTIONS TAKEN AT UPSTREAM AND DOWNSTREAM BRIDGE COPINGS.

A B C D E F G H I J K L M N

1
2
3
4
5
6
7
8
9
10
11
12
13
14
15
16

1
2
3
4
5
6
7
8
9
10
11
12
13
14
15
16



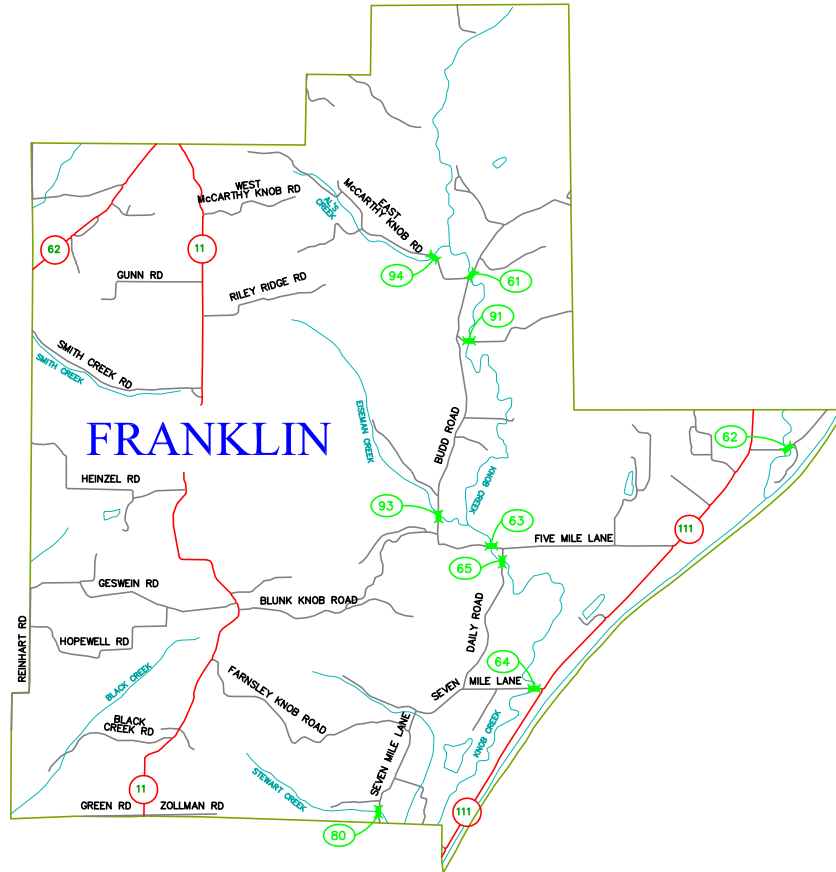
LEGEND
 11 STATE ROAD
 265 INTERSTATE HIGHWAY

FLOYD COUNTY INDIANA 2020 BRIDGE INVENTORY KEY MAP

A B C D E F G H I J K L M N



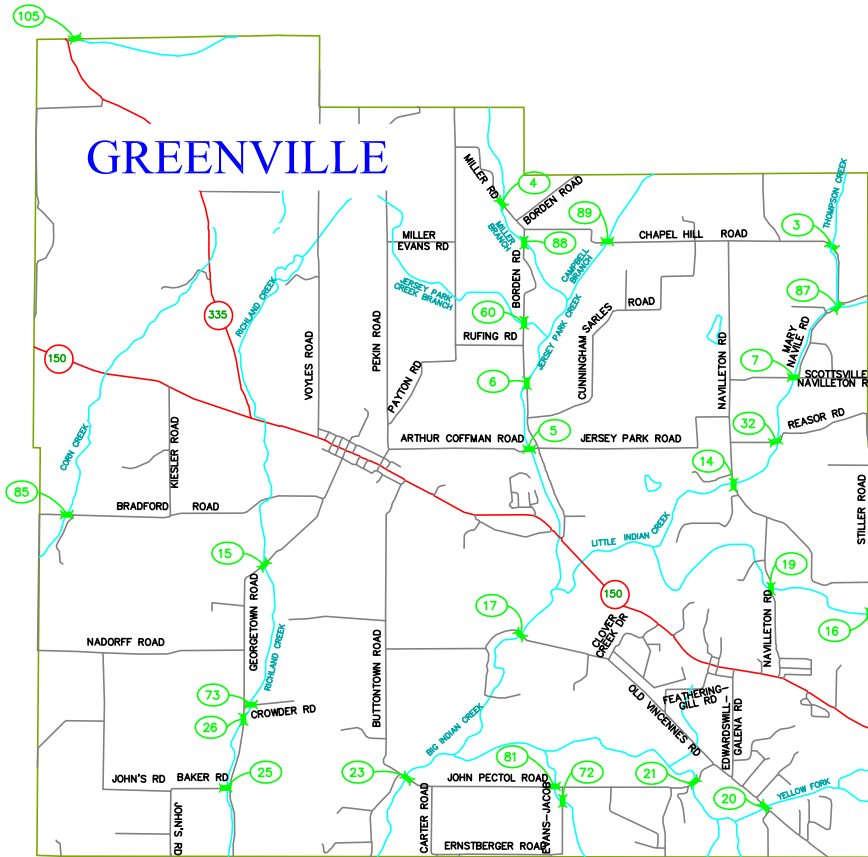
8440 Allison Pointe Boulevard, Suite 200
 Indianapolis, IN 46250
 Phone 317-895-2585
 www.ucindy.com



8440 Allison Pointe Boulevard, Suite 200
Indianapolis, IN 46250
Phone 317-895-2585
www.ucindy.com

FLOYD COUNTY BRIDGE INVENTORY

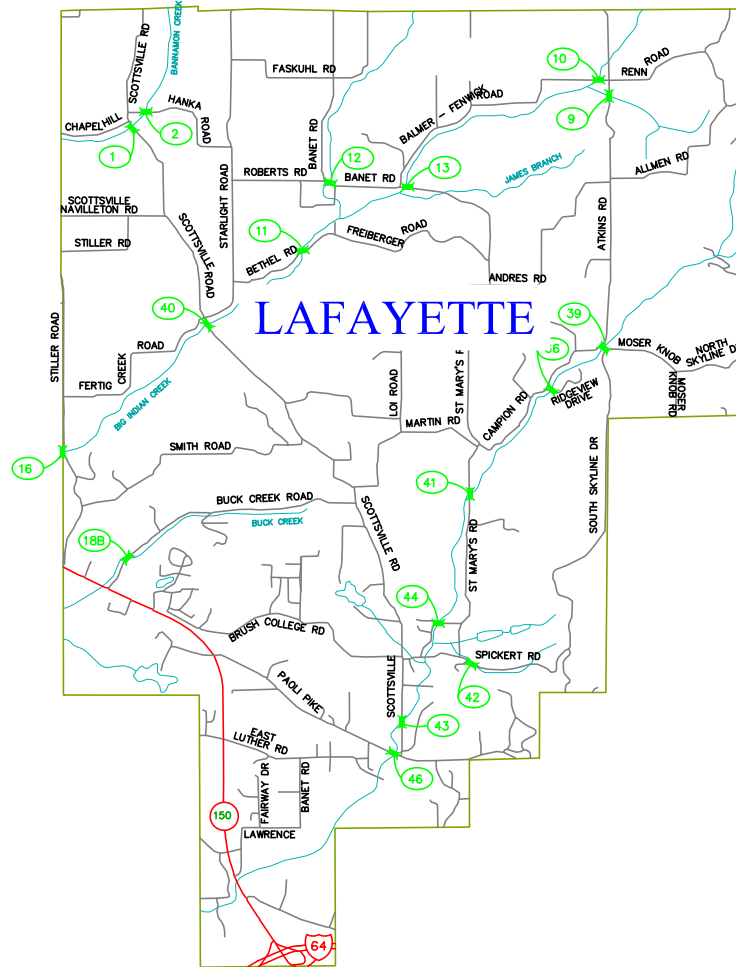
FRANKLIN
TOWNSHIP



8440 Allison Pointe Boulevard, Suite 200
Indianapolis, IN 46250
Phone 317-895-2585
www.ucindy.com

FLOYD COUNTY BRIDGE INVENTORY

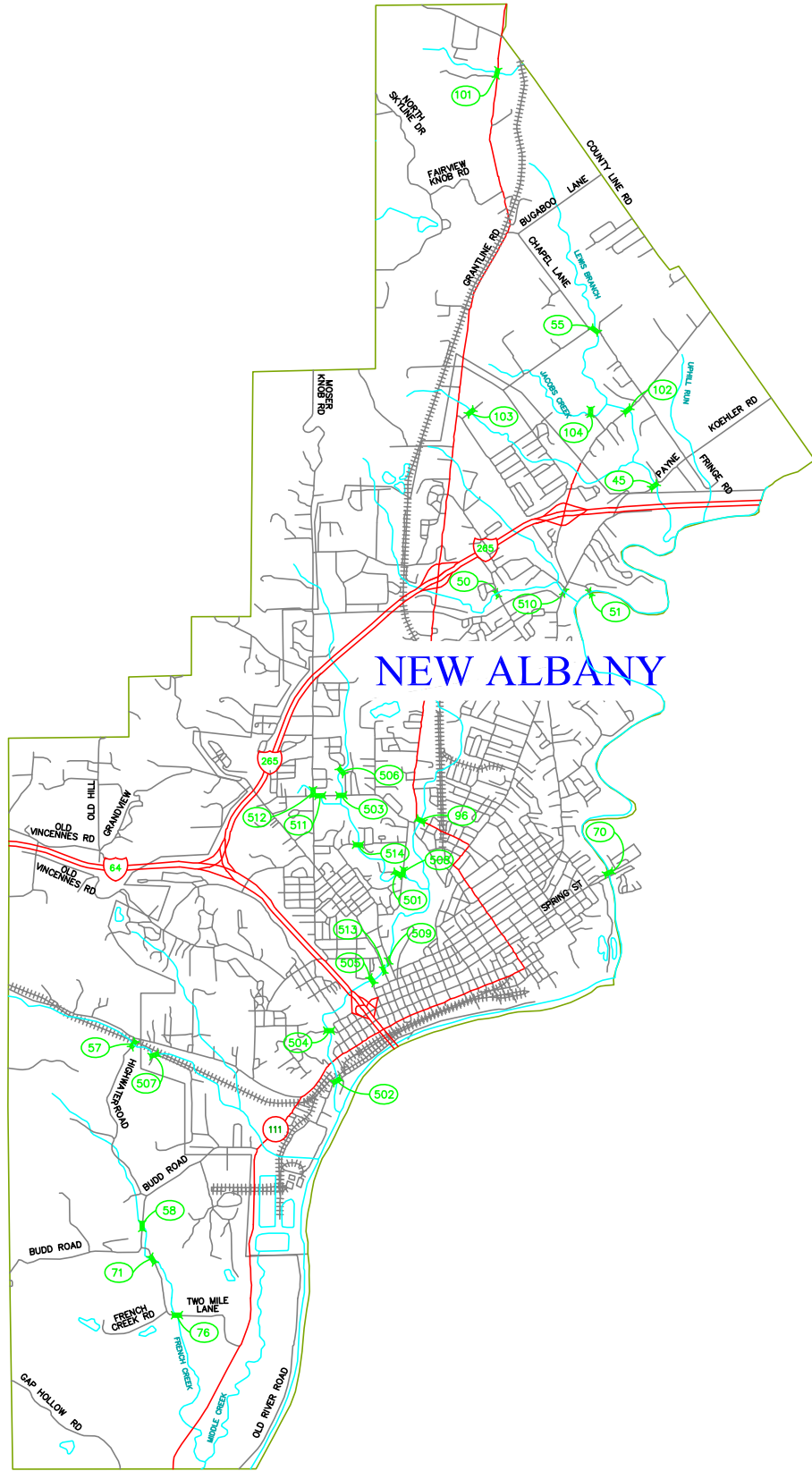
GREENVILLE TOWNSHIP



8440 Allison Pointe Boulevard, Suite 200
Indianapolis, IN 46250
Phone 317-895-2585
www.ucindy.com

FLOYD COUNTY BRIDGE INVENTORY

LAFAYETTE TOWNSHIP



8440 Allison Pointe Boulevard, Suite 200
Indianapolis, IN 46250
Phone 317-895-2585
www.ucindy.com

FLOYD COUNTY BRIDGE INVENTORY

NEW ALBANY TOWNSHIP