

PRIOR TO 2009

- COUNTY SURVEYOR RECORDS INDICATE A MONUMENT WAS FOUND
- COUNTY SURVEYOR RECORDS INDICATE NO EXCAVATION WAS PERFORMED. A MONUMENT WAS SET ON OR BELOW THE SURFACE.

HMA 2009 PROJECT

- A MONUMENT WAS FOUND ON OR BELOW THE SURFACE (NO STONE WAS FOUND AFTER EXCAVATION)
- NO MONUMENT OR STONE WAS FOUND ON OR BELOW THE SURFACE, CORNER MONUMENT TO BE SET
- MONUMENT SET
- MONUMENT FOUND BY EXCAVATION

NOT TO SCALE

**CASS COUNTY,
INDIANA
SECTION
CORNER
PERPETUATION
PROJECT**

**EEL TOWNSHIP
TWP 27N
R-1-E & R-2-E**



www.masurveying.com

RANDALL MILLER & ASSOCIATES (INC)

Surveyors • Engineers • Consultants

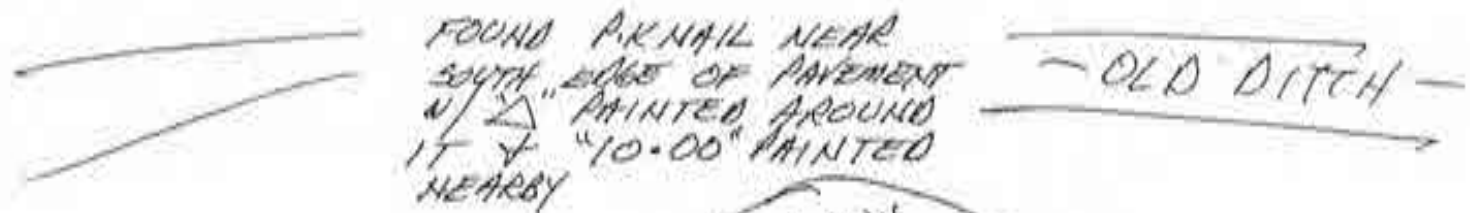
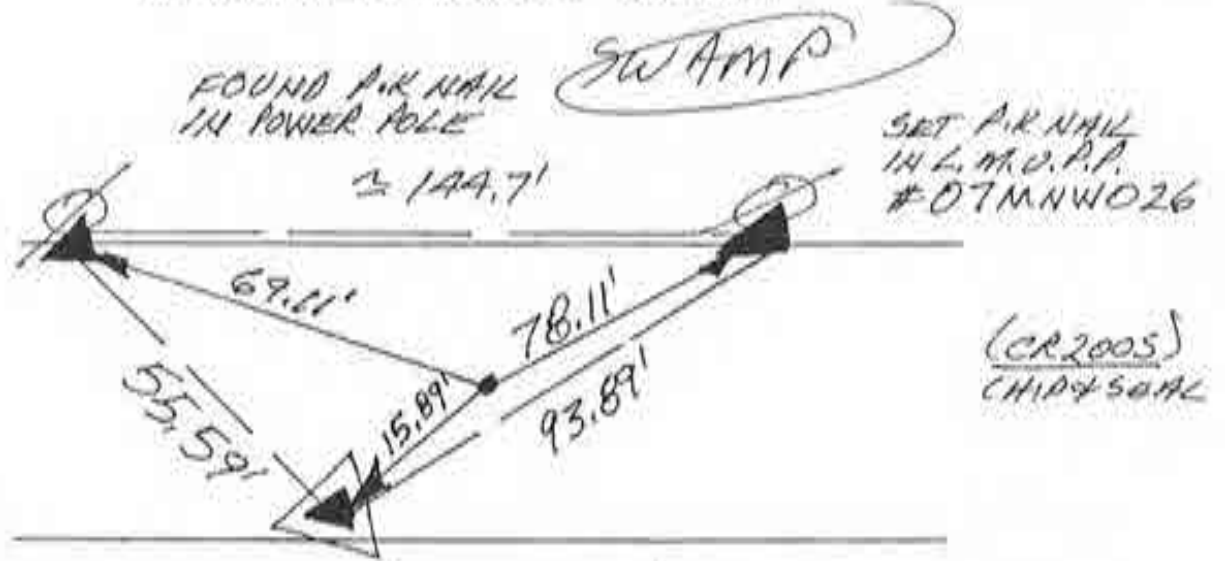
145 E. Third Street
Marion, IN 46952
Ph: (765) 662-1284
Fax: (765) 668-7412
marion@masurveying.com

108 E. Washington St., Ste #5
Muncie, IN 47305
Ph: (765) 289-1917
Fax: (765) 289-1931
muncie@masurveying.com

36 W. Market Street, Ste. J
Wabash, IN 46992
Ph: (260) 563-4467
Fax: (260) 563-0462
wabash@masurveying.com

N
NO SCALE

1. MON 26 AUG '91 DLA RLS 0537 P. MAYER &
 FOUND BOAT SPIKE (4 SET CENTER PUNCH)
 & R/W SPLIT + (AIR PHOTO INTERPRETTED) &
 WEST EDGE OF WILSON FOODS WATER
 TOWER. SPIKE IS $\approx \phi .3'$ DEEP. ALSO FOUND
 P.K NAIL IN POWER POLE TO THE NW. & A P.K NAIL
 IN THE PAVEMENT SW. OF THE FOUND SPIKE
 W/ A TRIANGLE PAINTED AROUND IT, AND
 THE APPARENT STATIONING OF "10.00" - (?).
 SET ANOTHER REF. THIS AREA IS ISOLATED &
 THE ROAD IS BUILT UP (W/ DITCH SPOILS LIKELY)
 $\approx 3'-4'$ WHICH GENERAL PRECLUDES CHANCES
 OF POST OR STONE BELOW. AREA IS GENERALLY
 VEGETATED SWAMP. NO DIG.



WILSON FOODS WATER TOWER
 NW. COR. SEC. 2
 (T26N-R1E)
 Wash.

~~KZ~~

N
↑
NOSCALE

1. MON. 26 AUG '91 OLA RLS 0537 P. MAYER &
FOUND ONLY MANHOLE IN INTERSECTION —
NO VISIBLE MONUMENTS, SOUNDING NO GOOD
DUE TO MANHOLE COVER. + ROAD IS ASPHALT.
∴ NO OIG. POSITION IS @ INTERSECTION
OF WESTST. & CLINTON ST.
→ REQUIRES RETRACEMENTS IN CONGESTED
AREA OF MANY PARCELS — BEYOND SCOPE
OF THIS PROJECT.

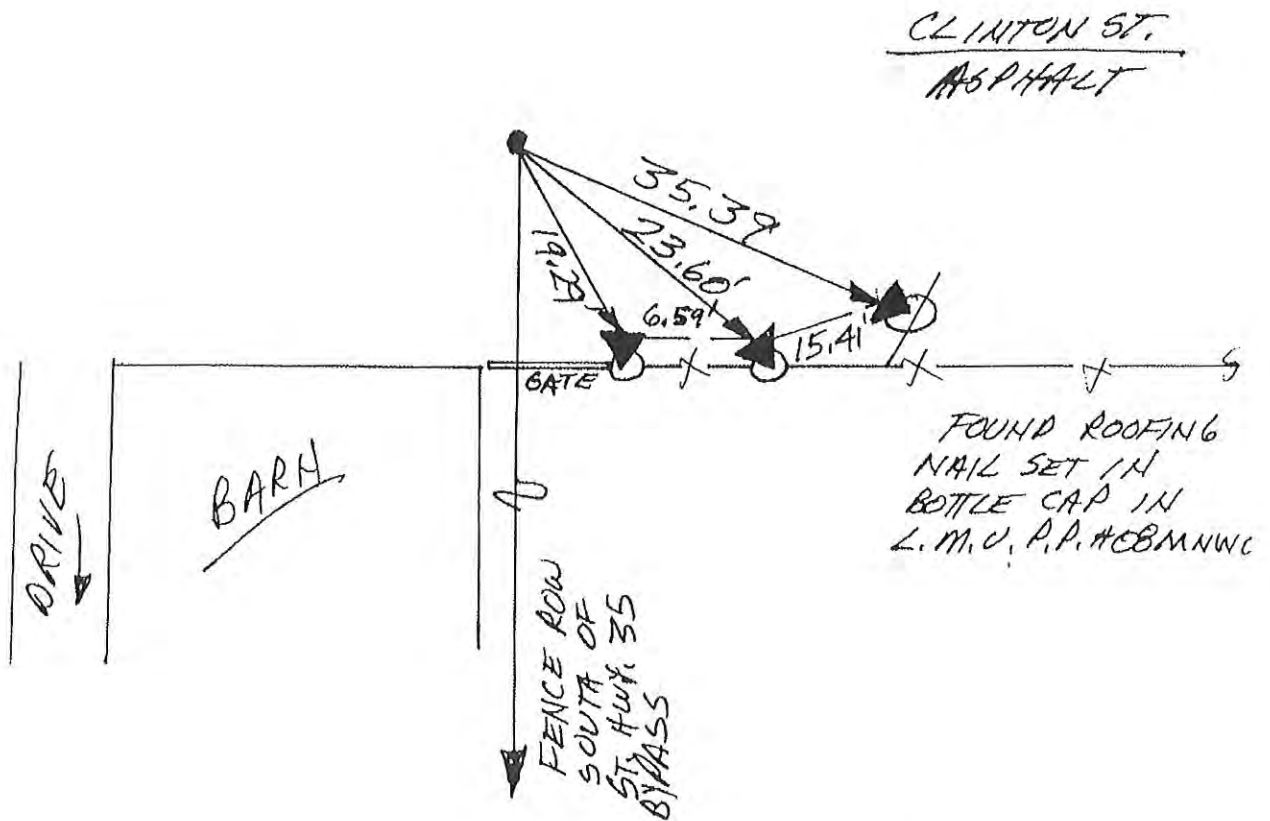
NORTH $\frac{1}{4}$ COR. SEC. 2
(T26N-R1E)

85

12

N
↑
NO SCALE

1. MON. 26 AUG '91 DLA RLS 0537 P. MAYER Ⓞ.
FOUND STRONG, ISOLATED METAL SOUNDING IN
SMALL (2' Ⓞ, 4' Ⓞ) PATCHED HOLE IN PAVEMENT.
SET REF'S; NO CO. HWY. DIG IN ASPHALT. SET
RR. SPIKE W/ CENTER PUNCH DOWN THROUGH LOCALIZED
SOUNDING, & HIT SOME RESISTANCE BELOW.



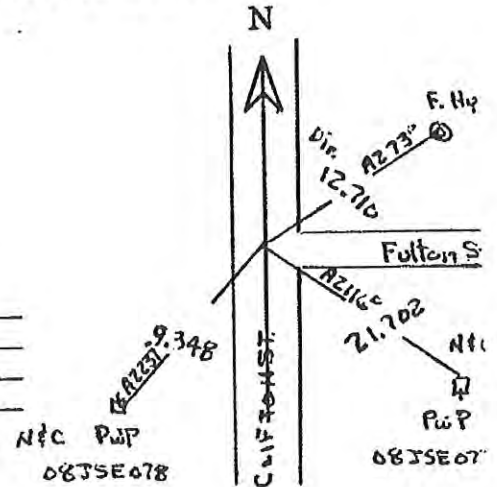
NE. COR. SEC. 2
(T26N-R1E)

Corner N-3 2009 Project

SECTION 24, TOWNSHIP 27N, RANGE 1E
 (Description of Corner Location) APP. S 1/4 COR
EEL RIVER TWP, CASS COUNTY, INDIANA



TYPE OF MONUMENT: PKNF
 DEPTH: 0"
 BY: PARTY 1
 DATE: April 23, 1998

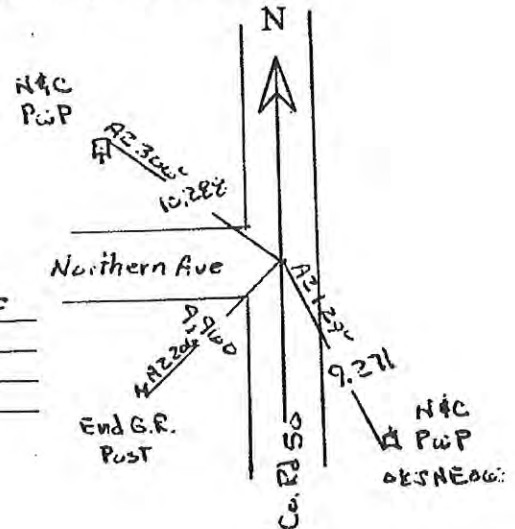


State Form 40180

SECTION 24, TOWNSHIP 27N, RANGE 1E
 (Description of Corner Location) APP CENTER
CASS COUNTY, INDIANA

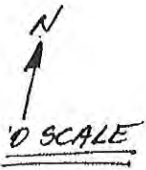


TYPE OF MONUMENT: R.R. SpKF
 DEPTH: 0"
 BY: PARTY #1
 DATE: April 22, 1998

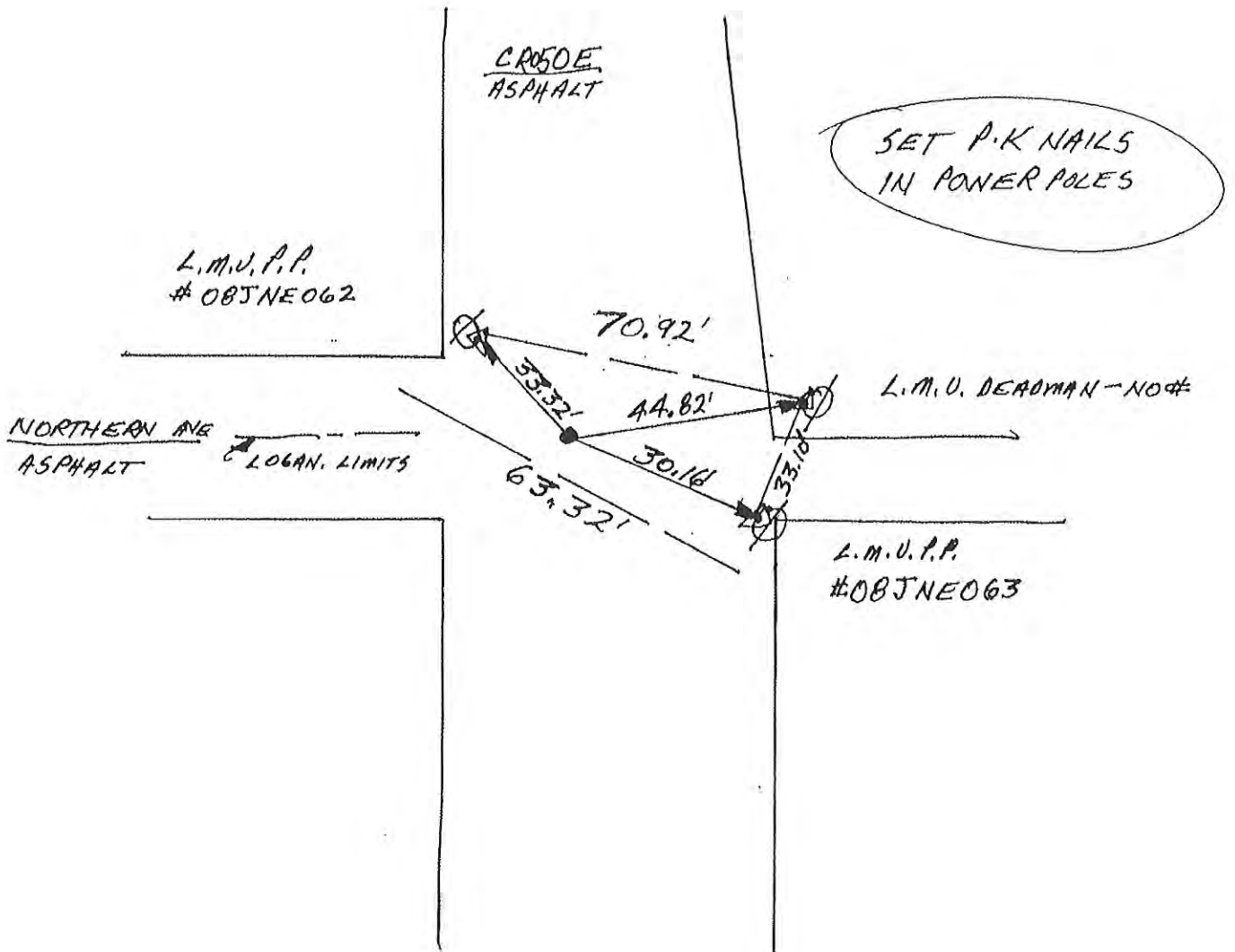


State Form 40180

Corner N-1 2009 Project



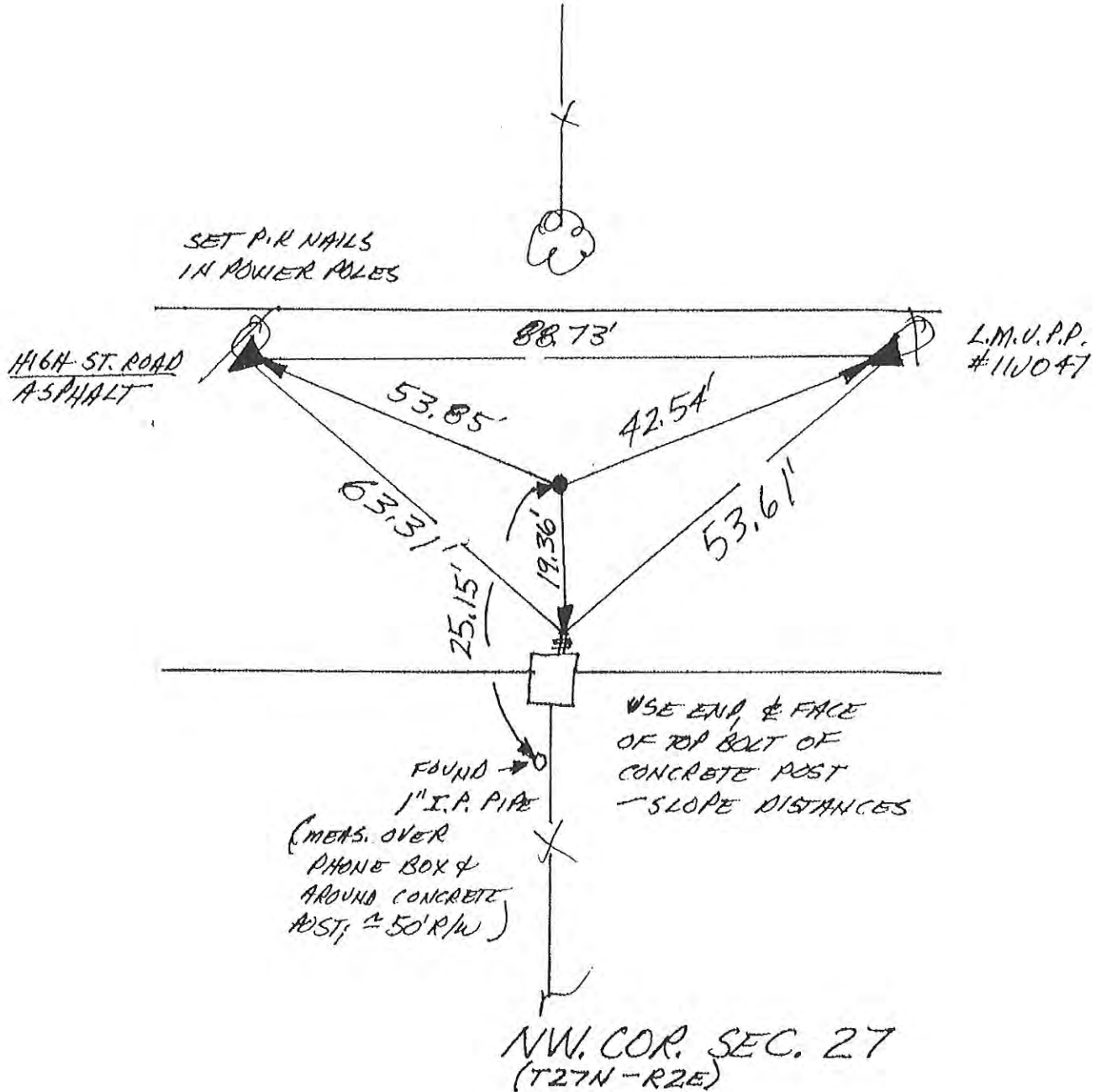
1. WED 10 JAN '90 OLA RLS 0537, F. PANICIO;
 FOUND RR. SPIKE @ R/W SPLIT C ROAD SURFACE;
 CENTER PUNCHED SPIKE & SET REFS.; NEARBY
 BRIDGE, TOWN UTILITIES, & OBVIOUS DEVELOPMENT
 THAT RELIES ON FOUND SPIKE PRECLUDES
 DIG ∴ WILL NOT DIG.



CENTER SEC. 24
 Corner N-1 2009 Project

1. MON. 1. OCT '90 OLA RLS 0537 P. MAHER ϕ .
 FOUND RR. SPIKE (& SET CENTER PUNCH) @ R/W SPLIT +
 FIELD DIVISION; SET REFS; NO CO. HWY. DIB.

SCALE



(SECOND I-10)
 IN MIAMI